



US00D593840S

(12) **United States Design Patent**
Roberts, III

(10) **Patent No.:** **US D593,840 S**
(45) **Date of Patent:** **** Jun. 9, 2009**

(54) **DOOR LEVER**

(75) Inventor: **Rockwood Theodore Roberts, III**,
Carmel, IN (US)

(73) Assignee: **Schlage Lock Company**, Carmel, IN
(US)

(**) Term: **14 Years**

(21) Appl. No.: **29/323,401**

(22) Filed: **Aug. 25, 2008**

(51) **LOC (9) Cl.** **08-06**

(52) **U.S. Cl.** **D8/308**

(58) **Field of Classification Search** D8/300,
D8/301, 307, 308, DIG. 3, DIG. 10; 16/110.1,
16/DIG. 30; 292/336.3, 356; D23/250, 254,
D23/238, 242, 249, 232; 4/675-677; 74/519,
74/543; D99/11; 27/2

See application file for complete search history.

(56) **References Cited**

U.S. PATENT DOCUMENTS

- D73,909 S * 11/1927 Graff D8/308
- D100,904 S * 8/1936 Lemm D8/308
- 2,125,783 A * 8/1938 Heeman 292/347
- D313,542 S 1/1991 Fayerman
- D314,129 S 1/1991 Zanini
- D315,087 S 3/1991 Jans
- D315,487 S 3/1991 Zanini
- D317,706 S 6/1991 Boeri
- D319,000 S 8/1991 Pechar
- D323,101 S 1/1992 Holscher
- D323,610 S 2/1992 Tye et al.
- D328,850 S 8/1992 Marques
- D328,851 S 8/1992 Marques
- D328,852 S 8/1992 Marques
- D329,008 S 9/1992 Marques
- D329,009 S 9/1992 Marques

- D329,188 S 9/1992 Paul
- D332,904 S 2/1993 Plummer et al.
- D339,280 S 9/1993 Bray et al.
- D348,821 S 7/1994 Carsello
- D353,088 S 12/1994 Johansson et al.
- D355,348 S 2/1995 Jans
- D356,484 S 3/1995 Scholl
- D361,488 S 8/1995 Carsello
- D363,205 S 10/1995 Glenn
- D391,826 S 3/1998 Diebel
- D393,584 S 4/1998 D'Andrea et al.
- D393,994 S 5/1998 Hankel et al.
- D395,220 S 6/1998 Klinker
- D406,042 S 2/1999 Klinker

(Continued)

Primary Examiner—Paula Greene

(74) *Attorney, Agent, or Firm*—Michael Best & Friedrich
LLP

(57) **CLAIM**

I claim the ornamental design for a door lever, as shown and
described.

DESCRIPTION

FIG. 1 is a front elevational view of a door lever embodying
the invention.

FIG. 2 is a bottom plan view of the door lever shown in FIG.
1, the top plan view being a mirror image thereof.

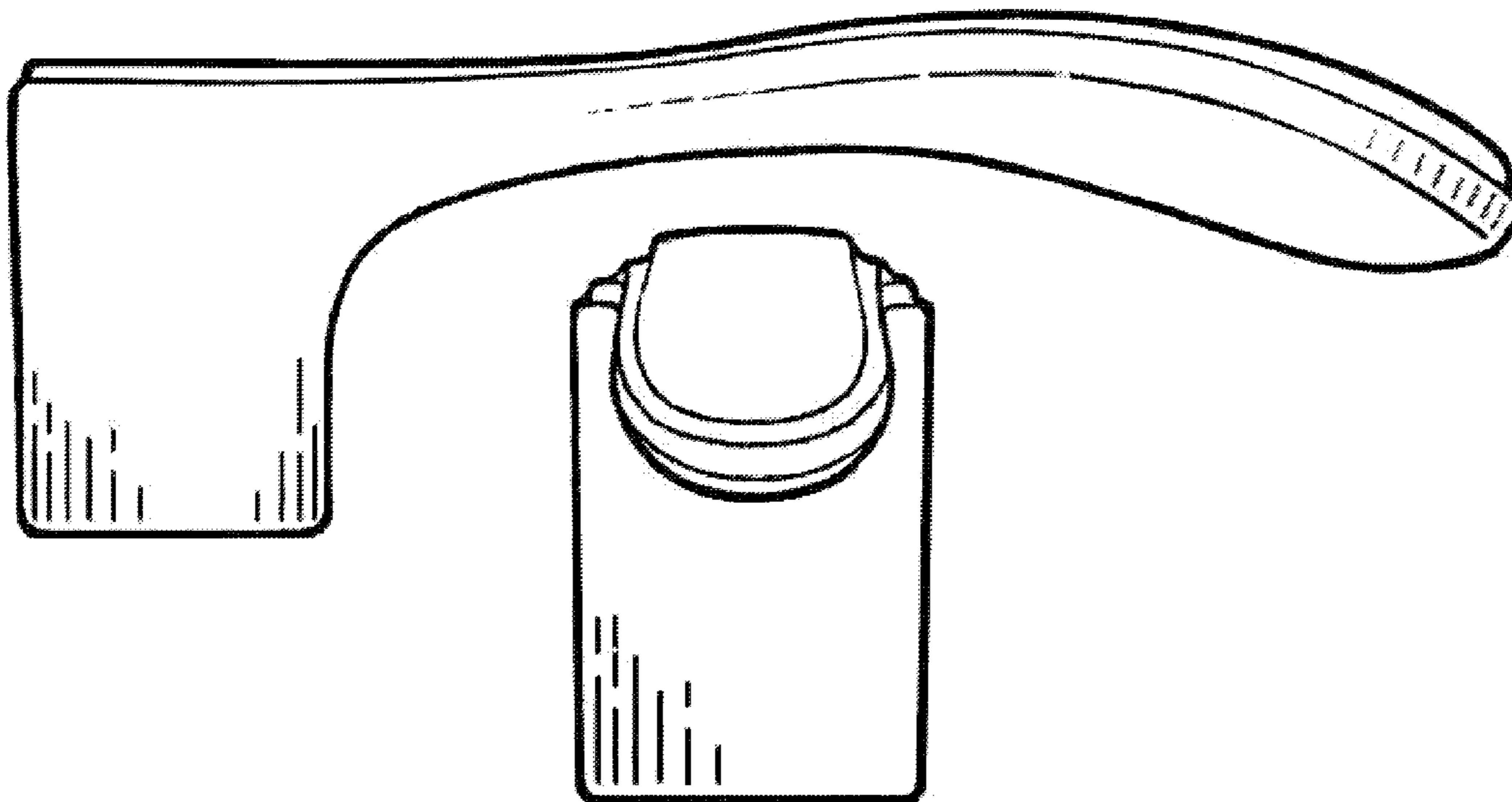
FIG. 3 is a rear elevational view of the door lever shown in
FIG. 1.

FIG. 4 is a left side elevational view of the door lever as shown
in FIG. 2.

FIG. 5 is a right side elevational view of the door lever as
shown in FIG. 2; and,

FIG. 6 is a perspective view of the door lever shown in FIG. 1.

1 Claim, 6 Drawing Sheets



US D593,840 S

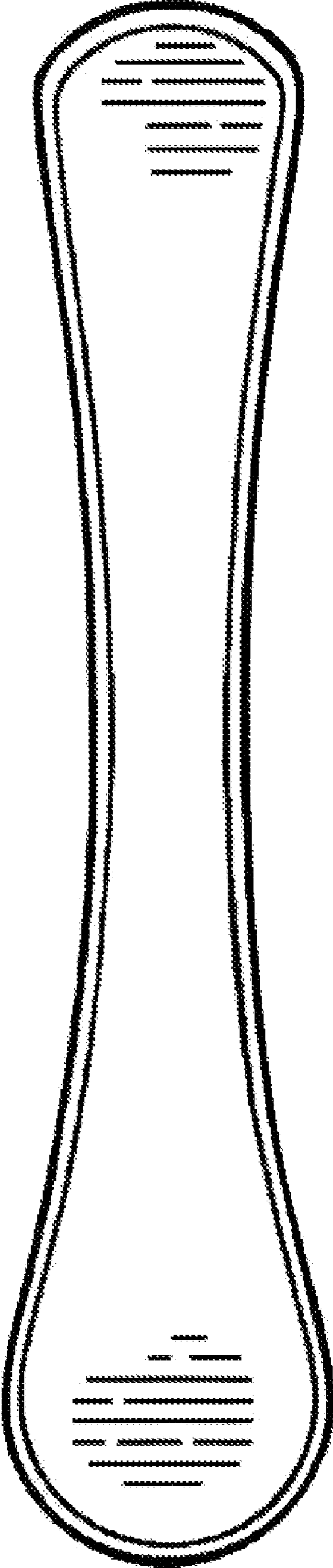
Page 2

U.S. PATENT DOCUMENTS

D423,902 S	5/2000	Libby et al.	D493,088 S	7/2004	Kelly	
D431,173 S	9/2000	Durbin	D493,089 S	7/2004	Samson et al.	
D457,048 S	5/2002	Zoerner et al.	D494,834 S	8/2004	Etlicher	
D457,049 S	5/2002	Zoerner et al.	D495,230 S	8/2004	Madlem et al.	
D457,050 S	5/2002	Caspersz	D568,966 S *	5/2008	Eilmus	D23/250
D457,415 S	5/2002	Caspersz	D581,023 S *	11/2008	Citterio	D23/252
D467,155 S	12/2002	Underhill et al.	D581,489 S *	11/2008	Painter	D23/252

* cited by examiner

FIG 1



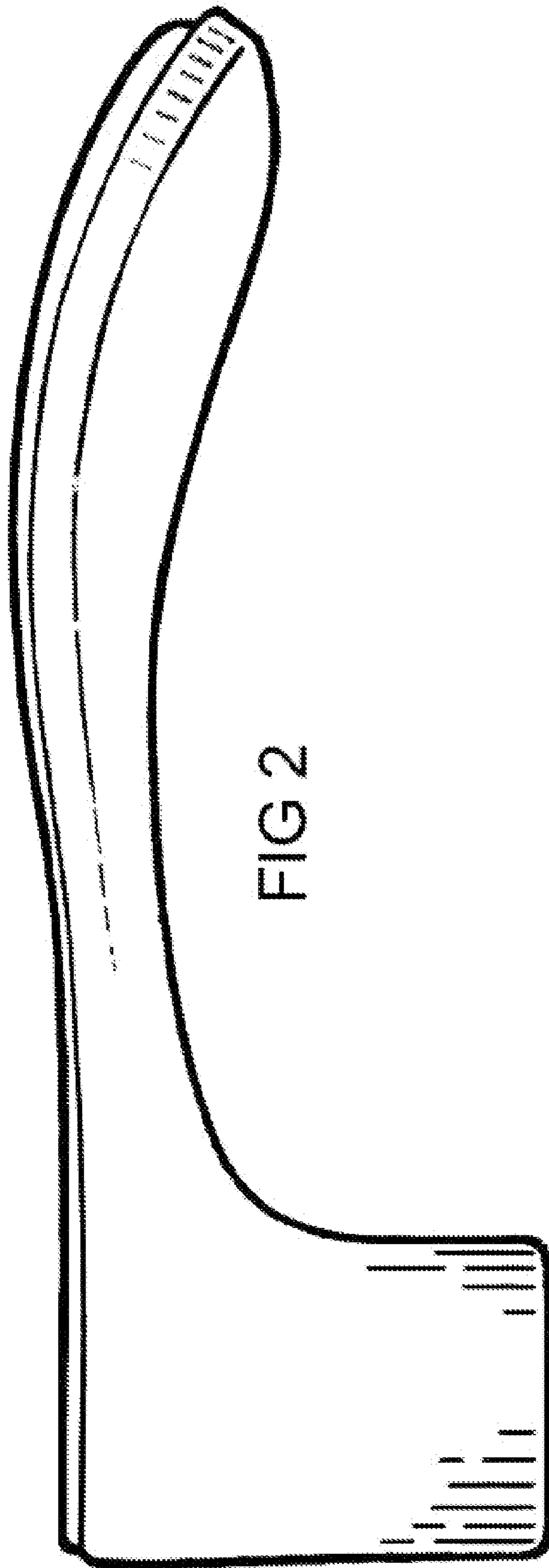


FIG 2

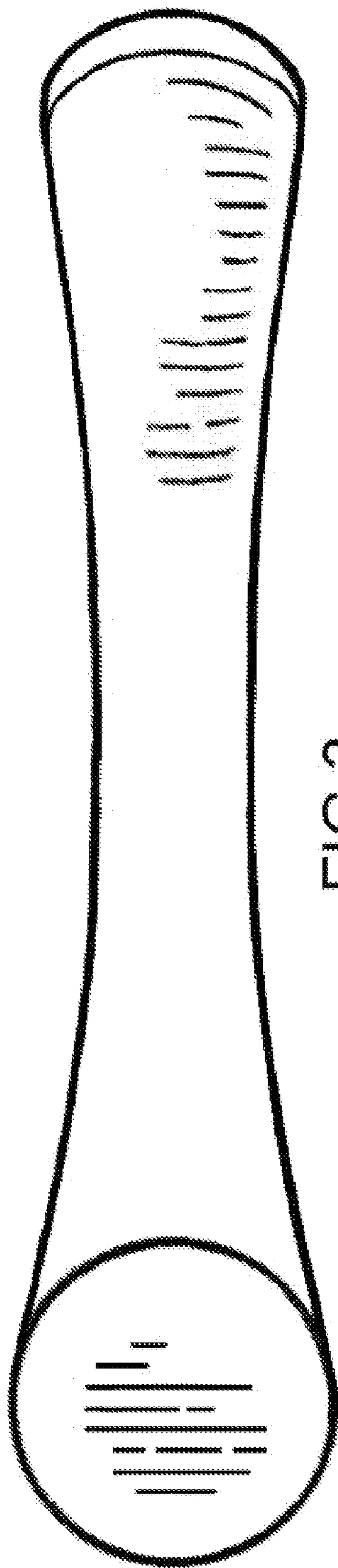
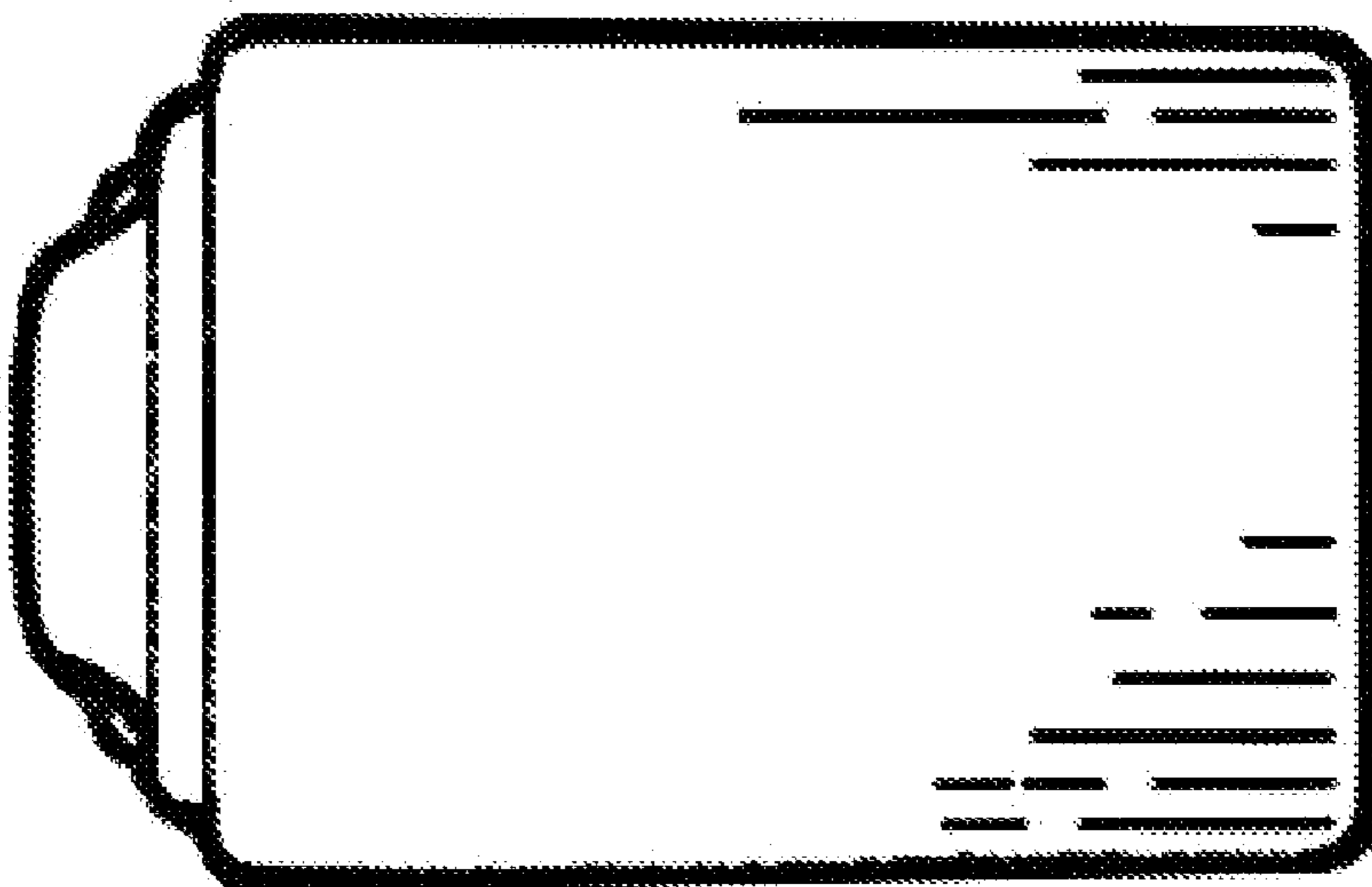


FIG 3

FIG 4



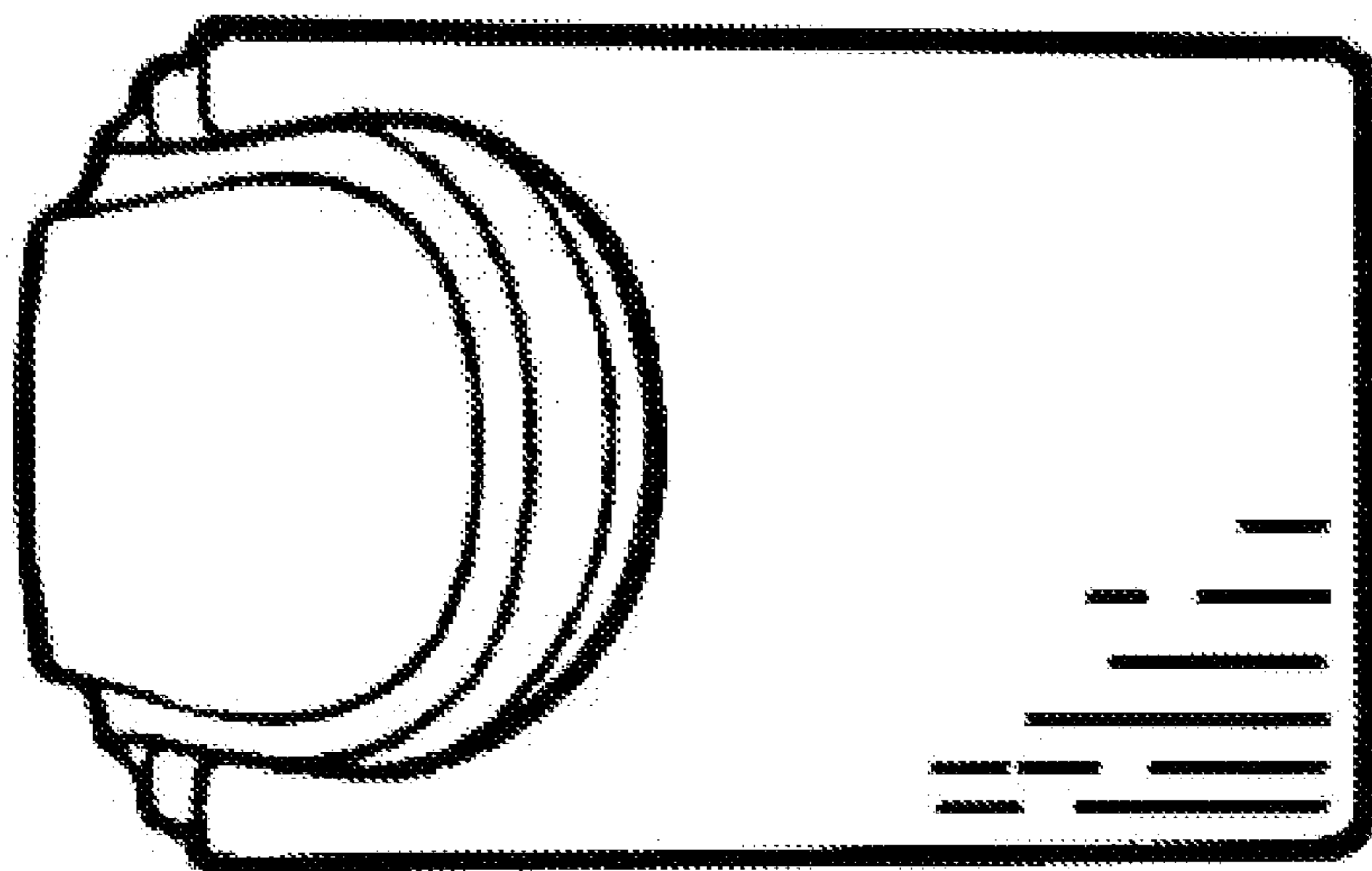


FIG 5

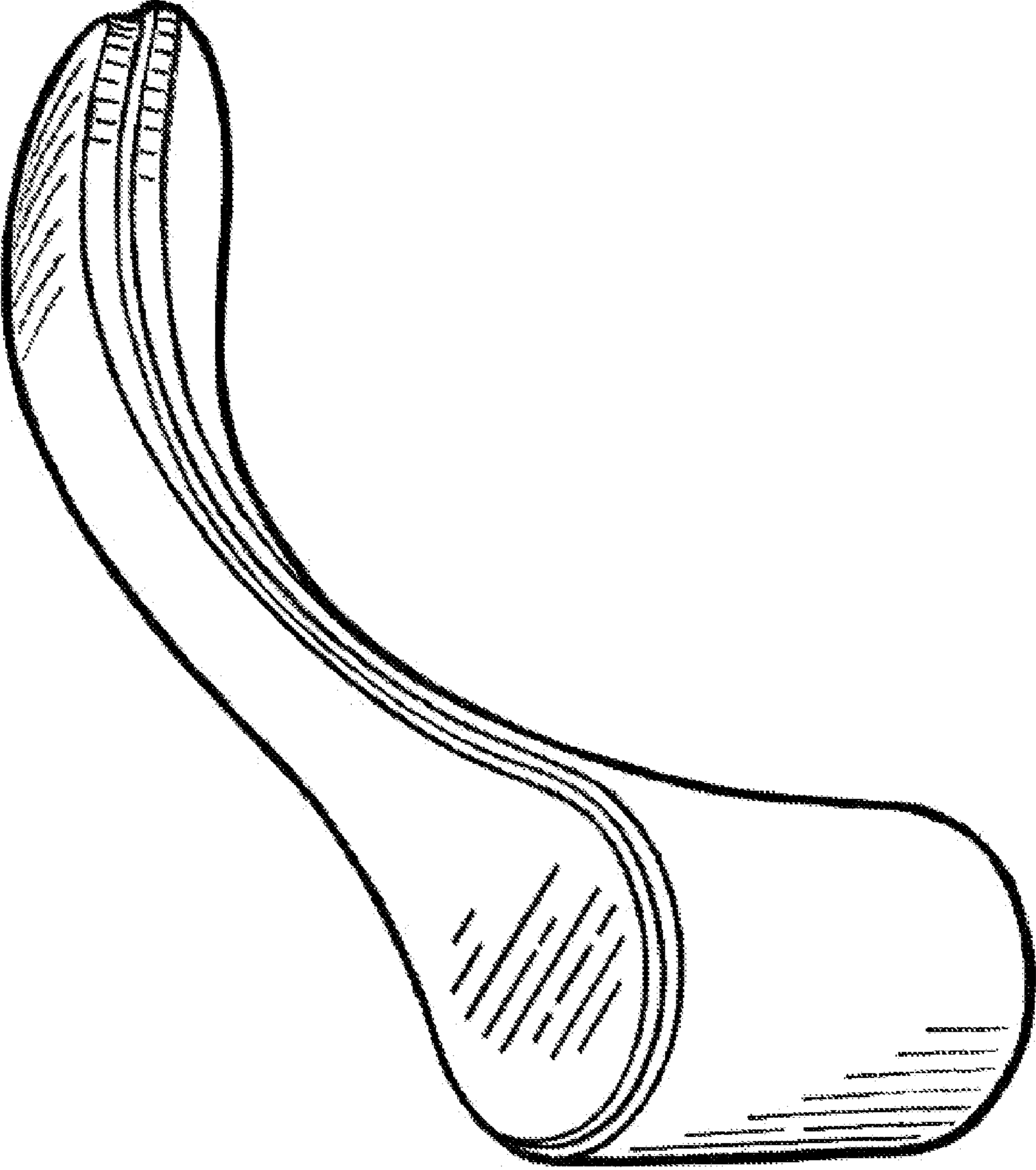


FIG 6