



US00D593837S

(12) **United States Design Patent**  
**Lindskog**

(10) **Patent No.:** **US D593,837 S**  
(45) **Date of Patent:** **\*\* Jun. 9, 2009**

(54) **CROW BAR**

(75) Inventor: **Peter Lindskog**, Göteborg (SE)

(73) Assignee: **Gränsfors Smide i Gnarp AB**, Gnarp (SE)

(\*\*) Term: **14 Years**

(21) Appl. No.: **29/308,954**

(22) Filed: **Jul. 17, 2008**

(30) **Foreign Application Priority Data**

Jan. 18, 2008 (EM) ..... 000860671

(51) **LOC (9) Cl.** ..... **08-05**

(52) **U.S. Cl.** ..... **D8/89**

(58) **Field of Classification Search** ..... D8/14,  
D8/88, 89, 107, 81, 105; 7/166, 144, 145,  
7/146; 254/21, 25, 26, 120, 131

See application file for complete search history.

(56) **References Cited**

**U.S. PATENT DOCUMENTS**

2,087,148 A \* 7/1937 Hempy ..... 254/25

3,219,316 A \* 11/1965 Fried ..... 254/131

D211,755 S \* 7/1968 Yeager ..... D8/89  
D219,258 S \* 11/1970 Frye ..... D8/26  
D220,900 S \* 6/1971 Ziaylek, Jr. .... D8/89  
3,705,430 A \* 12/1972 Ziaylek, Jr. .... 7/147  
D226,162 S \* 1/1973 Ziaylek, Jr. .... D8/81  
3,710,407 A \* 1/1973 Reid ..... 7/144  
D277,359 S \* 1/1985 Schiller ..... D8/89  
D510,852 S \* 10/2005 Cunningham ..... D8/89  
2007/0283503 A1 \* 12/2007 Ryan ..... 7/166

\* cited by examiner

*Primary Examiner*—Philip S Hyder

(74) *Attorney, Agent, or Firm*—Dilworth & Barrese LLP

(57) **CLAIM**

The ornamental design for a crow bar, as shown and described.

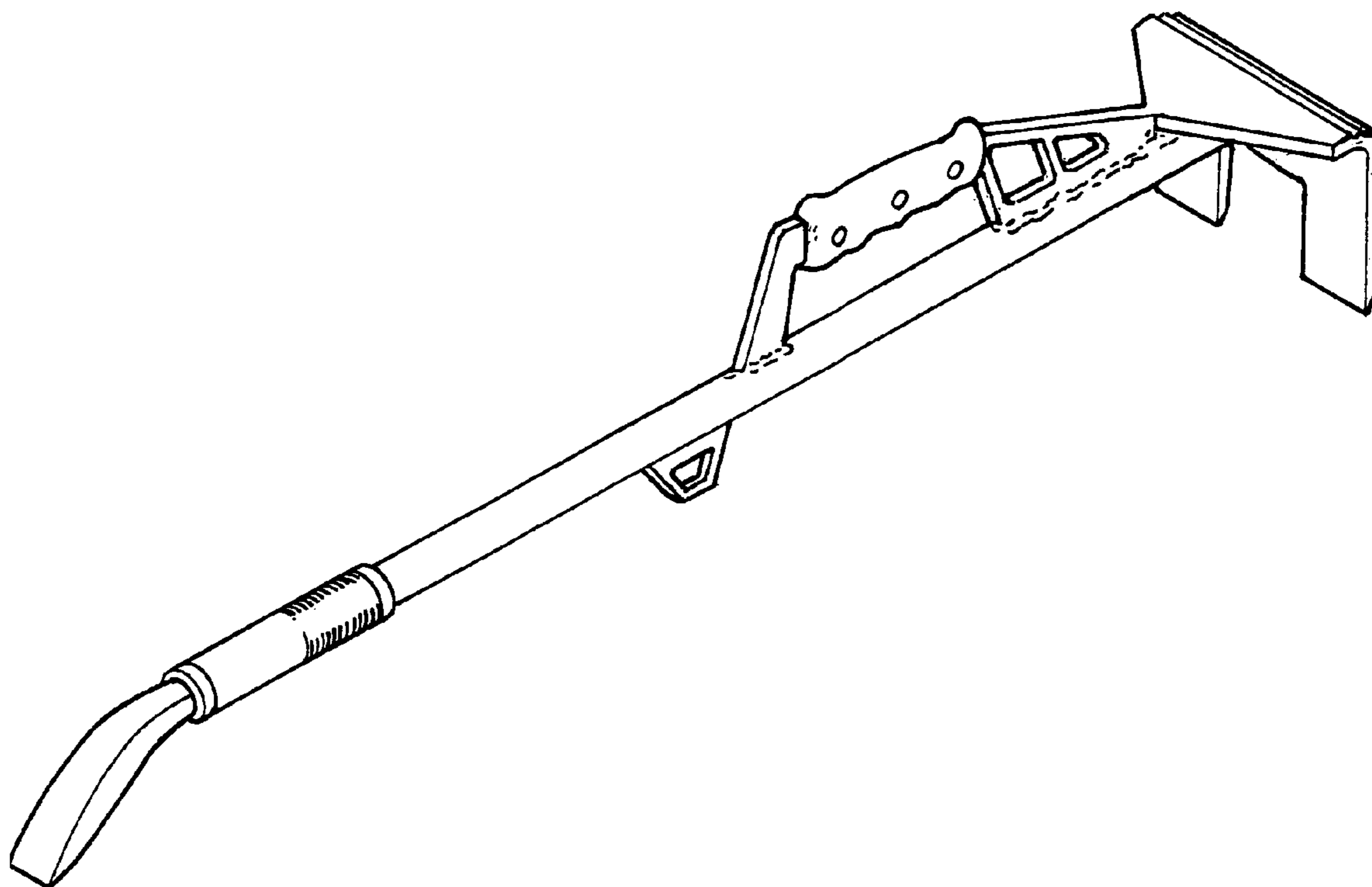
**DESCRIPTION**

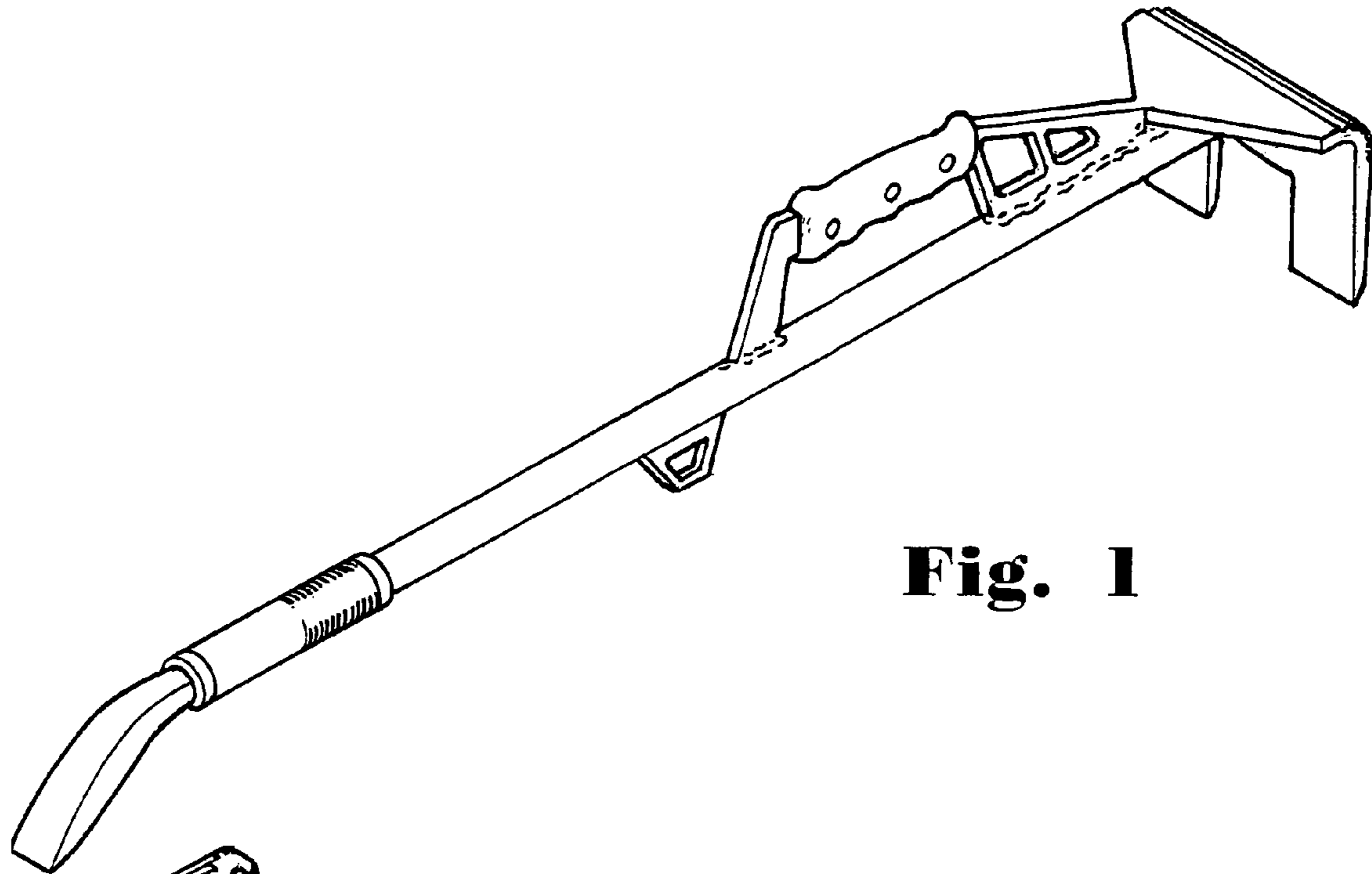
FIG. 1 is a front perspective view from above of the crow bar showing my new design;

FIG. 2 is a rear perspective view from below of the crow bar of FIG. 1; and,

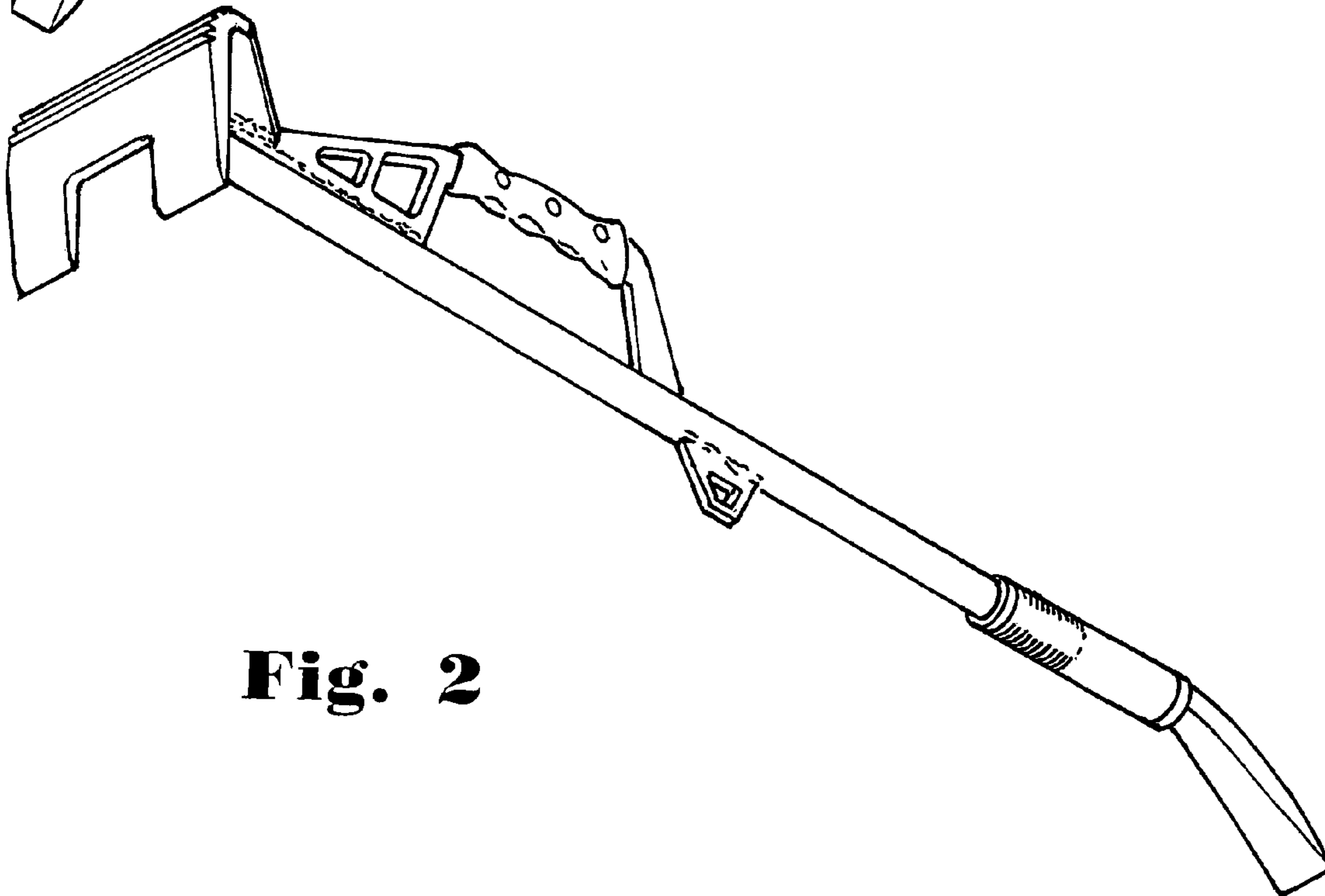
FIG. 3 is a front perspective view from below of the crow bar of FIGS. 1 and 2.

**1 Claim, 2 Drawing Sheets**

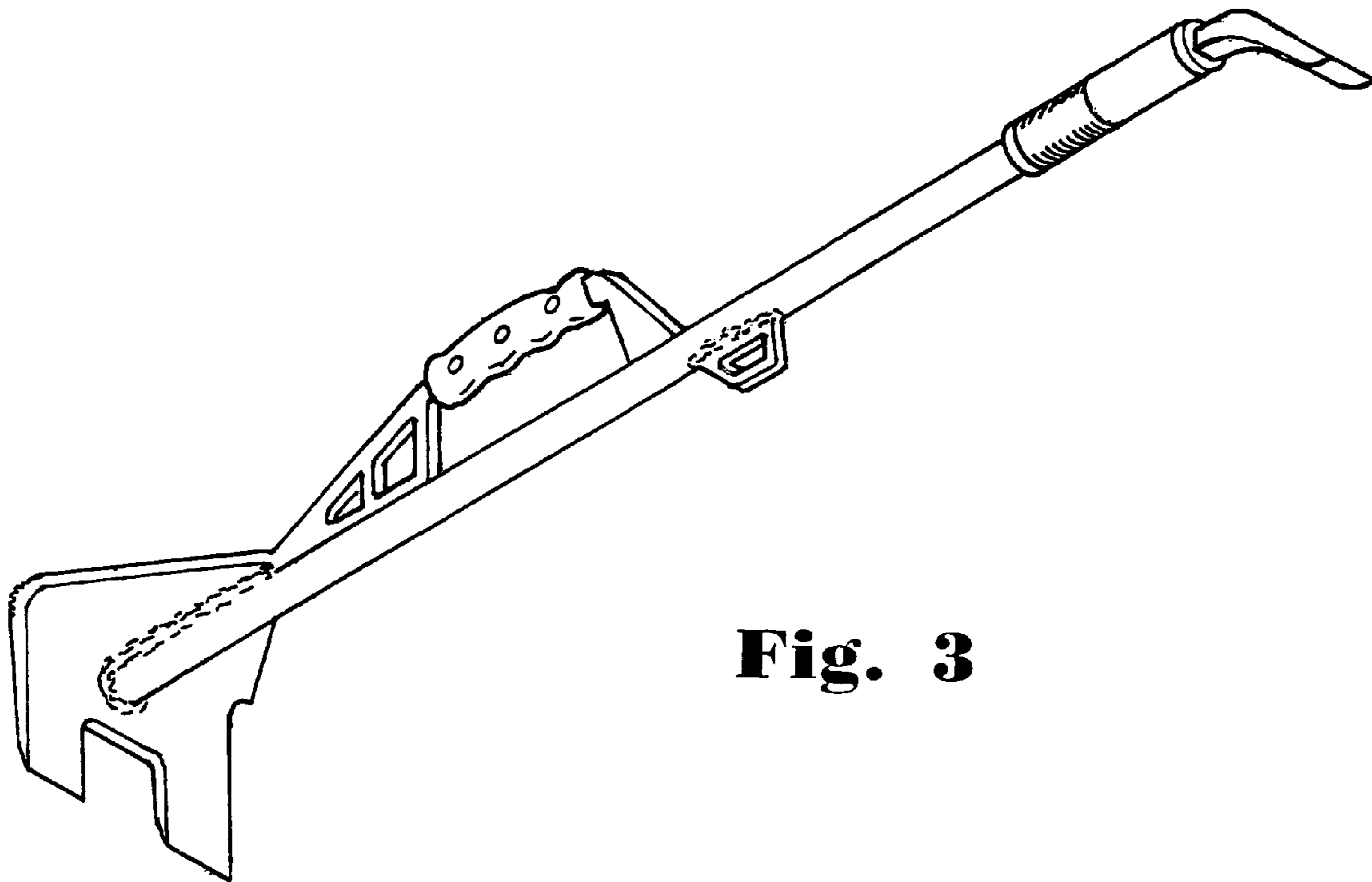




**Fig. 1**



**Fig. 2**



**Fig. 3**