



US00D593832S

(12) **United States Design Patent**
Gillner et al.

(10) **Patent No.:** **US D593,832 S**
(45) **Date of Patent:** **** Jun. 9, 2009**

(54) **ELECTRIC POWER TOOL**

(75) Inventors: **Bengt Gustaf Eric Gillner**, Bromma (SE); **Thomas Jan Hanspers**, Bromma (SE); **Mikael Erik Monsell**, Arsta (SE)

(73) Assignee: **Atlas Copco Tools AB**, Nacka (SE)

(**) Term: **14 Years**

(21) Appl. No.: **29/324,750**

(22) Filed: **Sep. 19, 2008**

(30) **Foreign Application Priority Data**

Mar. 19, 2008 (SE) 2008/0157

(51) **LOC (9) Cl.** **08-05**

(52) **U.S. Cl.** **D8/69**

(58) **Field of Classification Search** D8/61-69;
81/57.11, 429, 464, 465, 466, 469, 489; 173/13,
173/169, 178, 213, 217; 227/8, 114, 120,
227/130, 136, 142; 310/50; 408/20, 124,
408/125, 234, 241 R; 451/358

See application file for complete search history.

(56) **References Cited**

U.S. PATENT DOCUMENTS

D302,646 S * 8/1989 Sasaki et al. D8/68

D333,767 S * 3/1993 Sasaki et al. D8/69
D396,789 S * 8/1998 Murray D8/68
D466,780 S * 12/2002 Stirm D8/69
6,543,549 B1 * 4/2003 Riedl et al. 173/216
D535,861 S * 1/2007 Snowball D8/69

* cited by examiner

Primary Examiner—Antoine D Davis

(74) *Attorney, Agent, or Firm*—Frishauf, Holtz, Goodman & Chick, P.C.

(57) **CLAIM**

The ornamental design for an electric power tool, as shown.

DESCRIPTION

FIG. 1 is a left side, front, top perspective view of an electric power tool showing our new design;

FIG. 2 is a left side, rear, top perspective view thereof;

FIG. 3 is a left side view thereof;

FIG. 4 is a right side view thereof;

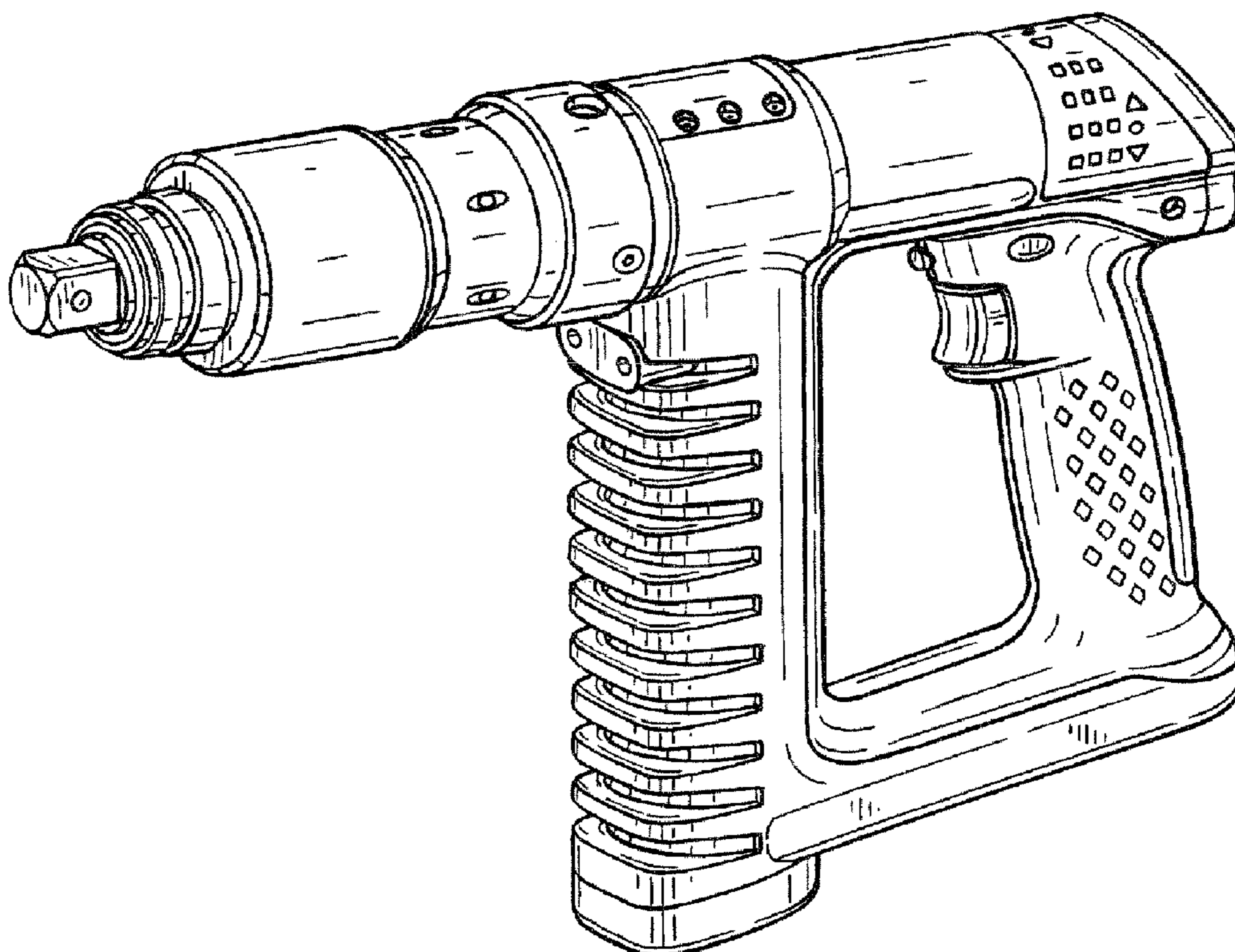
FIG. 5 is a rear end view thereof;

FIG. 6 is a front end view thereof;

FIG. 7 is a top plan view thereof; and,

FIG. 8 is a bottom plan view thereof.

1 Claim, 4 Drawing Sheets



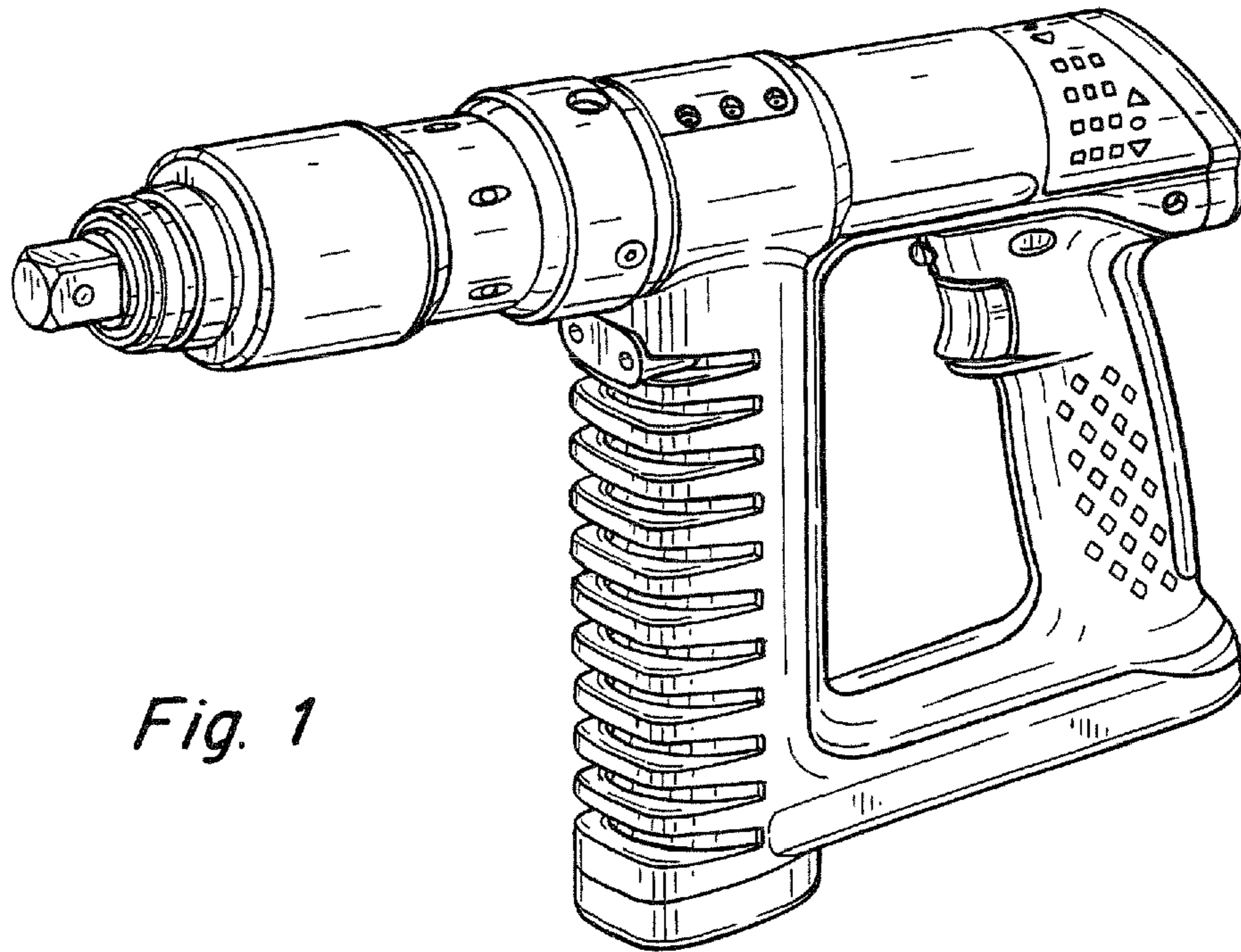


Fig. 1

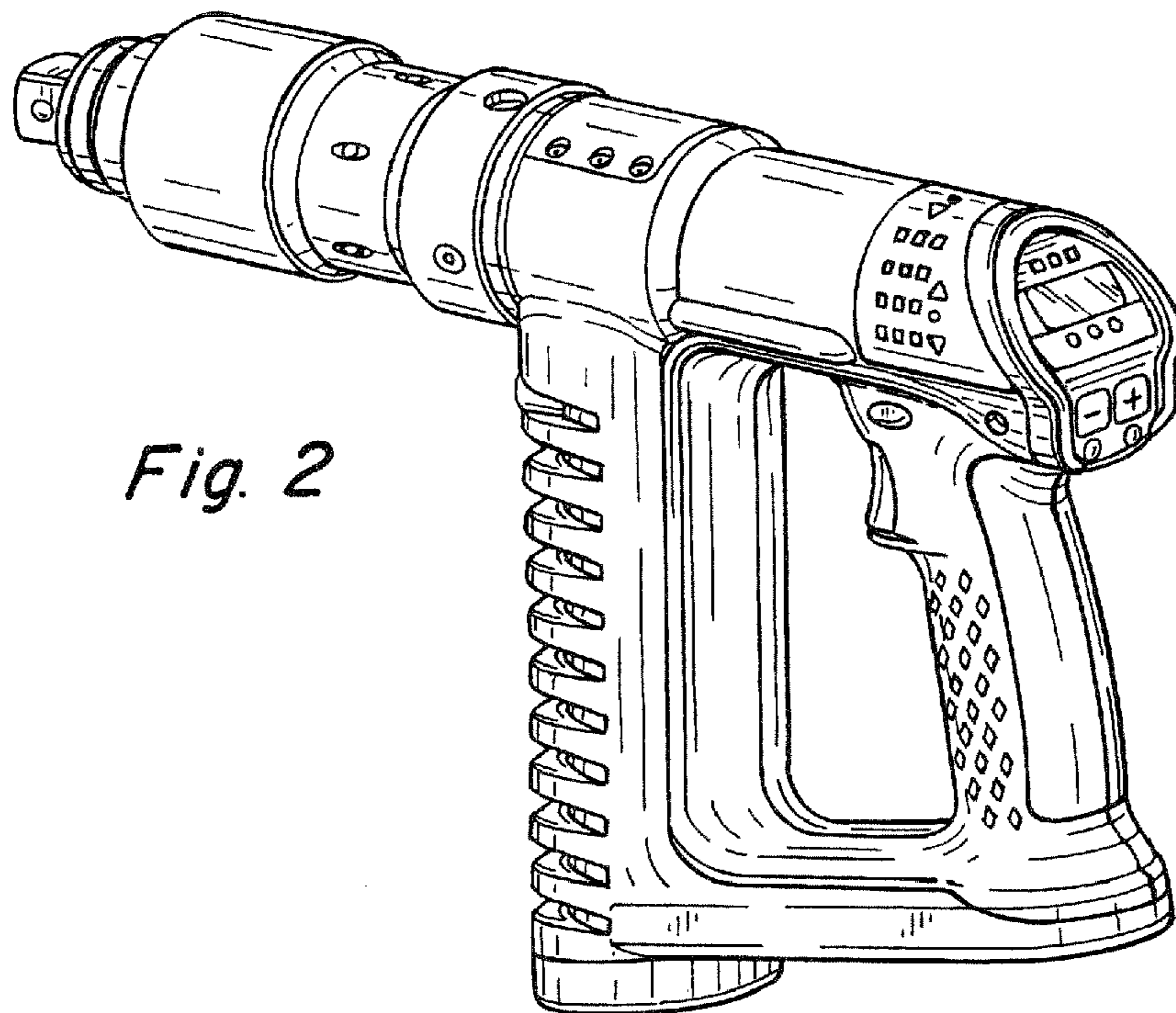


Fig. 2

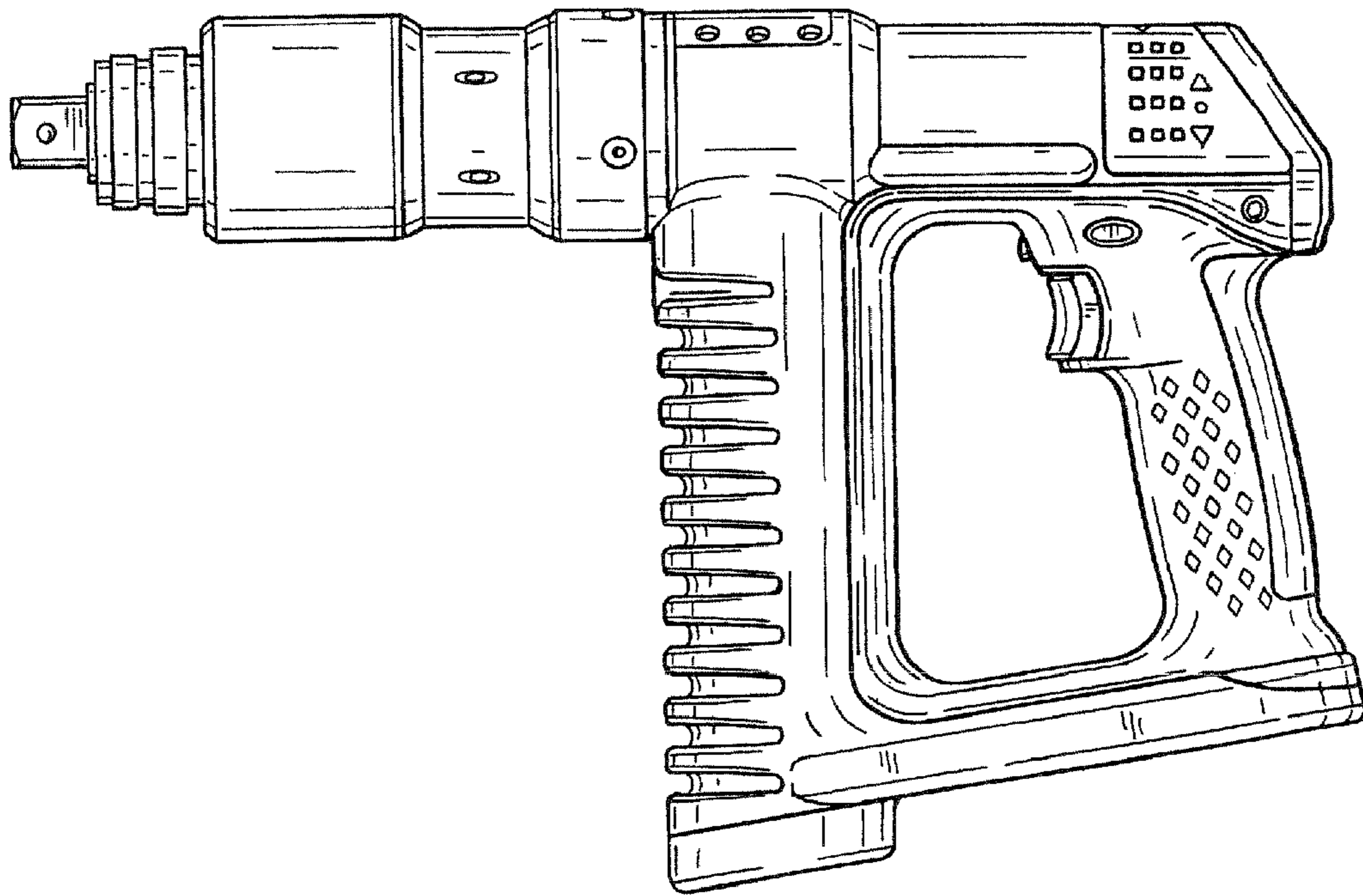


Fig. 3

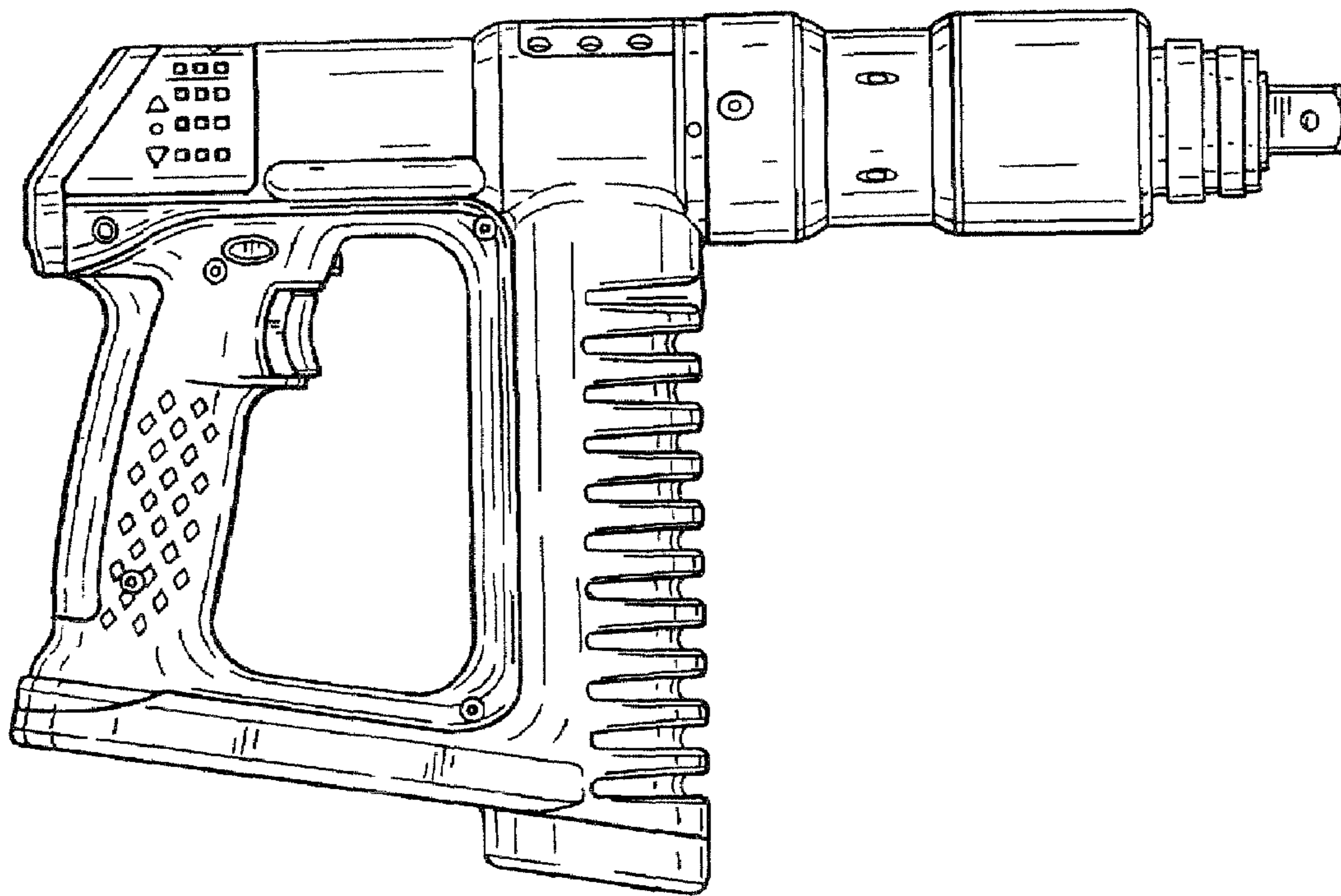


Fig. 4

FIG 5

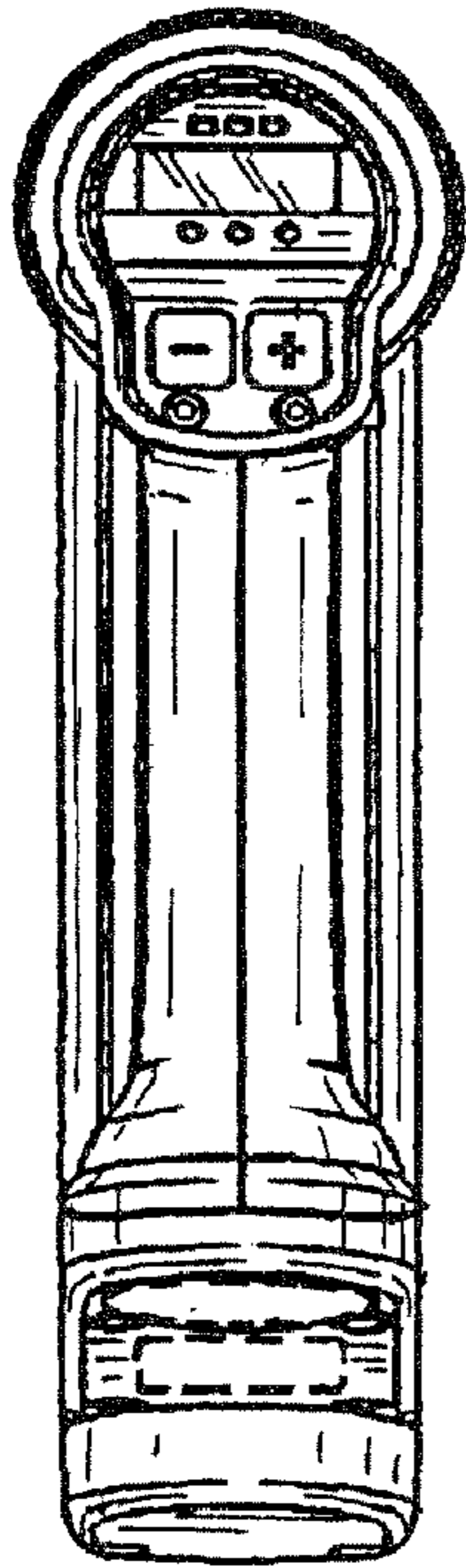


FIG 6

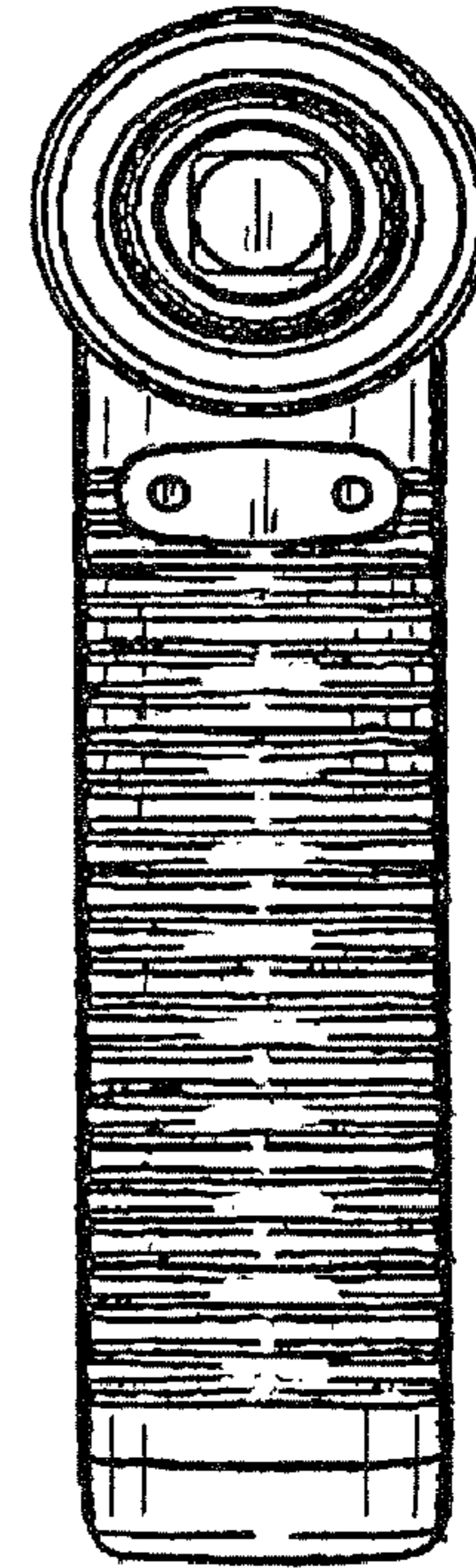


FIG 7

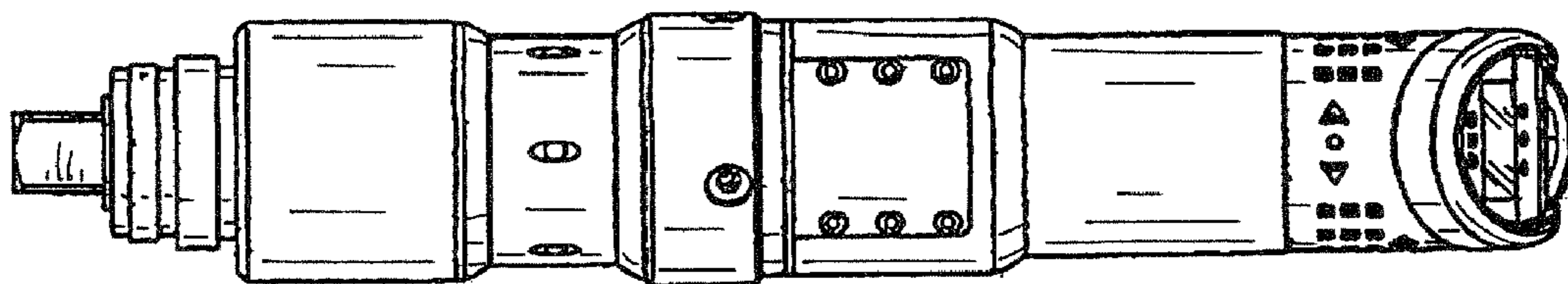


FIG 8

