



US00D593828S

(12) **United States Design Patent**  
**Pond et al.**

(10) **Patent No.:** **US D593,828 S**  
(45) **Date of Patent:** **\*\* Jun. 9, 2009**

(54) **PRESSING TOOL BODY**

(75) Inventors: **Frederick D. Pond**, Lagrange, OH (US);  
**Richard R. Bowles**, Solon, OH (US);  
**Robert M. Baracscai**, North Ridgeville,  
OH (US); **Karl C. Viehmann**, Lindau  
(DE)

(73) Assignee: **Emerson Electric Co.**, St. Louis, MO  
(US)

(\*\*) Term: **14 Years**

(21) Appl. No.: **29/271,177**

(22) Filed: **Jan. 11, 2007**

(51) **LOC (9) Cl.** ..... **08-06**

(52) **U.S. Cl.** ..... **D8/68; D8/61; D8/70**

(58) **Field of Classification Search** ..... **D8/61,**  
**D8/68, 70; 29/592; 60/477-479, 325; 72/402**  
See application file for complete search history.

(56) **References Cited**

**U.S. PATENT DOCUMENTS**

D356,478 S	3/1995	Heskey et al.	
D387,961 S	12/1997	Yasui et al.	
D408,242 S	4/1999	Yamamoto	
7,165,439 B2 *	1/2007	Lefavour et al.	..... 72/453.16

**FOREIGN PATENT DOCUMENTS**

JP	D1203076	4/2004
TW	D106231	6/1993

**OTHER PUBLICATIONS**

Search Report for Patent Application ROC (Taiwan) New Design  
Patent Application No. 096303826 (English Translation included),  
Apr. 25, 2008, (2 pages).  
Taiwan Hand Tool Annual Year 2005, p. 377, Model: REC-400 (2  
pages).  
Rigid Full Line Product Catalog; pp. 10.4 and 10.6; printed in USA  
5.06 Q-200M; copyright 2006 Ridge Tool Company.

\* cited by examiner

*Primary Examiner*—Antoine D Davis  
(74) *Attorney, Agent, or Firm*—Rankin, Hill & Clark LLP

(57) **CLAIM**

The ornamental design for a pressing tool body, as shown and  
described.

**DESCRIPTION**

FIG. 1 is a right-side front perspective view of a main body  
housing for a pressing tool showing a first embodiment of our  
new design;

FIG. 2 is a right-side rear perspective view thereof;

FIG. 3 is a right-side elevational view thereof;

FIG. 4 is a left-side elevational view thereof;

FIG. 5 is a rear elevational view thereof;

FIG. 6 is a front elevational view thereof;

FIG. 7 is a top view thereof;

FIG. 8 is a bottom view thereof;

FIG. 9 is a right-side front perspective view of a main body  
housing for a pressing tool showing a second embodiment of  
our new design;

FIG. 10 is a right-side rear perspective view thereof;

FIG. 11 is a right-side elevational view thereof;

FIG. 12 is a left-side elevational view thereof;

FIG. 13 is a rear elevational view thereof;

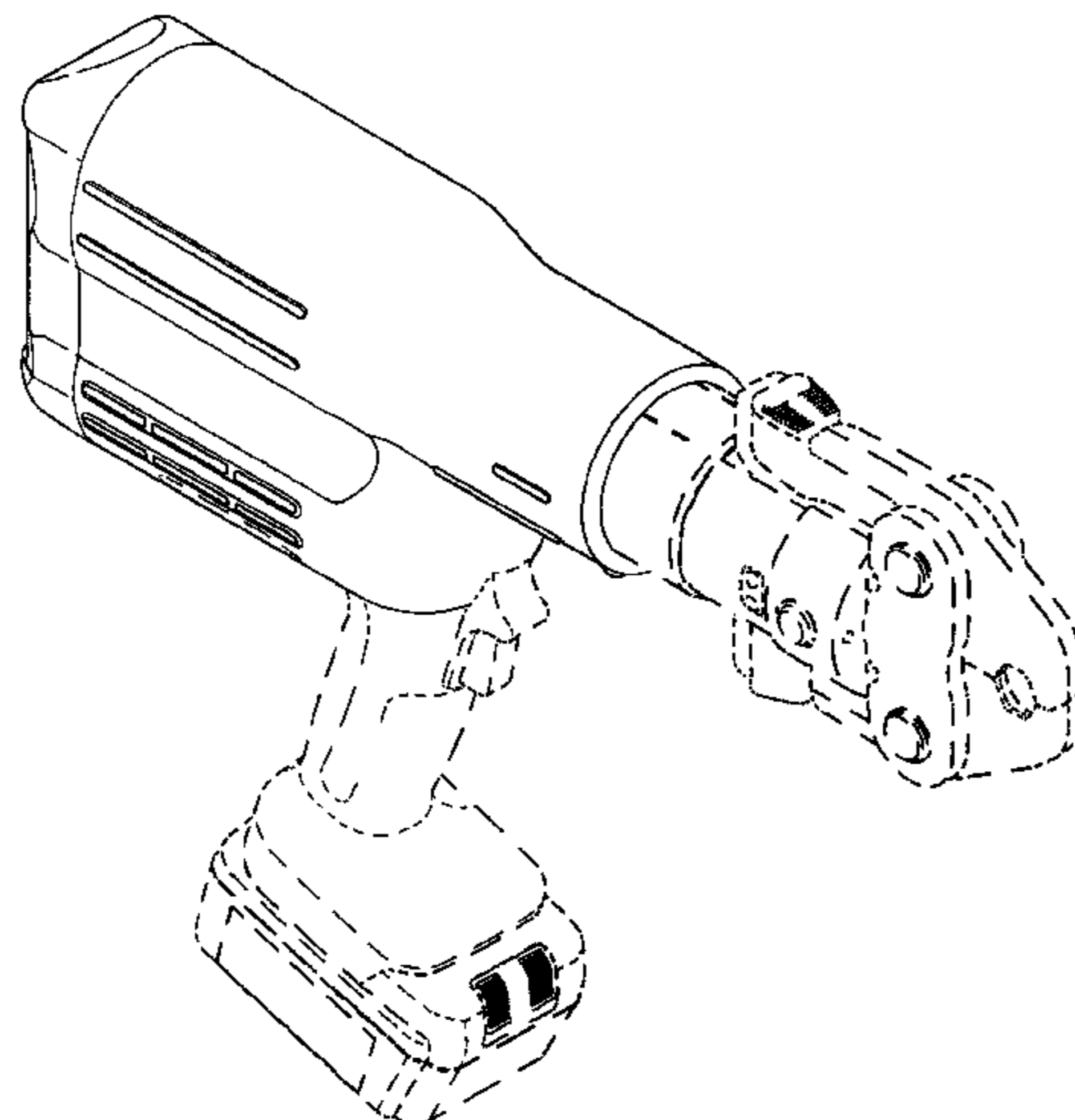
FIG. 14 is a front elevational view thereof;

FIG. 15 is a top view thereof; and,

FIG. 16 is a bottom view thereof.

The broken lines showing the pressing tool are for illustrative  
purposes only and form no part of the claimed design.

**1 Claim, 16 Drawing Sheets**



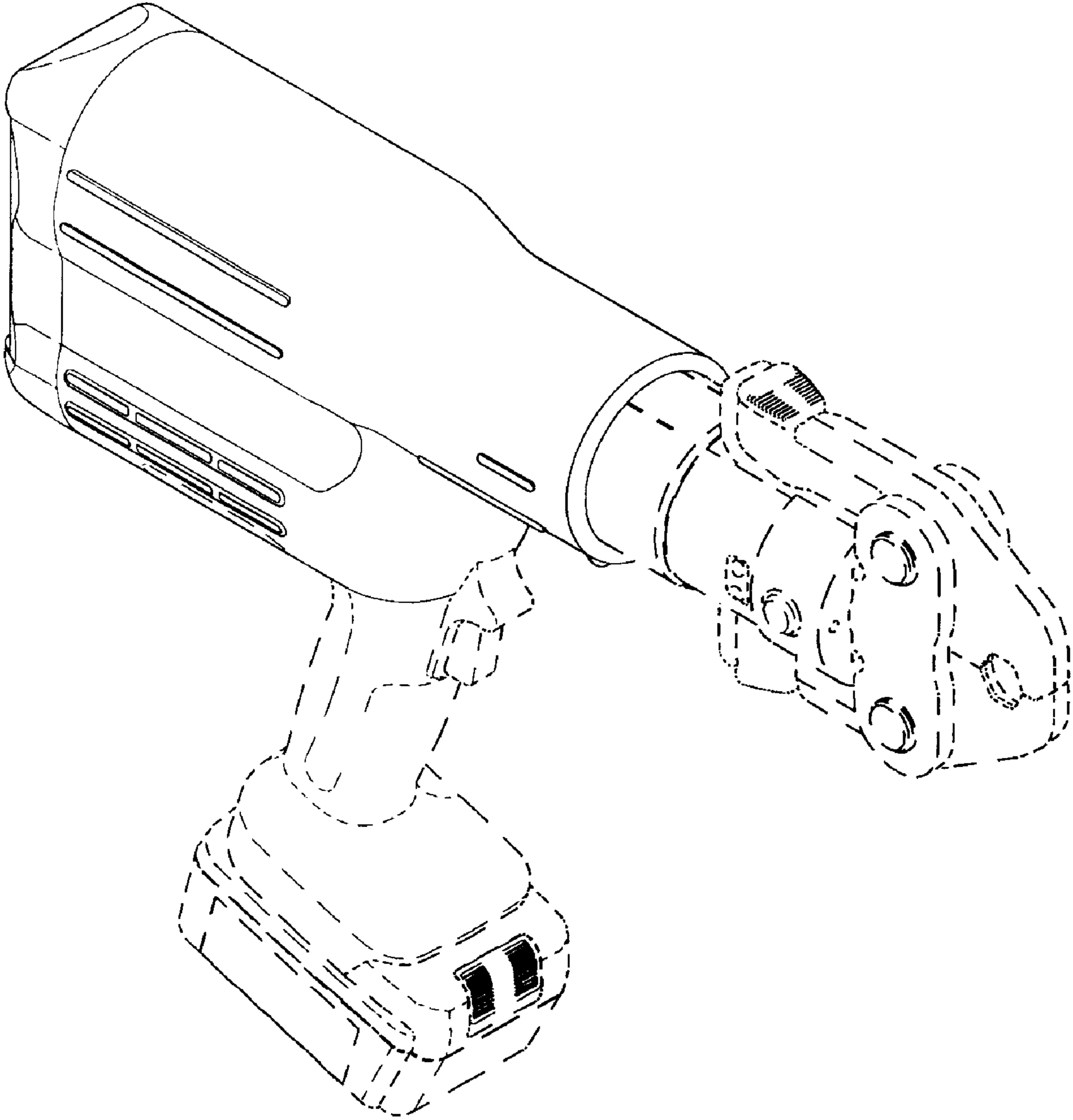
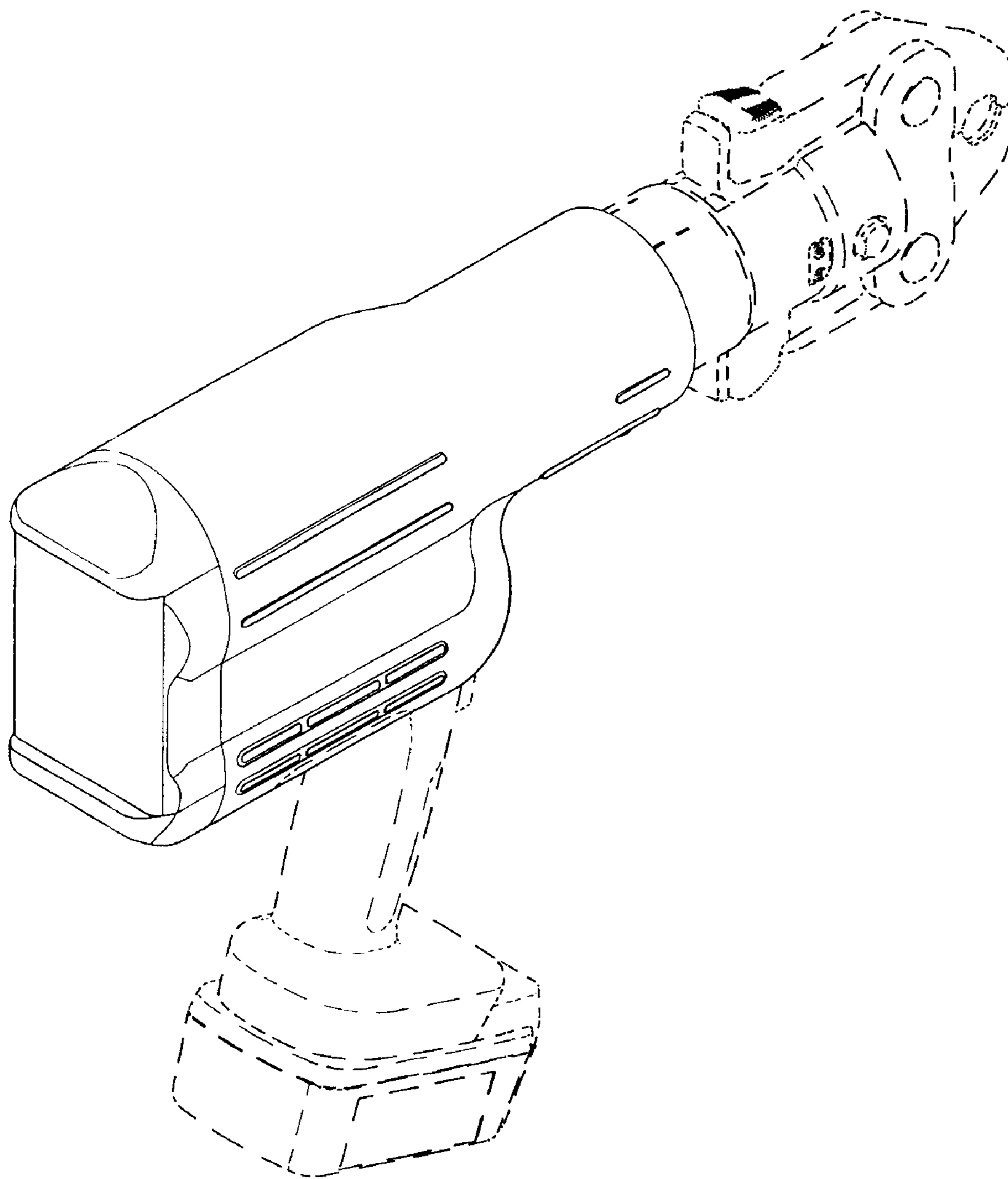


FIG. 1



*FIG. 2*

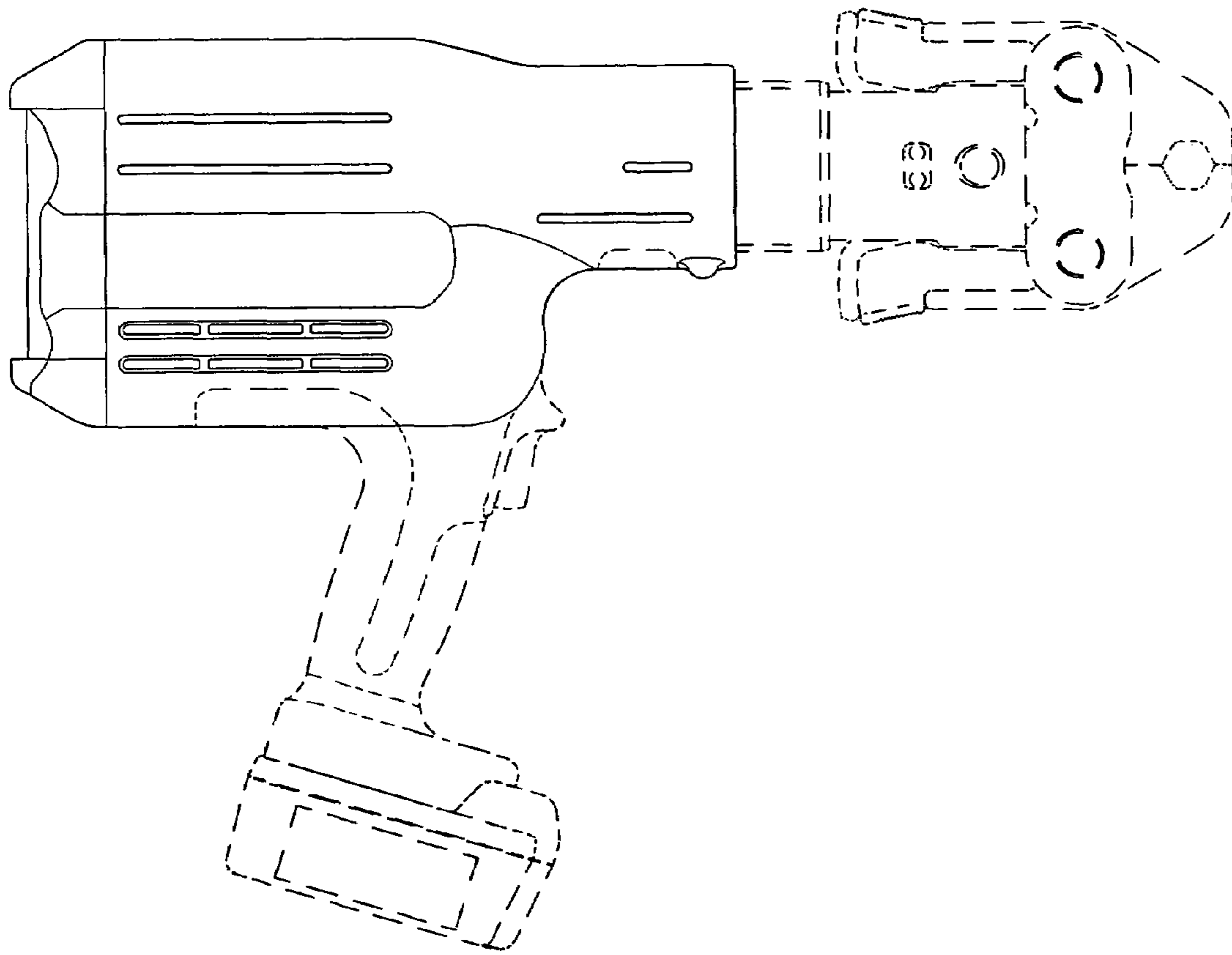


FIG. 3

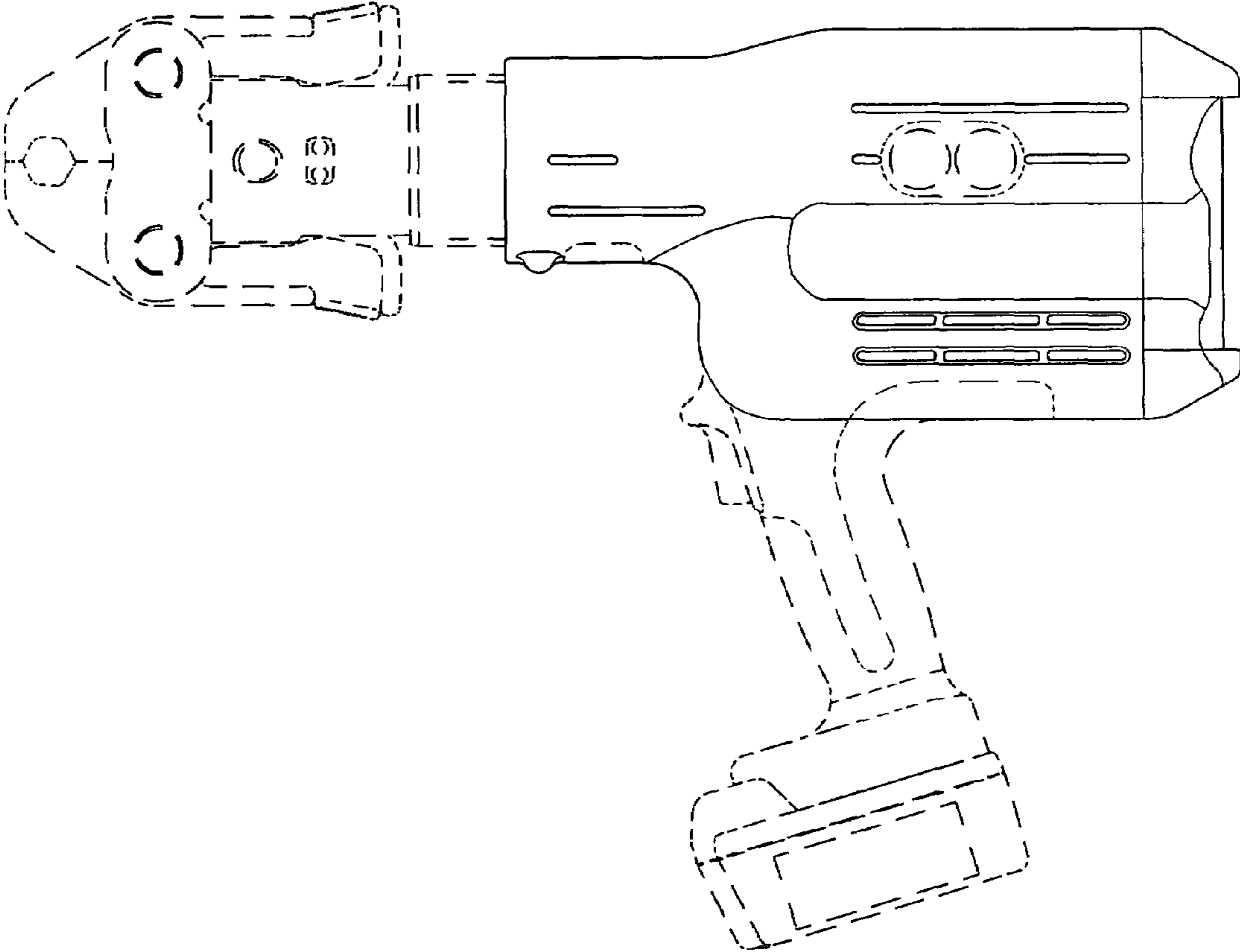
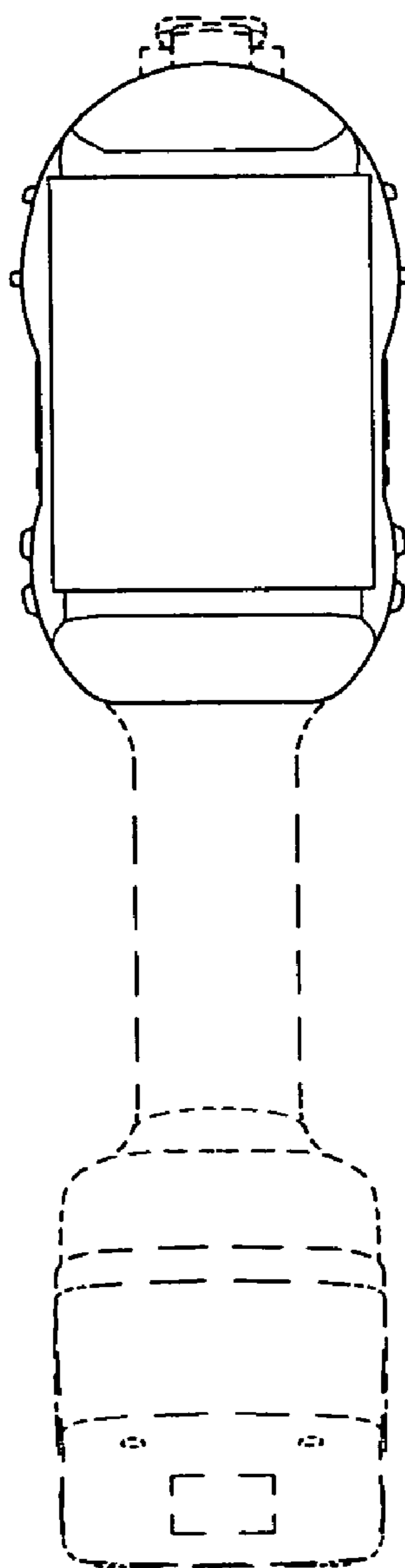
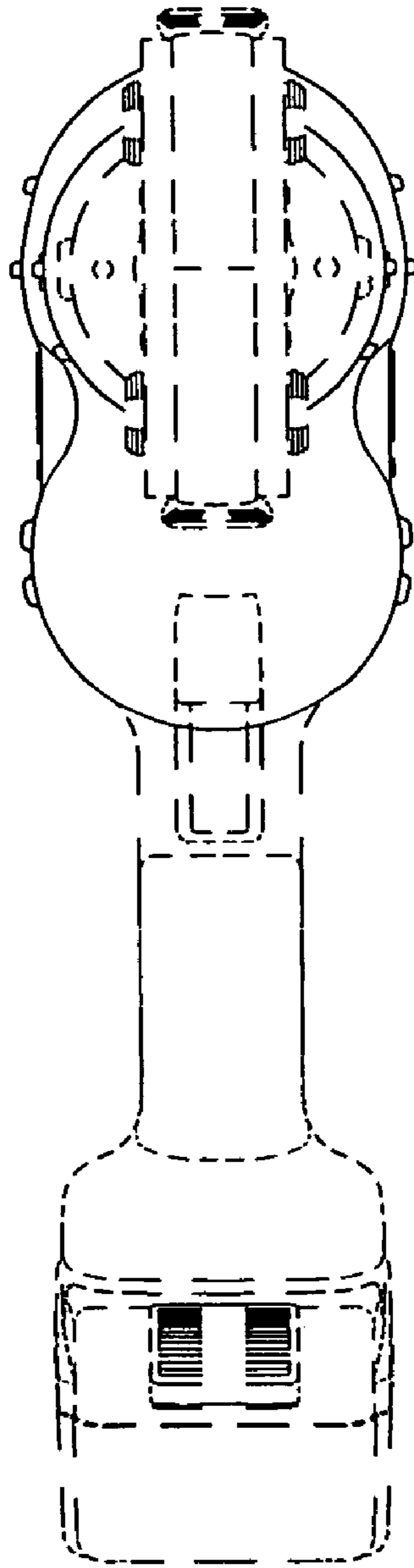


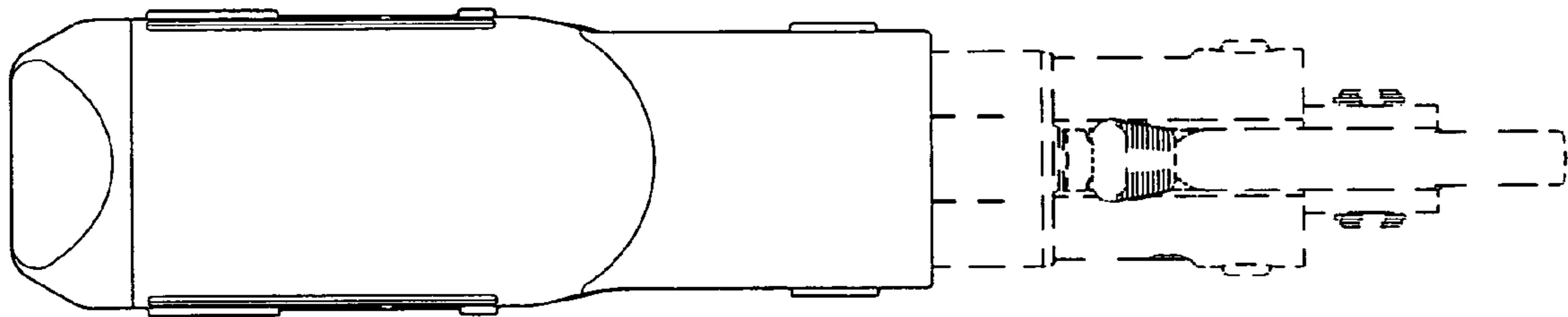
FIG. 4



**FIG. 5**

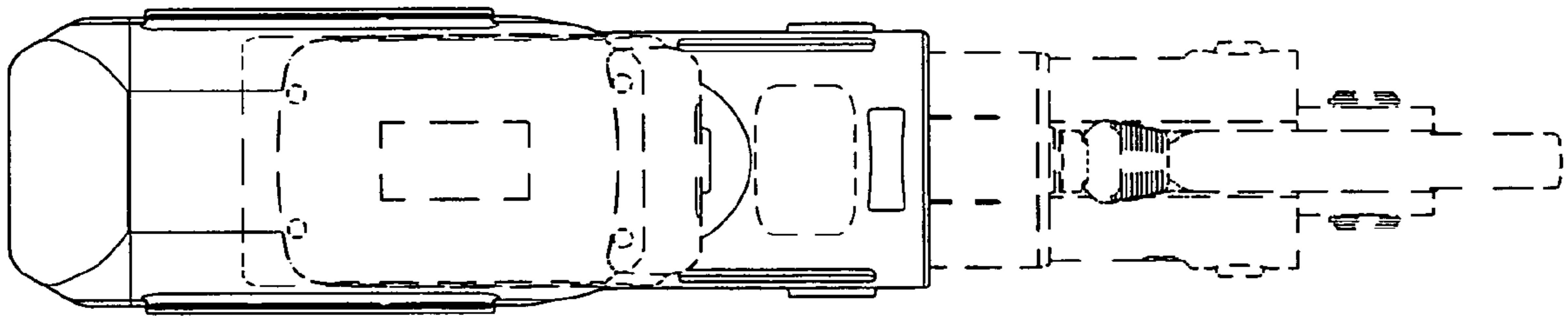


**FIG. 6**

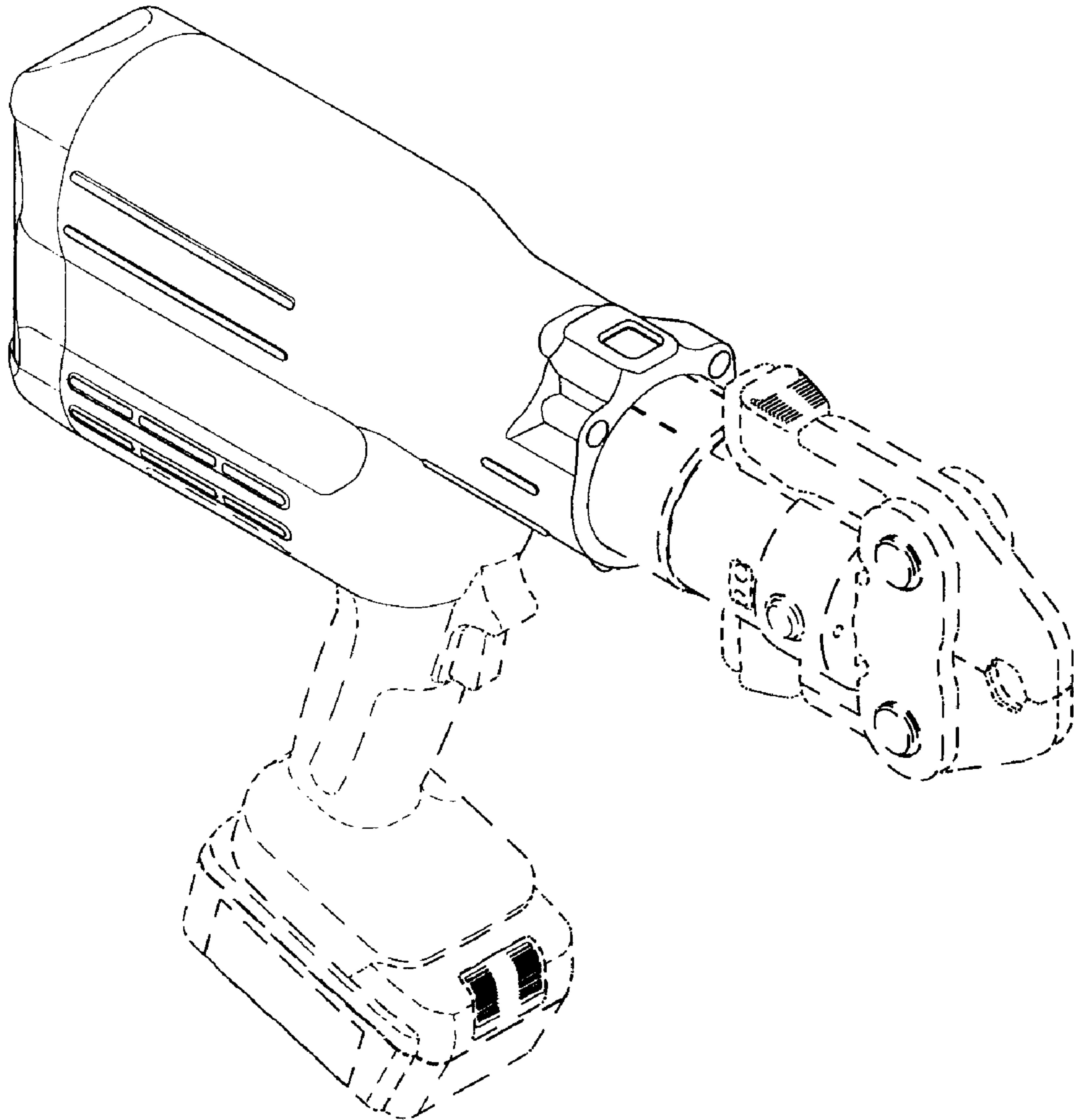


*FIG. 7*

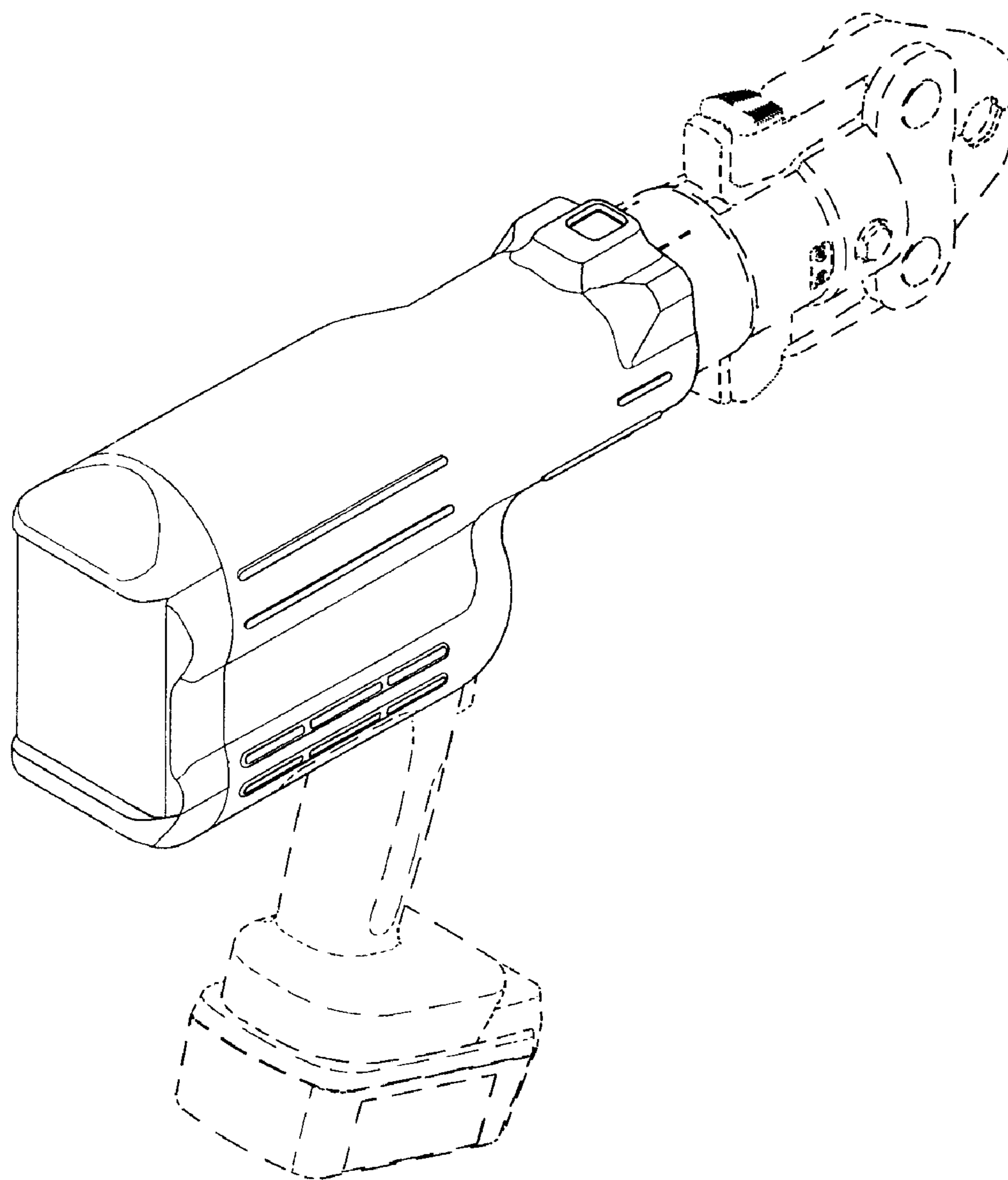




*FIG. 8*



**FIG. 9**



**FIG. 10**

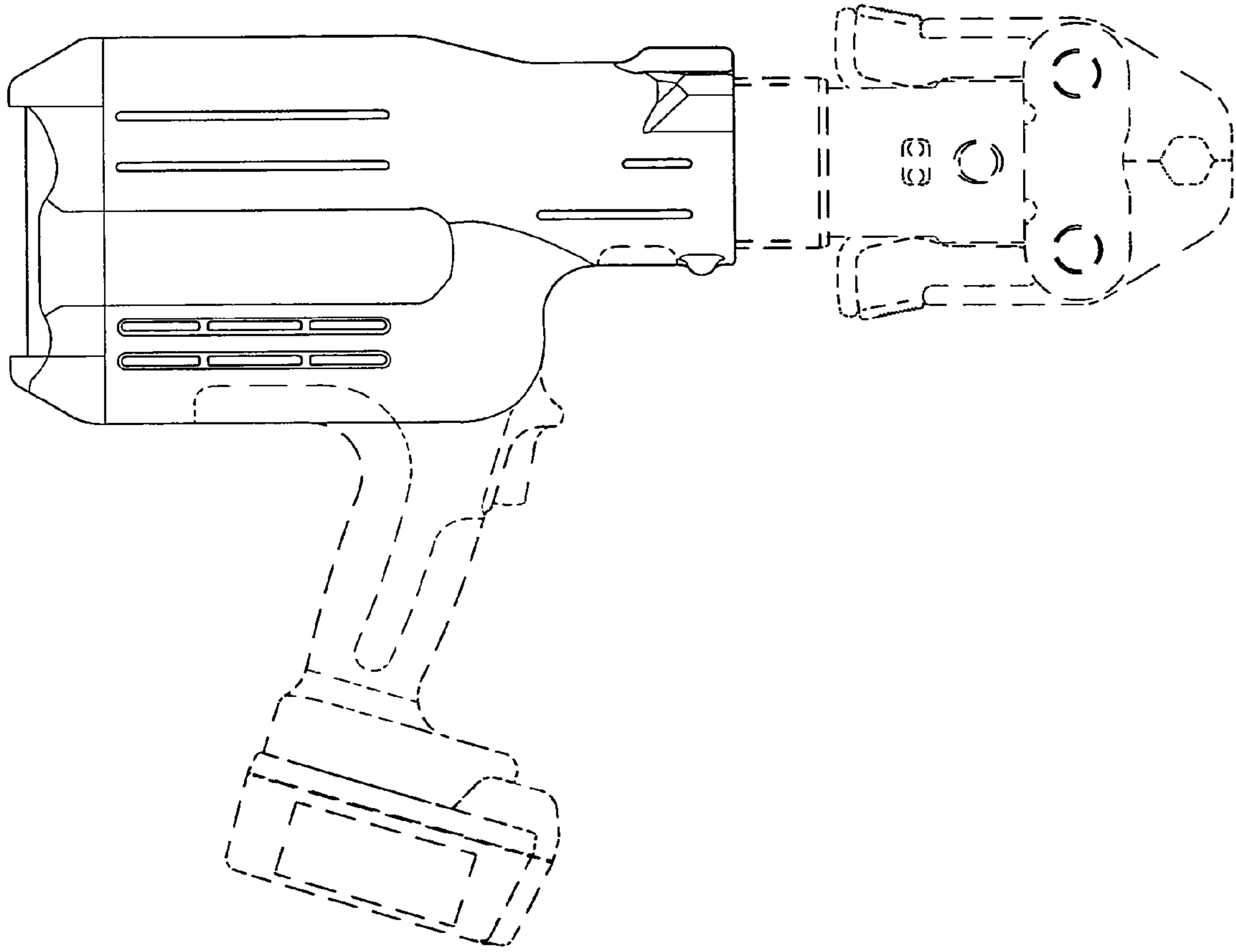
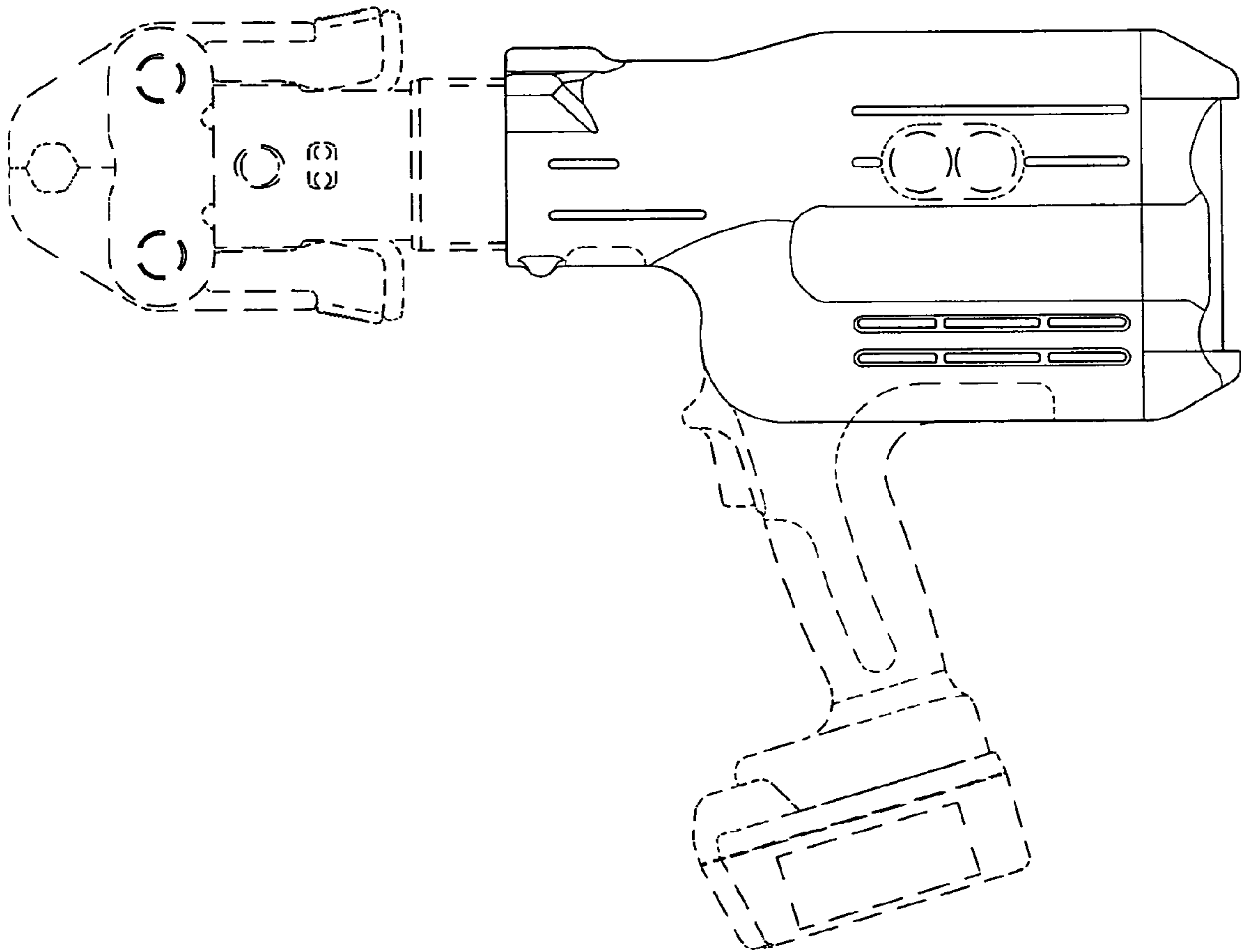
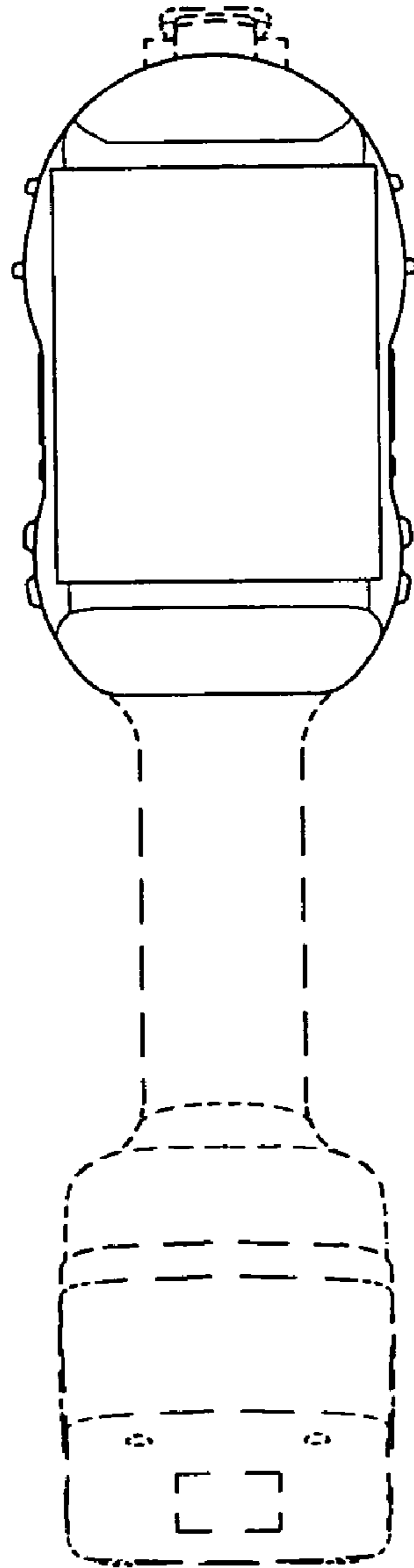


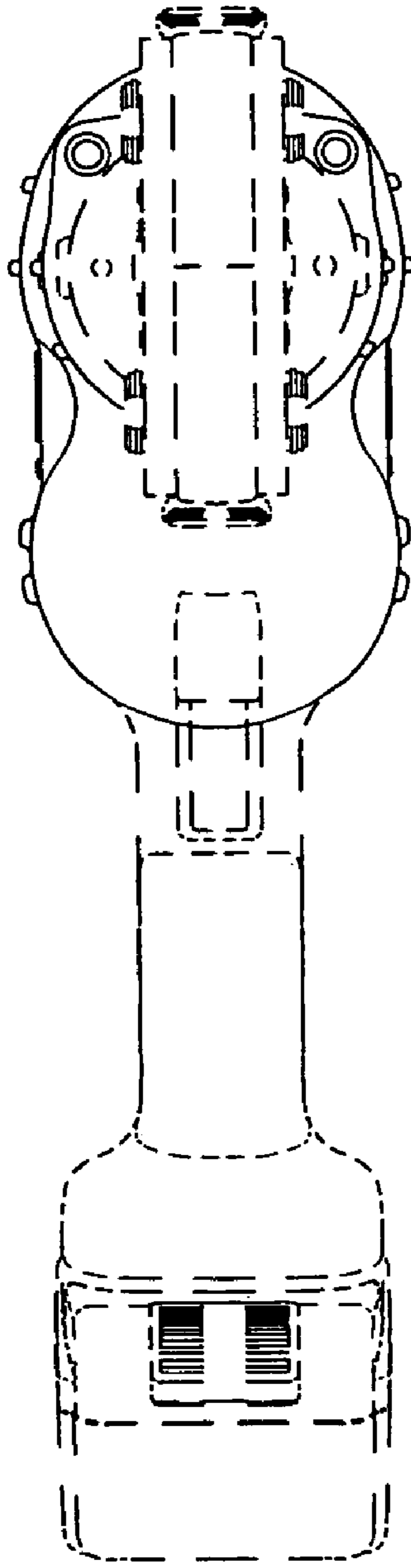
FIG. 11



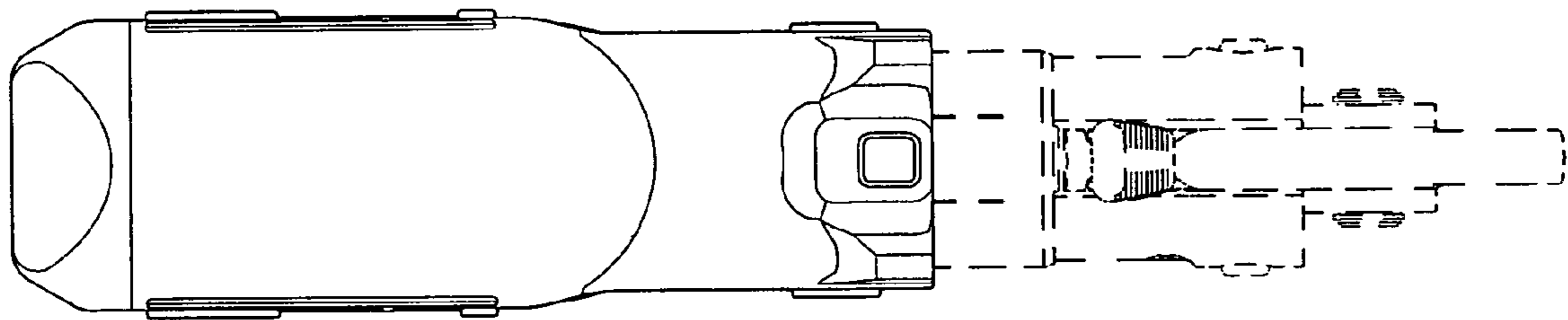
**FIG. 12**



**FIG. 13**

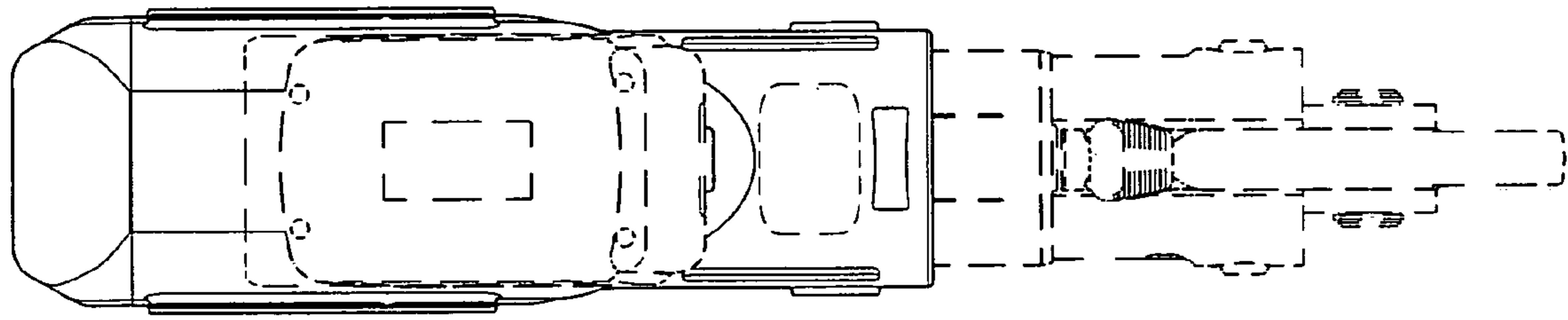


**FIG. 14**



*FIG. 15*





*FIG. 16*