



US00D593827S

(12) **United States Design Patent**
Miller et al.

(10) **Patent No.:** **US D593,827 S**
(45) **Date of Patent:** **** Jun. 9, 2009**

(54) **DRILL**
(75) Inventors: **David A. Miller**, Baltimore, MD (US);
Weston J. Van Wambeke, Baltimore,
MD (US)

(73) Assignee: **Black & Decker Inc.**, Newark, DE (US)

(**) Term: **14 Years**

(21) Appl. No.: **29/329,460**

(22) Filed: **Dec. 16, 2008**

(51) **LOC (9) Cl.** **08-01**

(52) **U.S. Cl.** **D8/67; D8/68**

(58) **Field of Classification Search** D8/14.1,
D8/61-70; 81/429, 454-456, 469, 489; 173/104,
173/114, 168-171, 178, 201, 211, 213, 217;
408/20, 124, 125, 234; 388/809
See application file for complete search history.

(56) **References Cited**

U.S. PATENT DOCUMENTS

3,077,547	A *	2/1963	Metko	173/217
D279,862	S *	7/1985	Sato et al.	D8/61
4,689,534	A *	8/1987	Gerber et al.	388/809
D431,766	S *	10/2000	Zurwelle	D8/67
D447,032	S *	8/2001	Schoen et al.	D8/67
6,595,300	B2 *	7/2003	Milbourne	173/170
6,764,256	B2 *	7/2004	Miura	408/124
D494,033	S *	8/2004	Thomas et al.	D8/67

6,776,244	B2 *	8/2004	Milbourne	173/170
D502,377	S *	3/2005	Aglassinger	D8/69
6,983,809	B2 *	1/2006	Leitenberger et al.	173/176
7,000,709	B2 *	2/2006	Milbourne	173/170
D520,320	S *	5/2006	Corcoran	D8/68
D520,833	S *	5/2006	Andriolo	D8/68
D559,059	S *	1/2008	Concari et al.	D8/68

* cited by examiner

Primary Examiner—Cathron C Brooks

Assistant Examiner—Austin Murphy

(74) *Attorney, Agent, or Firm*—Wesley W. Muller

(57) **CLAIM**

The ornamental design for a drill, as shown and described.

DESCRIPTION

FIG. 1 is a front perspective view of a drill according to the present invention;

FIG. 2 is a rear perspective view of the drill of FIG. 1;

FIG. 3 is a left side view of the drill of FIG. 1;

FIG. 4 is a right side view of the drill of FIG. 1;

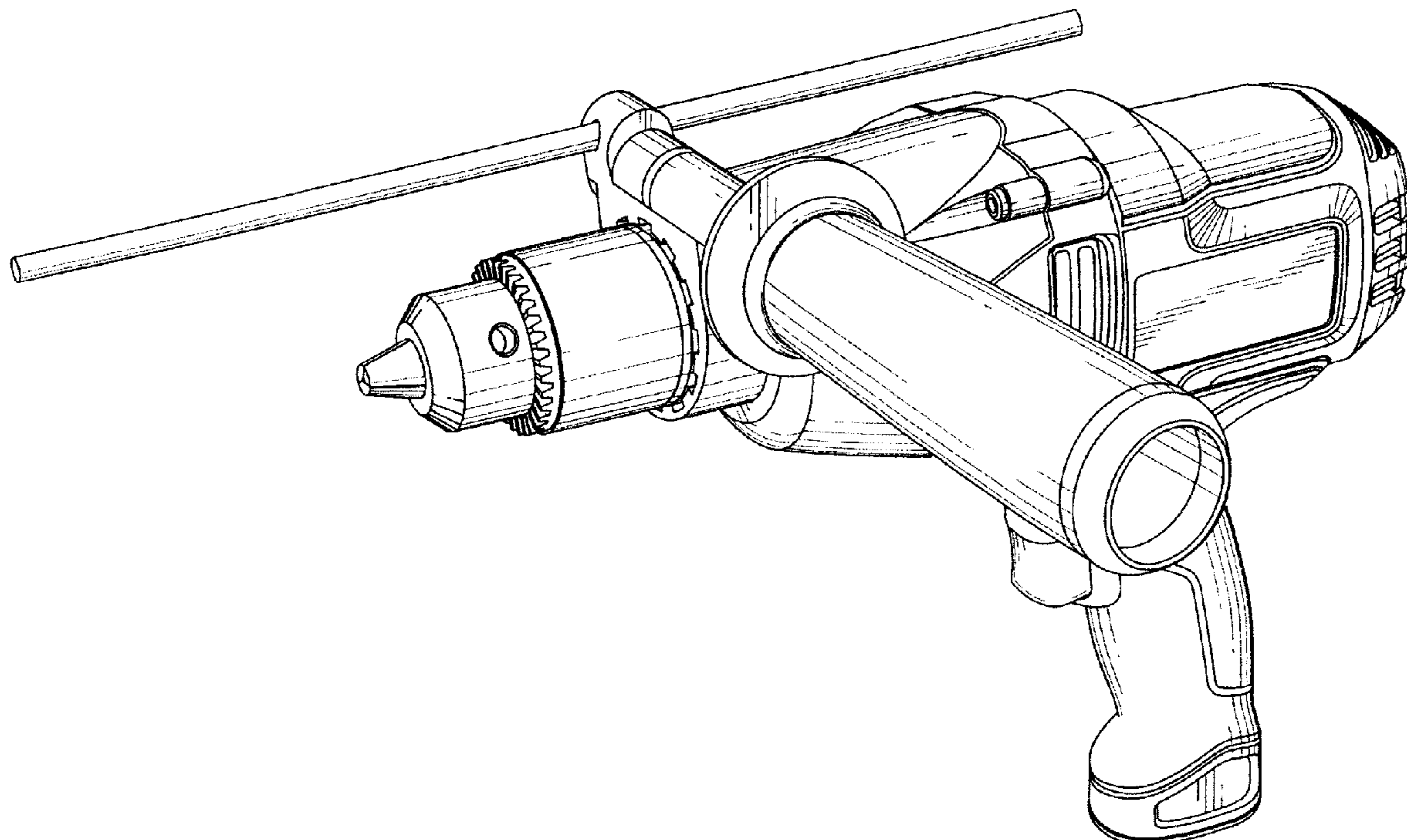
FIG. 5 is a top side view of the drill of FIG. 1;

FIG. 6 is a bottom view of the drill of FIG. 1;

FIG. 7 is a front view of the drill of FIG. 1; and,

FIG. 8 is a rear view of the drill of FIG. 1.

1 Claim, 8 Drawing Sheets



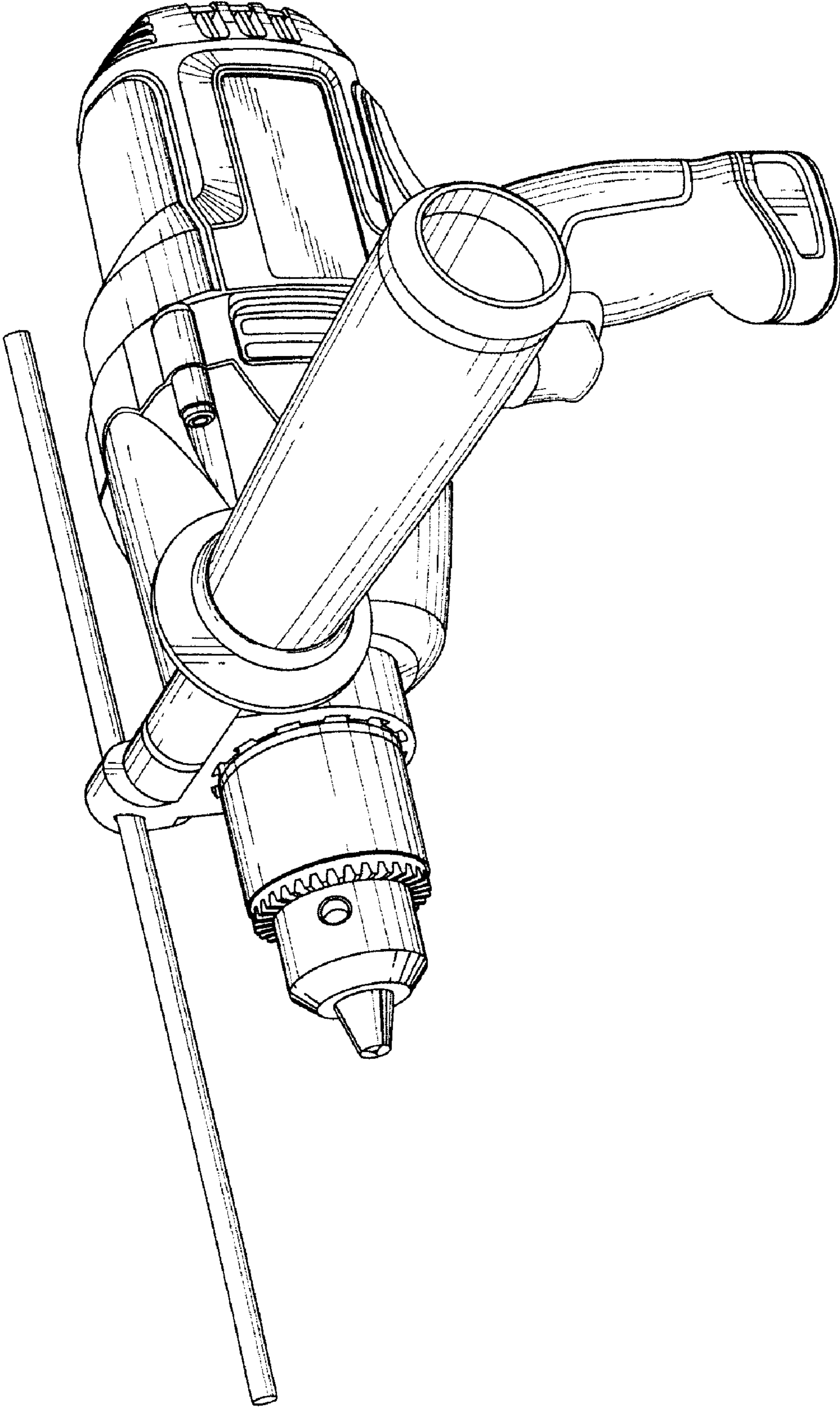


Fig. 1

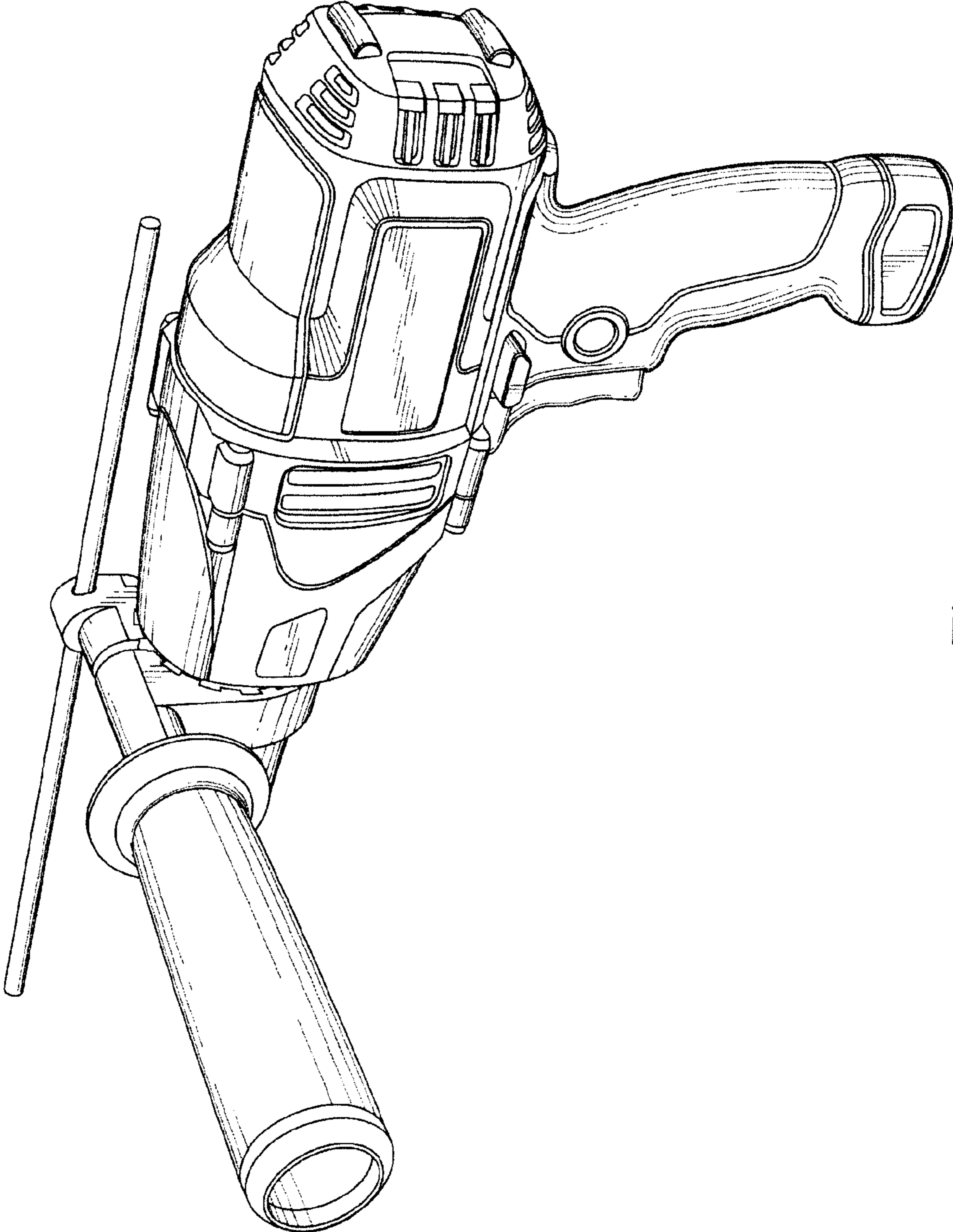


Fig. 2

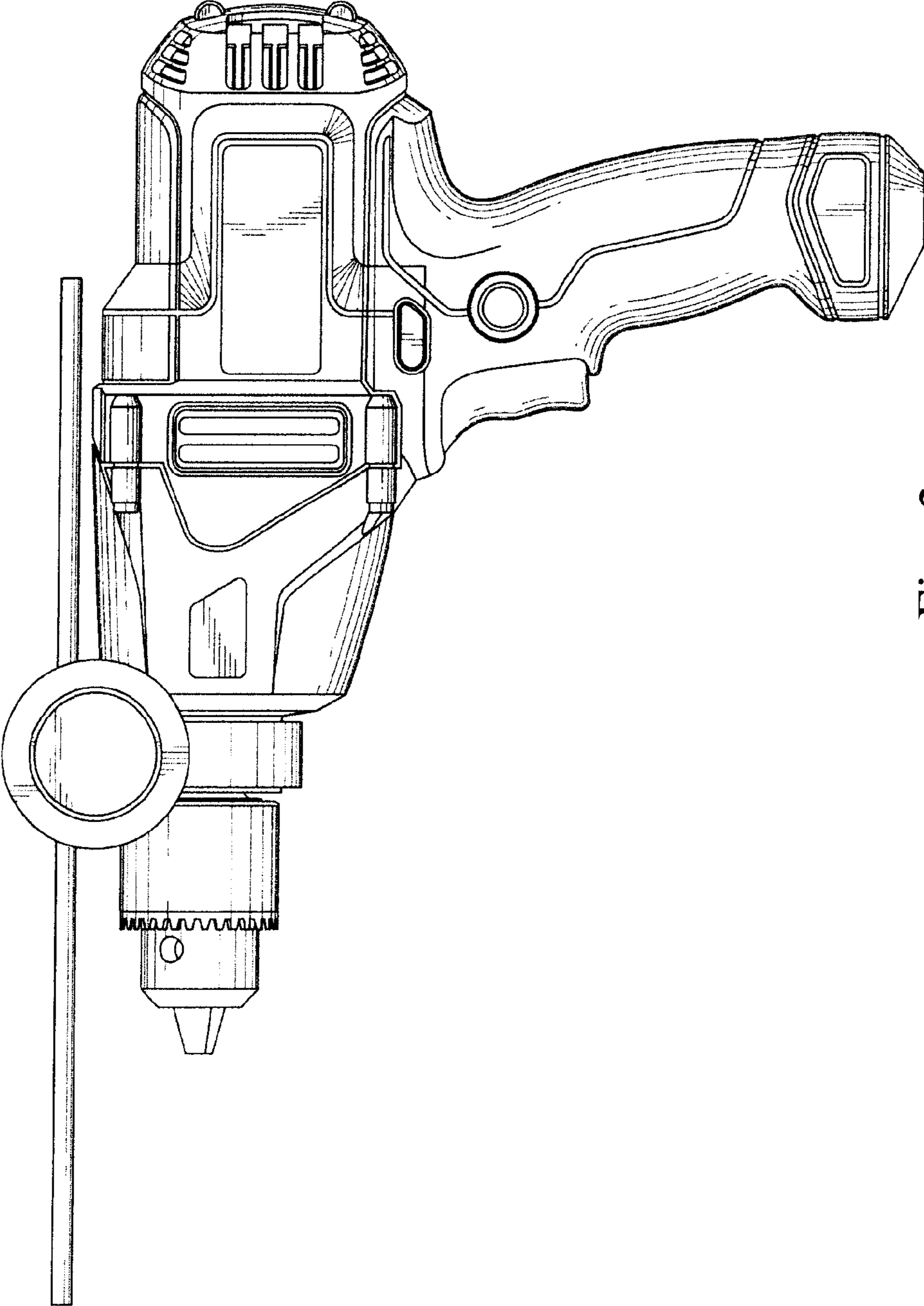


Fig. 3

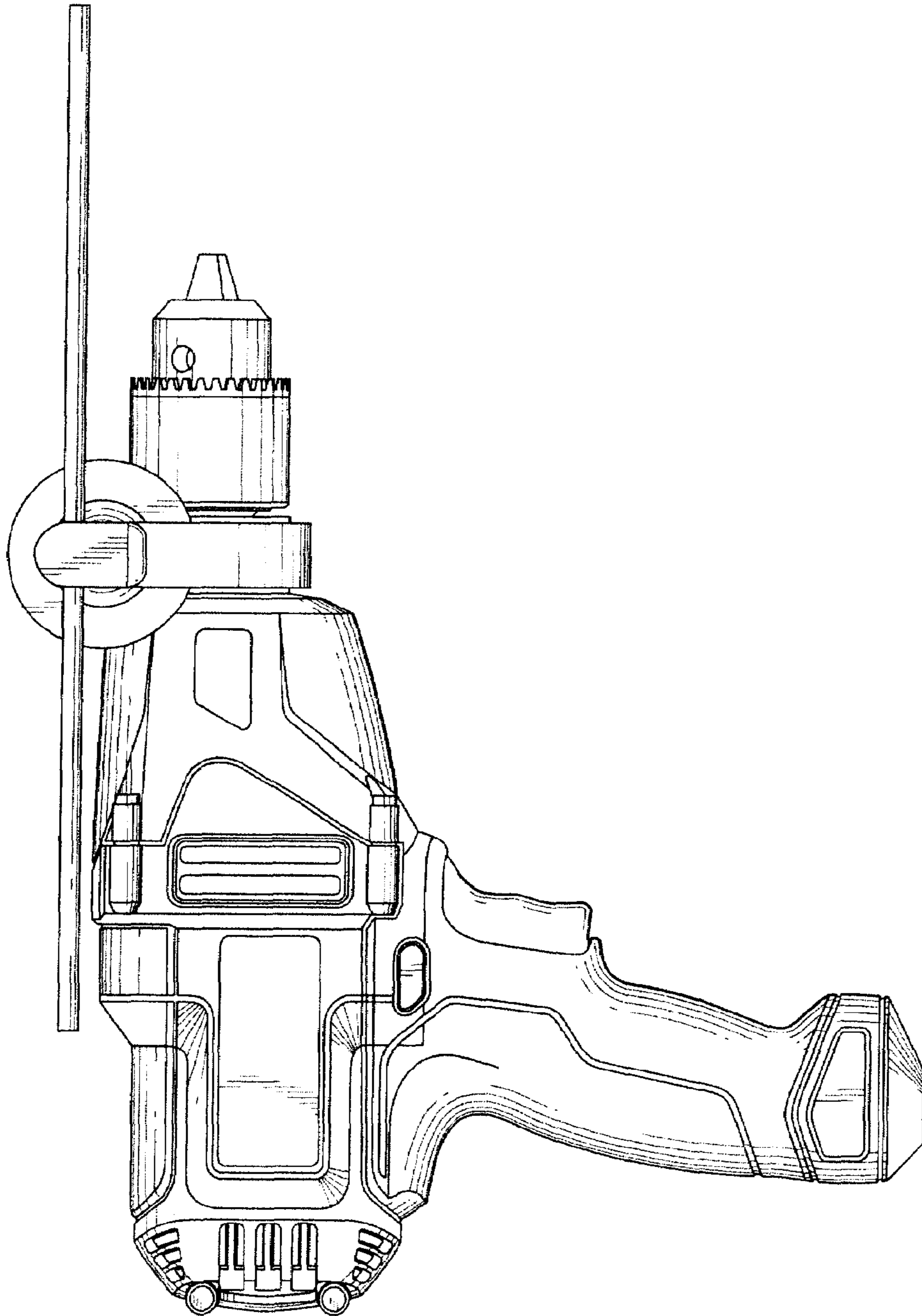


Fig. 4

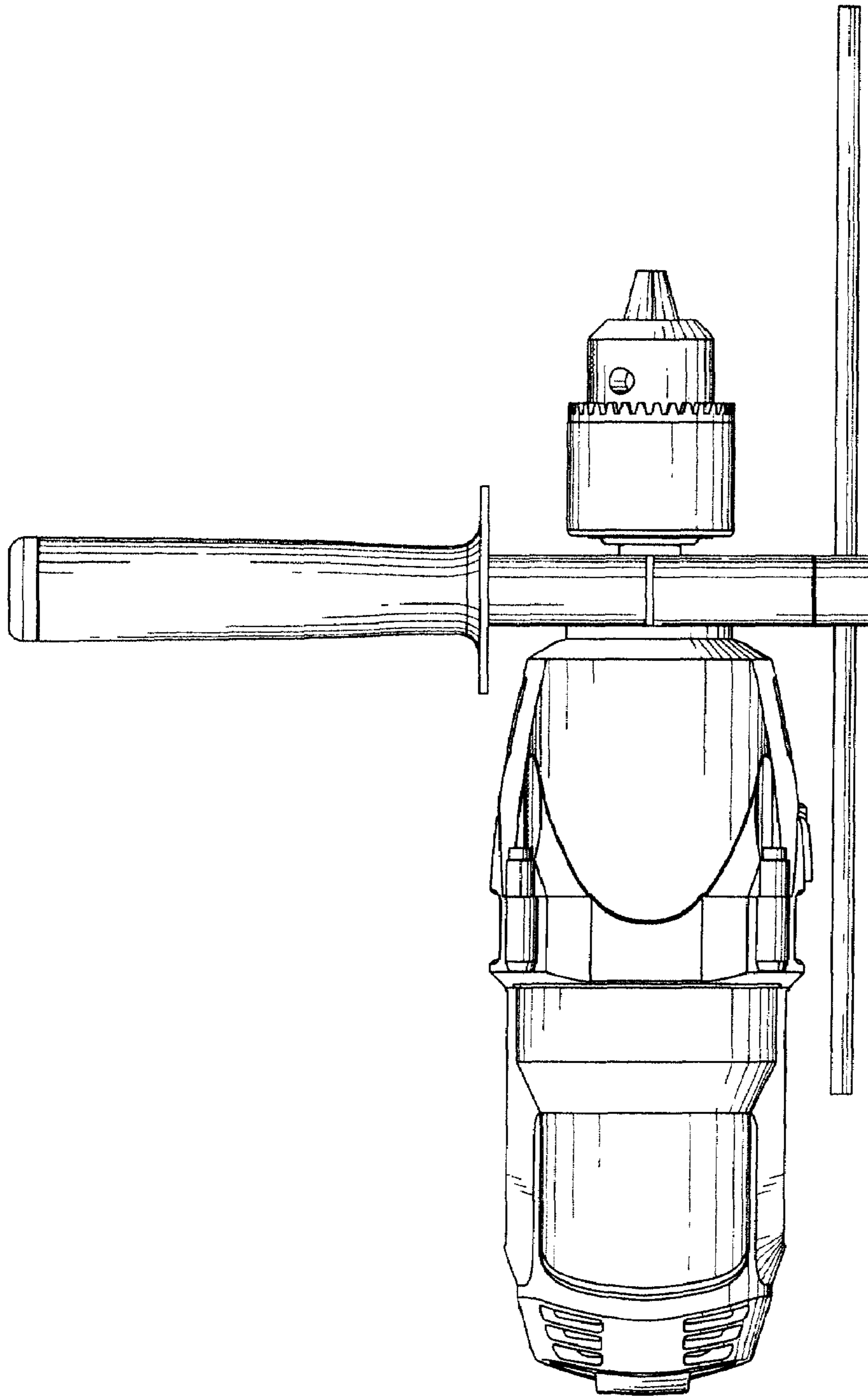


Fig. 5

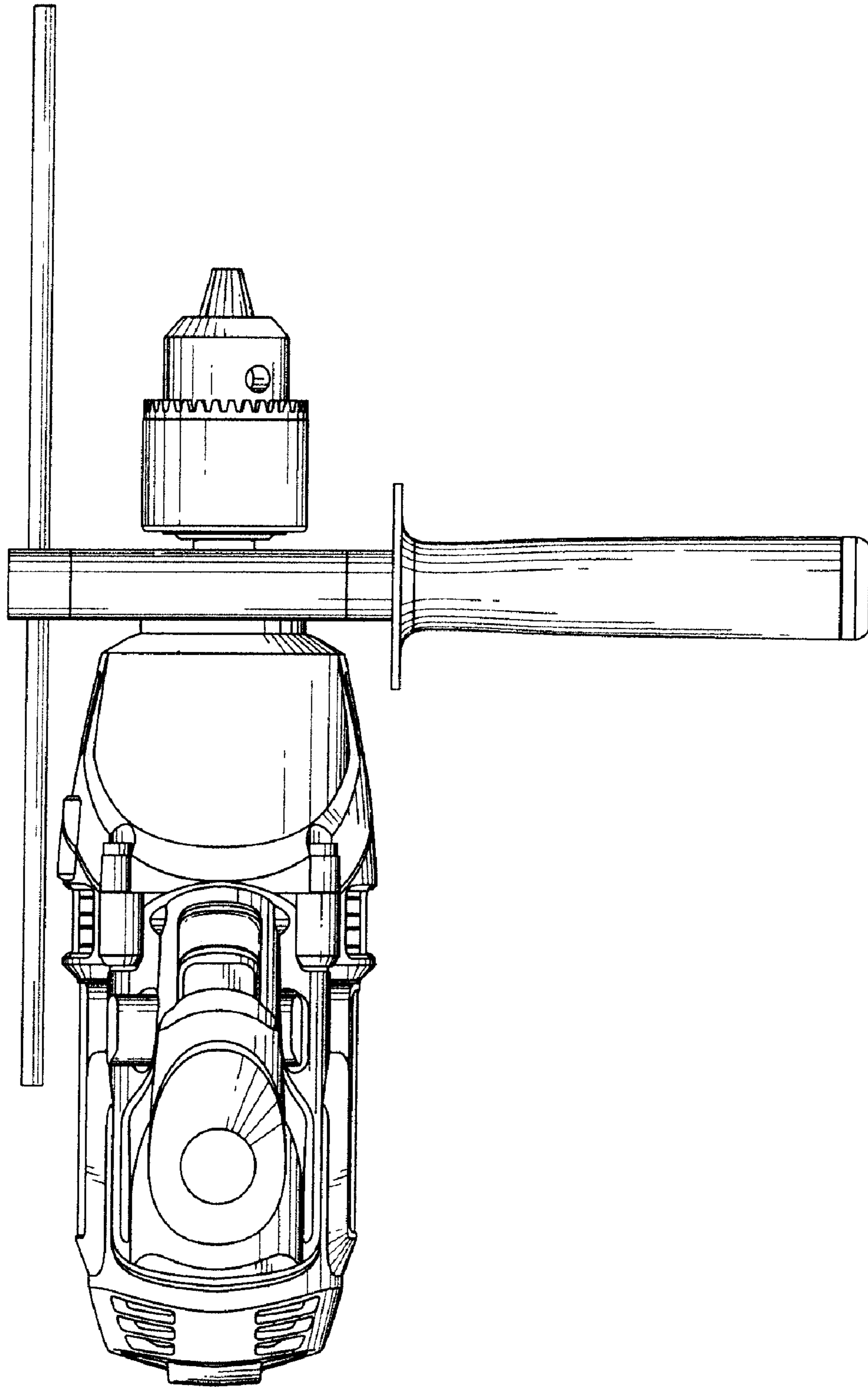


Fig. 6

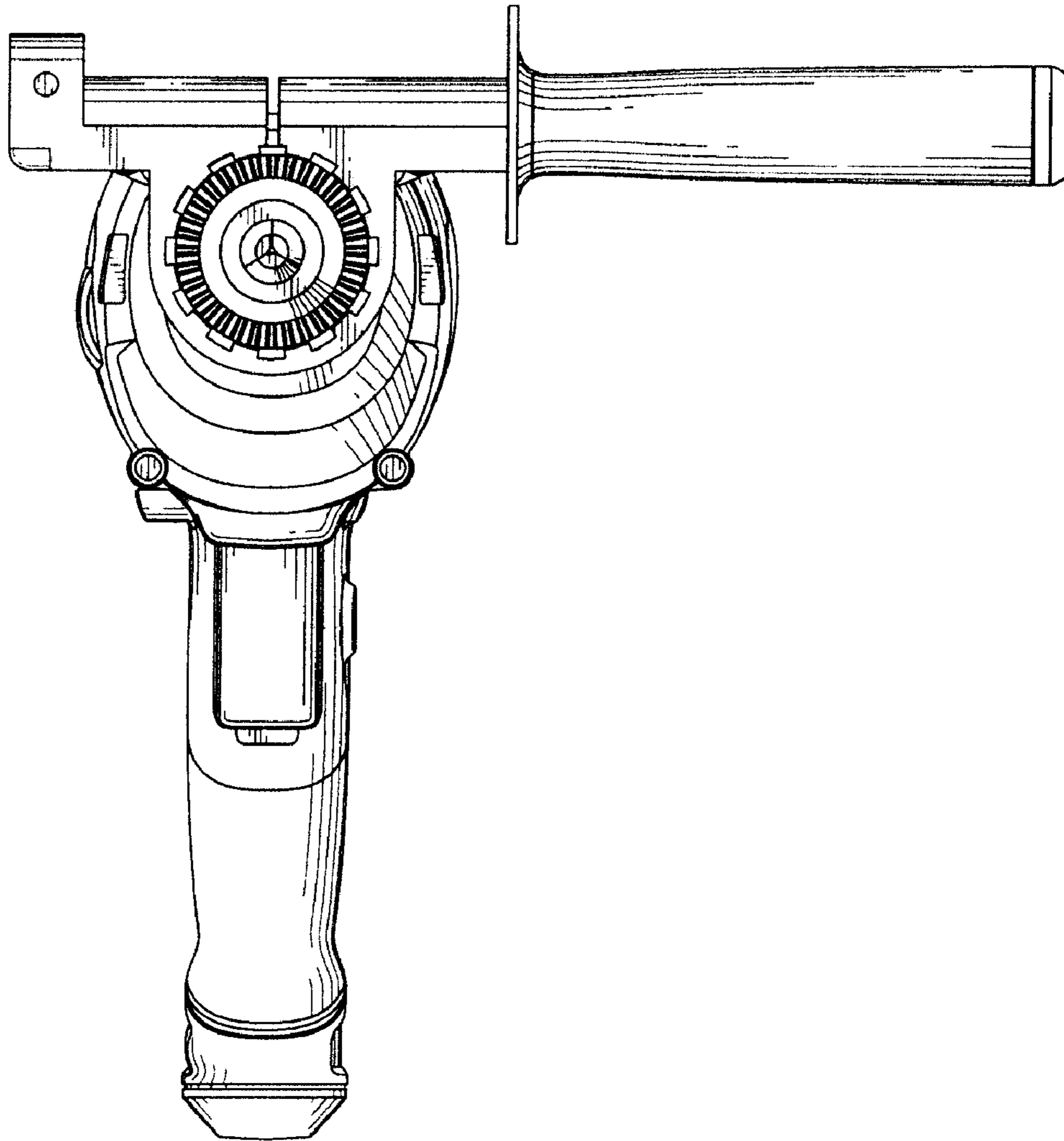


Fig. 7

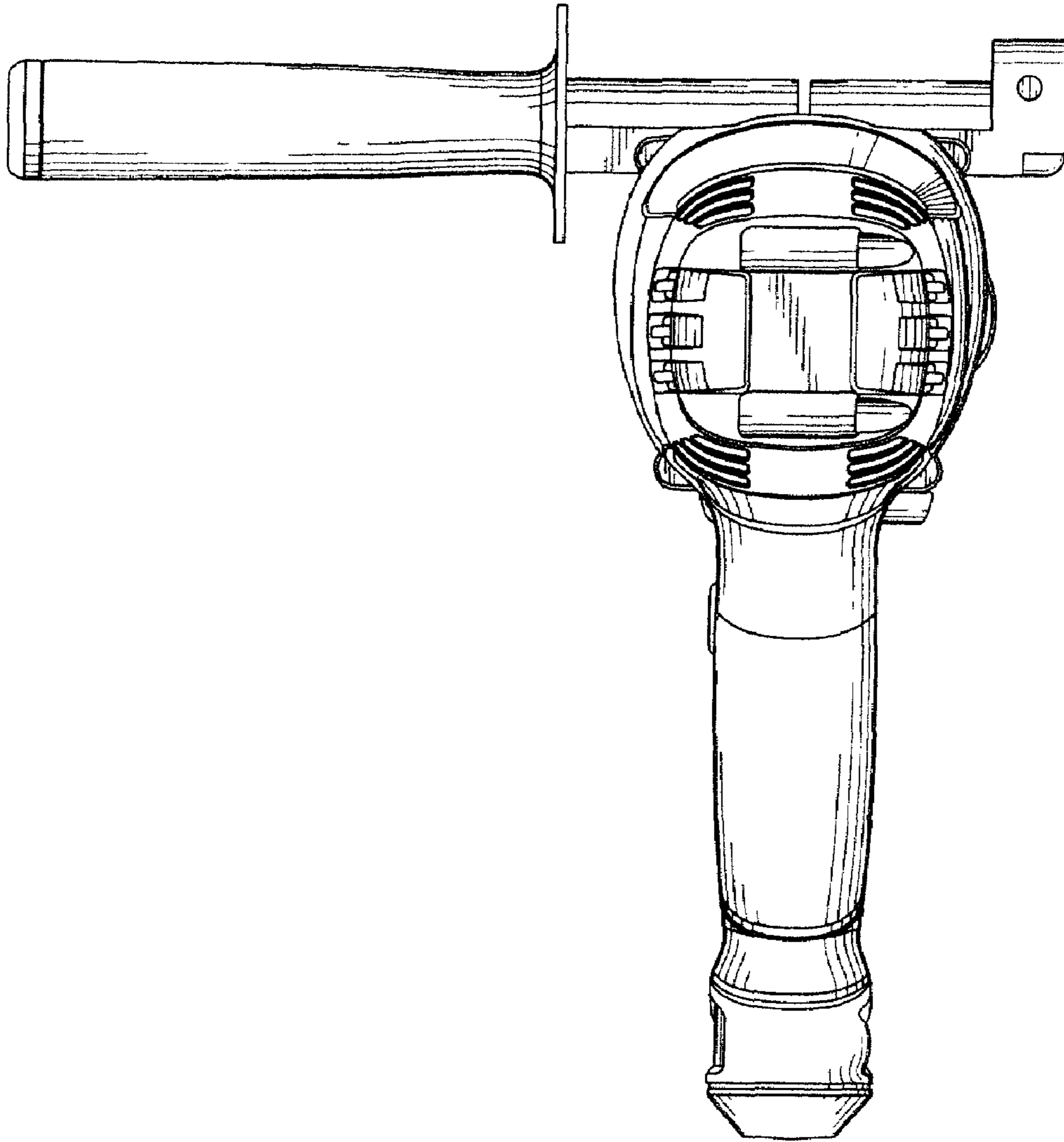


Fig. 8