

US00D593824S

(12) **United States Design Patent**
Yagi

(10) **Patent No.:** **US D593,824 S**
(45) **Date of Patent:** **** Jun. 9, 2009**

(54) **STAPLE CARTRIDGE**

(75) Inventor: **Nobuaki Yagi**, Tokyo (JP)

(73) Assignee: **Max Co., Ltd.**, Tokyo (JP)

(**) Term: **14 Years**

(21) Appl. No.: **29/300,609**

(22) Filed: **Apr. 17, 2008**

(30) **Foreign Application Priority Data**

Oct. 31, 2007 (JP) 2007-030020

(51) **LOC (9) Cl.** **19-02**

(52) **U.S. Cl.** **D8/49**

(58) **Field of Classification Search** D8/49,
D8/50, 61, 68, 69; D19/72, 73, 65, 69; D21/532;
D24/145; 7/158, 160; 227/4, 5, 6, 7, 8, 120,
227/127, 128, 131, 132, 134, 144, 156, 119,
227/155, 82; 606/139, 143, 153, 219

See application file for complete search history.

(56) **References Cited**

U.S. PATENT DOCUMENTS

D280,070 S * 8/1985 Olesen et al. D8/49
5,273,199 A * 12/1993 Logtens 227/87
6,039,230 A * 3/2000 Yagi et al. 227/120
6,557,744 B2 * 5/2003 Kitamura 227/119
D504,295 S * 4/2005 Haramiishi D8/49
6,902,094 B2 * 6/2005 Mochizuki et al. 227/155
D507,165 S * 7/2005 Kishi et al. D8/49
D507,729 S * 7/2005 Kishi et al. D8/49

2001/0035448 A1 * 11/2001 Kitamura 227/119
2008/0061102 A1 * 3/2008 Hakozaiki et al. 227/82
2008/0135597 A1 * 6/2008 Kishi et al. 227/120

FOREIGN PATENT DOCUMENTS

JP D1213622 8/2004

* cited by examiner

Primary Examiner—Cathron C Brooks

Assistant Examiner—Austin Murphy

(74) *Attorney, Agent, or Firm*—Jean C. Edwards, Esq;
Akerman Senferfitt

(57) **CLAIM**

The ornamental design for a staple cartridge, as shown and described.

DESCRIPTION

FIG. 1 is a perspective view of the front, right and top of a staple cartridge showing my new design;

FIG. 2 is a front view thereof;

FIG. 3 is a rear view thereof;

FIG. 4 is a left side view thereof;

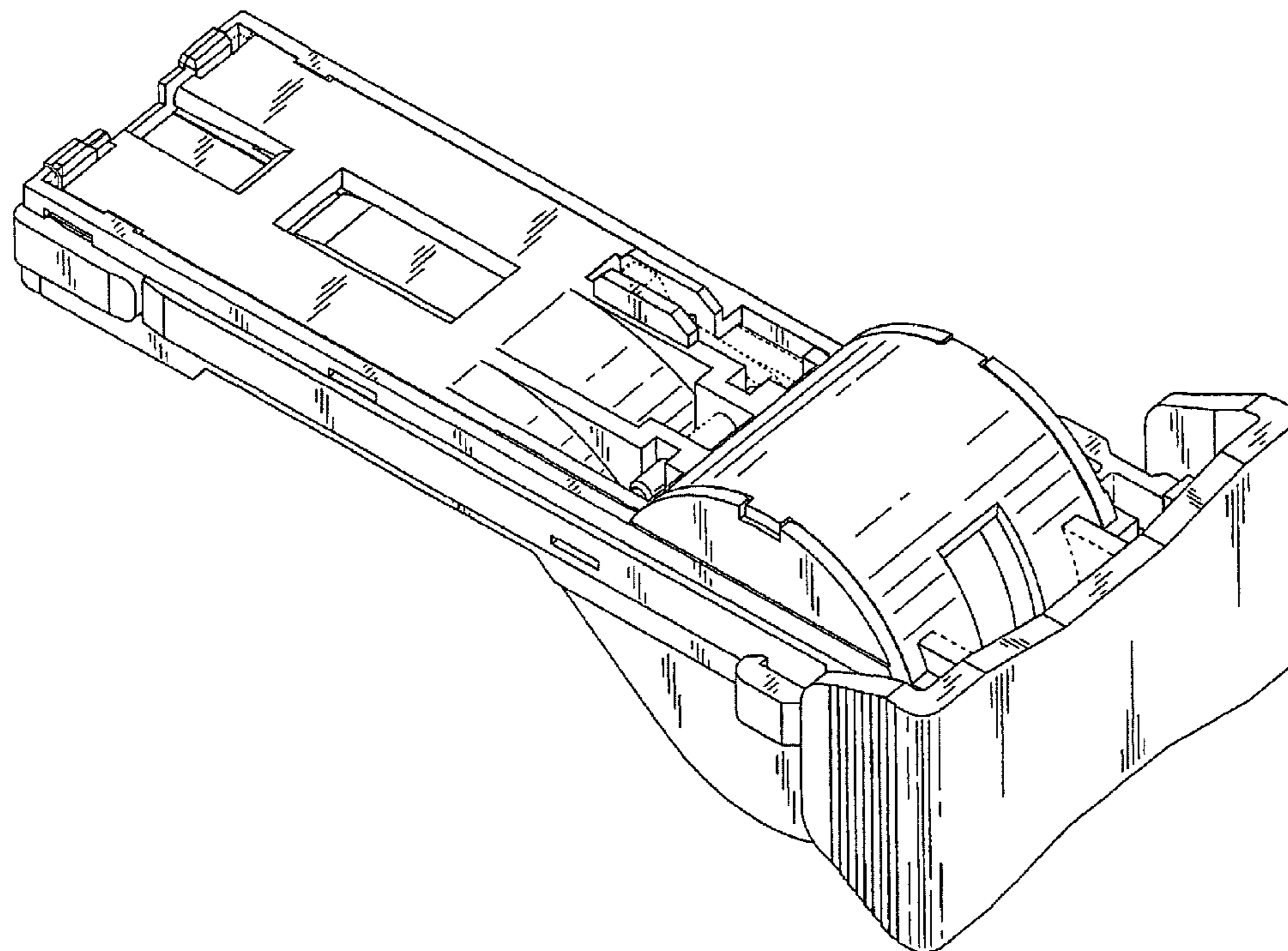
FIG. 5 is a right side view thereof;

FIG. 6 is a top plan view thereof; and,

FIG. 7 is a bottom view thereof.

The portions shown in broken lines are for illustrative purposes only and form no part of the claimed invention.

1 Claim, 6 Drawing Sheets



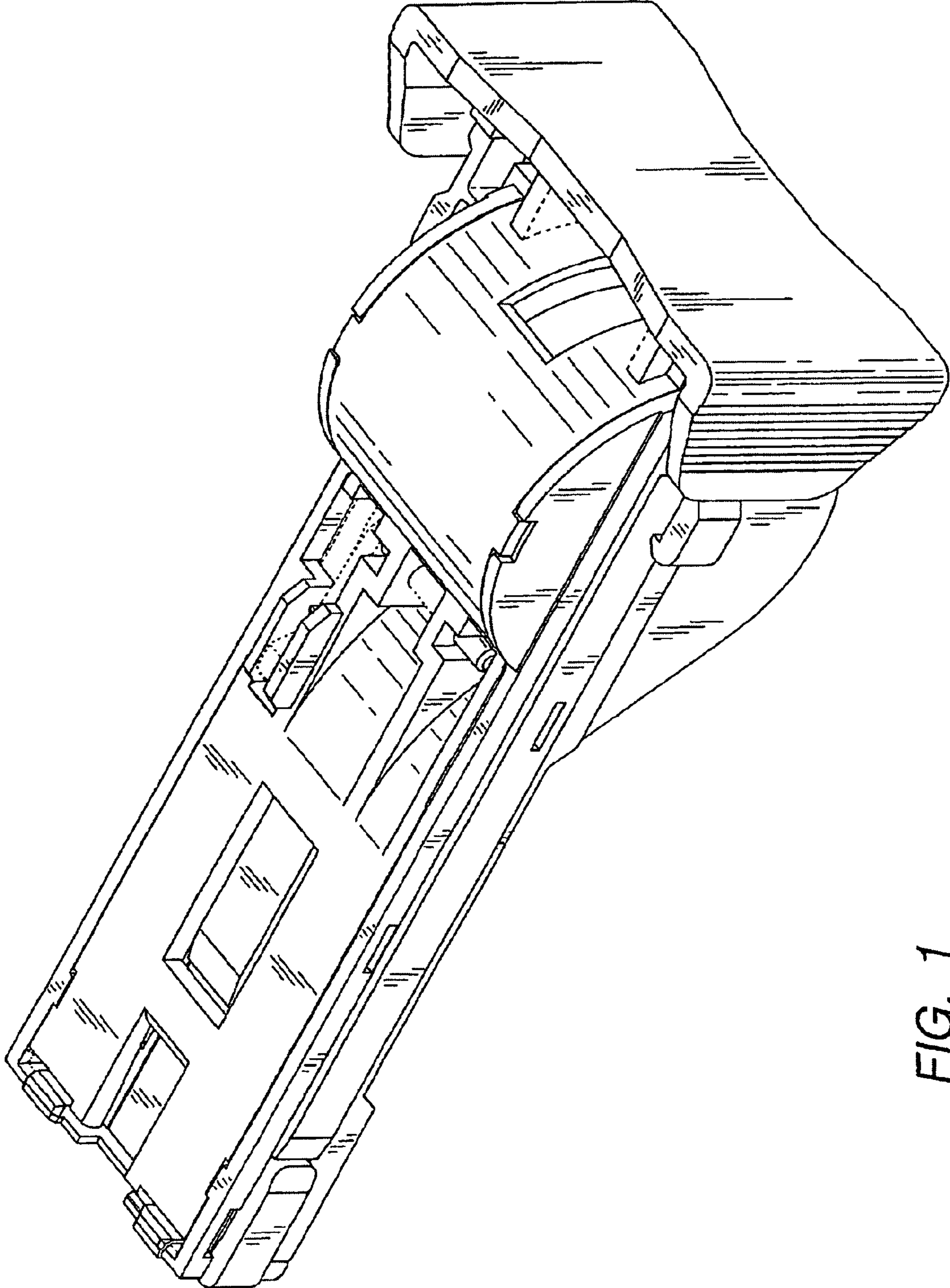


FIG. 1

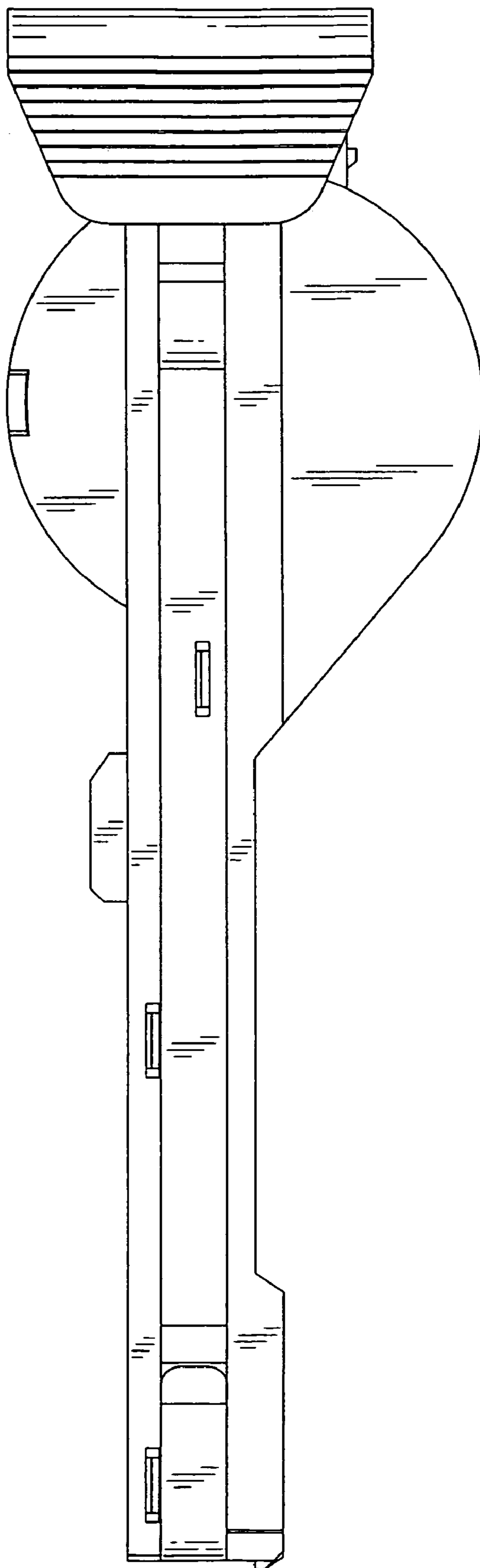


FIG. 2

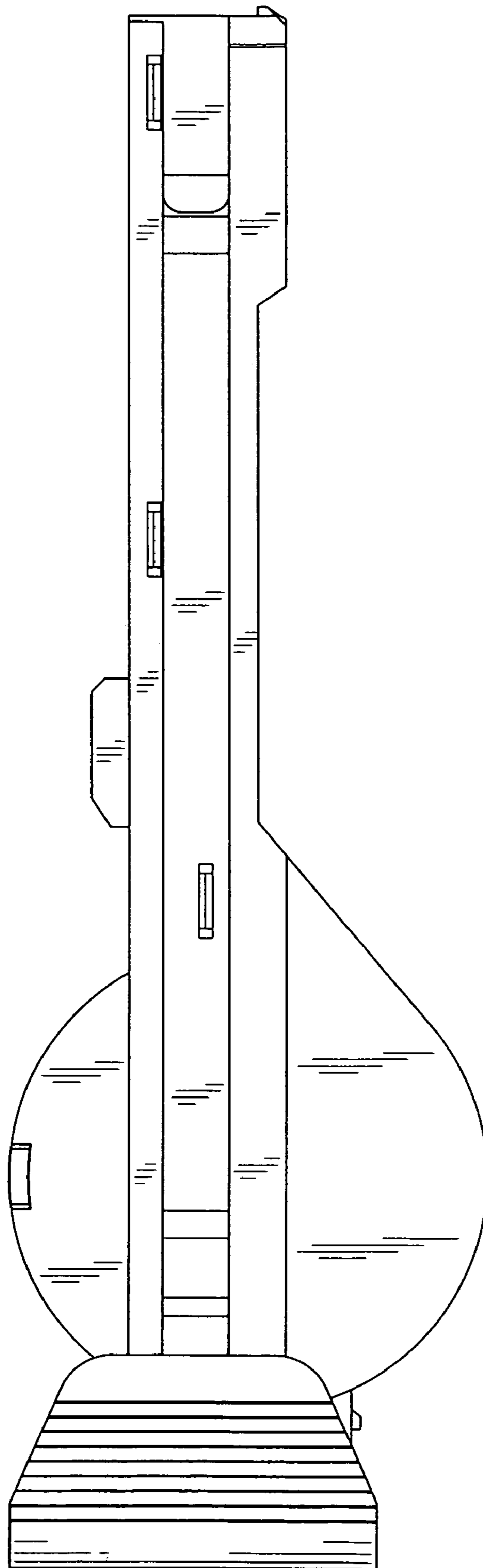


FIG. 3

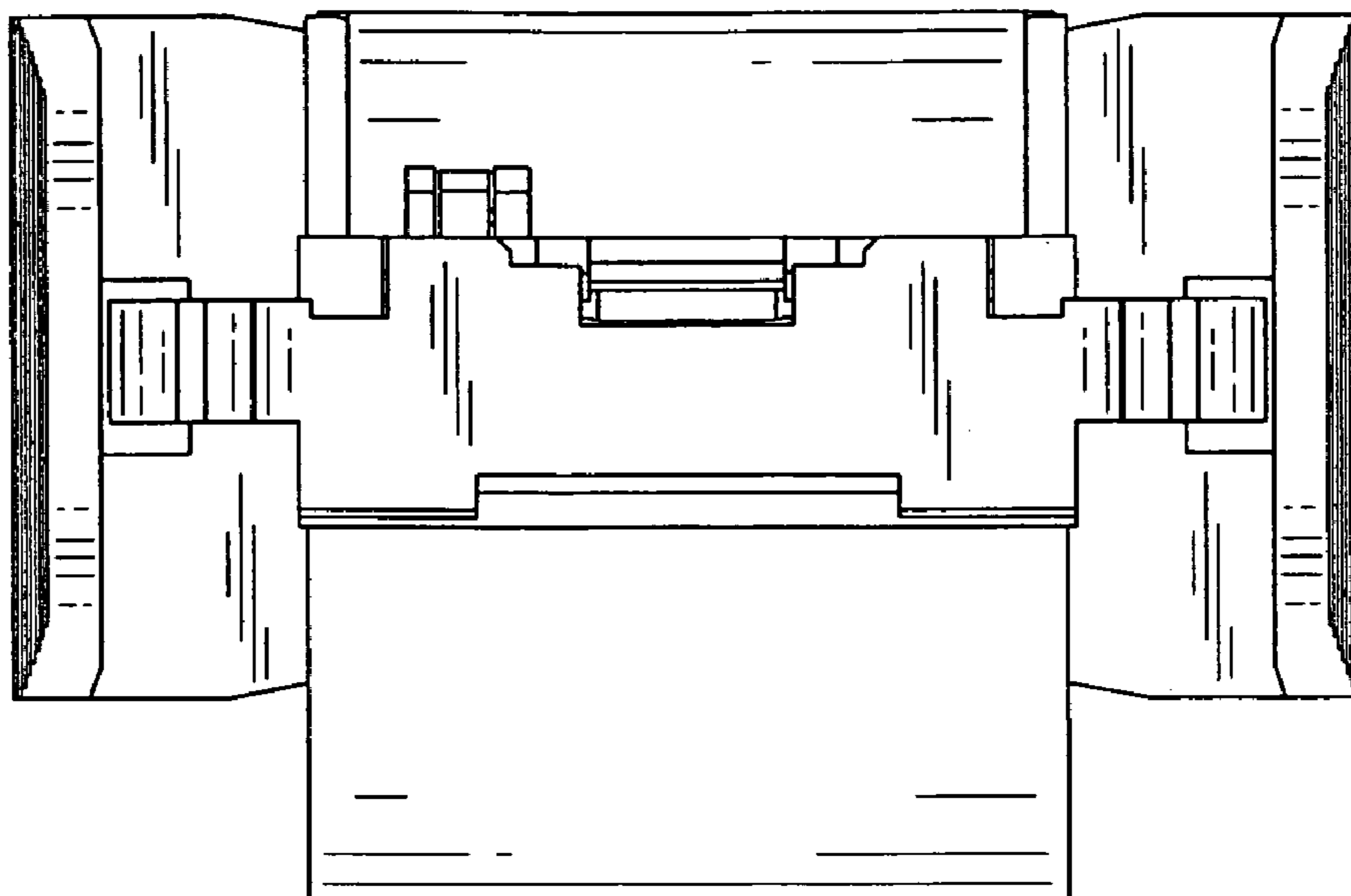


FIG. 4

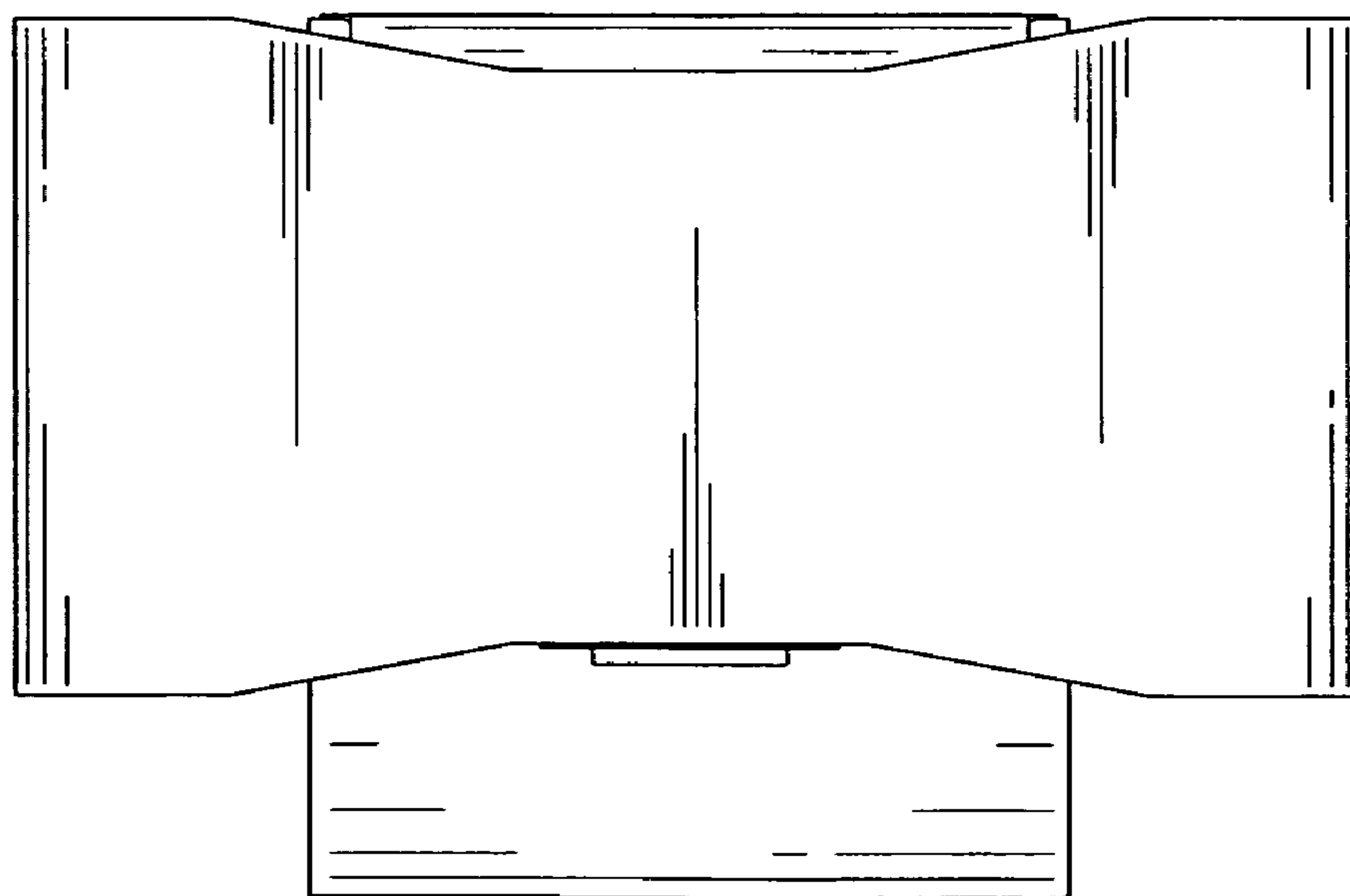


FIG. 5

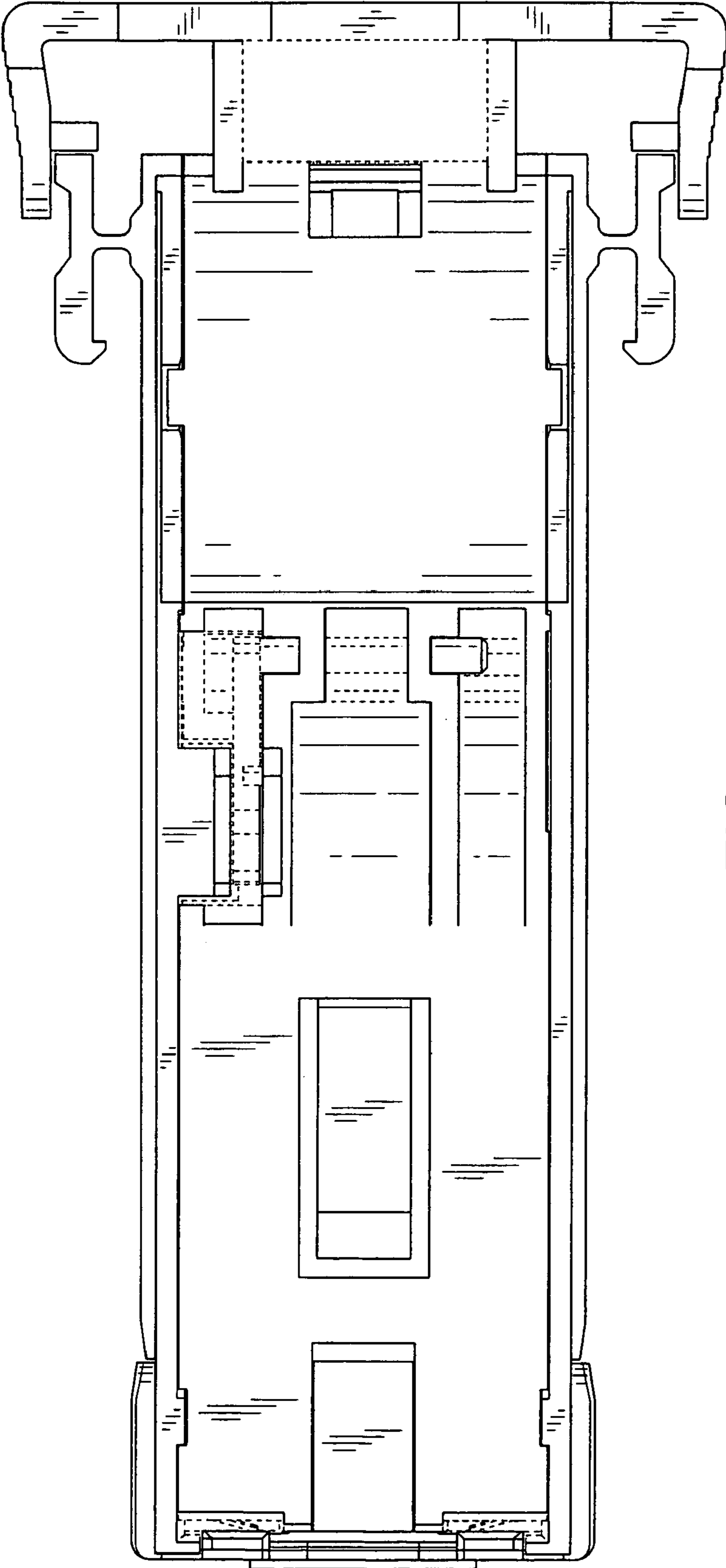


FIG. 6

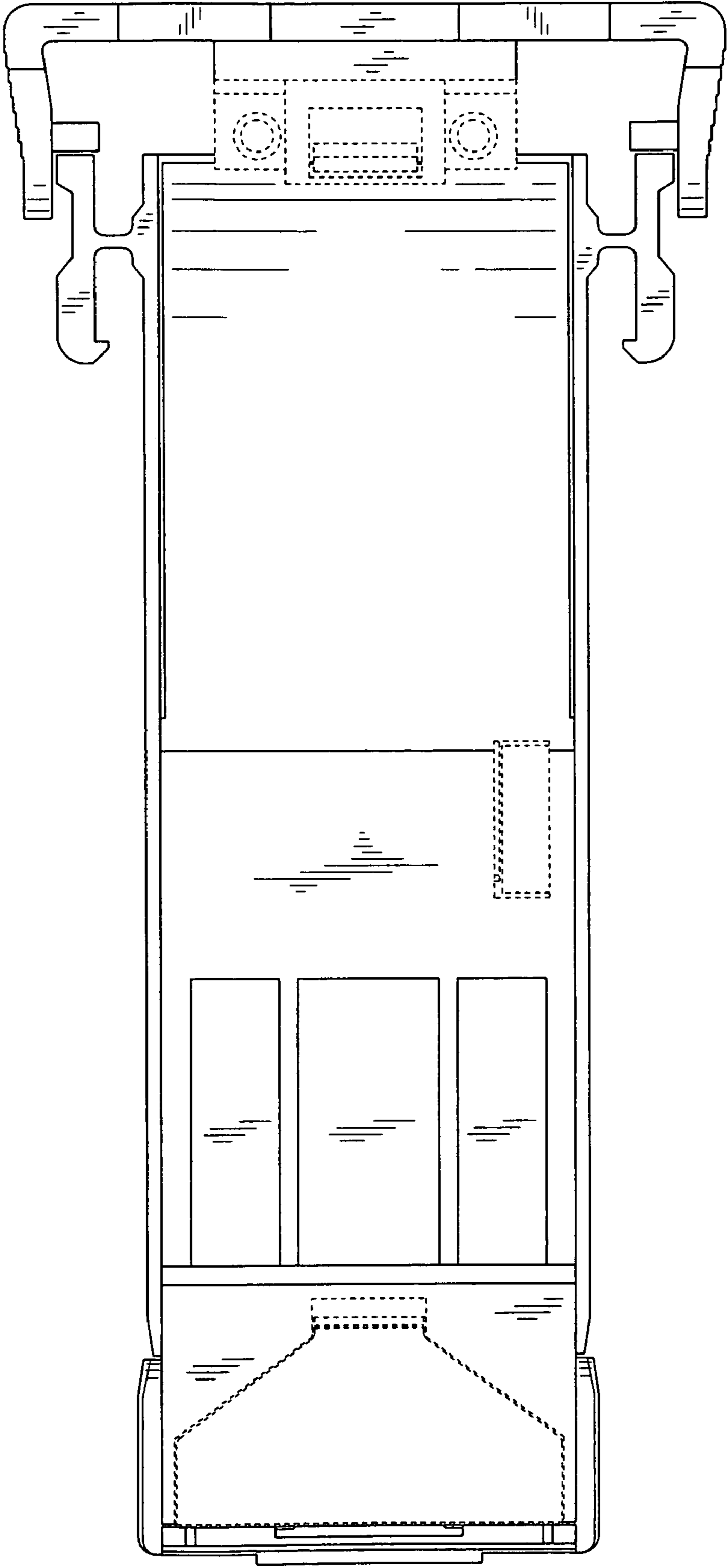


FIG. 7