



US00D593823S

(12) **United States Design Patent**
Patti

(10) **Patent No.:** **US D593,823 S**
(45) **Date of Patent:** **** Jun. 9, 2009**

(54) **MULTIPLE FUNCTION SHANK FOR A NUT DRIVER**

6,378,402 B1 * 4/2002 Kalomeris et al. 81/177.5

(76) Inventor: **Frank Richard Patti**, 5550 Lobos La.,
Atascadero, CA (US) 93422

* cited by examiner

Primary Examiner—Philip S Hyder

(**) Term: **14 Years**

(57) **CLAIM**

(21) Appl. No.: **29/307,734**

The ornamental design for a multiple function shank for a nut driver, as shown and described.

(22) Filed: **May 9, 2008**

DESCRIPTION

(51) **LOC (9) Cl.** **08-05**

FIG. 1 is a perspective view of my multiple function shank for a nut driver showing my new design;

(52) **U.S. Cl.** **D8/21**

FIG. 2 is a top view thereof;

(58) **Field of Classification Search** D8/14,
D8/21, 29, 82; 81/177.1, 177.8, 177.9, 177.5,
81/177.6, 439, 461

FIG. 3 is a bottom plan view thereof;

FIG. 4 is a front elevation view thereof;

See application file for complete search history.

FIG. 5 is a left side elevation view thereof;

FIG. 6 is a rear elevation view thereof;

(56) **References Cited**

U.S. PATENT DOCUMENTS

- 3,850,056 A * 11/1974 Allen 81/438
- 4,334,445 A * 6/1982 Timewell 81/177.7
- 4,899,415 A * 2/1990 Wheeler 81/177.1
- 4,938,106 A * 7/1990 Roberts 81/124.5
- D310,472 S * 9/1990 Mader et al. D8/82
- 5,778,896 A * 7/1998 Seals et al. 81/437
- D396,623 S * 8/1998 Eidsmoe D8/86
- D409,062 S * 5/1999 Braley D8/29
- 6,318,875 B1 * 11/2001 Hrabar et al. 362/119

FIG. 7 is a right side elevation view thereof;

FIG. 8 is a perspective view thereof;

FIG. 9 is a front elevation view thereof;

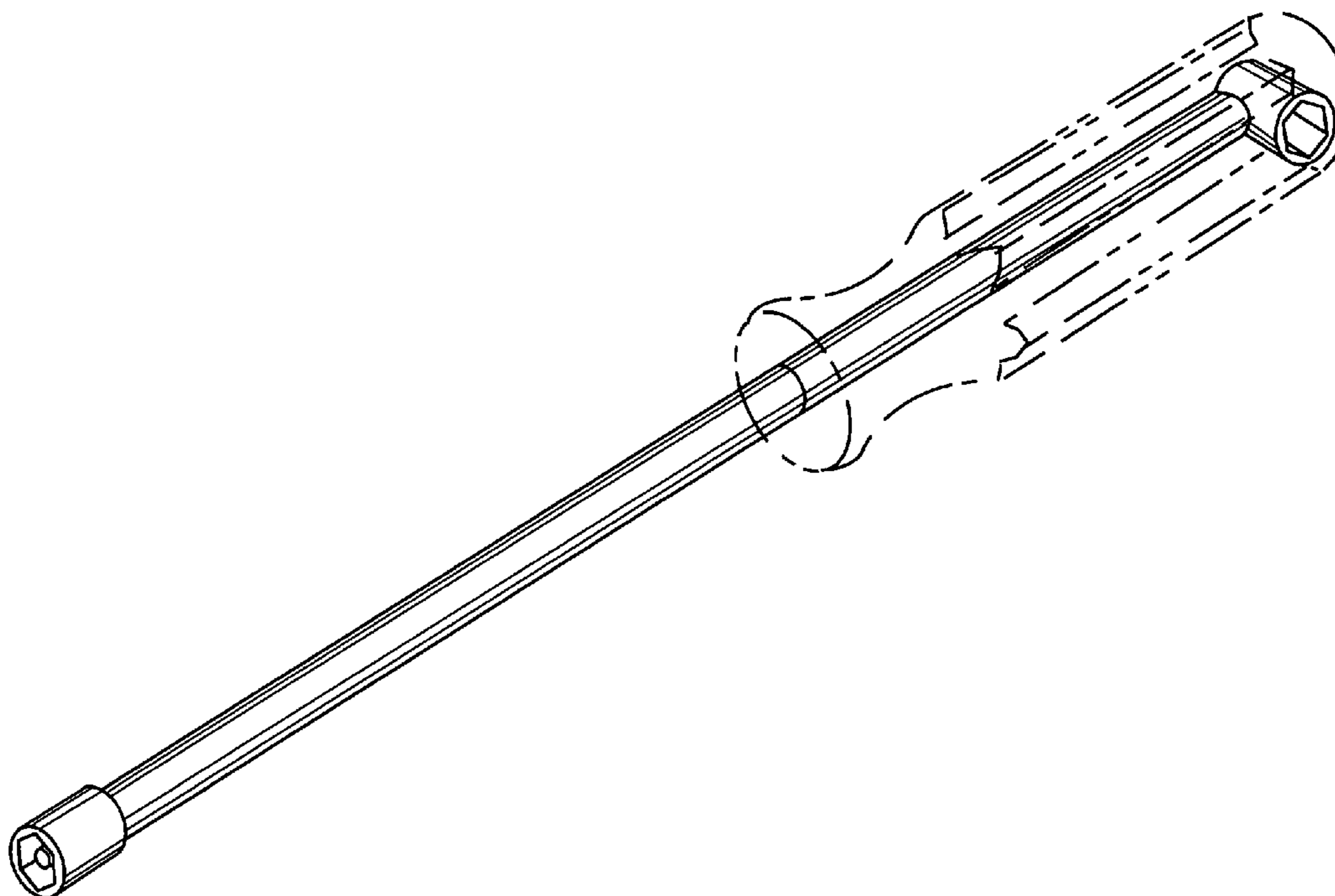
FIG. 10 is a left side elevation view thereof;

FIG. 11 is a rear elevation view thereof; and,

FIG. 12 is a right side elevation view thereof.

The broken line showing of handle in FIGS. 8 through 12 is included for the purpose of illustrating environmental structure and forms no part of the claimed design.

1 Claim, 6 Drawing Sheets



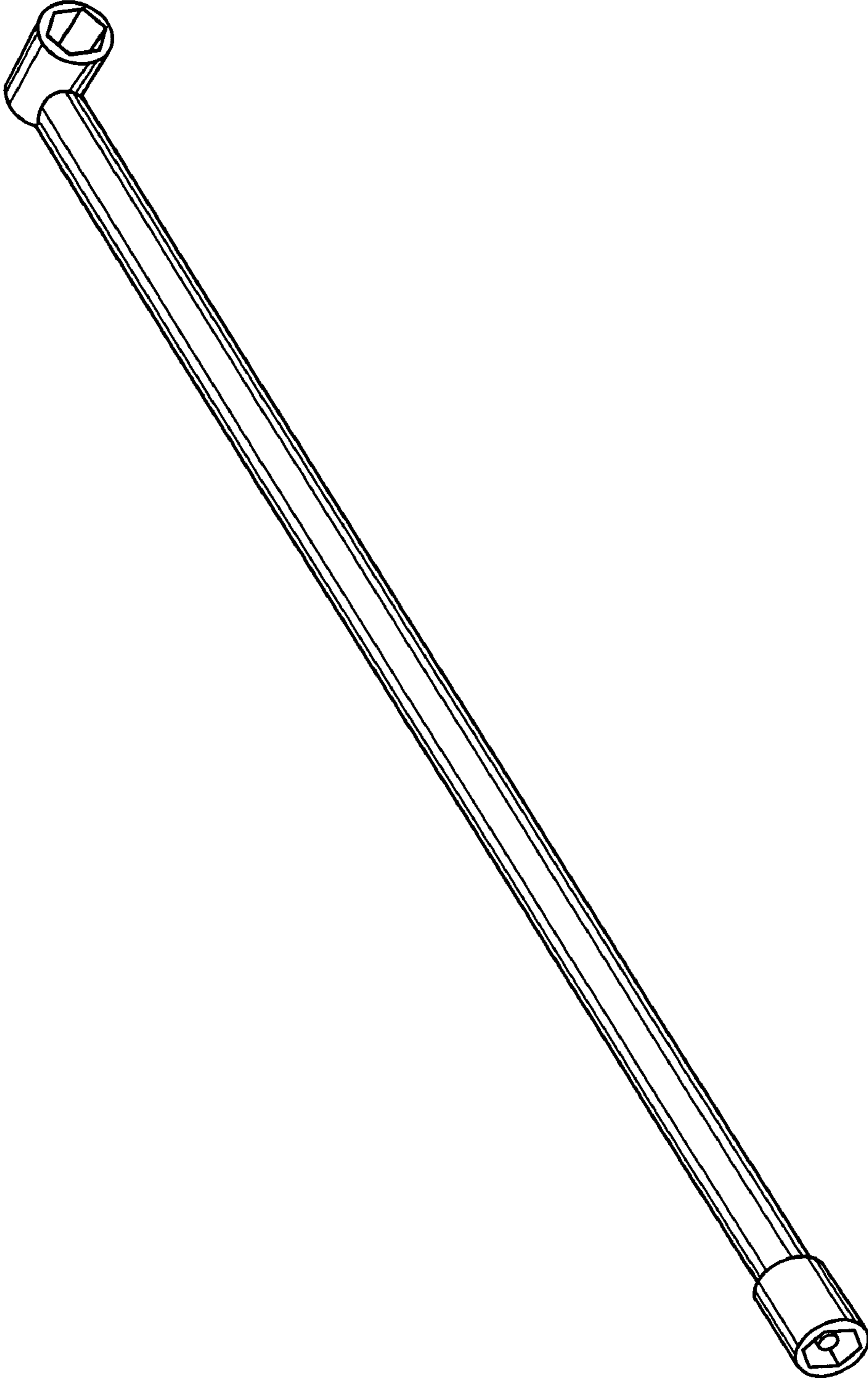


Fig. 1



Fig. 2



Fig. 3

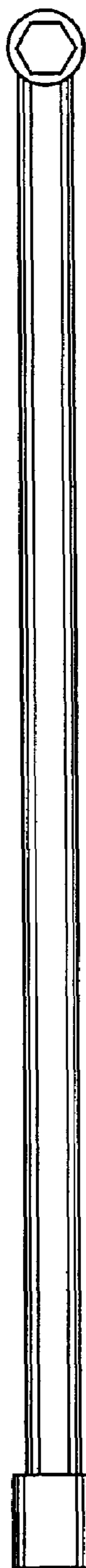


Fig. 4

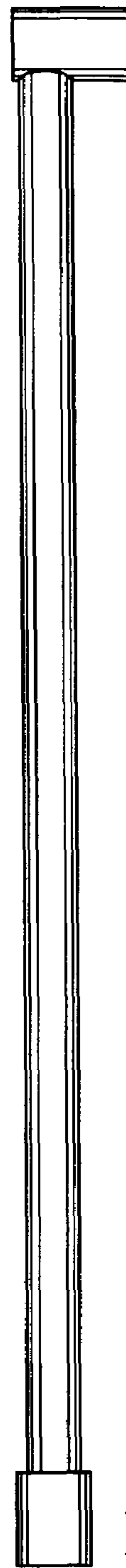


Fig. 5

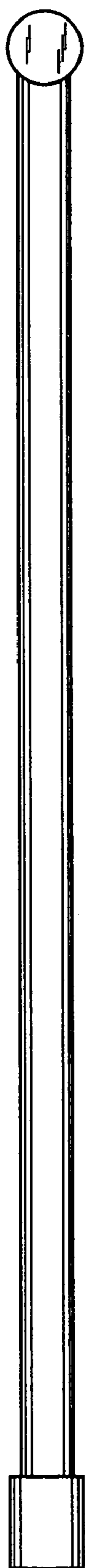


Fig. 6

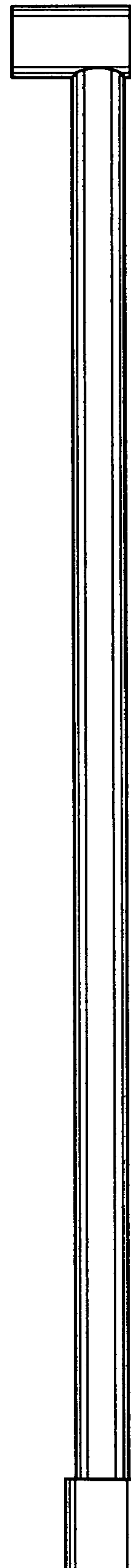


Fig. 7

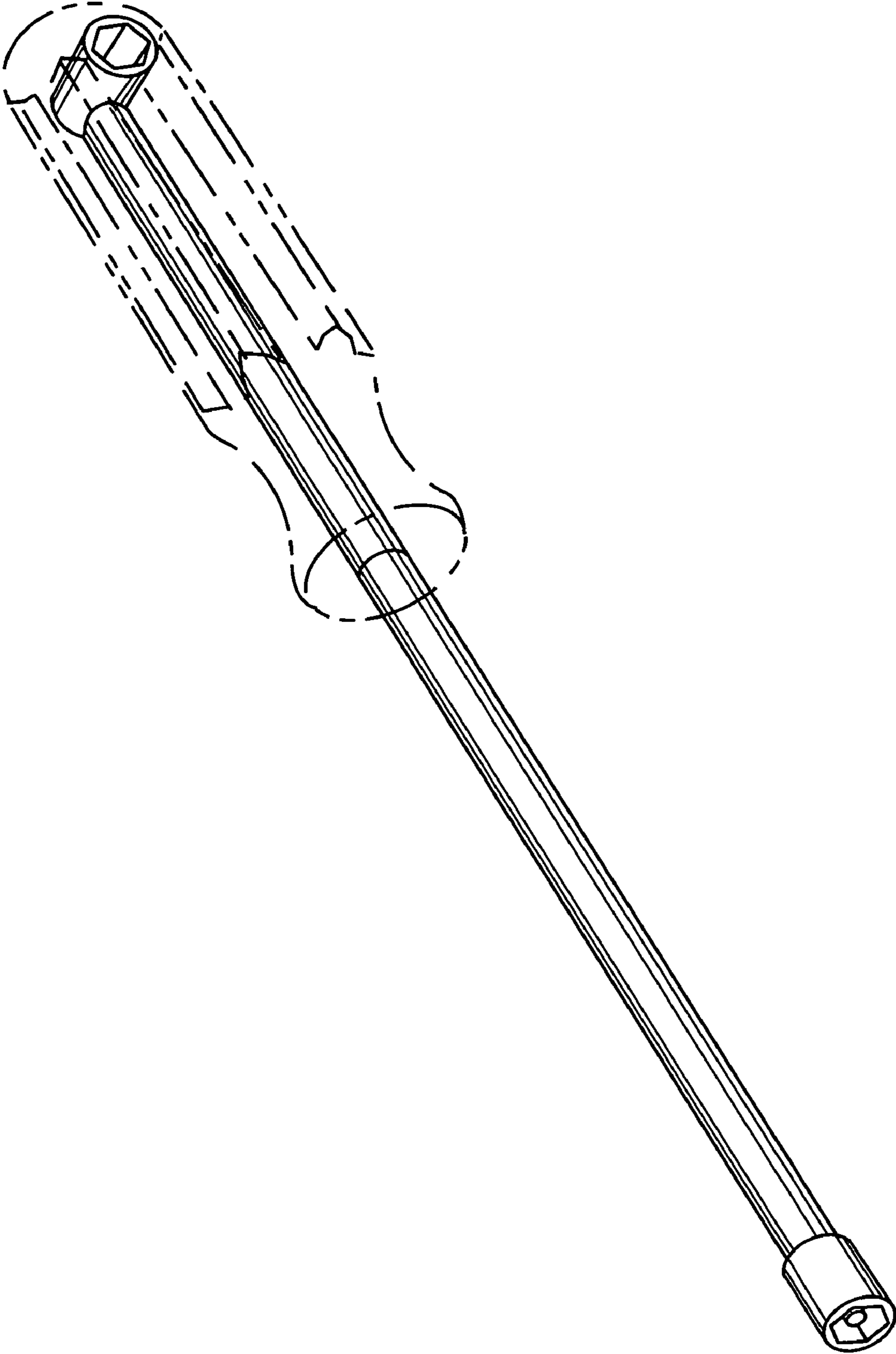


Fig. 8

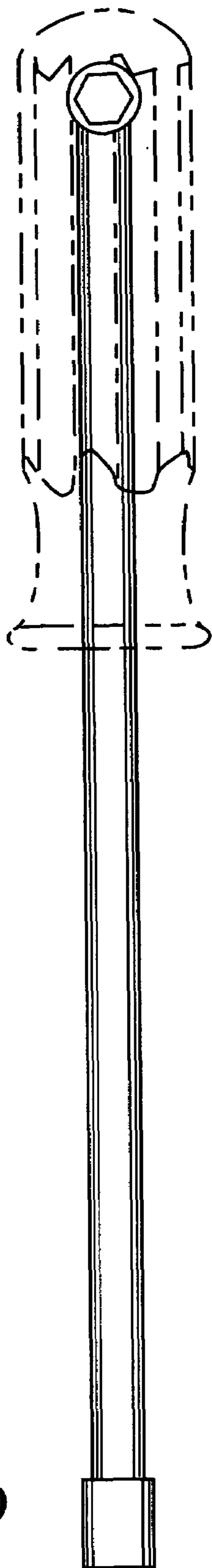


Fig.9

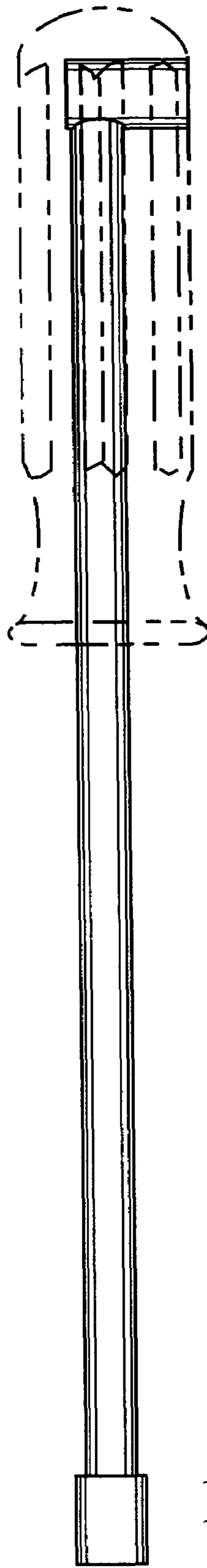


Fig.10

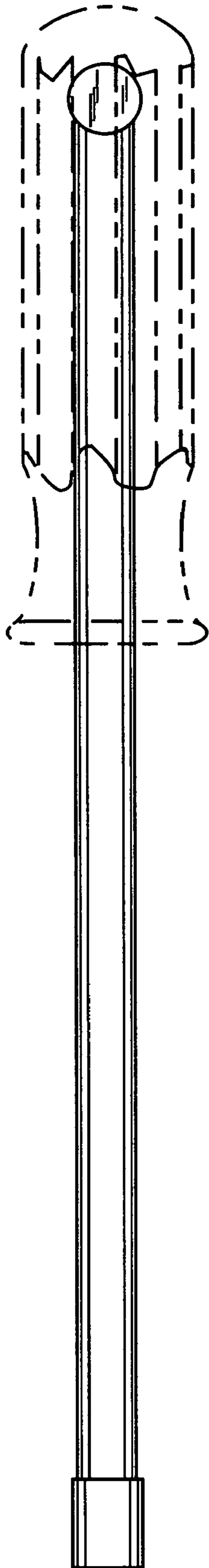


Fig. 11

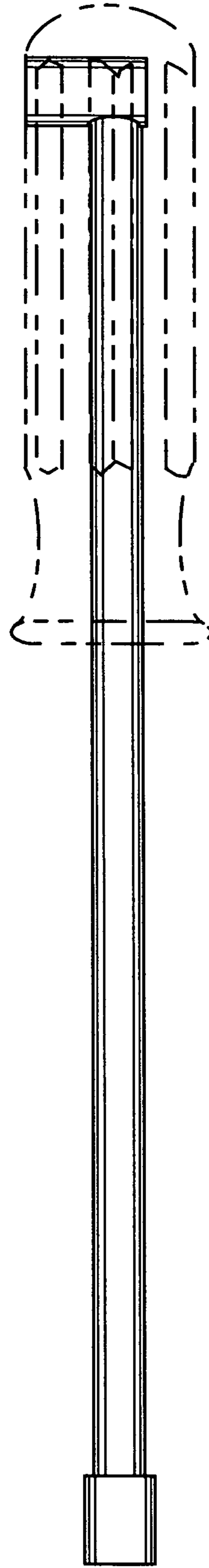


Fig. 12

UNITED STATES PATENT AND TRADEMARK OFFICE
CERTIFICATE OF CORRECTION

PATENT NO. : Des. 593,823 S
APPLICATION NO. : 29/307734
DATED : June 9, 2009
INVENTOR(S) : Frank Richard Patti

Page 1 of 2

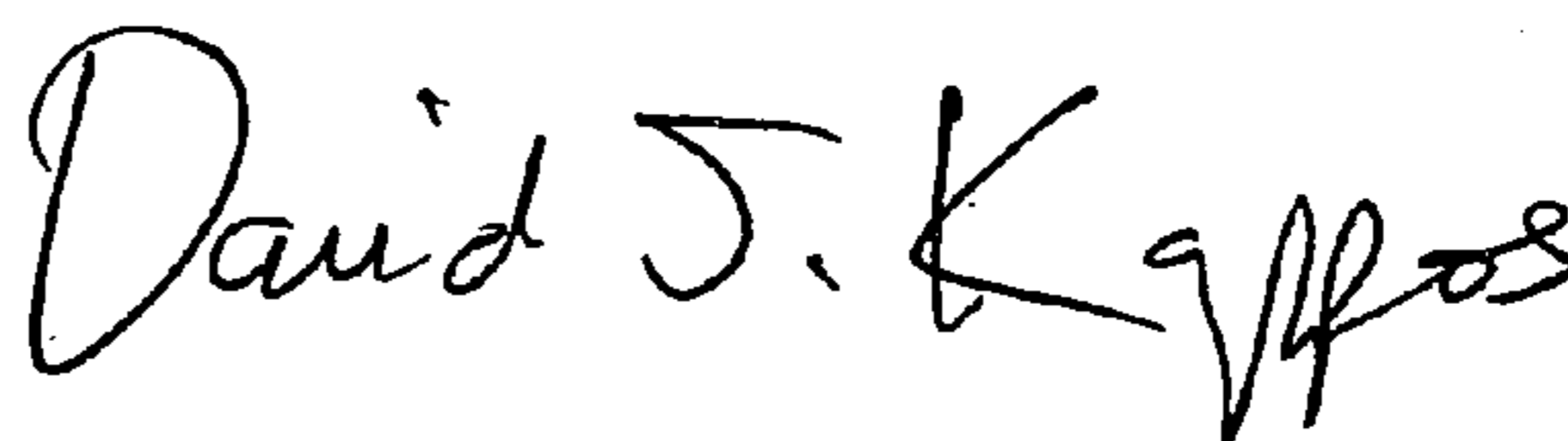
It is certified that error appears in the above-identified patent and that said Letters Patent is hereby corrected as shown below:

1. Specifically, on the front page of the patent, under the heading, DESCRIPTION, the word plan has been erroneously omitted from the description for Fig. 2. The sentence should read; Fig. 2 is a top plan view thereof;
2. Specifically, on page 2 of the drawing sheets, Fig. 2, Fig. 3, Fig. 4, and Fig. 5 have all been shrunk down . These Figs. are now not proportionately the same as all of the other Figs in the patent.

The drawing sheet, consisting of Figs. 11 and 12, should be deleted to be replaced with the drawing sheet, consisting of Figs. 11 and 12, as shown on the attached pages.

Signed and Sealed this

Tenth Day of November, 2009



David J. Kappos
Director of the United States Patent and Trademark Office

U.S. Patent

Jun. 9, 2009

Sheet 6 of 6

D593,823 S

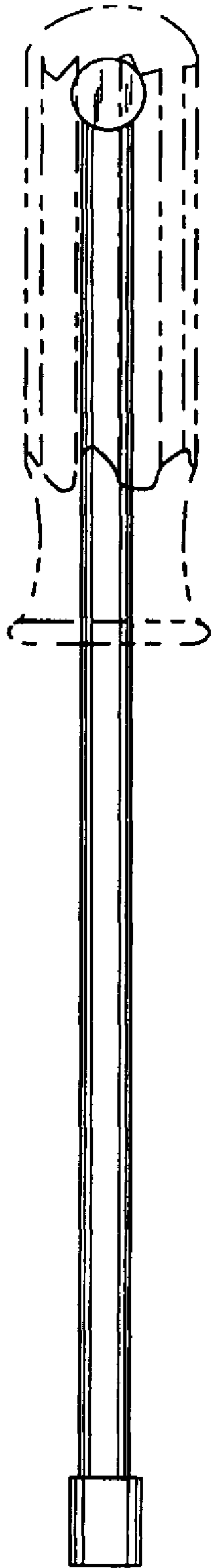


Fig. 11

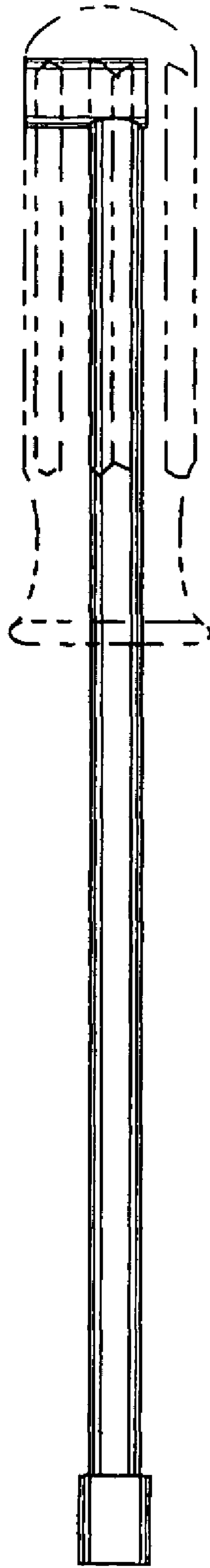


Fig. 12