



US00D593822S

(12) **United States Design Patent**
Randolph et al.

(10) **Patent No.:** **US D593,822 S**
(45) **Date of Patent:** **** Jun. 9, 2009**

(54) **EMBOSSED SOCKET FOR GARDEN TOOL**

(75) Inventors: **David A. Randolph**, State College, PA (US); **James M. Wagner**, Lewistown, PA (US); **Cloyd R. Shawver**, Lewistown, PA (US); **David L. Gallaway**, Mount Union, PA (US)

(73) Assignee: **Ames True Temper, Inc.**, Camp Hill, PA (US)

(**) Term: **14 Years**

(21) Appl. No.: **29/317,682**

(22) Filed: **May 5, 2008**

(51) **LOC (9) Cl.** **08-01**

(52) **U.S. Cl.** **D8/10**

(58) **Field of Classification Search** D8/10;
294/49, 54.5, 58, 57

See application file for complete search history.

(56) **References Cited**

U.S. PATENT DOCUMENTS

- 1,901,778 A * 3/1933 Schlag 172/372
- 4,888,846 A * 12/1989 Natale 15/236.01
- D395,211 S * 6/1998 Linden et al. D8/10
- D426,436 S * 6/2000 Ng D8/10

- D551,524 S * 9/2007 Norton et al. D8/10
- D558,004 S * 12/2007 Kelly, Jr. D8/10

* cited by examiner

Primary Examiner—Holly H Baynham
Assistant Examiner—Sheryl Lane
(74) *Attorney, Agent, or Firm*—Eckert Seamans Cherin & Mellott, LLC; David C. Jenkins, Esq.

(57) **CLAIM**

I claim the ornamental design for an embossed socket for garden tool, as shown and described.

DESCRIPTION

FIG. 1 is an isometric view of an embossed socket for garden tool.

FIG. 2 is a front view of an embossed socket for garden tool.

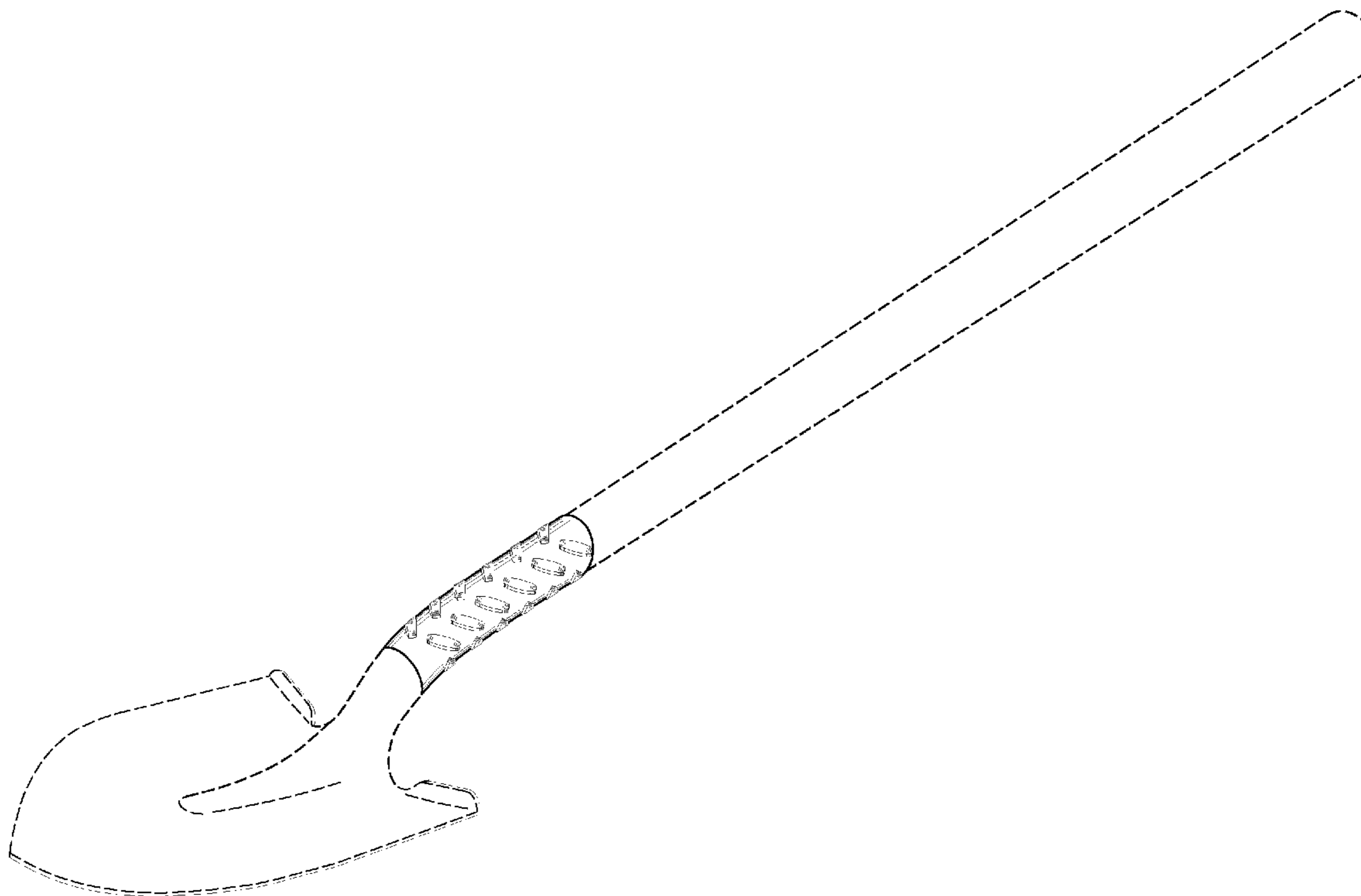
FIG. 3 is a back view of an embossed socket for garden tool.

FIG. 4 is a right side view of an embossed socket for garden tool; and,

FIG. 5 is a left side view of an embossed socket for garden tool.

The broken line showing of the garden tool is included for the purpose of illustrating borders and forms no part of the claimed design.

1 Claim, 3 Drawing Sheets



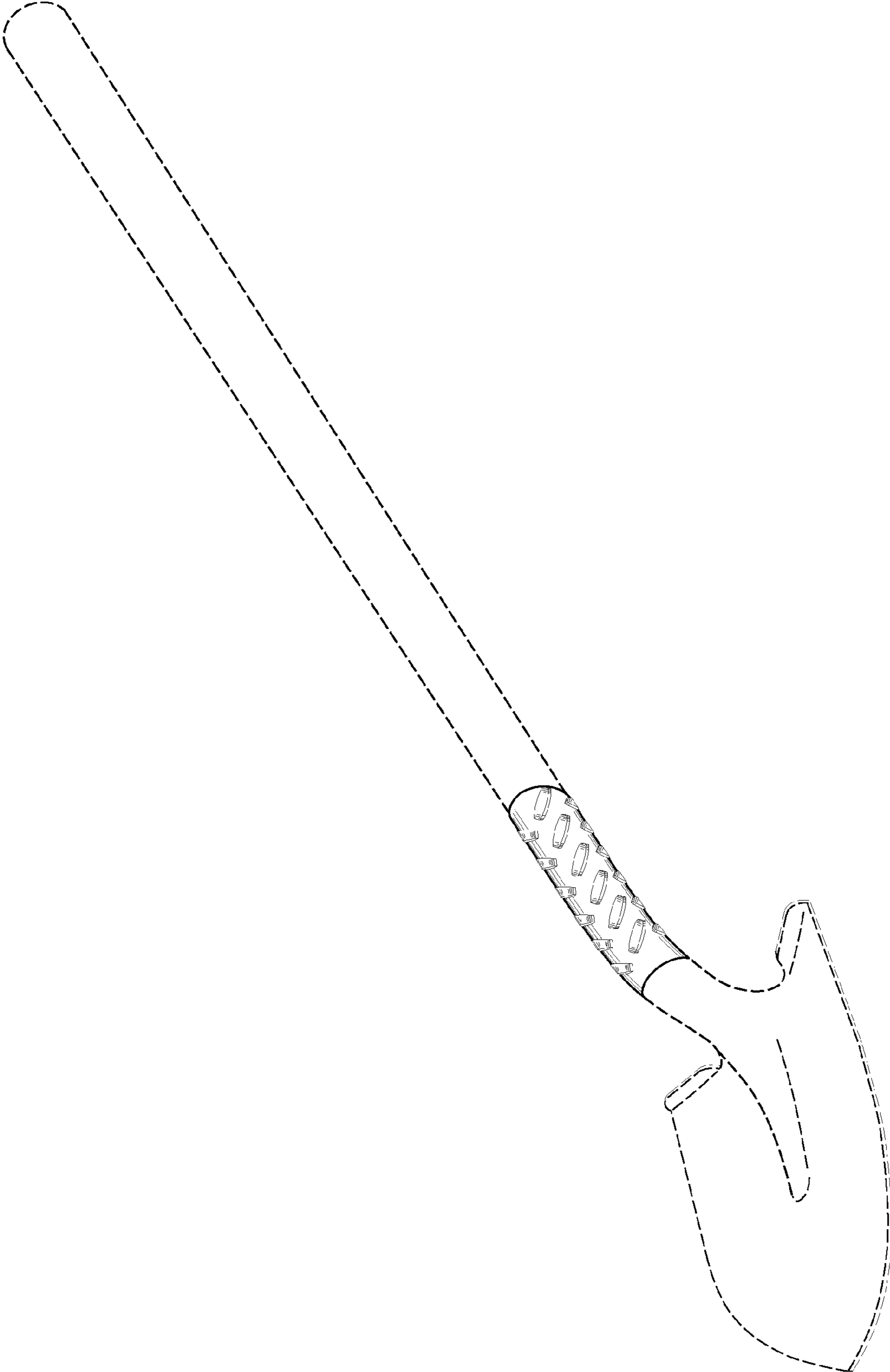


FIG. 1

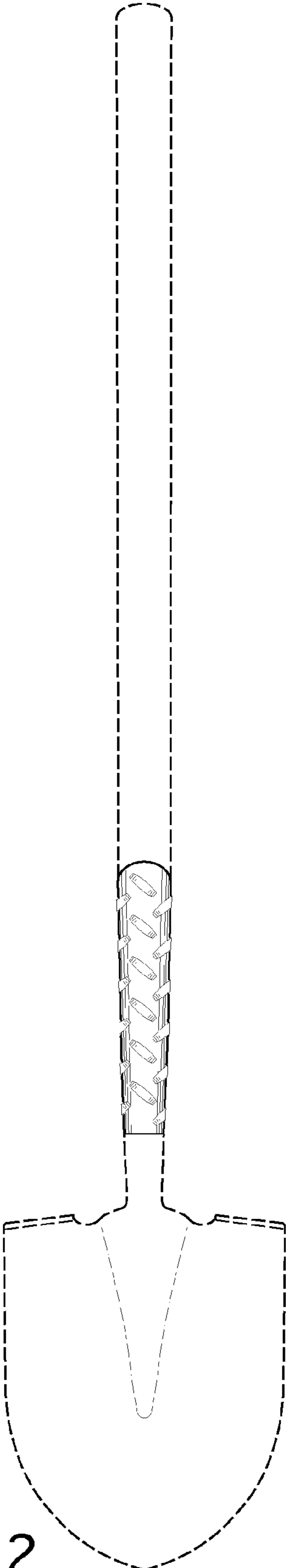


FIG. 2

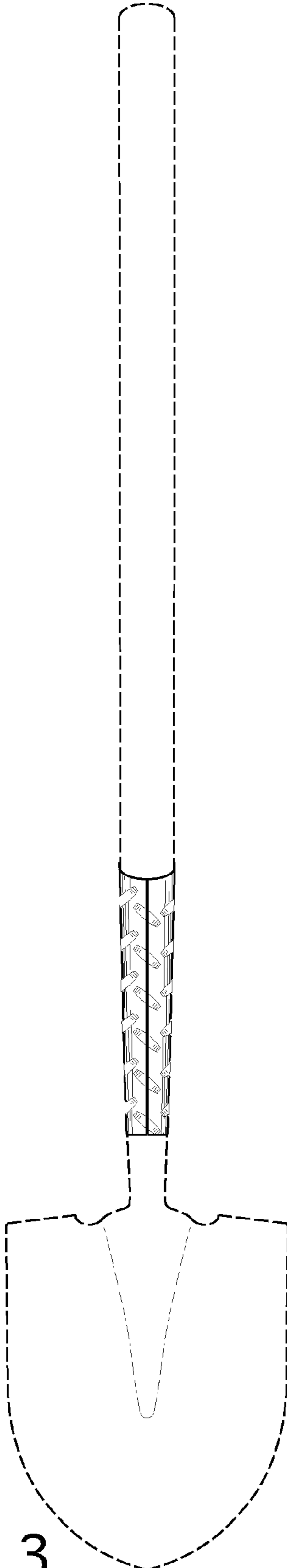


FIG. 3

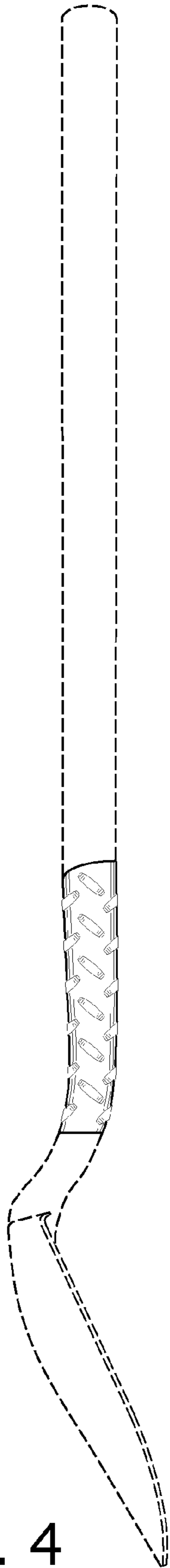


FIG. 4

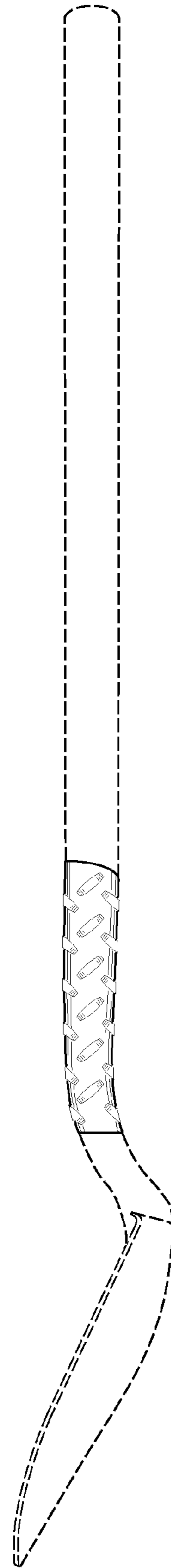


FIG. 5