



US00D593821S

(12) **United States Design Patent**  
**Kopp et al.**

(10) **Patent No.:** **US D593,821 S**  
(45) **Date of Patent:** **\*\* Jun. 9, 2009**

(54) **ERGONOMIC IMPLEMENT HANDLE**

(75) Inventors: **Robert Kopp**, Wheaton, IL (US);  
**Stephen Whitehead**, Elgin, IL (US)

(73) Assignee: **Suncast Technologies, LLC**, Palm  
Beach Gardens, FL (US)

(\*\*) Term: **14 Years**

(21) Appl. No.: **29/317,535**

(22) Filed: **May 1, 2008**

(51) **LOC (9) Cl.** ..... **08-01**

(52) **U.S. Cl.** ..... **D8/10**

(58) **Field of Classification Search** ..... D8/10;  
294/49, 54.5, 58, 57

See application file for complete search history.

(56) **References Cited**

**U.S. PATENT DOCUMENTS**

1,083,054	A *	12/1913	Brown	.....	294/58
2,531,227	A *	11/1950	Lubins	.....	294/58
3,222,699	A *	12/1965	Zeisig	.....	7/158
D377,300	S *	1/1997	Fredrick von Essen	.....	D8/10
D381,875	S *	8/1997	Spear et al.	.....	D8/10
6,704,968	B2 *	3/2004	Lau	.....	16/426
6,830,271	B2 *	12/2004	Piscopo et al.	.....	294/58
7,032,942	B2 *	4/2006	Stuart	.....	294/58
D558,004	S *	12/2007	Kelly, Jr.	.....	D8/10

\* cited by examiner

*Primary Examiner*—Holly H Baynham

*Assistant Examiner*—Sheryl Lane

(74) *Attorney, Agent, or Firm*—McHale & Salvin, P.A.

(57) **CLAIM**

The ornamental design for an ergonomic implement handle, as shown and described.

**DESCRIPTION**

FIG. 1 is a top perspective view of an ergonomic implement handle of the instant invention;

FIG. 2 is a top view thereof;

FIG. 3 is a left side view thereof;

FIG. 4 is a right side view thereof;

FIG. 5 is a front view thereof;

FIG. 6 is a top perspective view of an ergonomic implement handle of the instant invention;

FIG. 7 is a top view thereof;

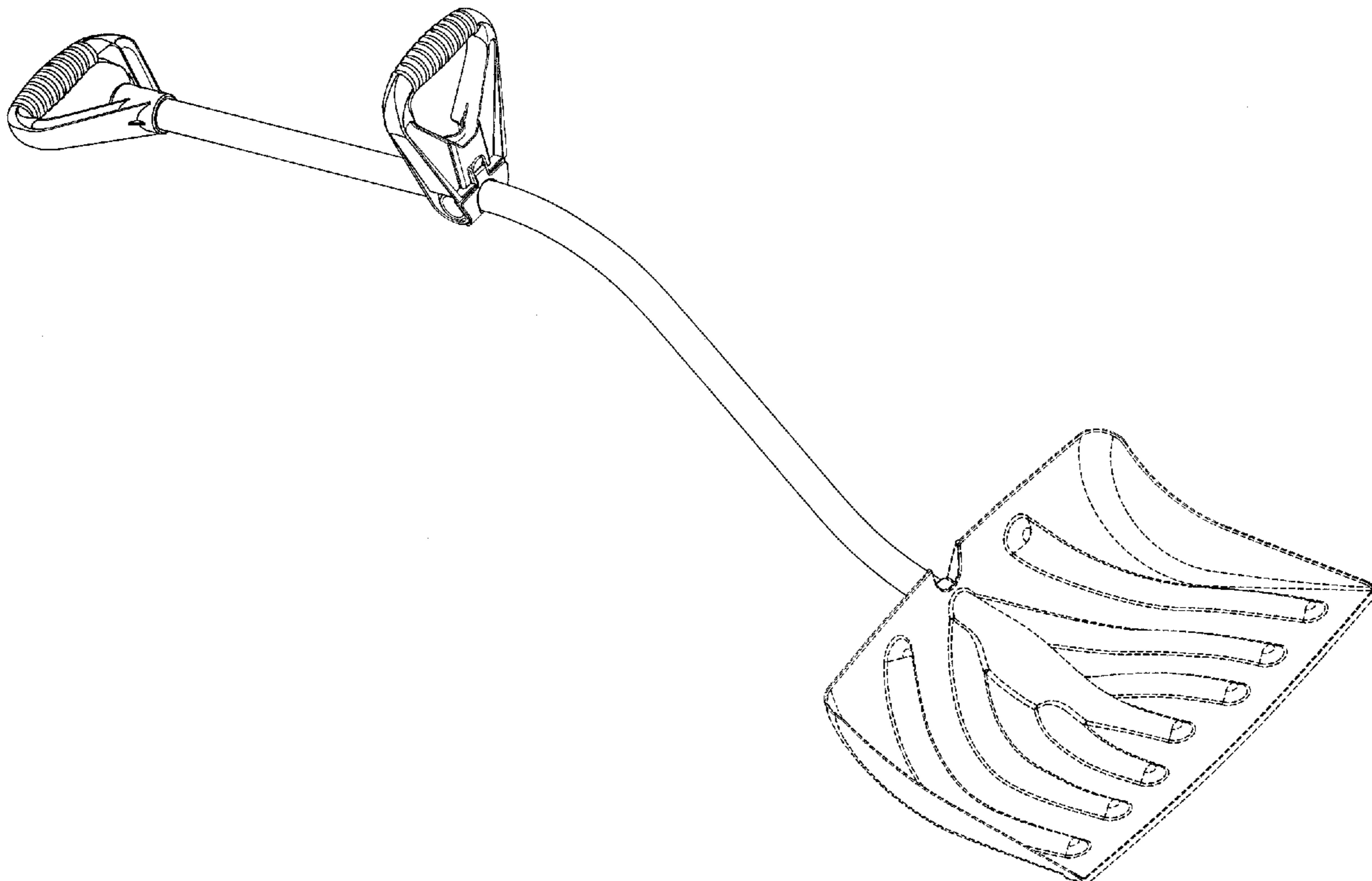
FIG. 8 is a left side view thereof;

FIG. 9 is a right side view thereof; and,

FIG. 10 is a front view thereof.

The portions of drawings illustrated by broken lines are for environmental purposes and form no part of the claimed design.

**1 Claim, 10 Drawing Sheets**



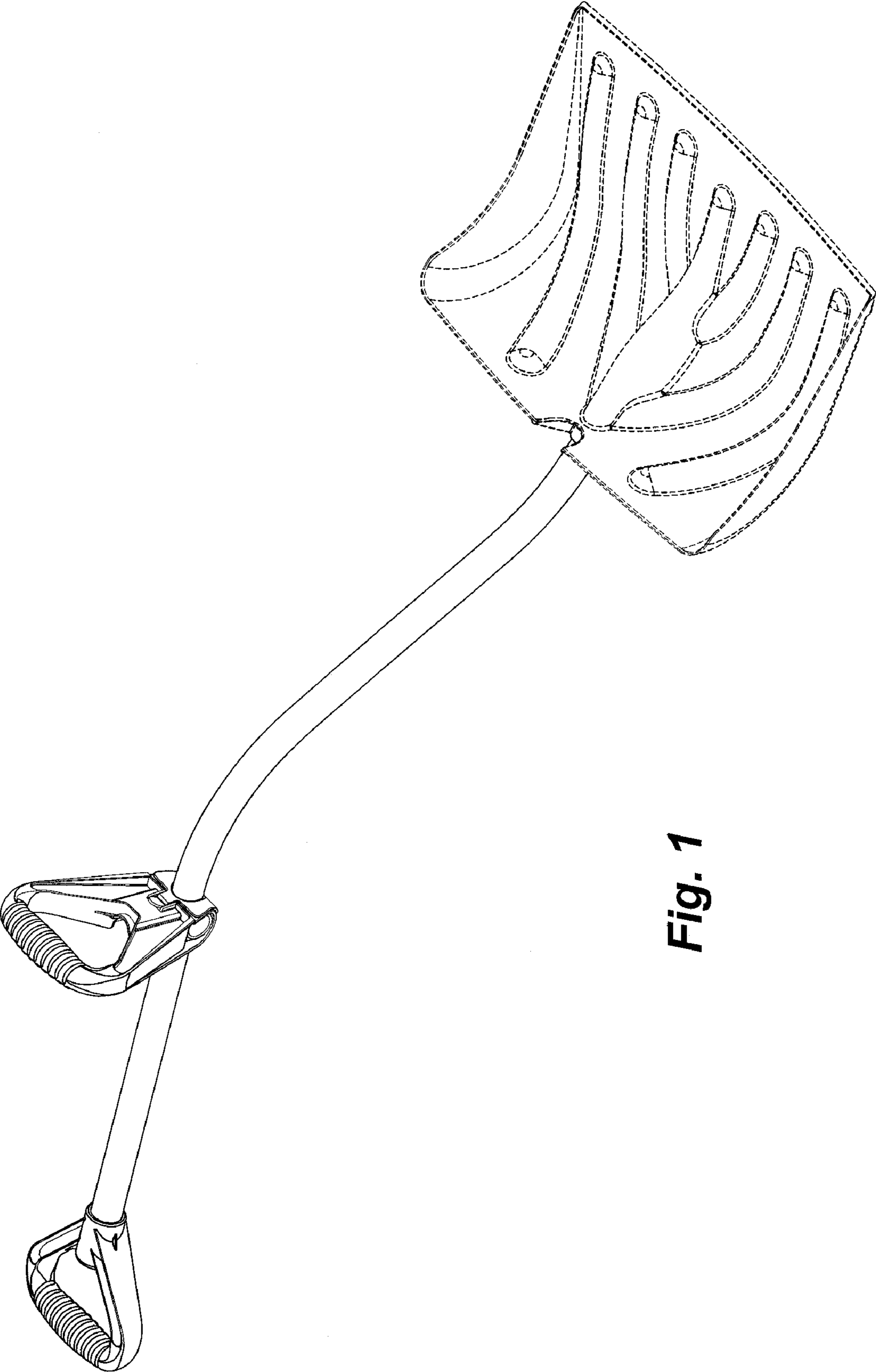


Fig. 1

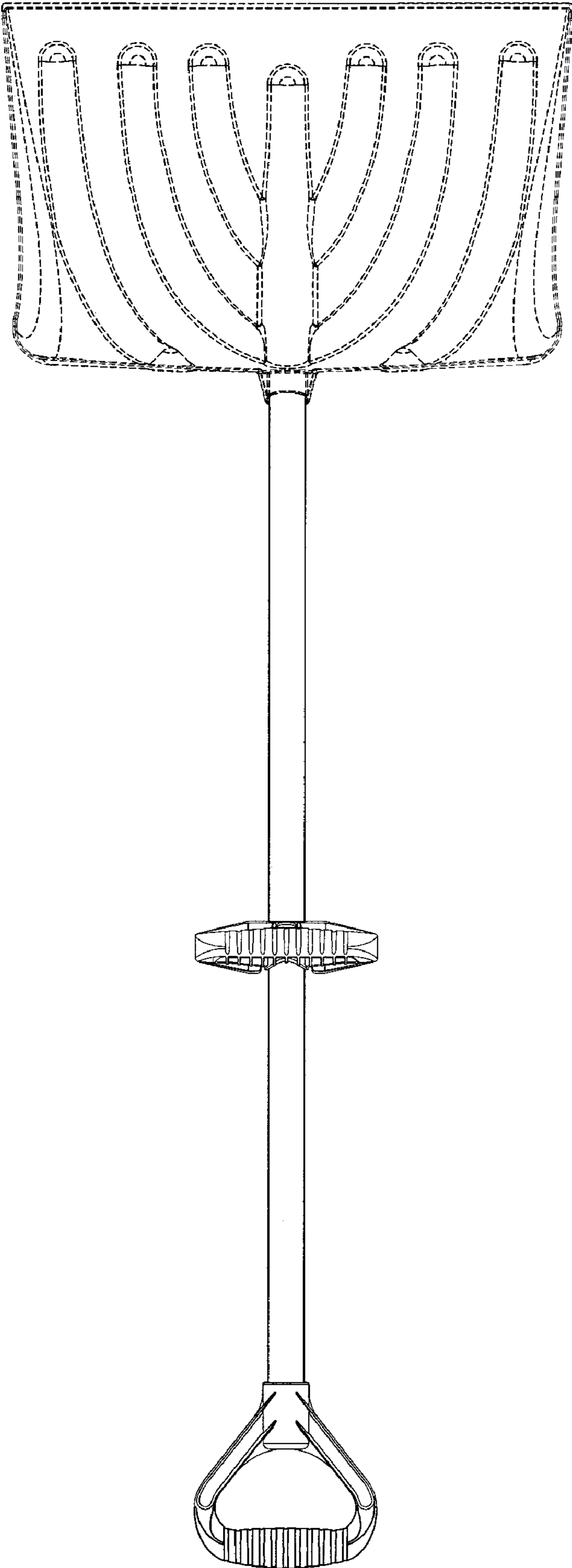


Fig. 2

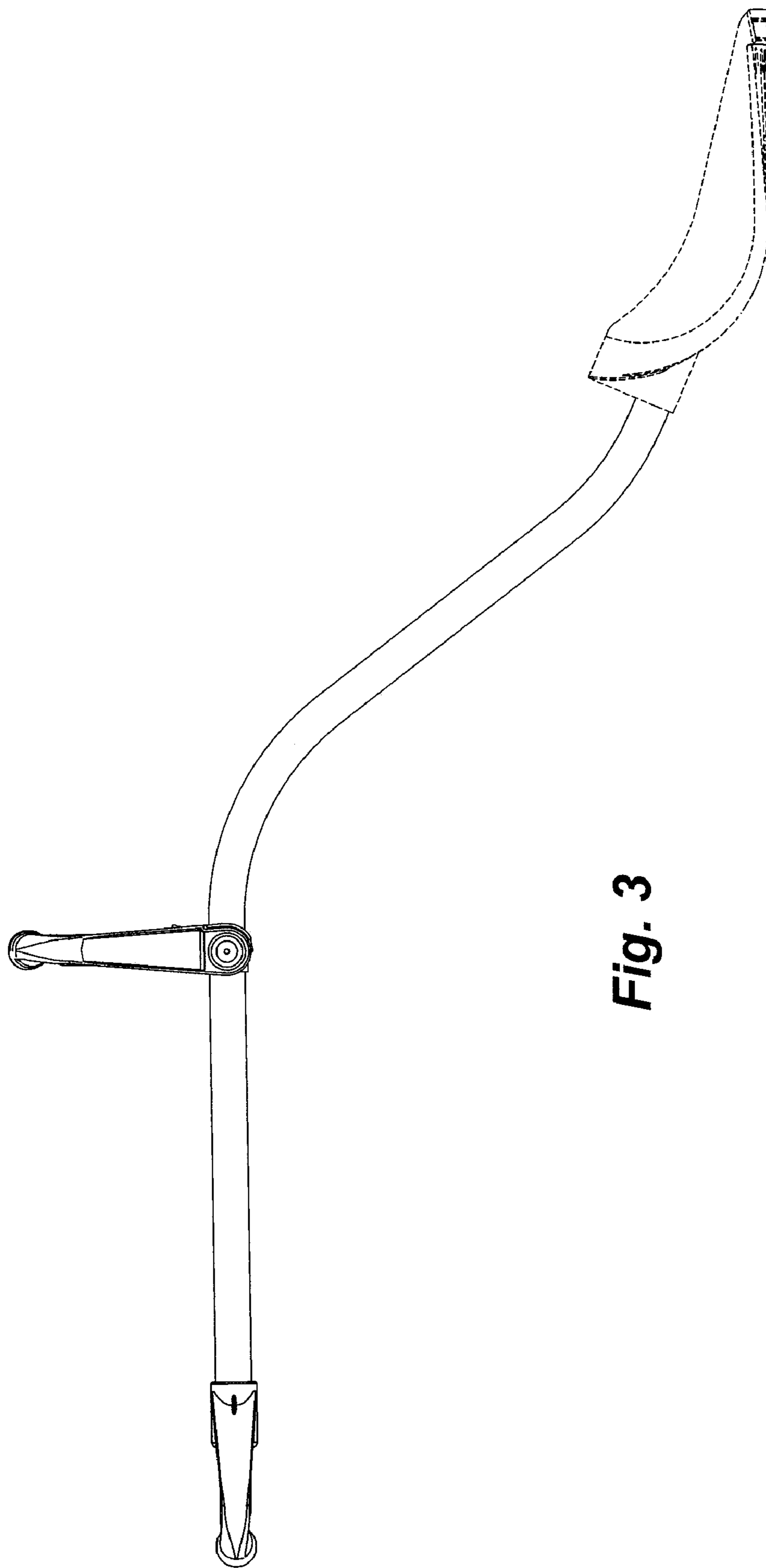


Fig. 3

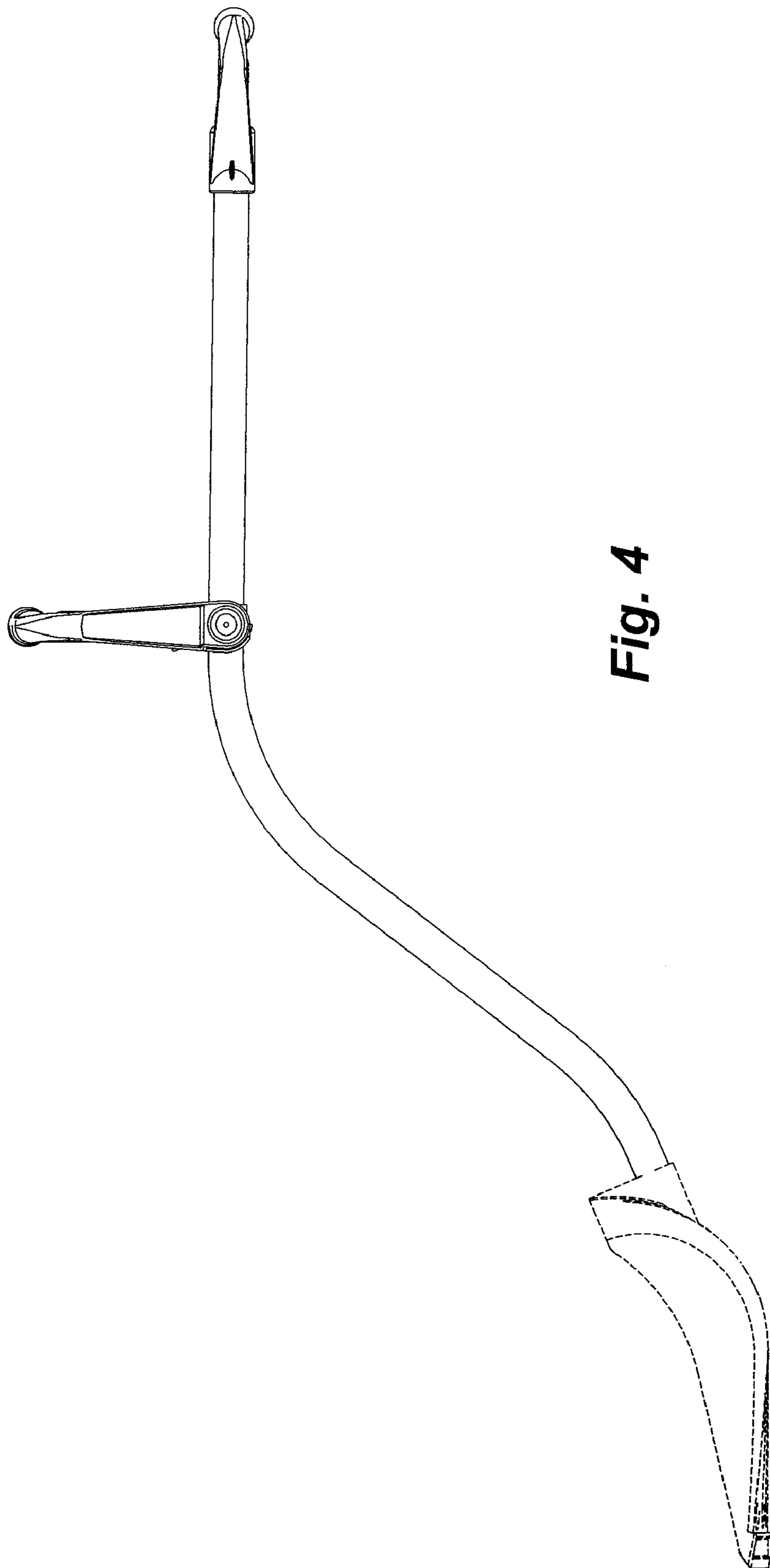
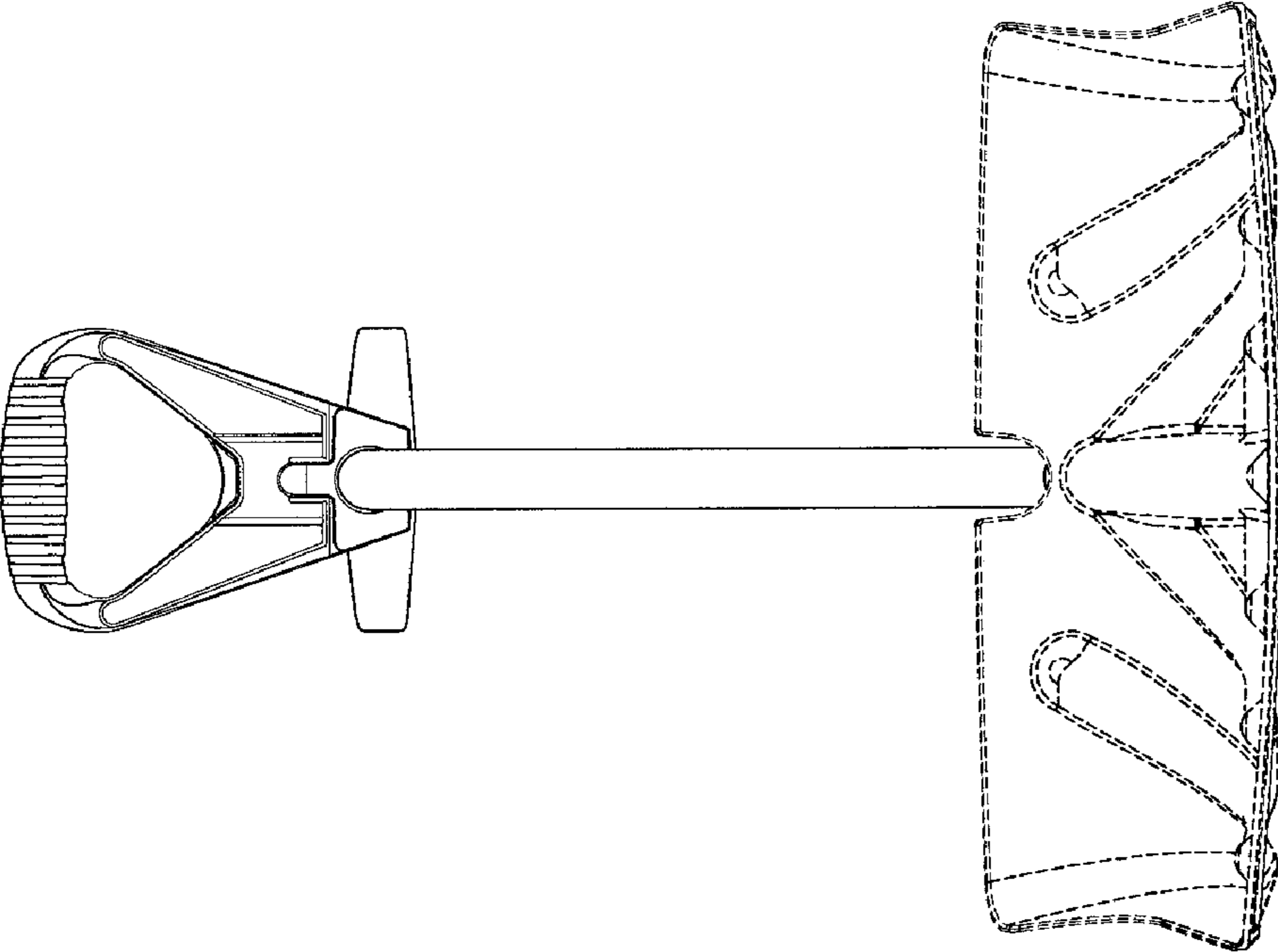


Fig. 4



**Fig. 5**



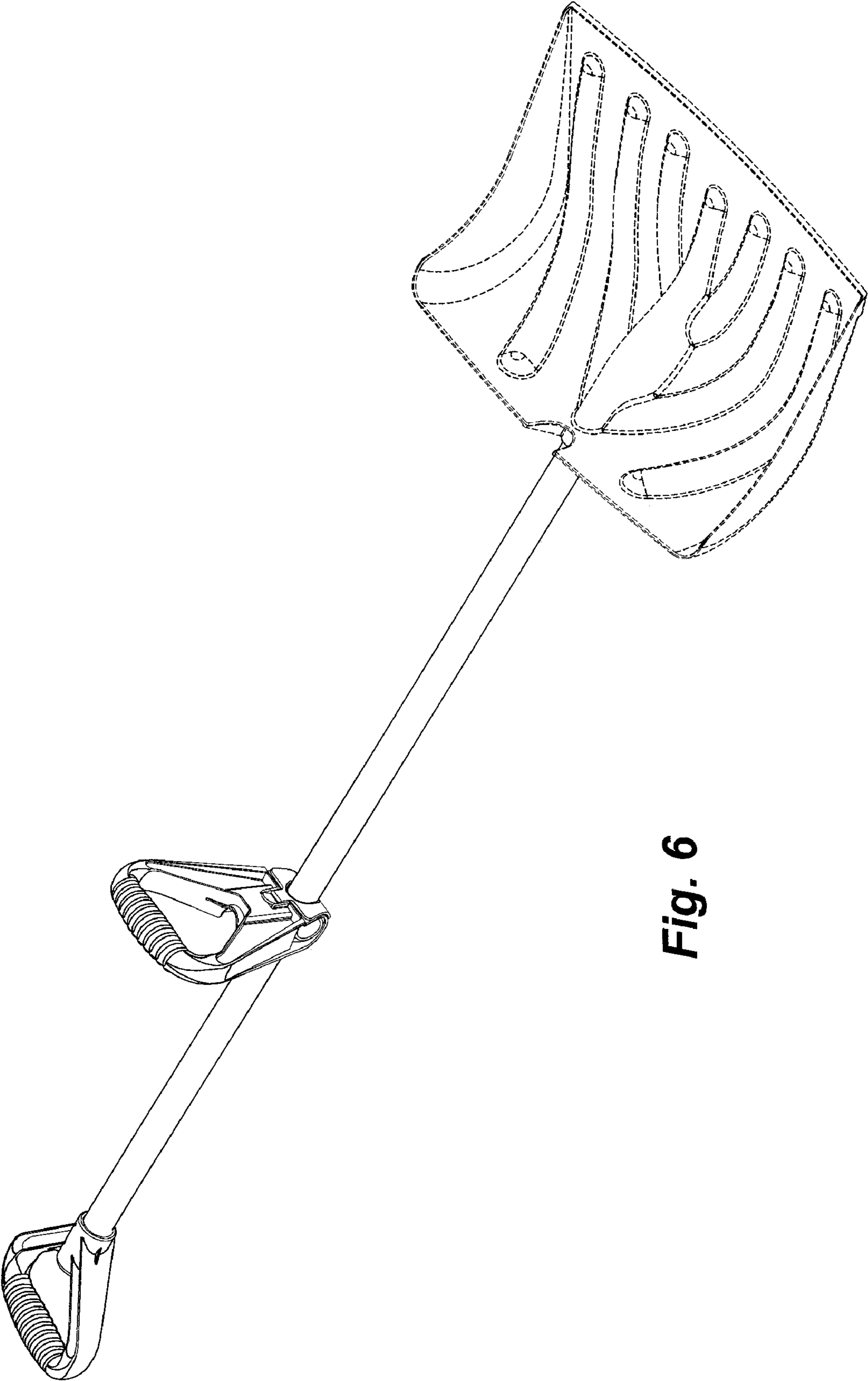


Fig. 6

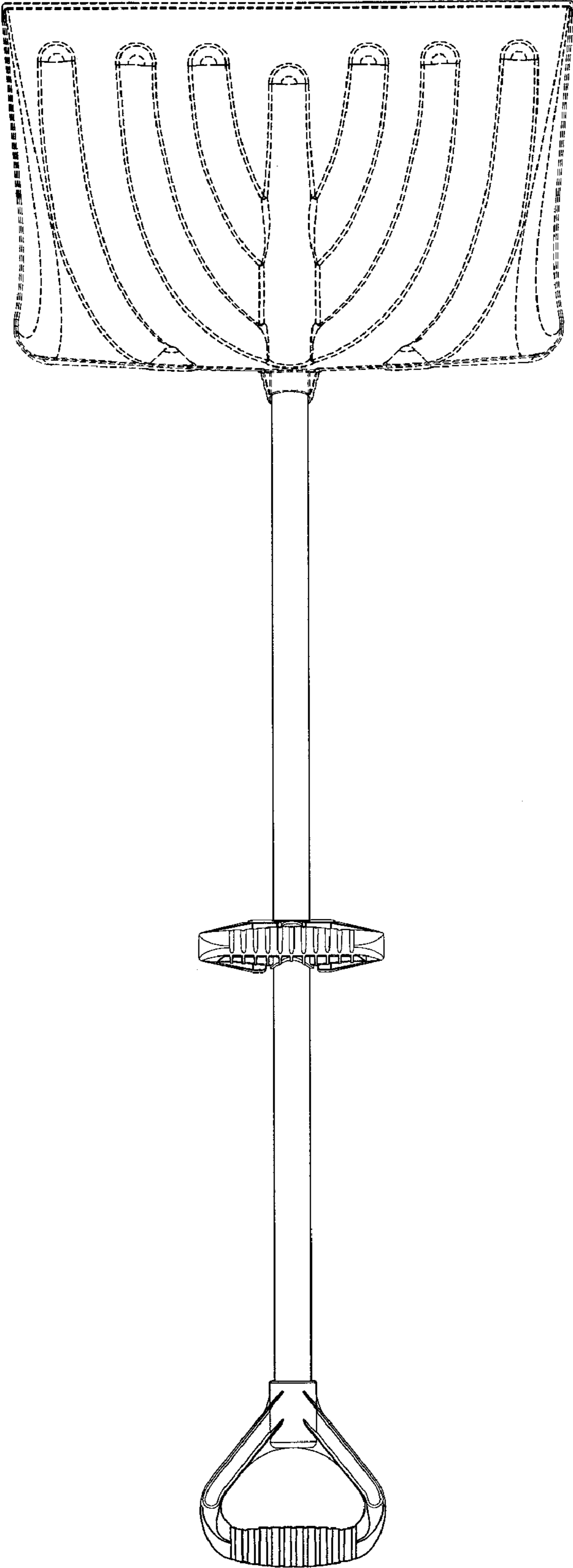


Fig. 7



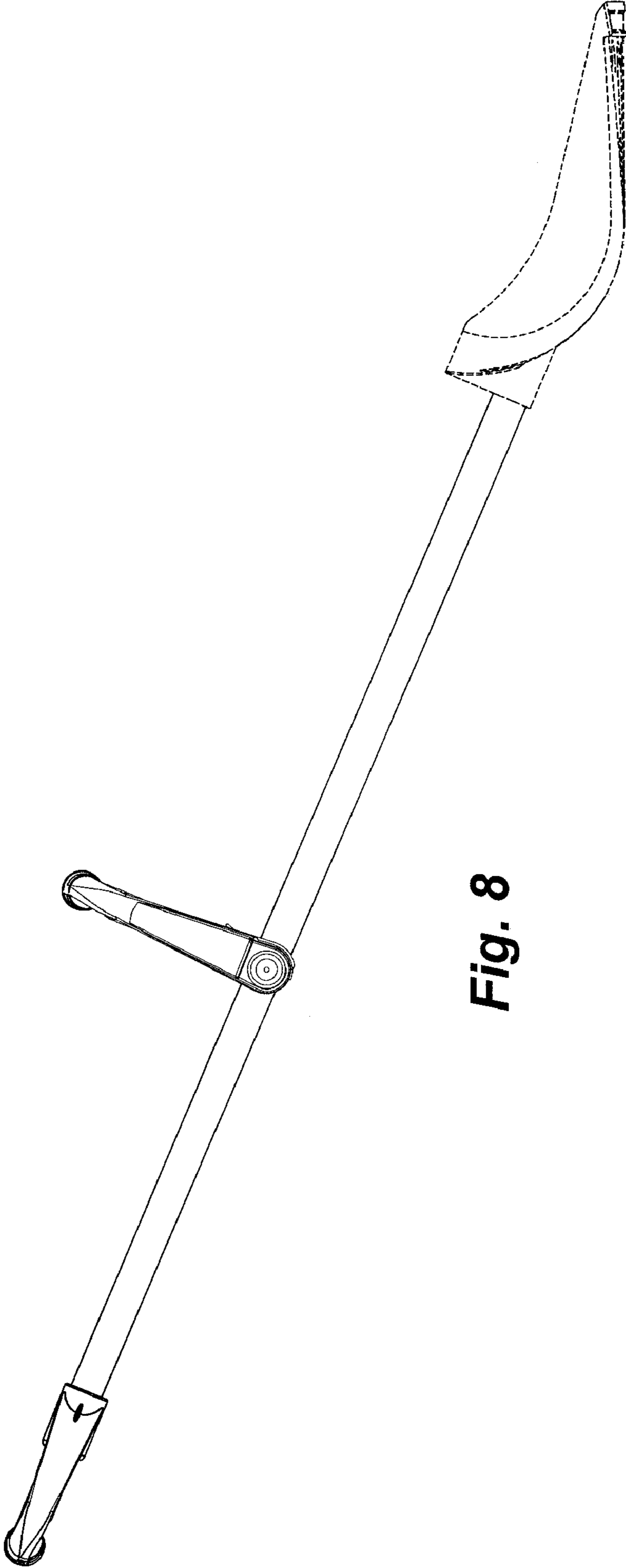


Fig. 8

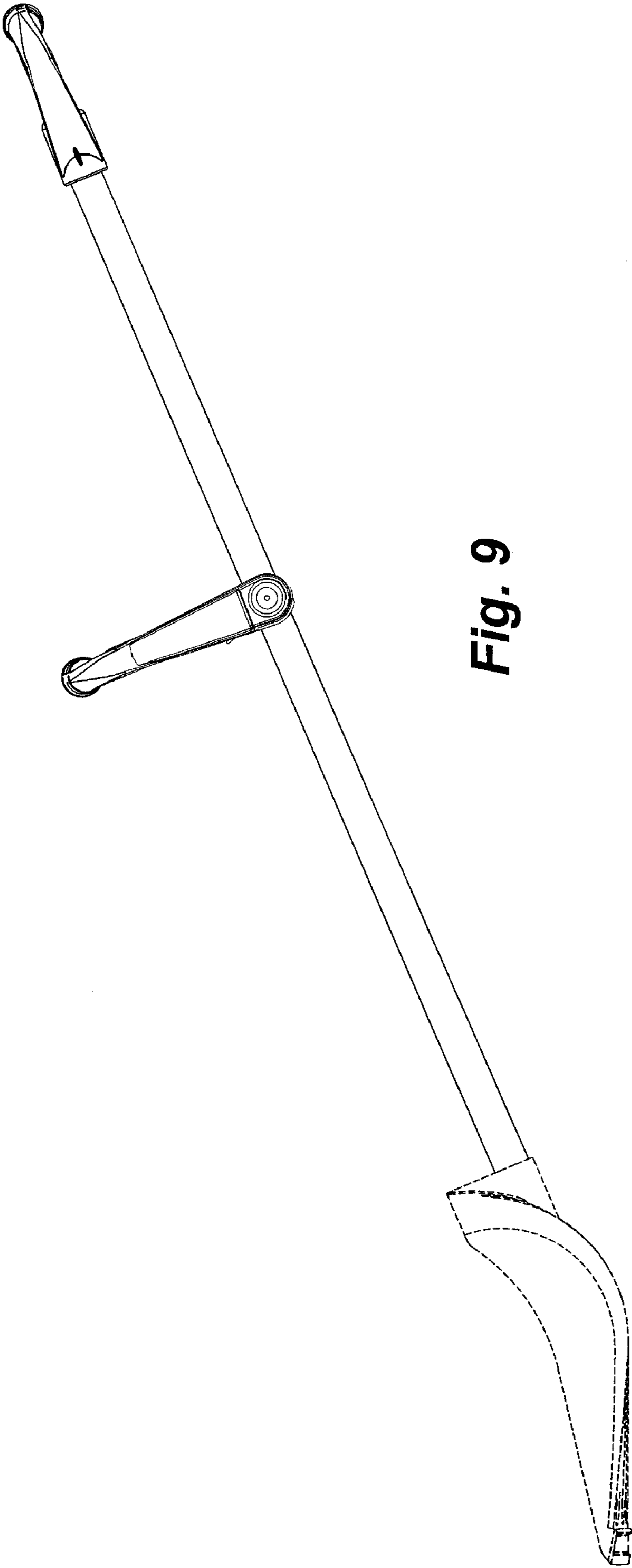
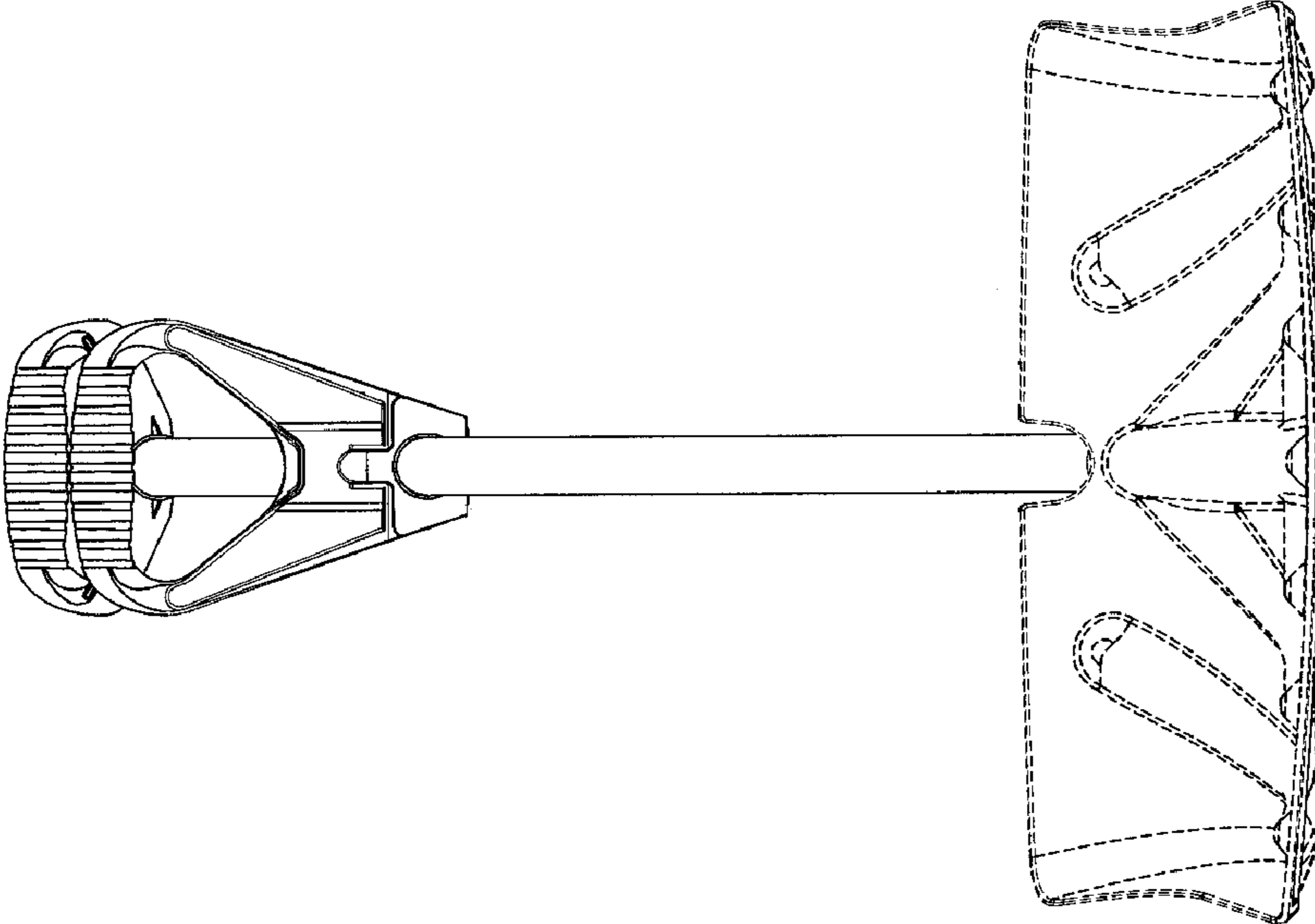


Fig. 9



**Fig. 10**