



US00D593820S

(12) **United States Design Patent**
Goodman et al.

(10) **Patent No.:** **US D593,820 S**
(45) **Date of Patent:** **** Jun. 9, 2009**

(54) **WINE BOTTLE HOLDER**

(74) *Attorney, Agent, or Firm*—Pearne & Gordon LLP

(75) Inventors: **Sheldon H. Goodman**, Solon, OH (US);
Omer I. Sazir, Cleveland, OH (US)

(57) **CLAIM**

The ornamental design for a wine bottle holder, as shown and described.

(73) Assignee: **Spectrum Diversified Designs, Inc.**,
Streetsboro, OH (US)

(**) Term: **14 Years**

DESCRIPTION

(21) Appl. No.: **29/306,707**

FIG. 1 is a perspective view of a 7-bottle wine bottle holder showing our new design;

(22) Filed: **Apr. 15, 2008**

FIG. 2 is a front elevational view thereof;

(51) **LOC (9) Cl.** **06-04**

FIG. 3 is a side elevational view thereof;

(52) **U.S. Cl.** **D7/704**

FIG. 4 is a top plan view thereof;

(58) **Field of Classification Search** D7/701,
D7/704, 707, 708; D6/449, 455, 477-479;
211/10, 13.1, 74, 85.31, 133.5, 181.1

FIG. 5 is a bottom plan view thereof;

See application file for complete search history.

FIG. 6 is a perspective view of a second embodiment of a 4-bottle wine bottle holder;

(56) **References Cited**

FIG. 7 is a front elevational view thereof;

U.S. PATENT DOCUMENTS

FIG. 8 is a side elevational view thereof;

D236,411 S * 8/1975 Horney D7/708

FIG. 9 is a top plan view thereof;

D252,550 S * 8/1979 Johnson D7/708

FIG. 10 is a bottom plan view thereof;

D260,463 S * 9/1981 Imus D6/514

FIG. 11 is a perspective view of a third embodiment of a wine bottle holder; and,

D378,888 S * 4/1997 Bertilsson D7/704

FIG. 12 is a front elevational view thereof.

D409,056 S * 5/1999 Olson et al. D7/704

The dotted lines in FIGS. 11 and 12 form no part of the claimed design and the subject matter shown in dotted lines discloses indeterminate length and that the wine bottle holder may be shorter or longer, with more or less uniformly spaced identically shaped holders.

D458,813 S * 6/2002 Goodman et al. D7/704

D472,432 S * 4/2003 Goodman et al. D7/704

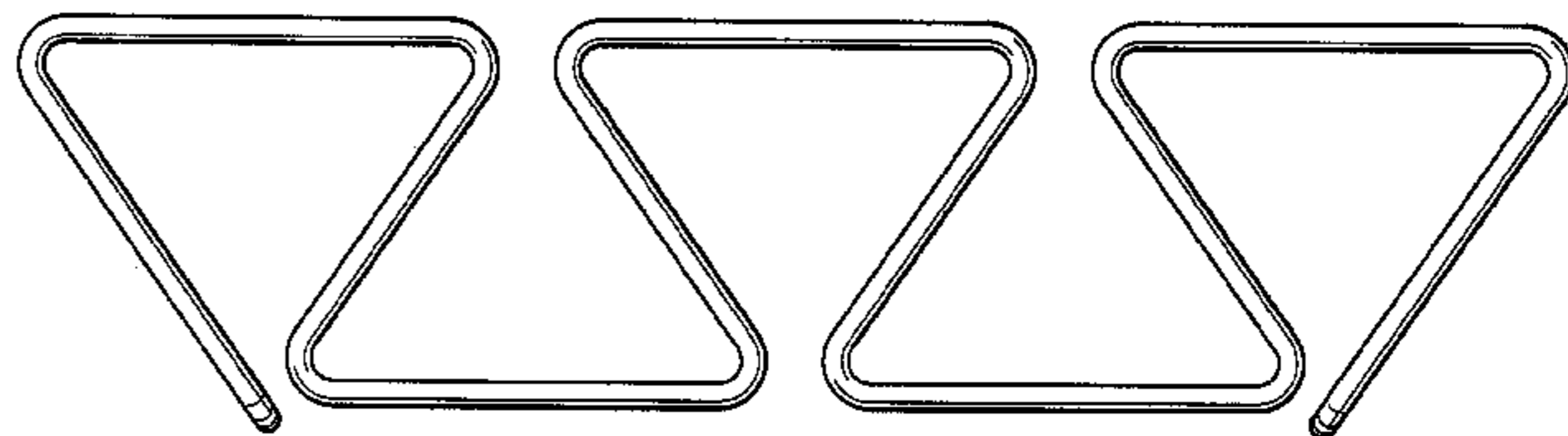
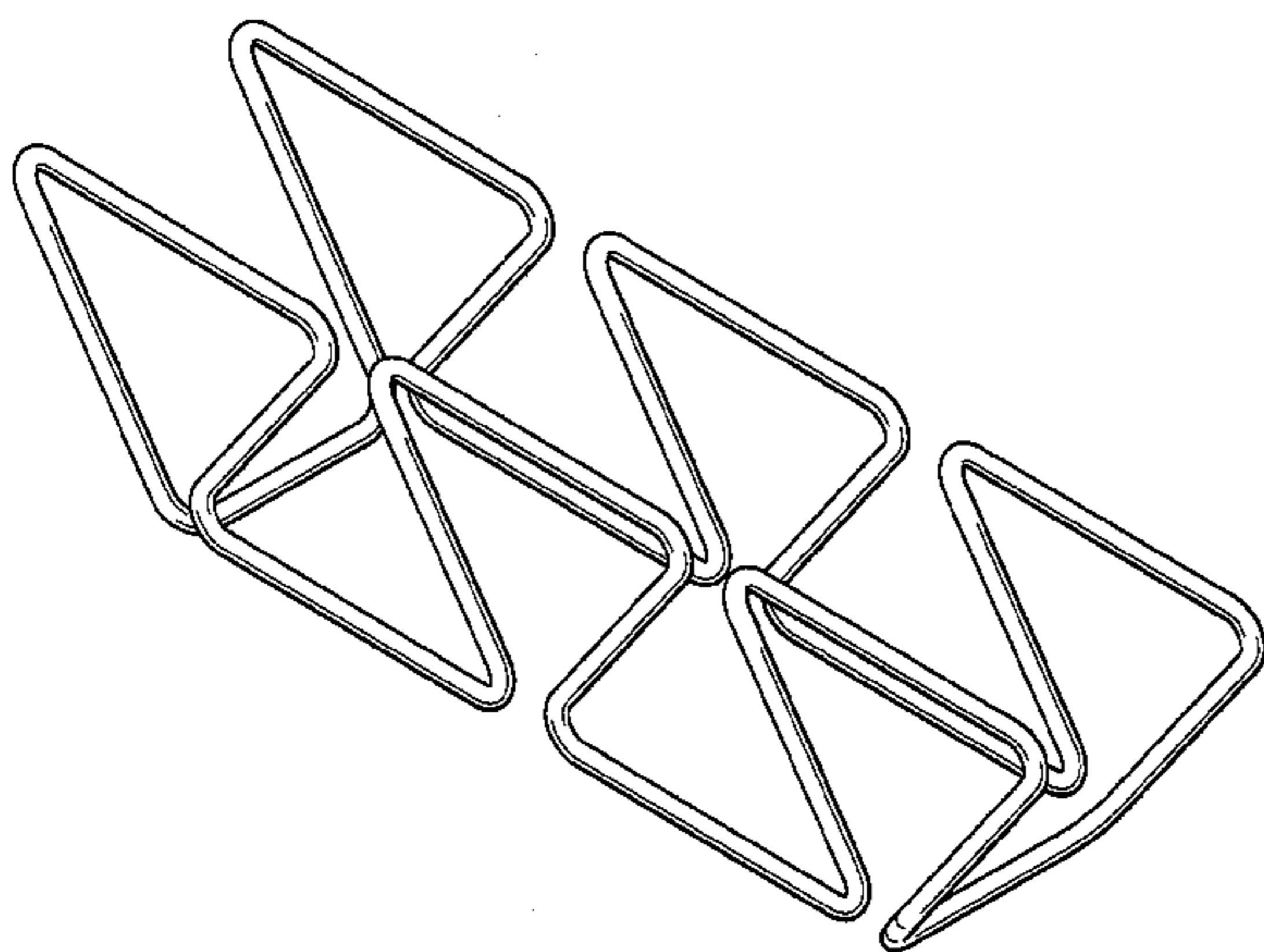
2003/0205543 A1 * 11/2003 Kao 211/74

2006/0255219 A1 * 11/2006 Wang 248/309.1

* cited by examiner

Primary Examiner—Terry A Wallace

1 Claim, 4 Drawing Sheets



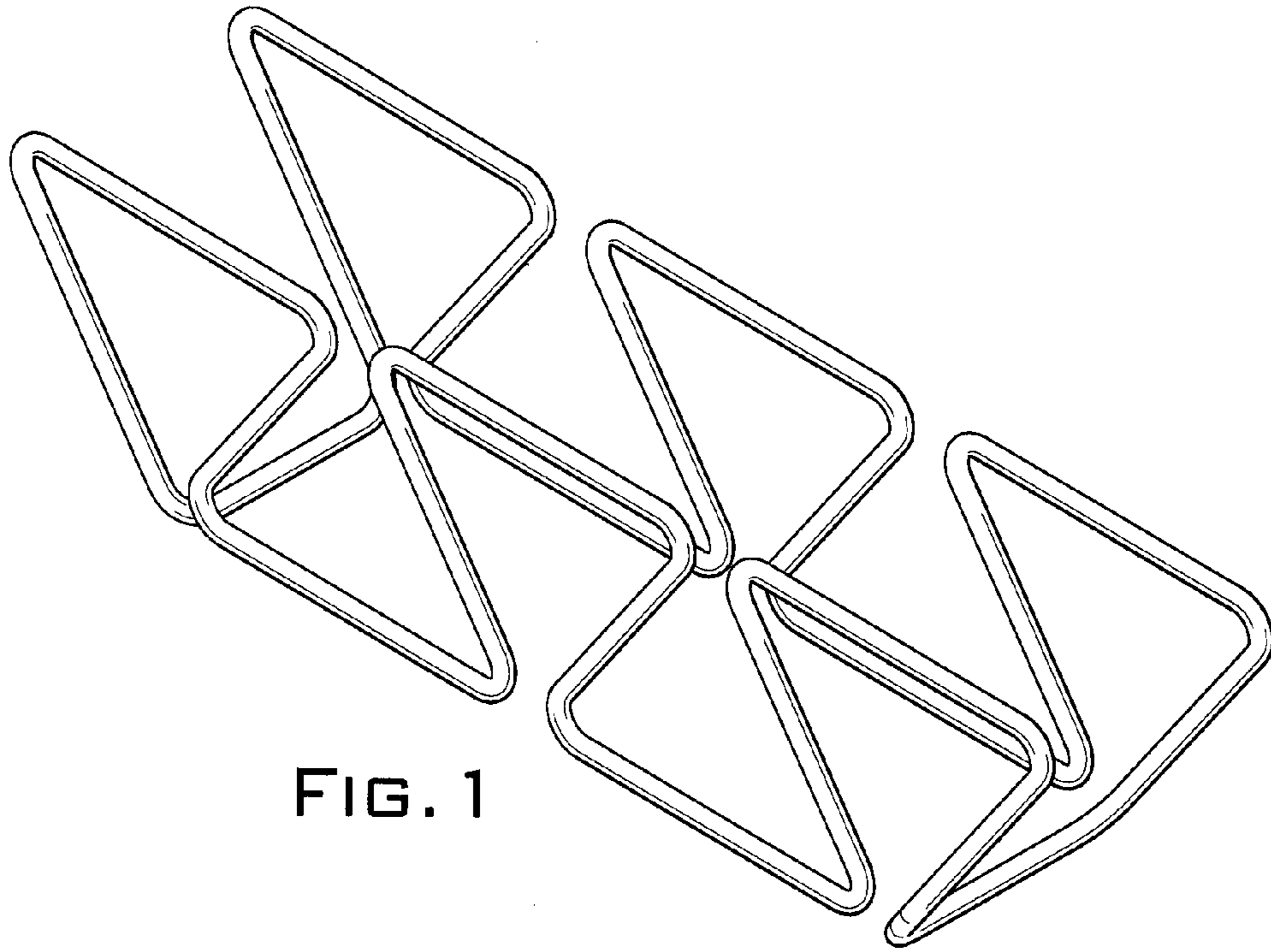


FIG. 1

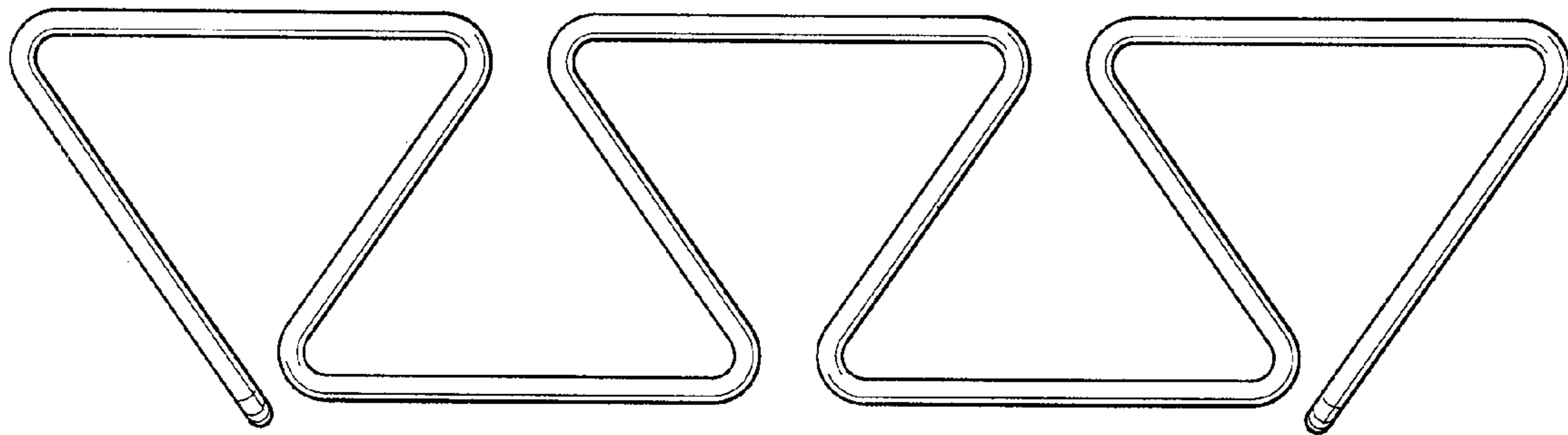


FIG. 2

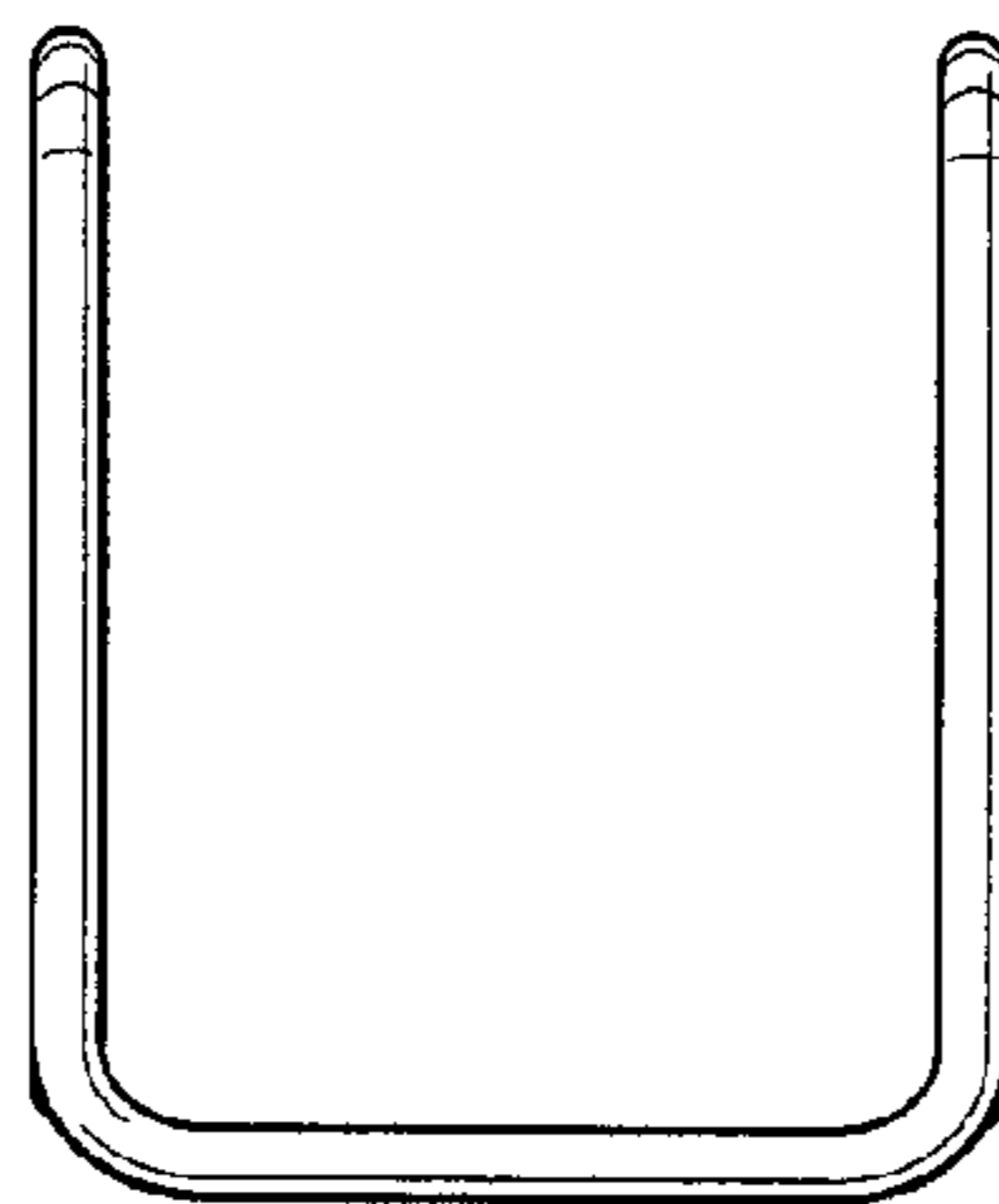


FIG. 3

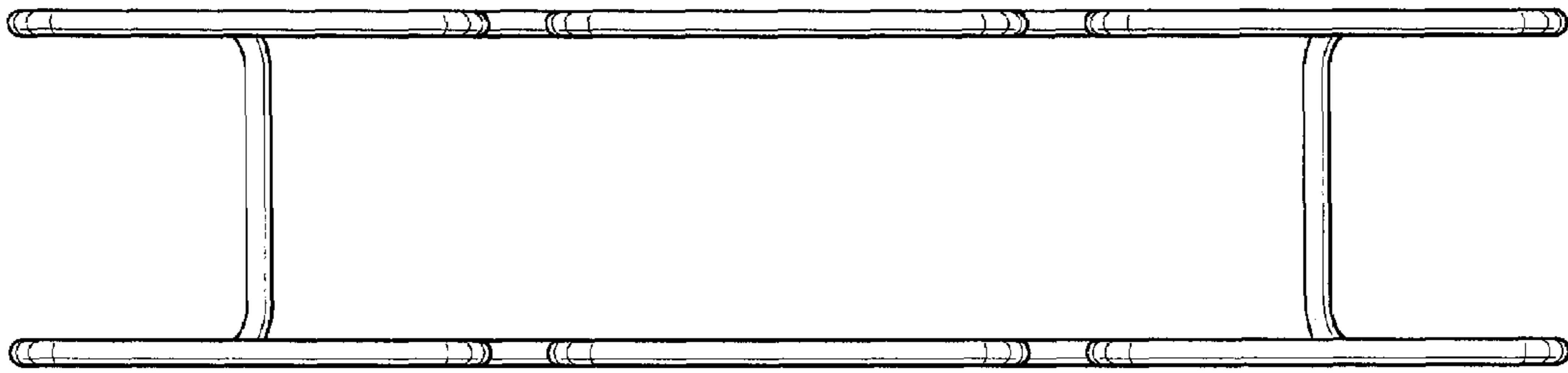


FIG. 4

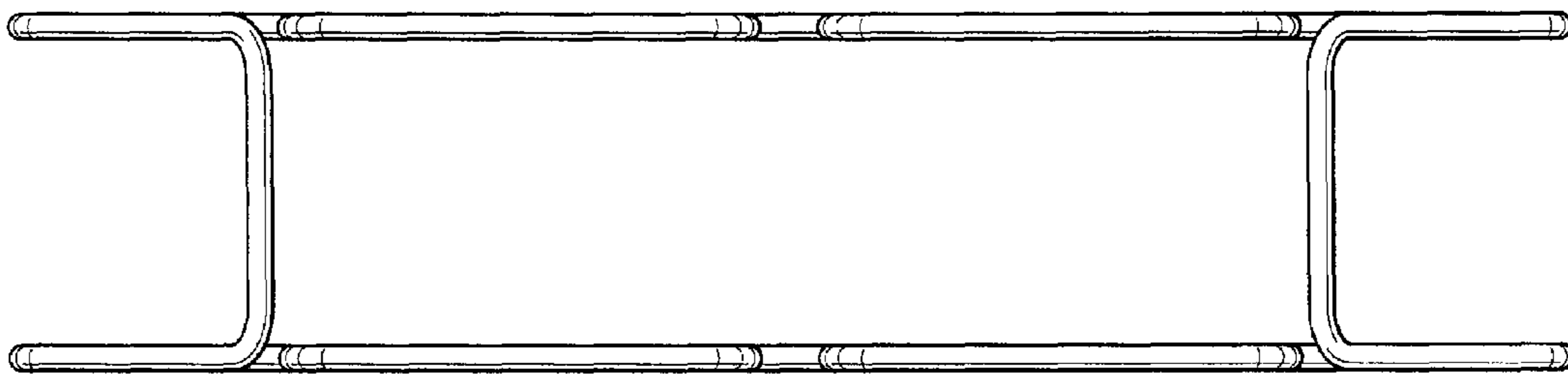


FIG. 5

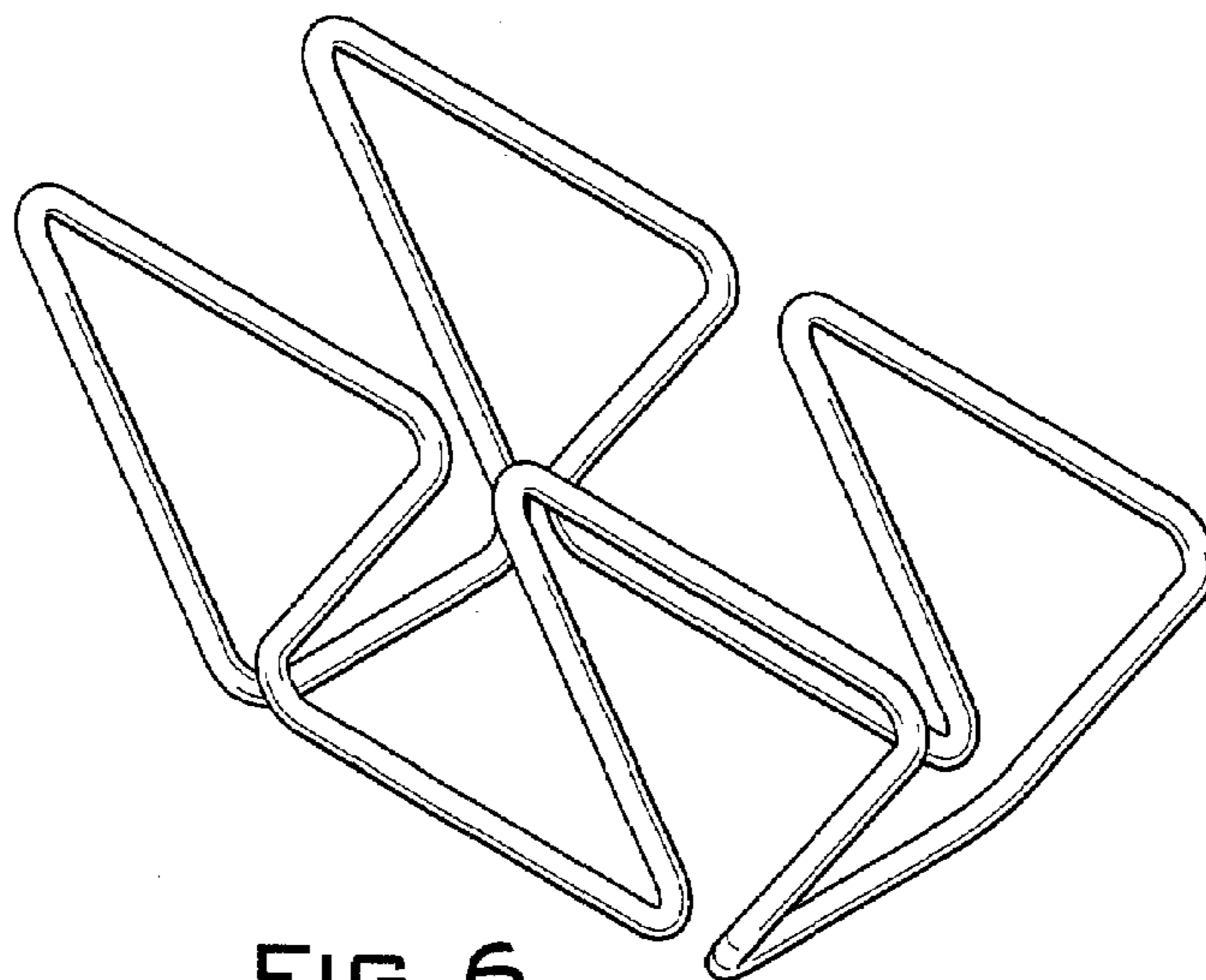


FIG. 6

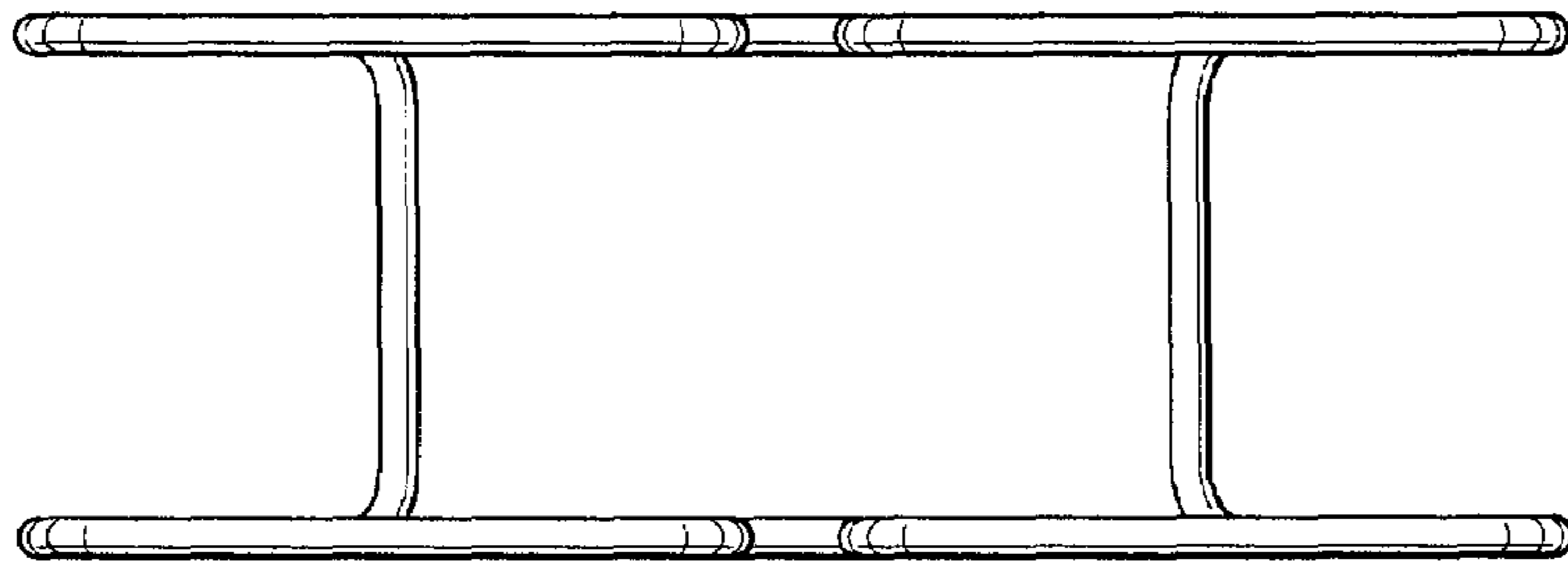


FIG. 9

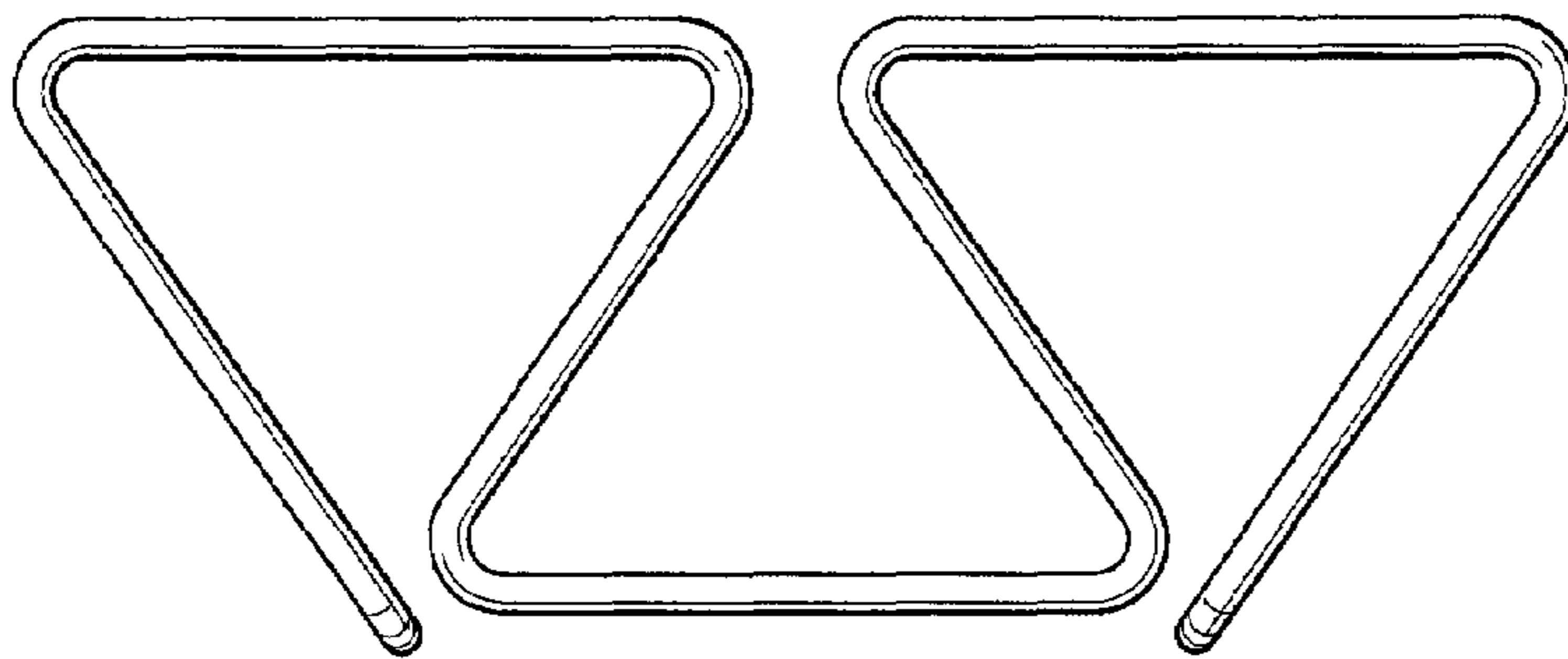


FIG. 7

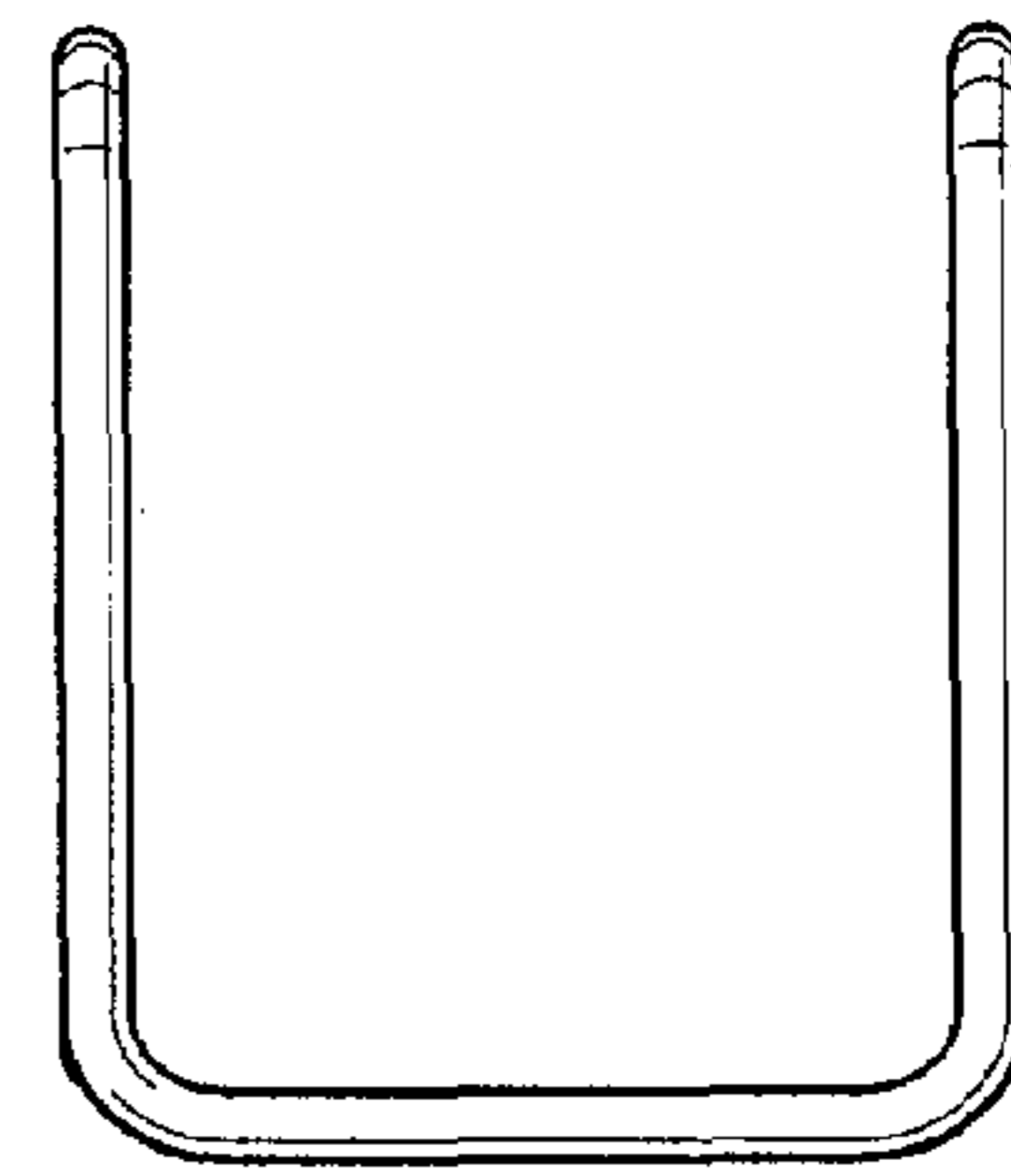


FIG. 8

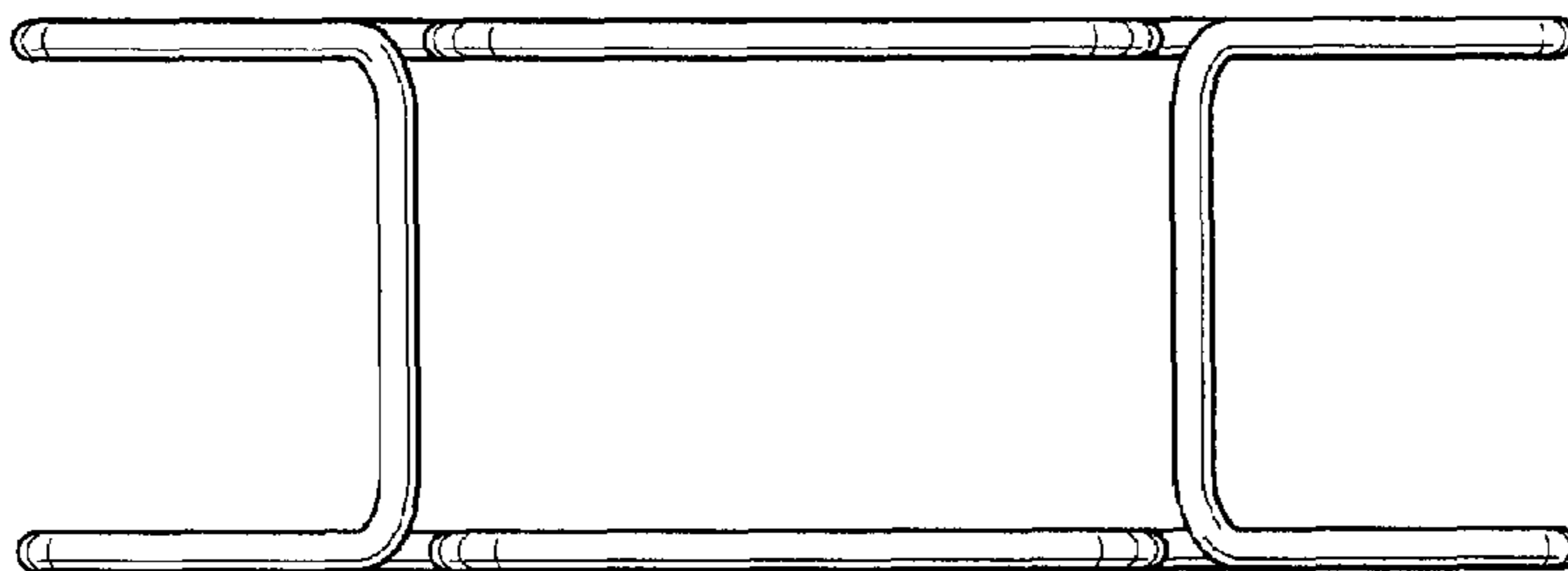


FIG. 10

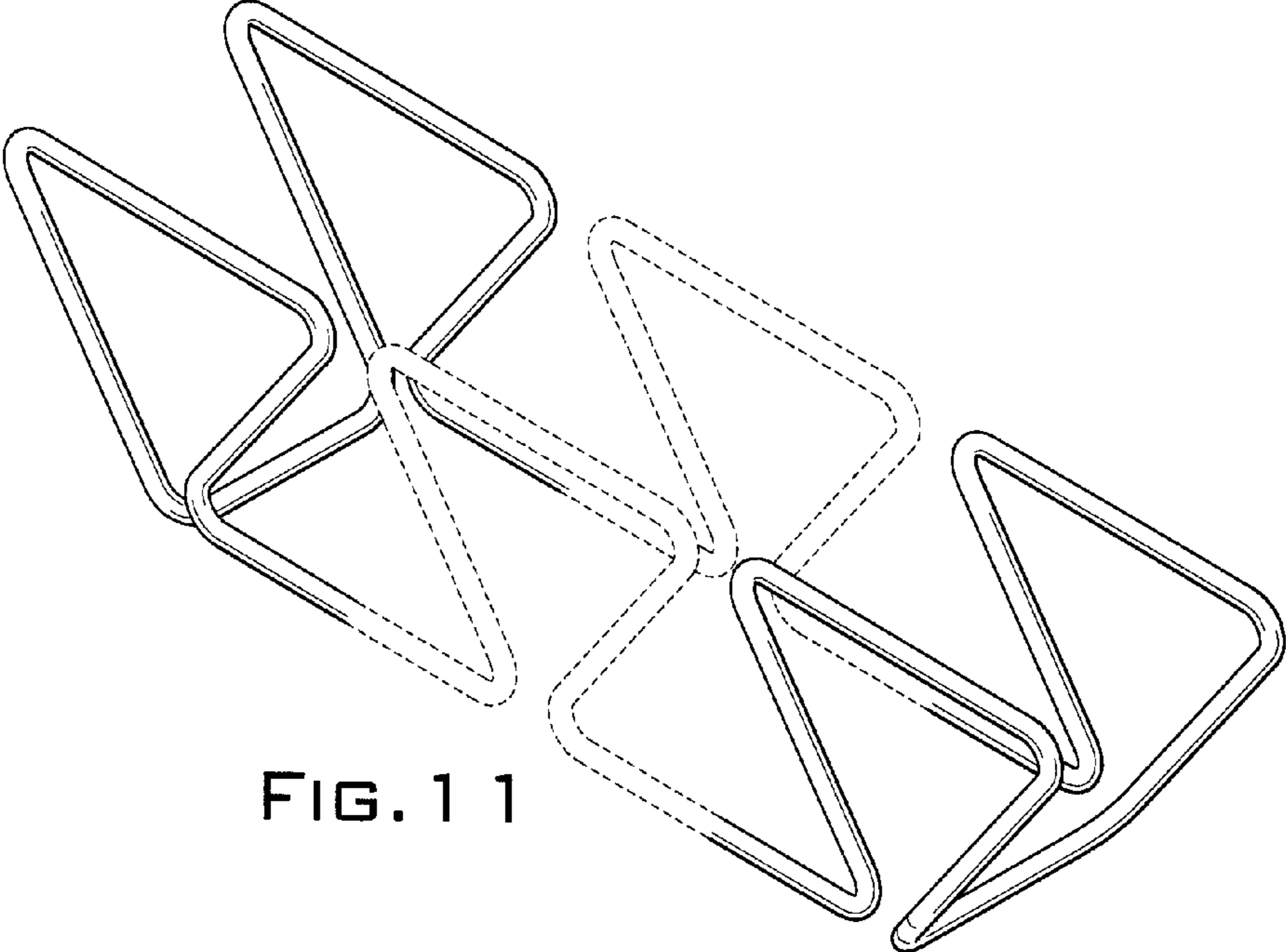


FIG. 1 1

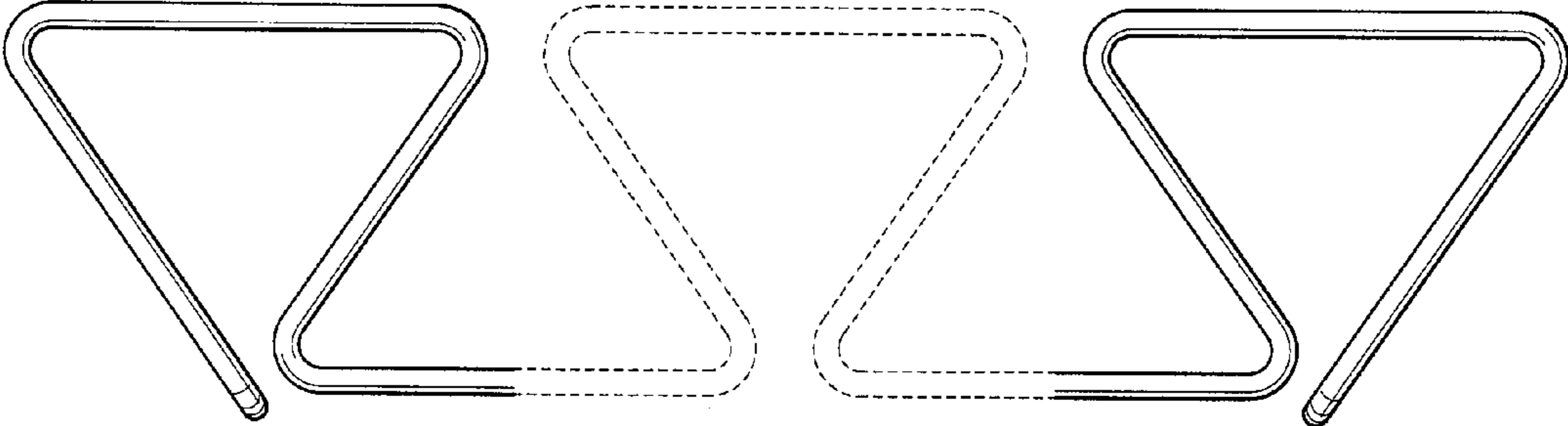


FIG. 1 2