

US00D593814S

(12) **United States Design Patent**
Yu

(10) **Patent No.:** **US D593,814 S**
(45) **Date of Patent:** **** Jun. 9, 2009**

(54) **VACUUM CONTAINER**

(76) Inventor: **Chong-Fa Yu**, No. 6, Alley 12, Lane
187, Sec. 3, County Boulevard, Panchiao
City, Taipei Hsien (TW)

(**) Term: **14 Years**

(21) Appl. No.: **29/325,019**

(22) Filed: **Sep. 25, 2008**

(51) **LOC (9) Cl.** **07-07**

(52) **U.S. Cl.** **D7/629**

(58) **Field of Classification Search** D7/601,
D7/602, 629, 538-542, 354, 368; D9/424-432;
141/65, 96, 198; 220/360, 366, 574-575,
220/780-806, 912, 913; 229/406, 407, 902-906;
99/535, 468, 472, 646 C

See application file for complete search history.

(56) **References Cited**

U.S. PATENT DOCUMENTS

4,147,277	A *	4/1979	Bateman et al.	220/574.2
5,031,785	A *	7/1991	Lemme	215/228
5,765,608	A *	6/1998	Kristen	141/198
6,520,071	B1 *	2/2003	Lanza	99/472
D502,394	S *	3/2005	Jackson et al.	D9/425
D526,857	S *	8/2006	Littmann	D7/629

D527,227	S *	8/2006	Bertulis	D7/629
D549,054	S *	8/2007	Changpan	D7/629
D550,516	S *	9/2007	Tsai	D7/629
2003/0085234	A1 *	5/2003	Paumen et al.	220/912
2004/0177771	A1 *	9/2004	Small et al.	99/472
2004/0256021	A1 *	12/2004	Chen	141/65
2006/0231556	A1 *	10/2006	Wei	141/65

* cited by examiner

Primary Examiner—Terry A Wallace

(57) **CLAIM**

The ornamental design for vacuum container, as shown and described.

DESCRIPTION

FIG. 1 is a perspective view of vacuum container showing my new design;

FIG. 2 is a front elevational view thereof;

FIG. 3 is a rear elevational view thereof;

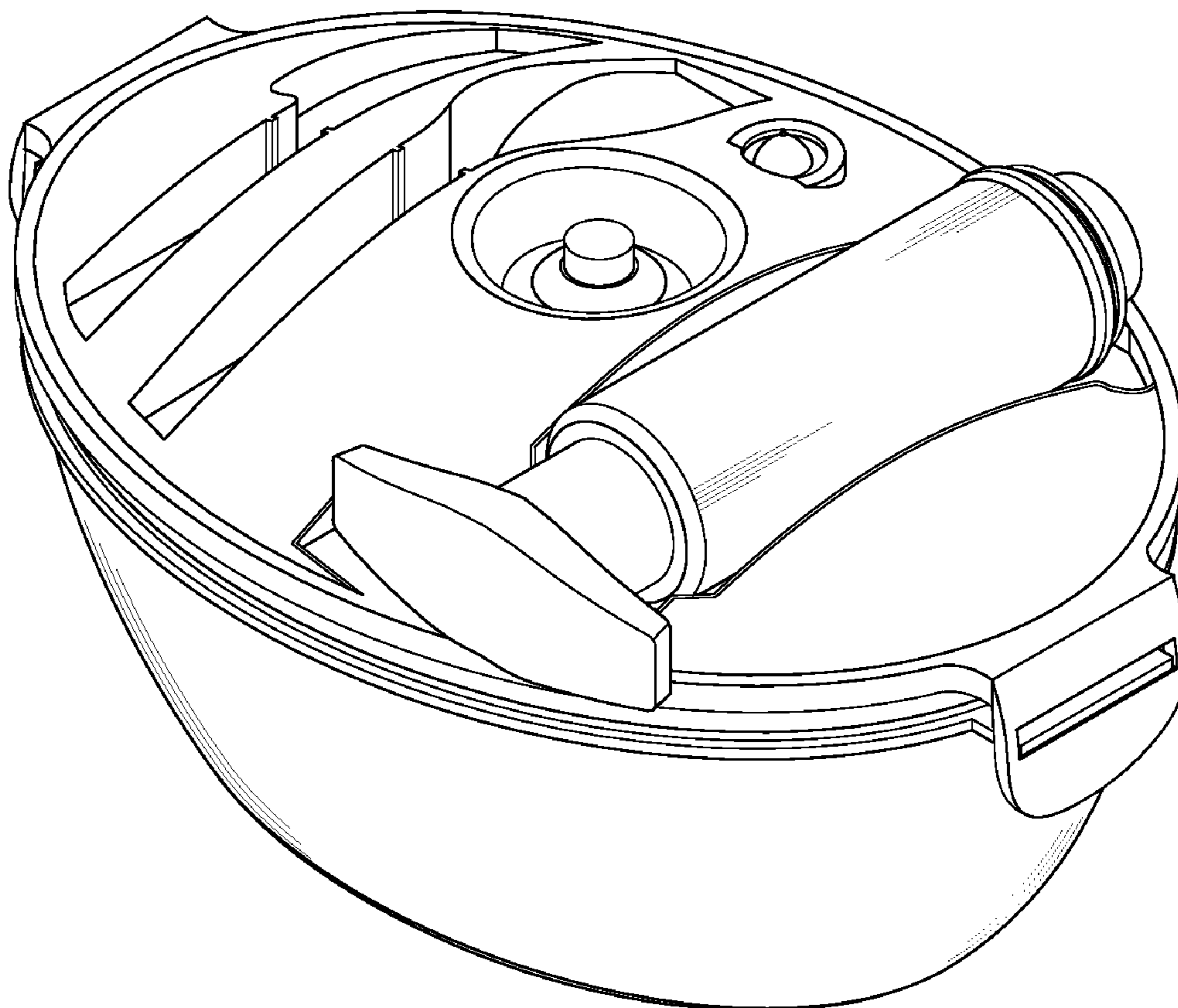
FIG. 4 is a left elevational view thereof;

FIG. 5 is a right elevational view thereof;

FIG. 6 is a top view thereof; and,

FIG. 7 is a bottom view.

1 Claim, 7 Drawing Sheets



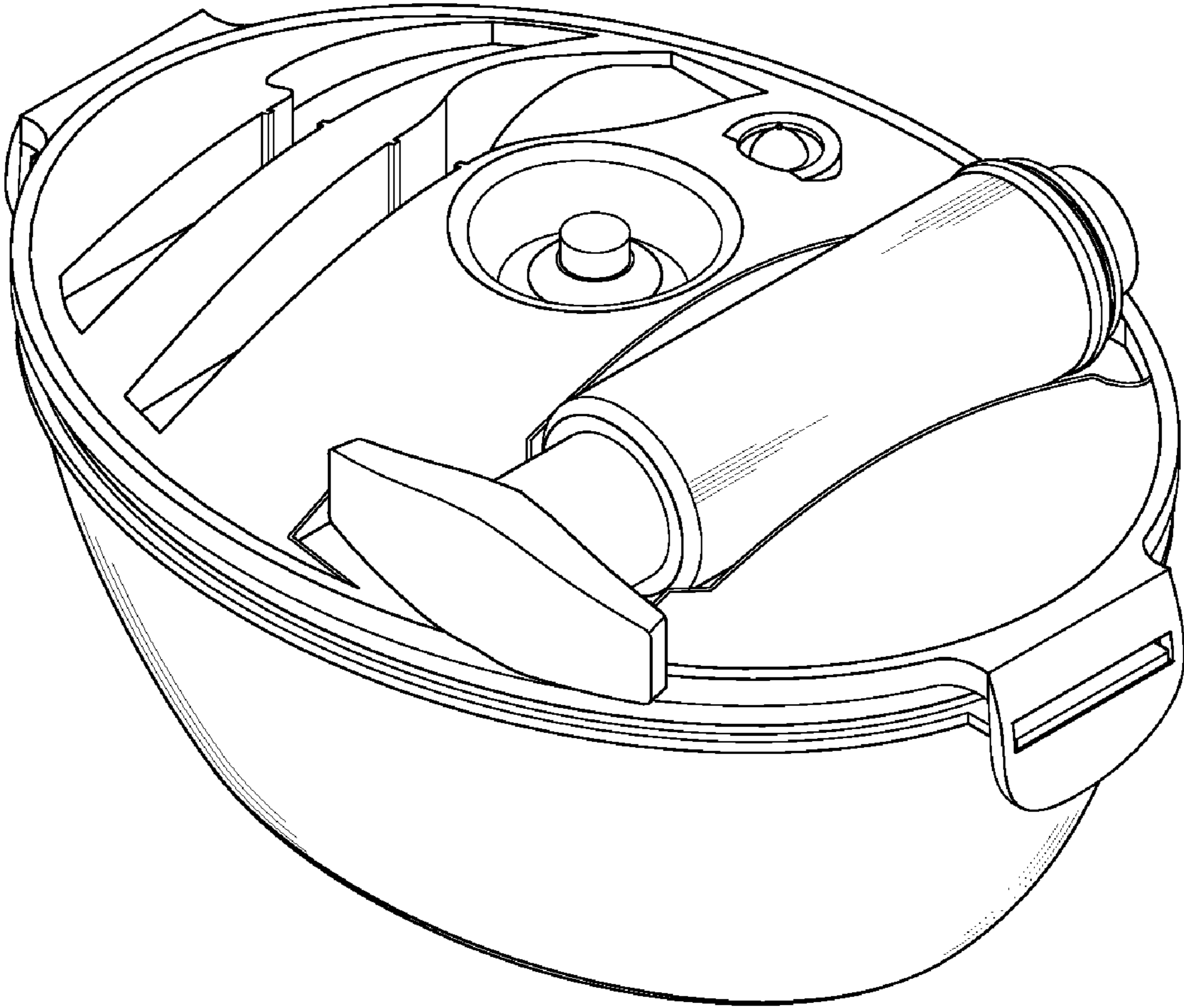


FIG. 1

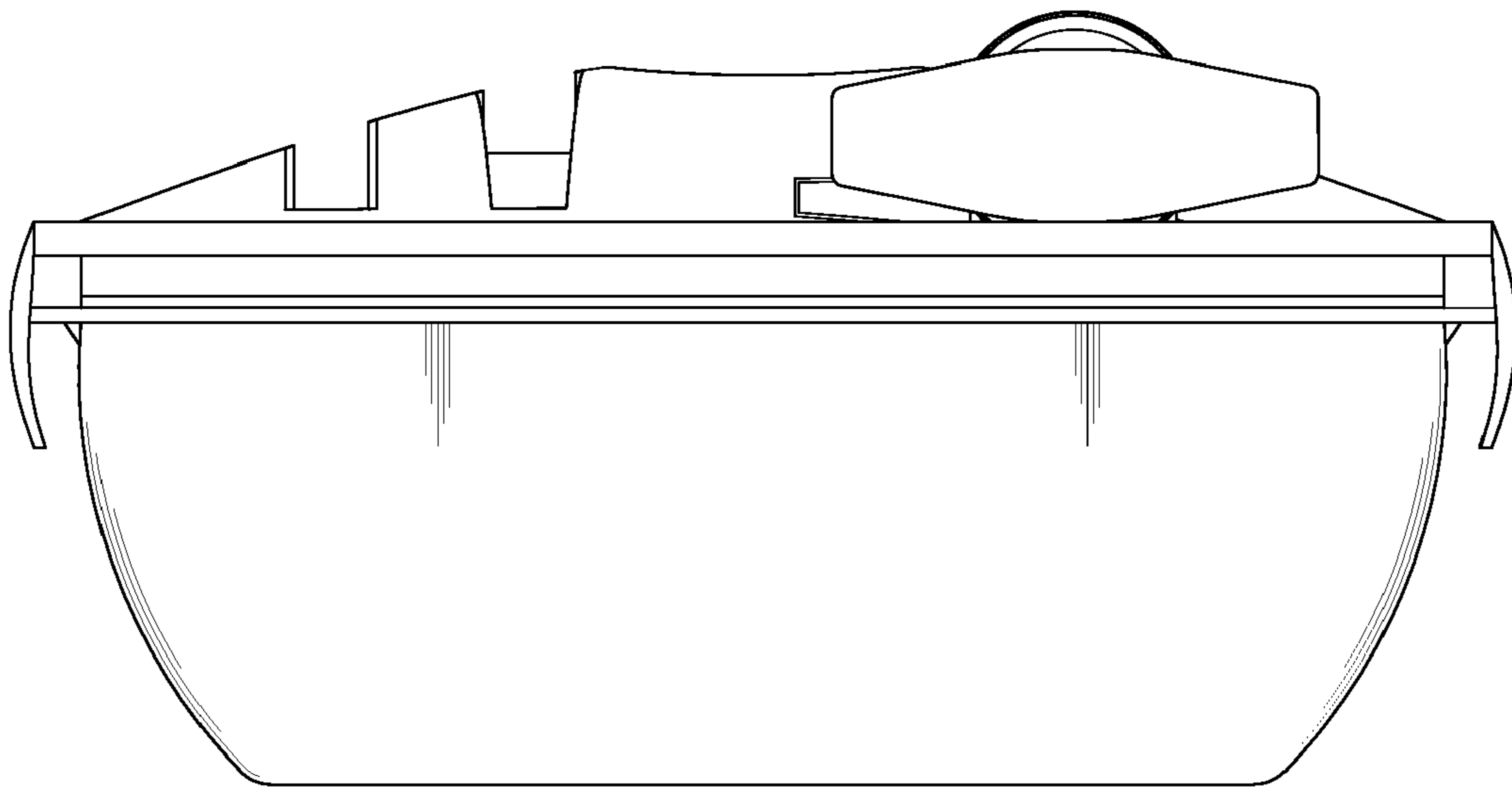


FIG. 2

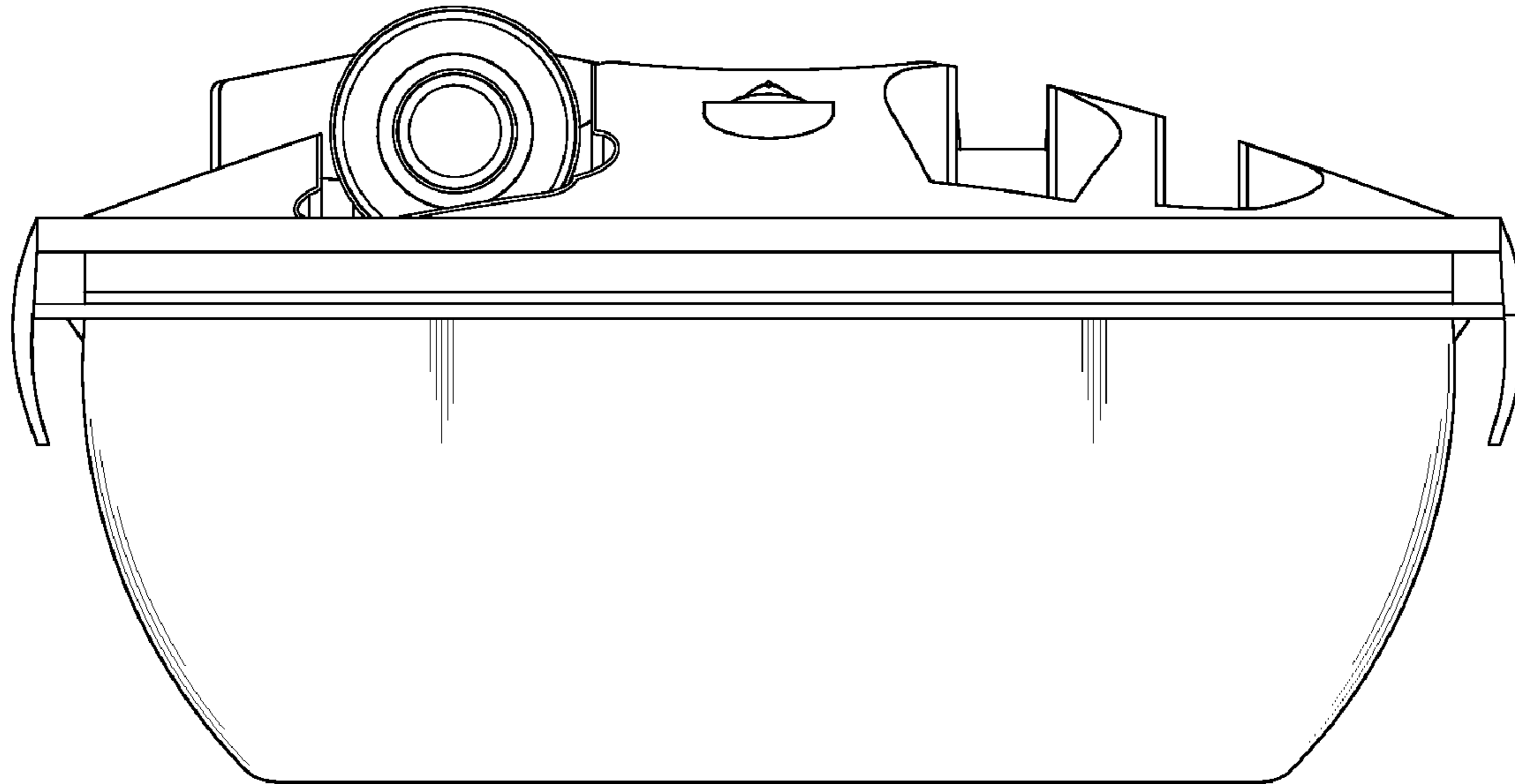


FIG. 3

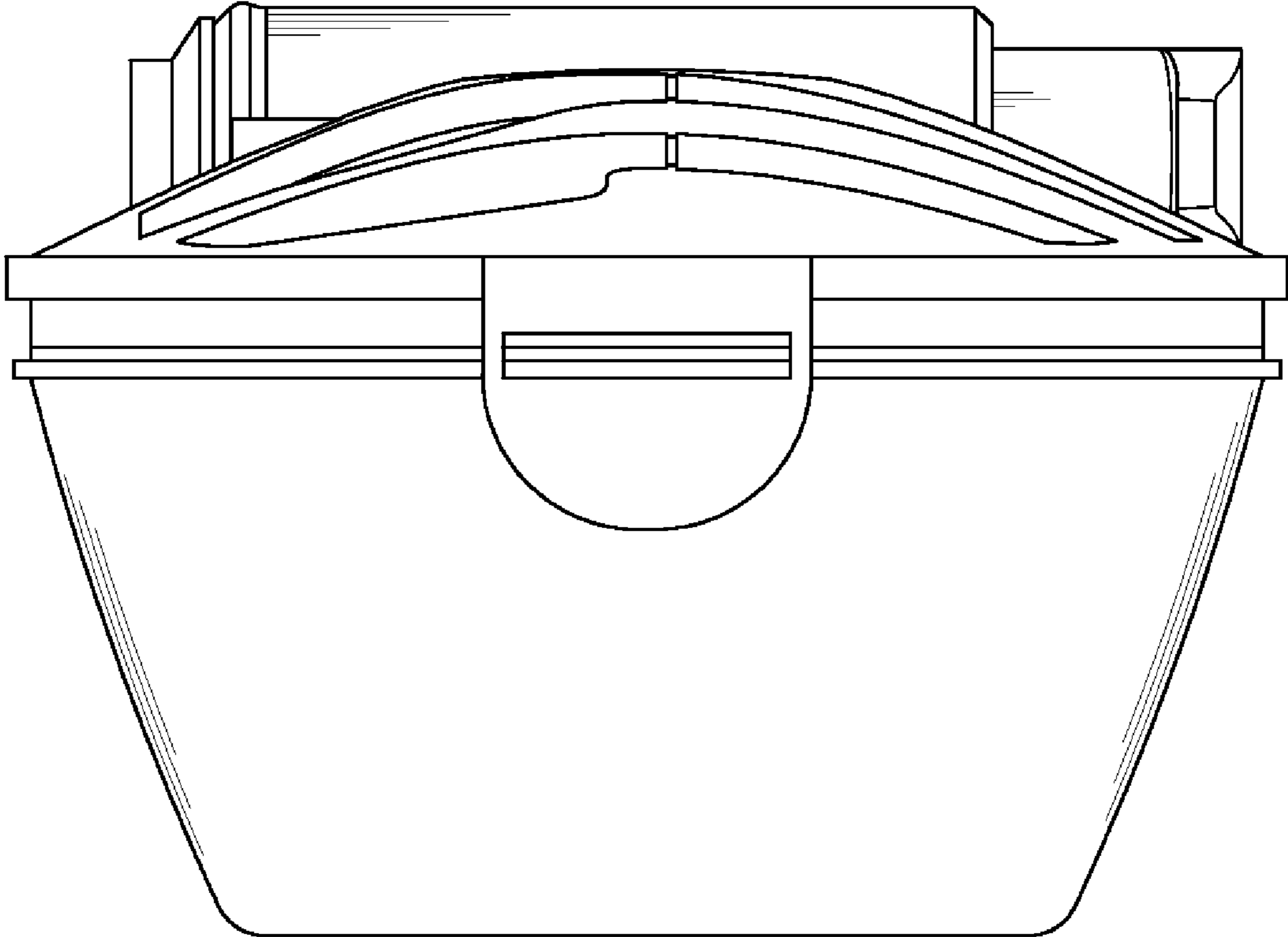


FIG. 4

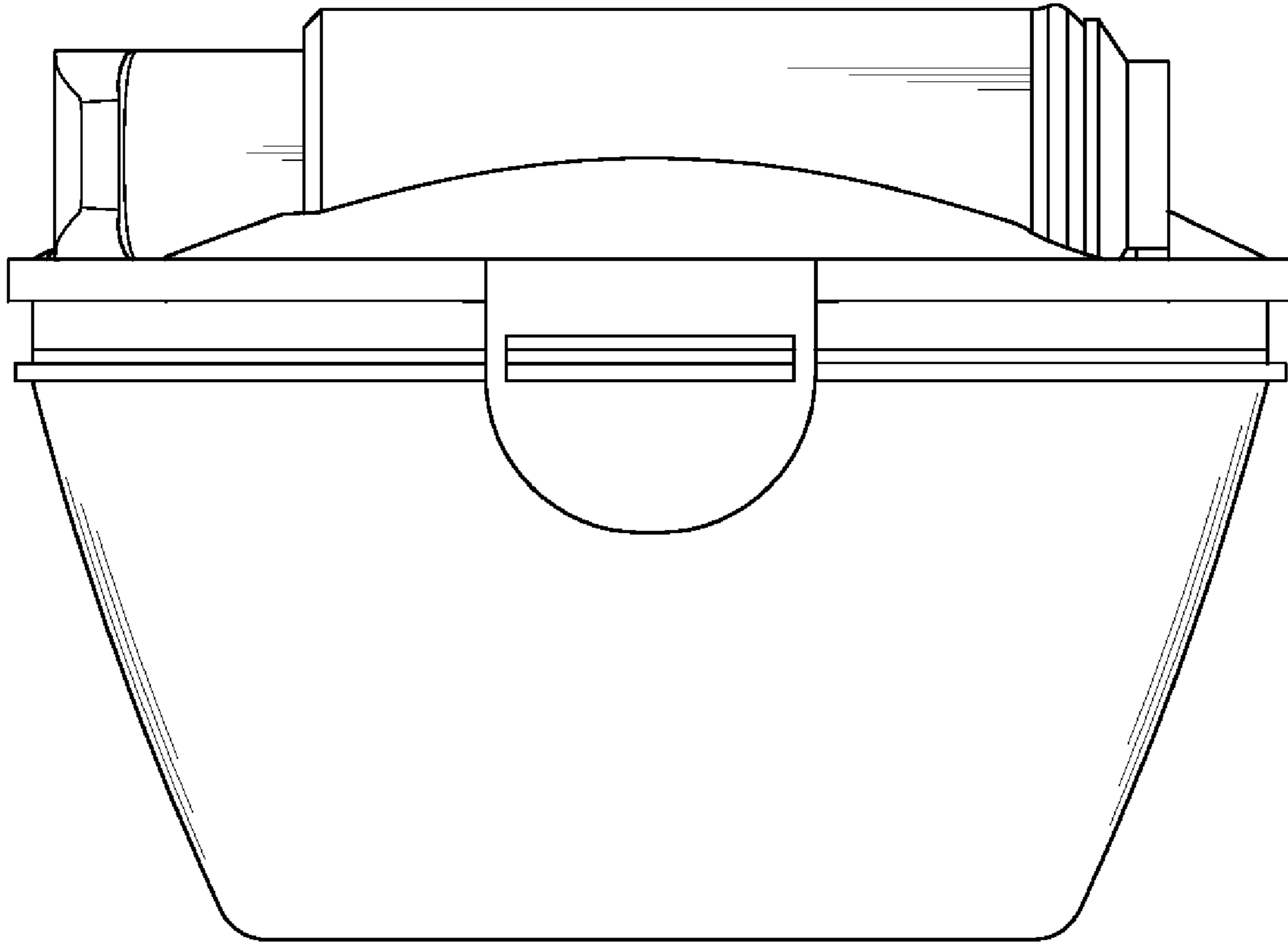


FIG. 5

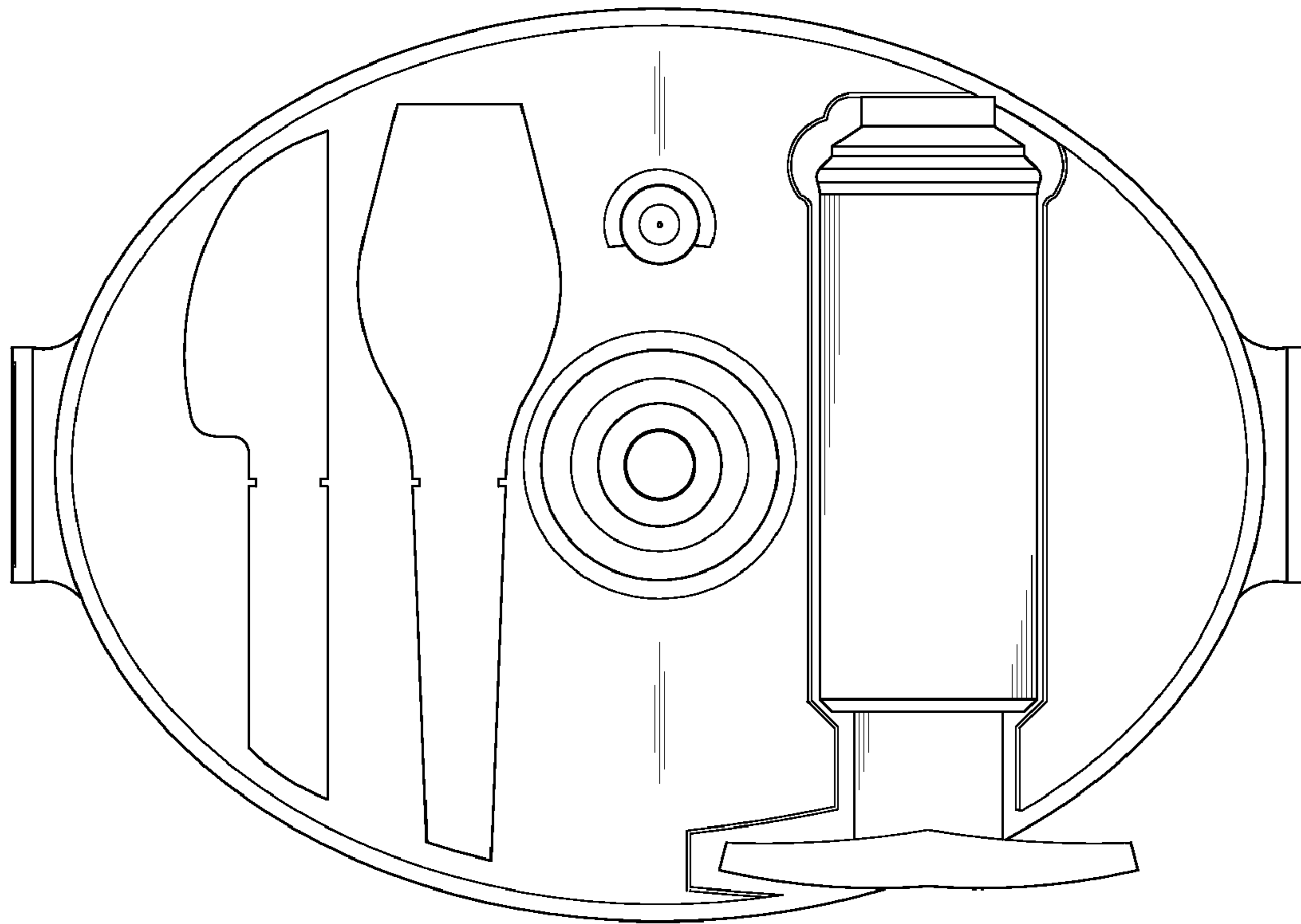


FIG. 6

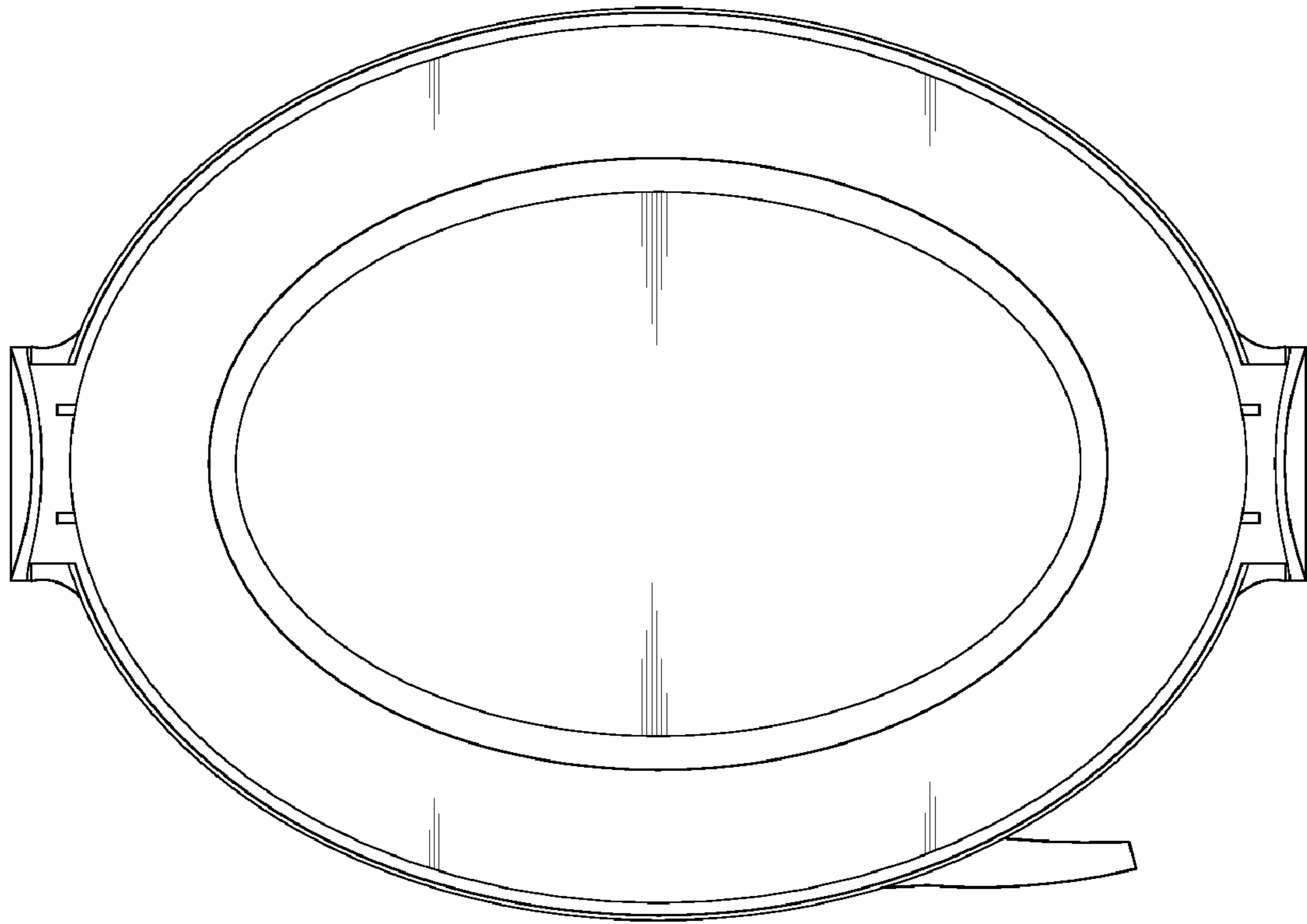


FIG. 7