



US00D593810S

(12) **United States Design Patent**  
**Goodman et al.**

(10) **Patent No.:** **US D593,810 S**  
(45) **Date of Patent:** **\*\* Jun. 9, 2009**

(54) **SPICE RACK**

(75) Inventors: **Sheldon H. Goodman**, Solon, OH (US);  
**Omer I. Sazir**, Cleveland, IL (US)

(73) Assignee: **Spectrum Diversified Designs, Inc.**,  
Streetsboro, OH (US)

(\*\*) Term: **14 Years**

(21) Appl. No.: **29/321,113**

(22) Filed: **Jul. 11, 2008**

(51) **LOC (9) Cl.** ..... **06-04**

(52) **U.S. Cl.** ..... **D7/600.4; D7/704**

(58) **Field of Classification Search** .... D7/600.1–600.4,  
D7/701, 704, 707, 708; 211/13.1, 74, 181.1,  
211/128.1, 133.5, 85.31; D6/458, 462  
See application file for complete search history.

(56) **References Cited**

U.S. PATENT DOCUMENTS

4,378,889	A *	4/1983	Lebowitz	.....	211/75
4,694,966	A *	9/1987	Sorenson et al.	.....	211/181.1
4,832,208	A *	5/1989	Finnegan	.....	211/74
D325,849	S *	5/1992	Melcher	.....	D7/600.4
D426,117	S *	6/2000	Howitt	.....	D7/600.4
6,129,219	A *	10/2000	Peickert	.....	211/74

D437,165	S *	2/2001	Goodman et al.	.....	D7/600.4
6,907,998	B2 *	6/2005	Deiss	.....	211/181.1
2004/0222178	A1 *	11/2004	Sparkowski	.....	211/181.1

\* cited by examiner

*Primary Examiner*—Terry A Wallace  
(74) *Attorney, Agent, or Firm*—Pearne & Gordon LLP

(57) **CLAIM**

The ornamental design for a spice rack, as shown and described.

**DESCRIPTION**

FIG. 1 is a perspective view of a spice rack, showing our new design;

FIG. 2 is a top plan view thereof;

FIG. 3 is a front elevational view thereof;

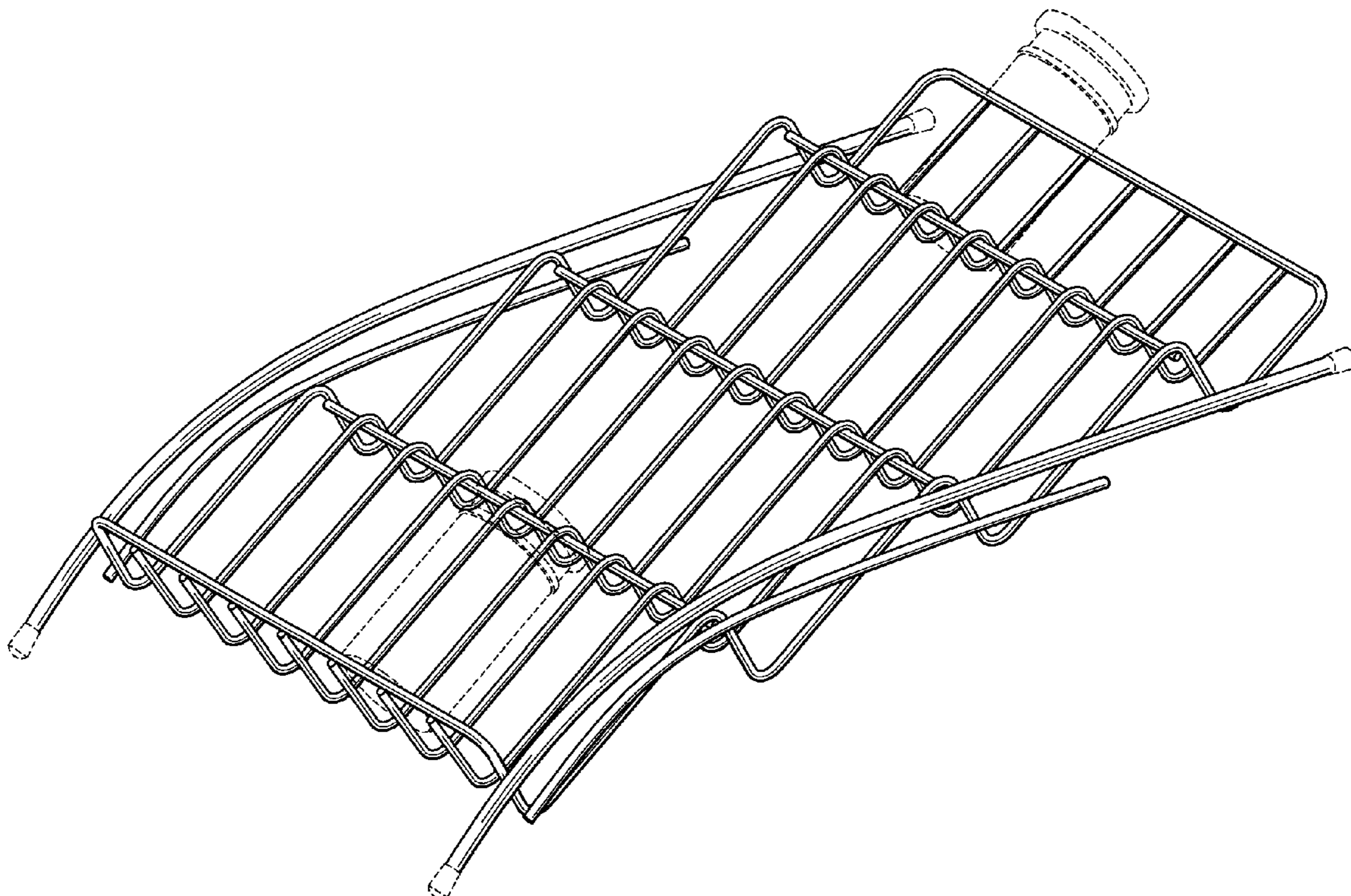
FIG. 4 is a side elevational view thereof;

FIG. 5 is a rear elevational view thereof; and,

FIG. 6 is a bottom plan view thereof.

The dotted line disclosure of elements in the views is for illustrative purposes only and forms no part of the claimed design.

**1 Claim, 3 Drawing Sheets**



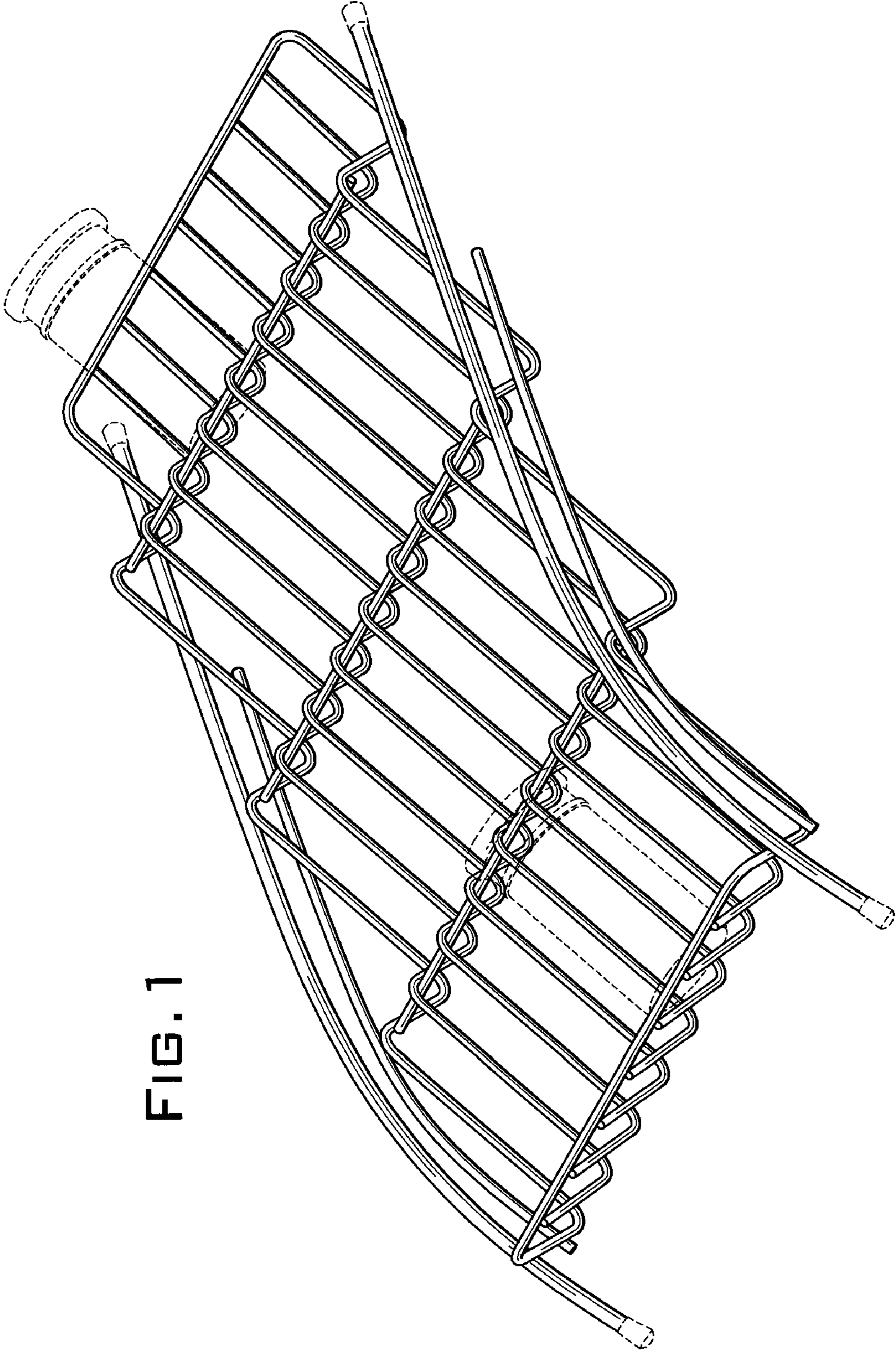


FIG. 1

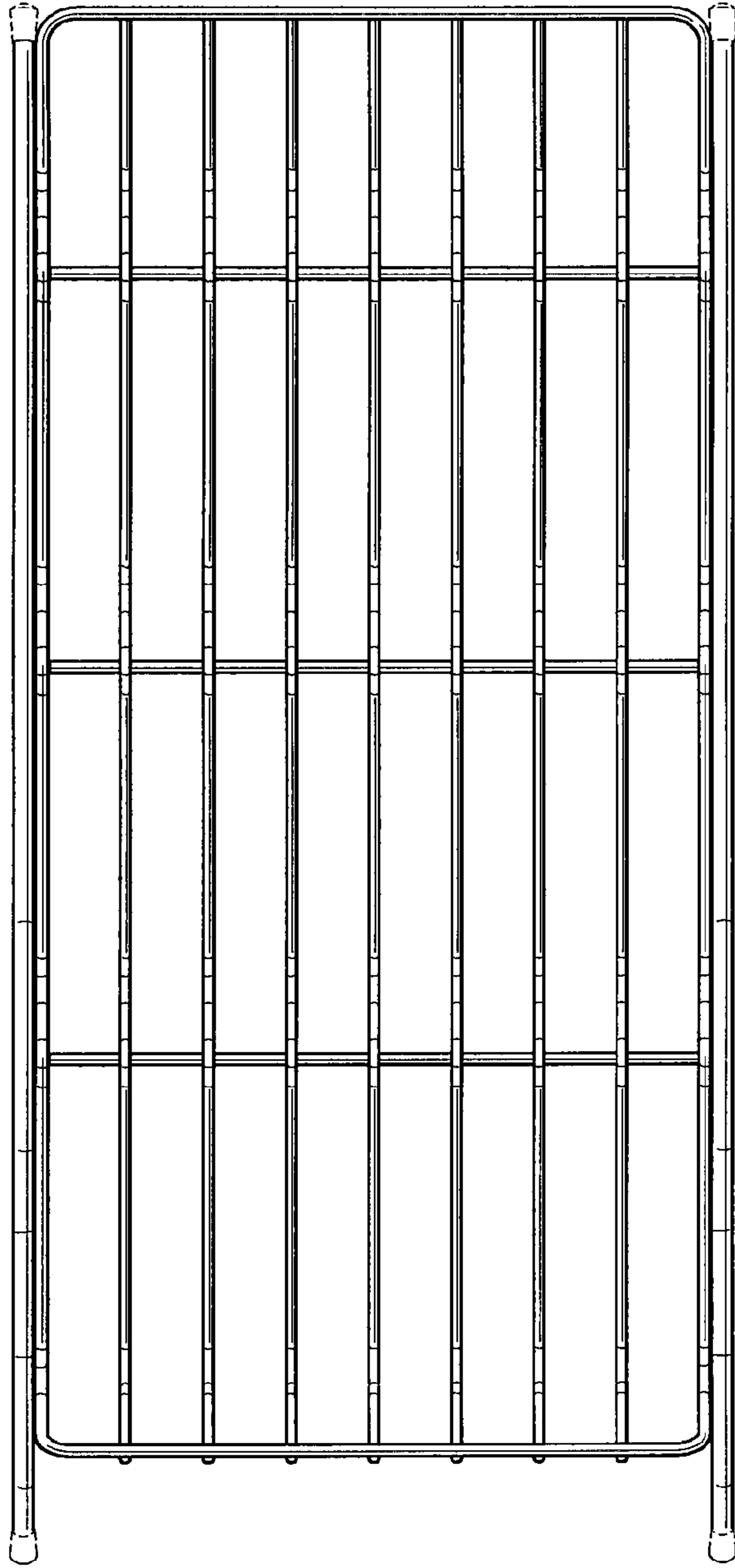


FIG. 2

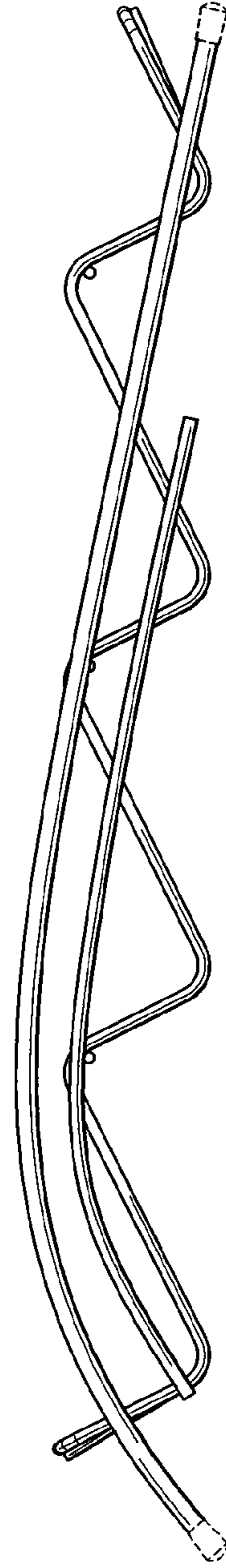


FIG. 4

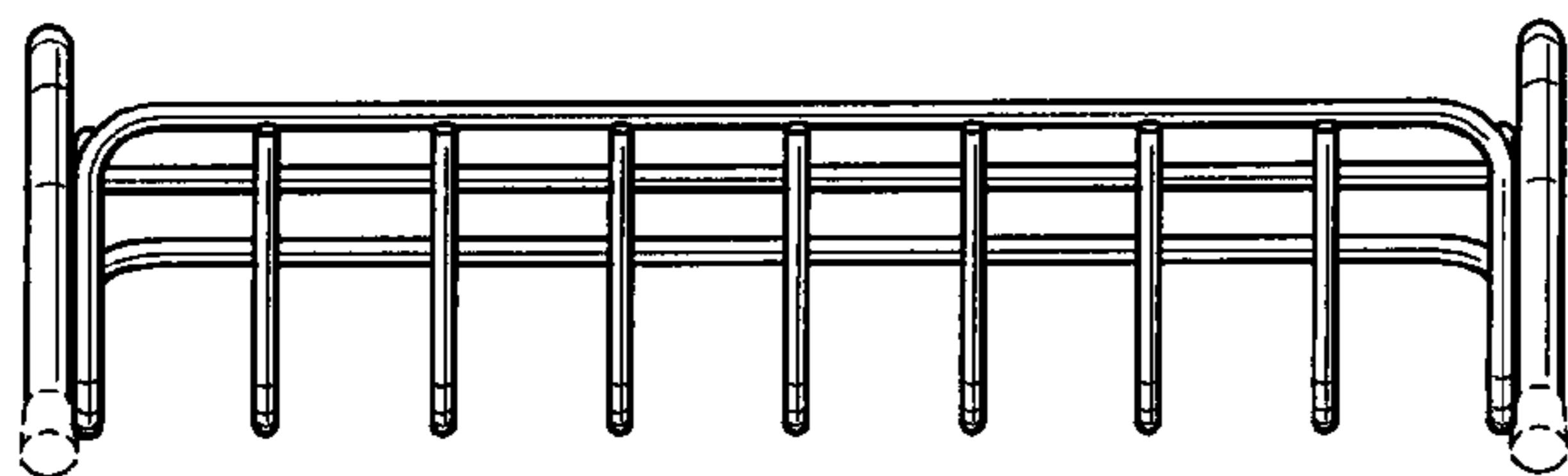


FIG. 3

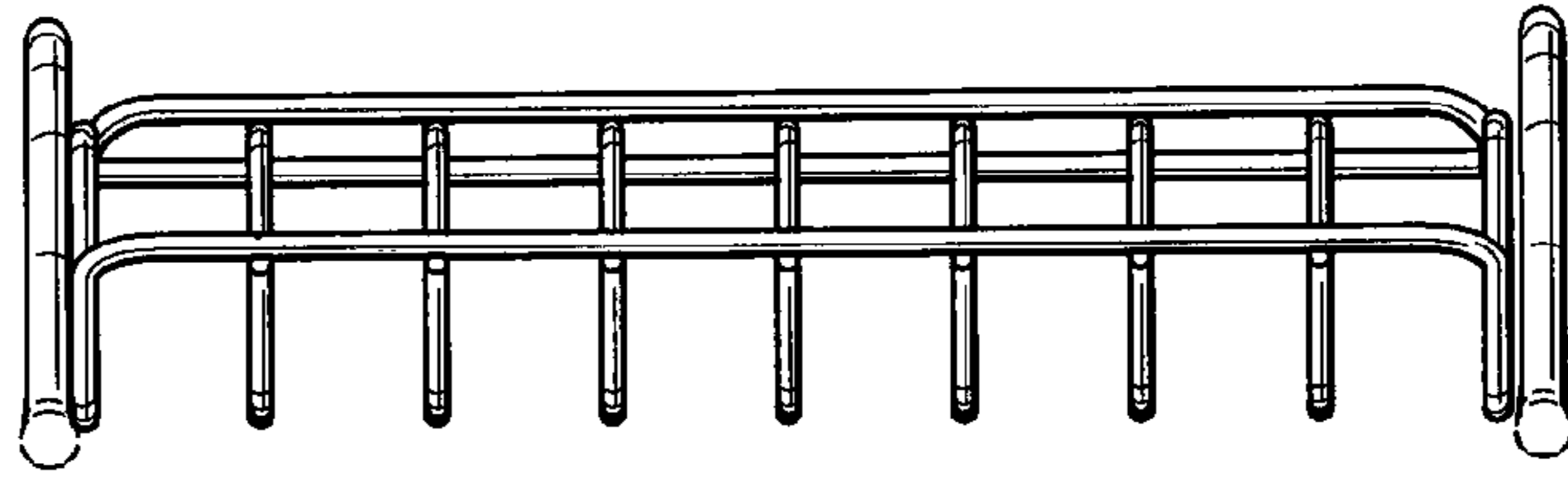


FIG. 5

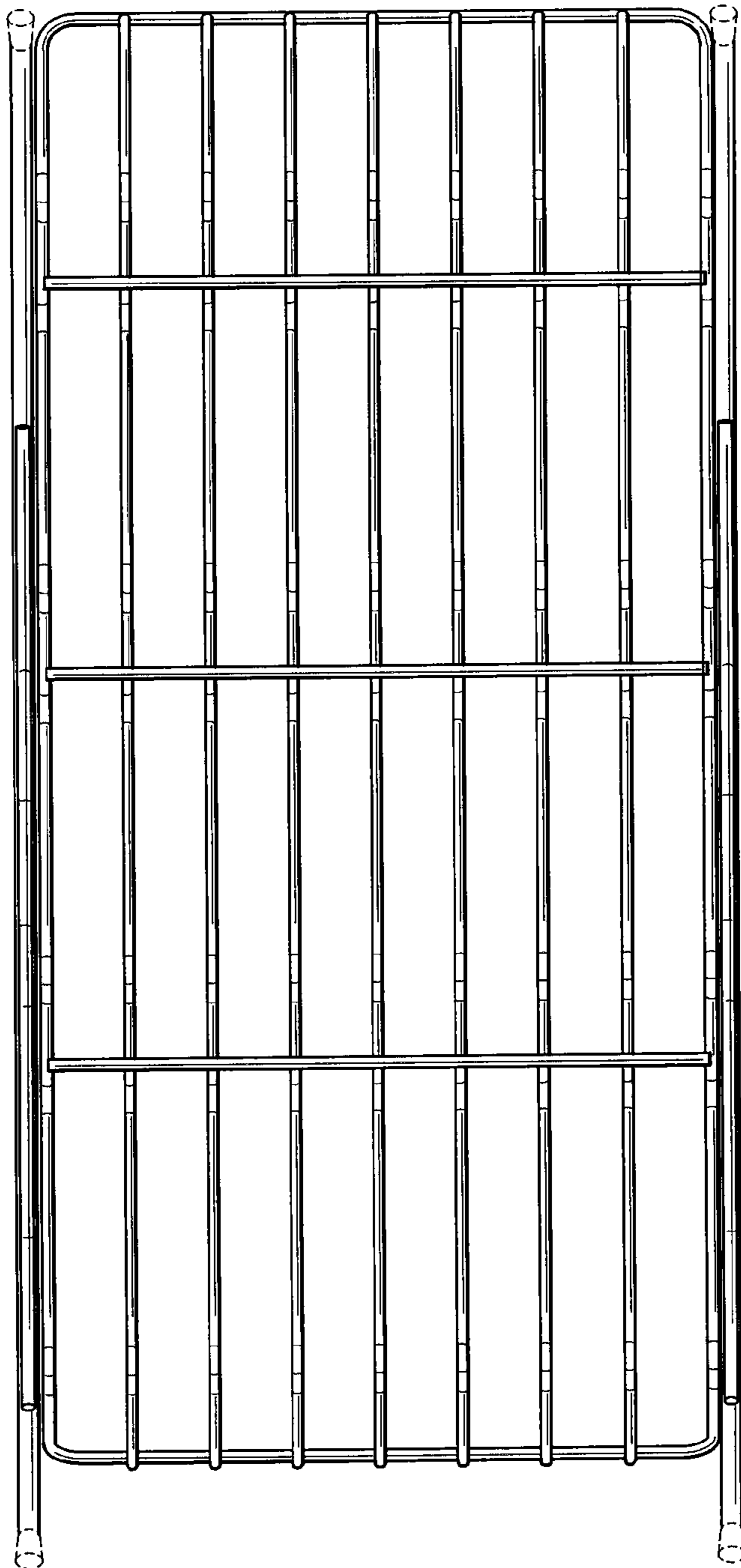


FIG. 6