



US00D593799S

(12) **United States Design Patent**
Cruver, IV et al.

(10) **Patent No.:** **US D593,799 S**
(45) **Date of Patent:** **** Jun. 9, 2009**

(54) **HANDLE FOR AN OVEN OR THE LIKE**
(75) Inventors: **Curtis Leroy Cruver, IV**, Elmhurst, IL (US); **William C. Cesaroni**, Glenview, IL (US); **Greg A. Martin**, Verona, WI (US); **Jared L. Fritts**, Chicago, IL (US)

(73) Assignee: **Wolf Appliance, Inc.**, Fitchburg, WI (US)

(**) Term: **14 Years**

(21) Appl. No.: **29/289,182**

(22) Filed: **May 7, 2007**

Related U.S. Application Data

(63) Continuation-in-part of application No. 29/269,201, filed on Nov. 22, 2006, now Pat. No. Des. 582,198.

(51) **LOC (9) Cl.** **07-02**

(52) **U.S. Cl.** **D7/402**

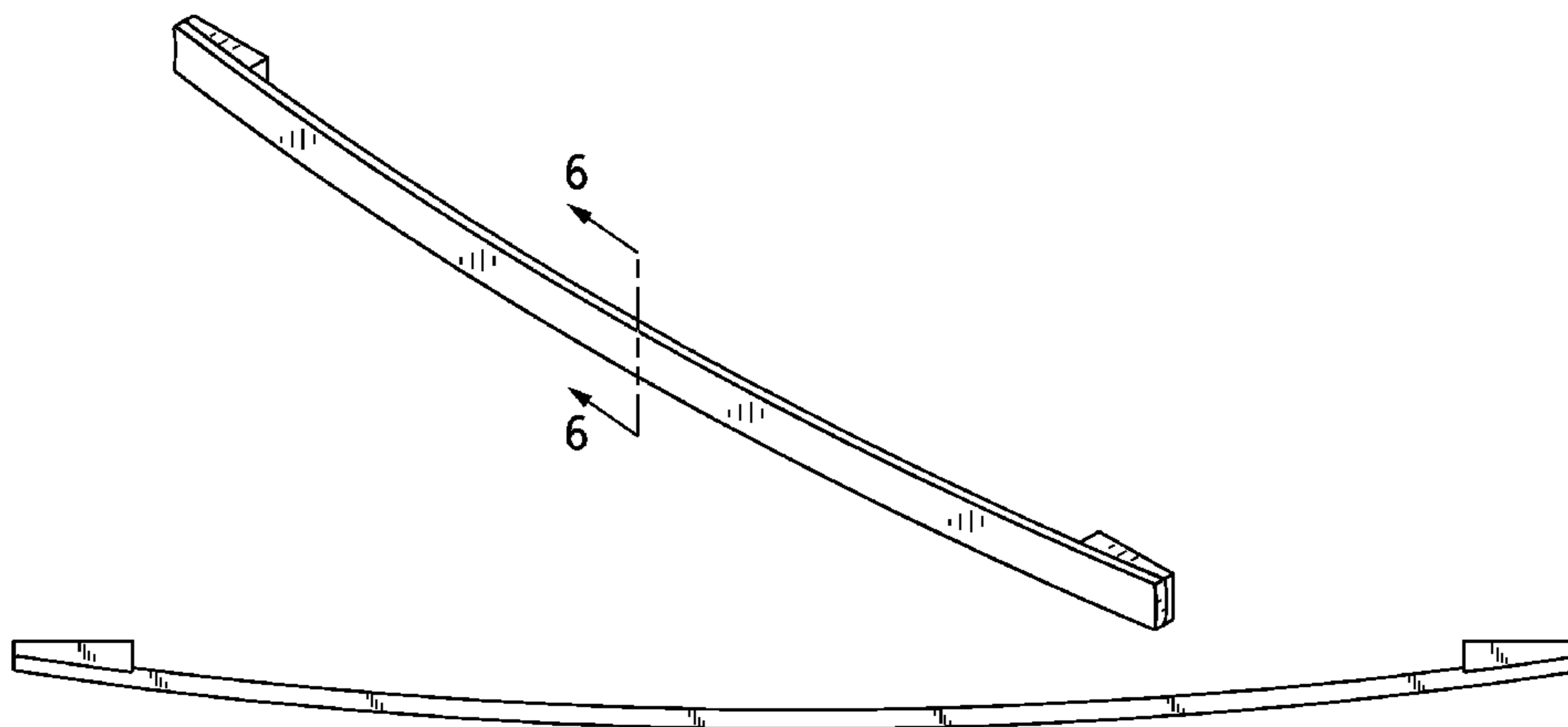
(58) **Field of Classification Search** D7/350.1-350.4, D7/351, 402, 405, 406; 126/19 M, 275 R, 126/275 E, 21 A; 219/756-758, 386-387, 219/393; 99/327-328, 329 R, 331, 332, 99/348, 357, 467, 448, 468, 483, 339; 366/98, 366/146; D8/300, 303, 306, 313, 315-320, D8/DIG. 1; 16/110.1, 111.1, 436, DIG. 19
See application file for complete search history.

(56) **References Cited**

U.S. PATENT DOCUMENTS

D210,561 S *	3/1968	Roberts	D15/89
D229,291 S *	11/1973	Frawley	D8/317
3,995,349 A	12/1976	Roberts et al.		
4,021,072 A	5/1977	Belanger		
D277,449 S	2/1985	Vetter et al.		
4,922,576 A	5/1990	Weidner et al.		
D339,406 S	9/1993	Decursu et al.		
D342,436 S *	12/1993	Cook et al.	D8/317
5,303,451 A	4/1994	Graviss et al.		
D374,372 S	10/1996	Holbrook, Jr.		
5,562,090 A	10/1996	Katz		

D375,867 S	11/1996	Sparks		
D379,734 S	6/1997	Baldwin		
D391,800 S	3/1998	Holbrook, Jr.		
5,740,587 A	4/1998	Onai et al.		
D399,390 S	10/1998	Baldwin		
D405,311 S	2/1999	Holbrook, Jr.		
D423,287 S	4/2000	Marchand		
D424,873 S *	5/2000	Holbrook	D7/402
D428,304 S	7/2000	Holbrook		
D429,953 S	8/2000	Orzel et al.		
D429,954 S	8/2000	Orzel et al.		
D430,451 S	9/2000	Bordet		
D431,444 S	10/2000	Short		
D462,867 S	9/2002	Resuello et al.		
6,473,939 B1	11/2002	Stegmaier		
D468,579 S *	1/2003	Sakai et al.	D7/351
D468,585 S	1/2003	Resuello et al.		
D468,962 S	1/2003	Jones et al.		
D469,657 S	2/2003	Becker et al.		
D470,720 S	2/2003	Jones et al.		
D471,403 S	3/2003	Jones et al.		
D473,747 S	4/2003	Seymour et al.		
6,546,597 B2 *	4/2003	Atalla et al.	16/436
D475,569 S	6/2003	Nichols		
D477,177 S	7/2003	Jeong		
D477,496 S	7/2003	Monguilod et al.		
6,609,274 B2	8/2003	Christensen et al.		
D486,349 S	2/2004	Nichols		
D495,556 S	9/2004	Milrud et al.		
D503,583 S	4/2005	Masin		
D504,902 S	5/2005	Tunzi		
D505,139 S	5/2005	Jackovin		
D510,226 S	10/2005	Vetter		
D510,227 S	10/2005	Baldwin		
D510,501 S	10/2005	Kim et al.		
D511,271 S	11/2005	Grutzke et al.		
D511,272 S	11/2005	Grutzke et al.		
D511,651 S	11/2005	Grutzke et al.		
D511,926 S	11/2005	Baldwin		
D512,873 S	12/2005	Grutzke et al.		
D514,382 S	2/2006	Grutzke et al.		
D516,379 S	3/2006	Grutzke et al.		
D516,406 S	3/2006	Brammer et al.		
D516,862 S	3/2006	Grutzke et al.		
D521,804 S *	5/2006	Huxhold et al.	D7/405
D521,805 S *	5/2006	Hessen et al.	D7/405
D524,093 S	7/2006	Home		
D524,094 S	7/2006	Home		
D524,103 S	7/2006	Bradshaw		



D525,476 S	7/2006	Bengtson et al.	
D525,830 S	8/2006	Pryor	
D526,844 S	8/2006	Bradshaw	
D527,572 S *	9/2006	Lee et al.	D7/350.1
D527,948 S	9/2006	Bengtson	
D530,151 S	10/2006	Huxhold et al.	
D530,152 S	10/2006	Pryor	
D530,561 S *	10/2006	Kim	D7/351
D530,590 S	10/2006	Singtoroj et al.	
D530,971 S	10/2006	Kim	
D530,972 S	10/2006	Park	
D530,979 S	10/2006	Huxhold et al.	
D534,035 S	12/2006	Huxhold et al.	
D535,515 S	1/2007	Sadtler	
D535,847 S	1/2007	Sadtler	
D537,849 S	3/2007	Wong et al.	
D540,884 S	4/2007	Mallory et al.	
D541,578 S *	5/2007	Jeon	D7/350.1
D542,090 S *	5/2007	Kim	D7/402
D543,781 S	6/2007	Martin et al.	
7,234,457 B2	6/2007	Bartmann et al.	
D546,623 S *	7/2007	Kim	D7/402
D551,056 S	9/2007	Ricereto	
D552,959 S *	10/2007	Gilboe	D8/317
D553,944 S *	10/2007	Jou	D8/316
D565,892 S *	4/2008	McConnell et al.	D7/402
D566,465 S *	4/2008	Crookshanks	D7/405
D567,013 S *	4/2008	Choya	D7/350.1
D568,142 S *	5/2008	Zhang et al.	D8/320
D568,675 S *	5/2008	Kawata	D7/350.1
D571,149 S *	6/2008	Crookshanks	D7/405
D579,310 S *	10/2008	Suh et al.	D8/315
2007/0029901 A1	2/2007	Becke	

OTHER PUBLICATIONS

- Wolf Appliance Company, Planning Information for 30" Built-In Single Oven, Sep. 2006; 7 pgs.
- Wolf Appliance Company, Built-In Ovens Installation Instructions, Sep. 2005; 16 pgs.
- Wolf Appliance Company, Built-In Ovens Use & Care Information, Aug. 2005; 40 pgs.
- Wolf Appliance Company, Planning Information for 30" Built-In Double Oven, Sep. 2006; 5 pgs.
- Wolf Appliance Company, Planning Information for 36" Built-In Single Oven, Sep. 2006; 5 pgs.
- Wolf Appliance Company, Planning Information for 36" Gas Ranges, Jul. 2006; 5 pgs.
- Wolf Appliance Company, Gas Ranges Use & Care Information, Oct. 2006; 36 pgs.
- Wolf Appliance Company, Gas Ranges Installation Instructions, Oct. 2006; 20 pgs.

* cited by examiner

Primary Examiner—Ruth McInroy
(74) Attorney, Agent, or Firm—Foley & Lardner LLP

(57) CLAIM

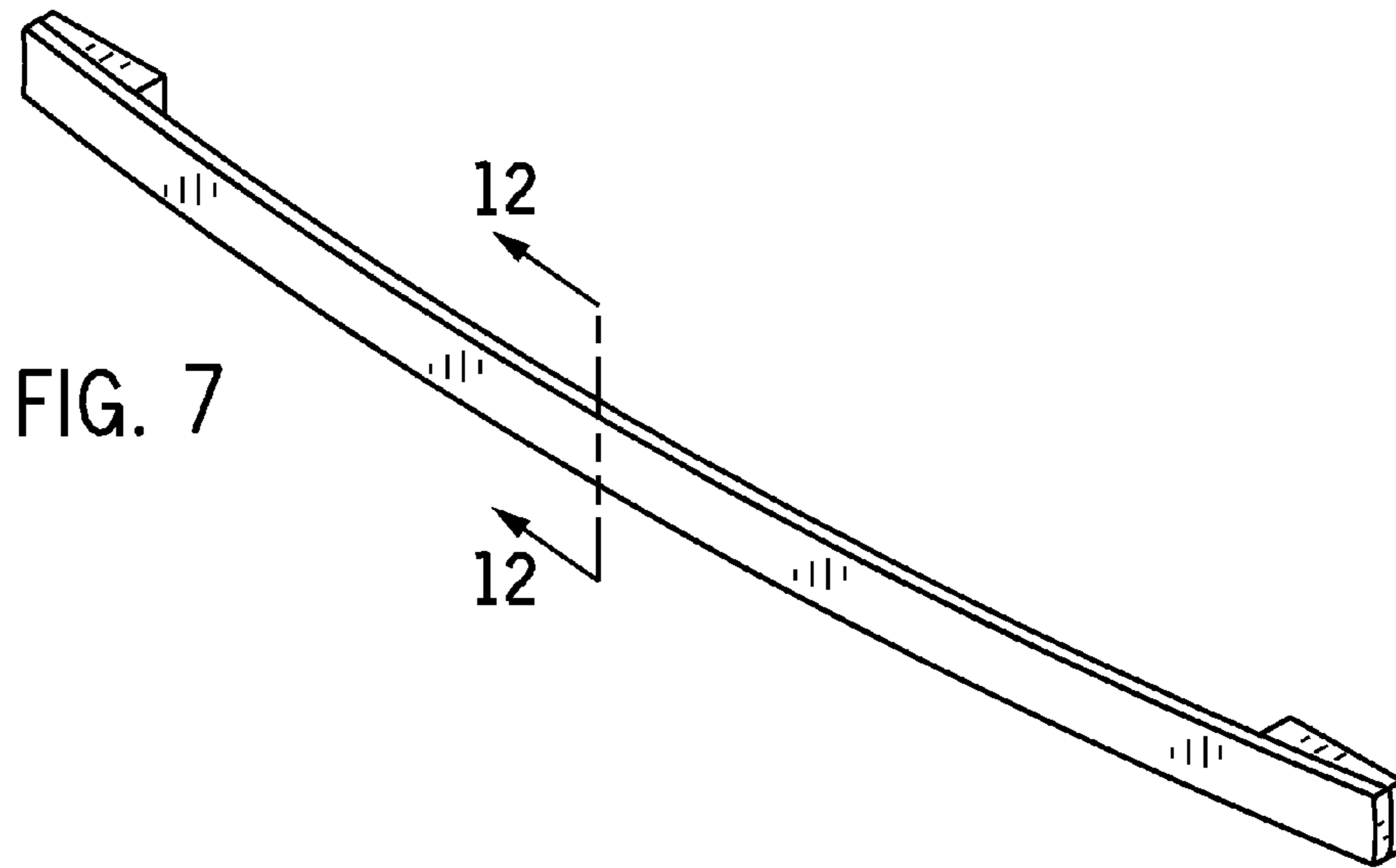
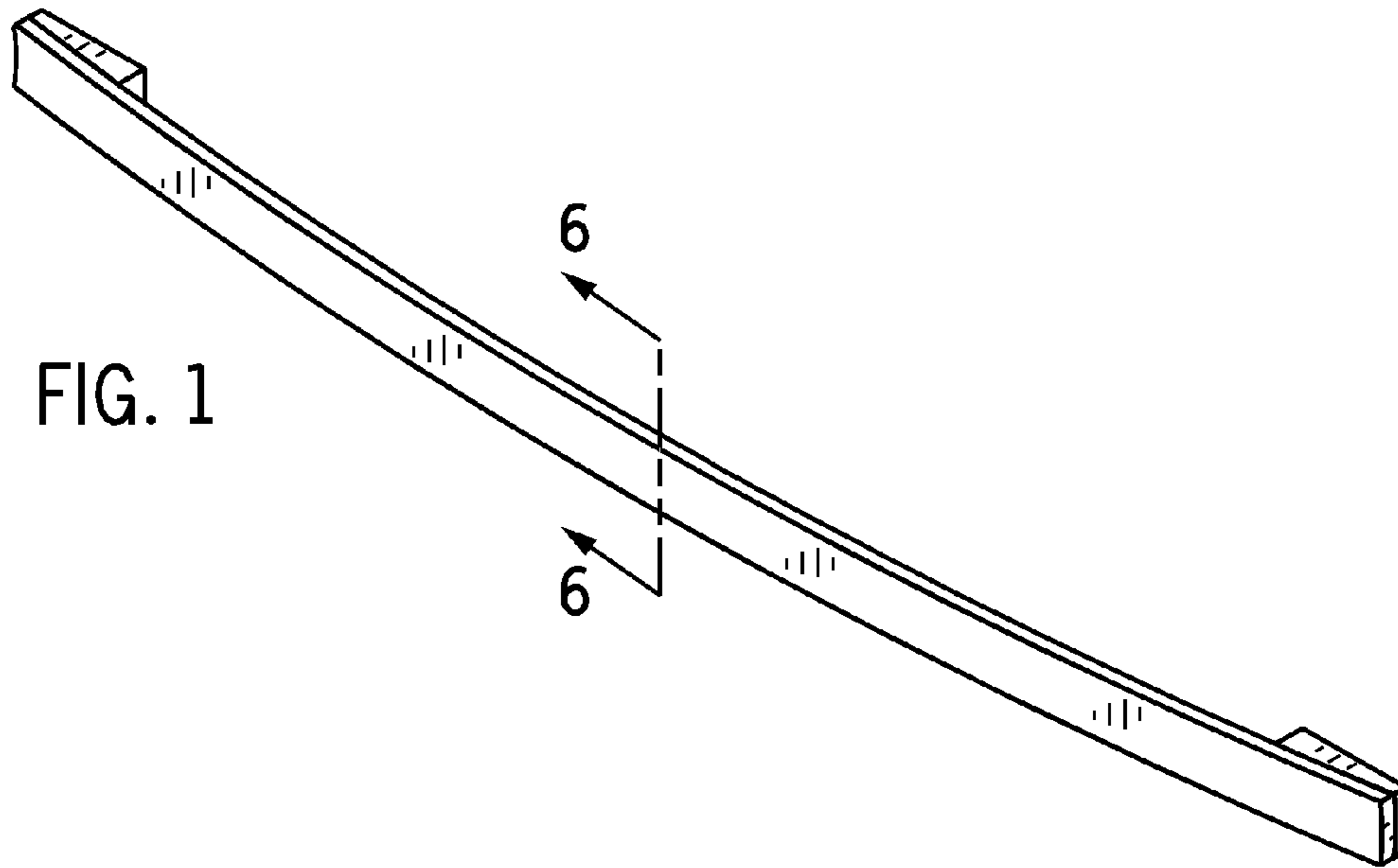
We claim the ornamental design for a handle for an oven or the like, as shown and described.

DESCRIPTION

FIG. 1 is a perspective view of a handle for an oven or the like showing our new design;
 FIG. 2 is a front view of FIG. 1;
 FIG. 3 is a top view of FIG. 1, the bottom view is a mirror image;
 FIG. 4 is a rear view of FIG. 1;
 FIG. 5 is a right side view of FIG. 1, the left side view is a mirror image;
 FIG. 6 is a sectional view taken along line 6—6 in FIG. 1;
 FIG. 7 is a perspective view of a second embodiment thereof;
 FIG. 8 is a front view of FIG. 7;
 FIG. 9 is a top view of FIG. 7, the bottom view is a mirror image;
 FIG. 10 is a rear view of FIG. 7;
 FIG. 11 is a right side view of FIG. 7, the left side view is a mirror image;
 FIG. 12 is a sectional view taken along line 12—12 in FIG. 7;
 FIG. 13 is a perspective view of a third embodiment thereof;
 FIG. 14 is a front view of FIG. 13;
 FIG. 15 is a top view of FIG. 13, the bottom view is a mirror image;
 FIG. 16 is a rear view of FIG. 13;
 FIG. 17 is a right side view of FIG. 13, the left side view is a mirror image;
 FIG. 18 is a sectional view taken along line 18—18 in FIG. 13;
 FIG. 19 is a perspective view of a fourth embodiment thereof;
 FIG. 20 is a front view of FIG. 19;
 FIG. 21 is a top view of FIG. 19, the bottom view is a mirror image;
 FIG. 22 is a rear view of FIG. 19;
 FIG. 23 is a right side view of FIG. 19, the left side view is a mirror image; and,
 FIG. 24 is a sectional view taken along line 24—24 in FIG. 19.

The ornamental design which is claimed is shown in solid lines in the drawings. The broken lines in the drawings are for illustrative purposes only and form no part of the claimed design.

1 Claim, 8 Drawing Sheets



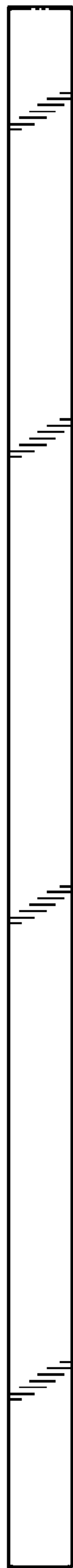


FIG. 2



FIG. 3



FIG. 4



FIG. 5

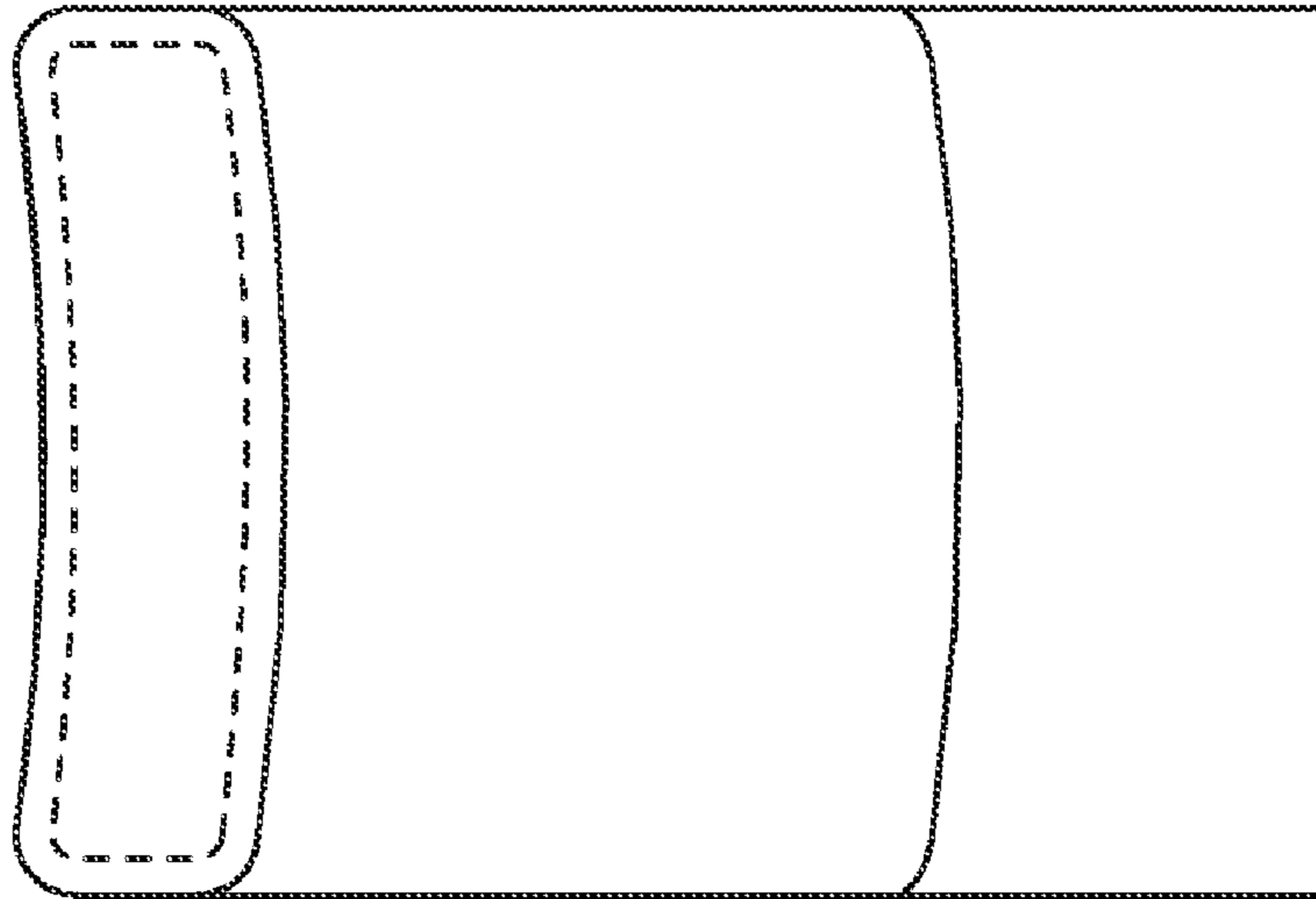


FIG. 6

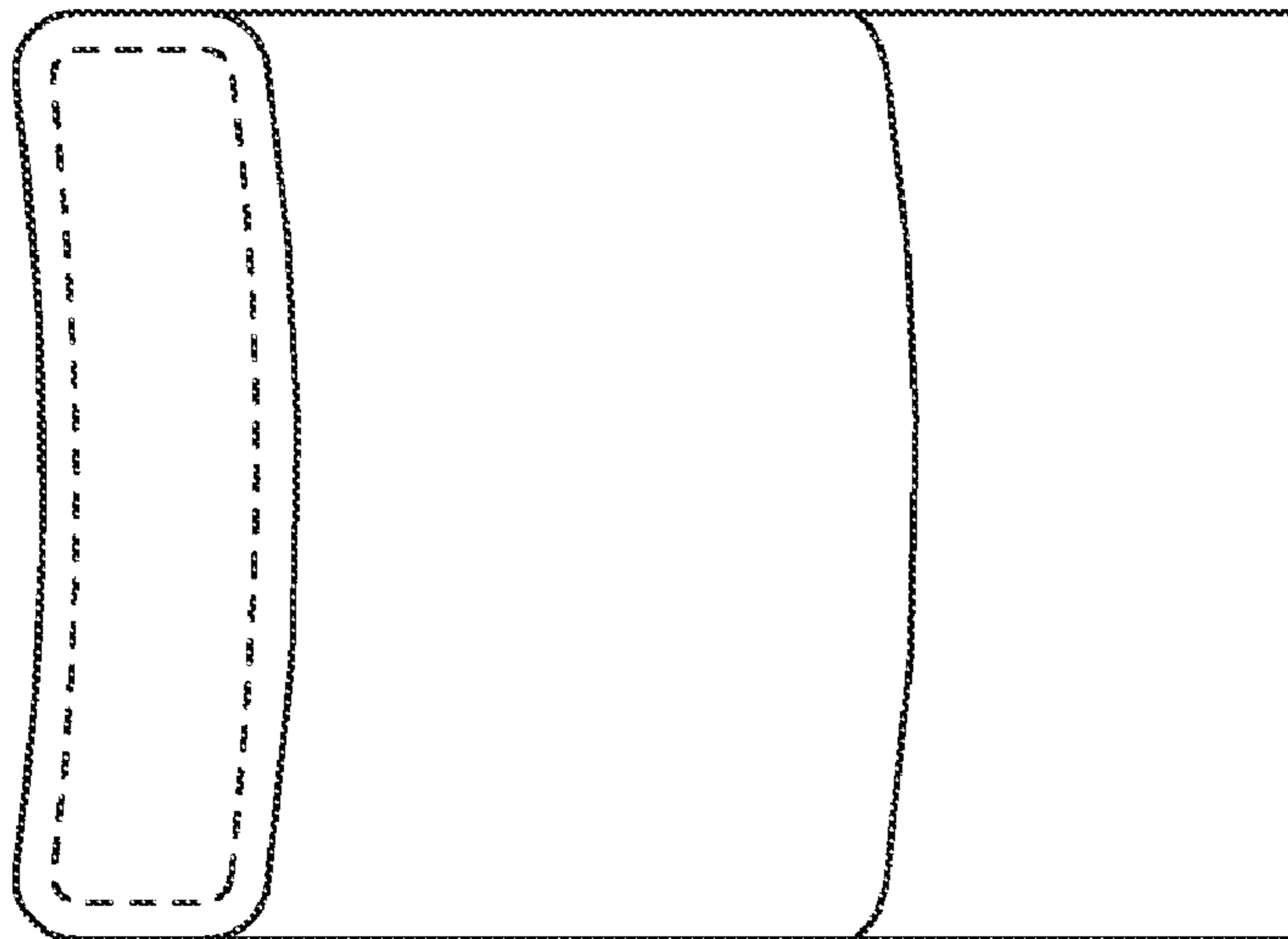


FIG. 12

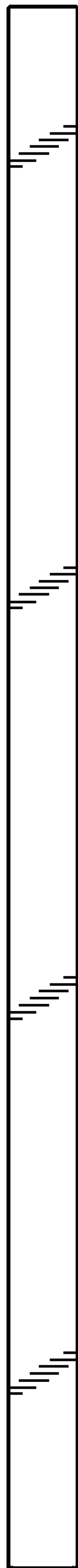


FIG. 8



FIG. 9

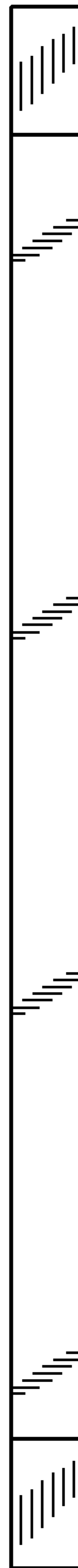


FIG. 10



FIG. 11

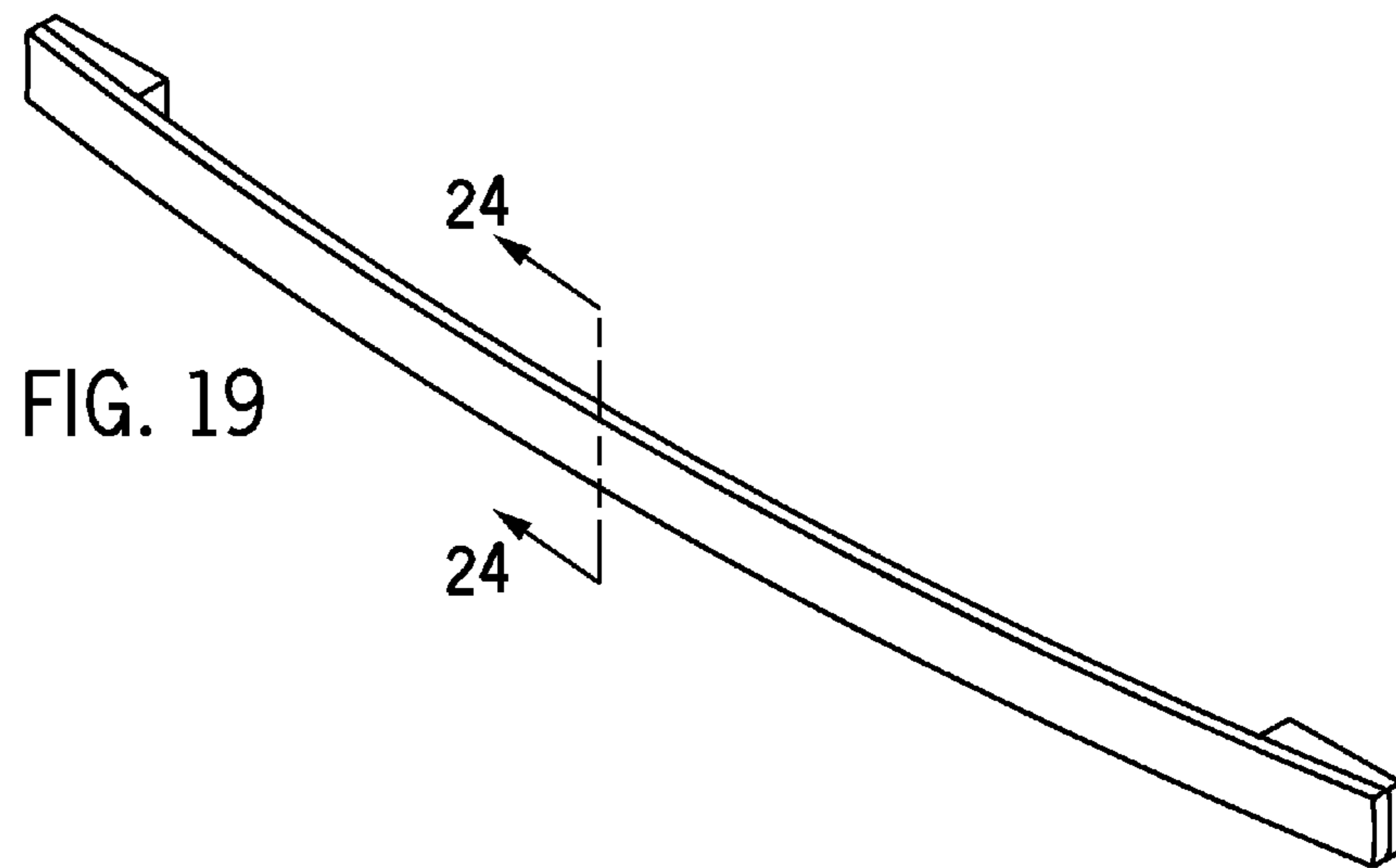
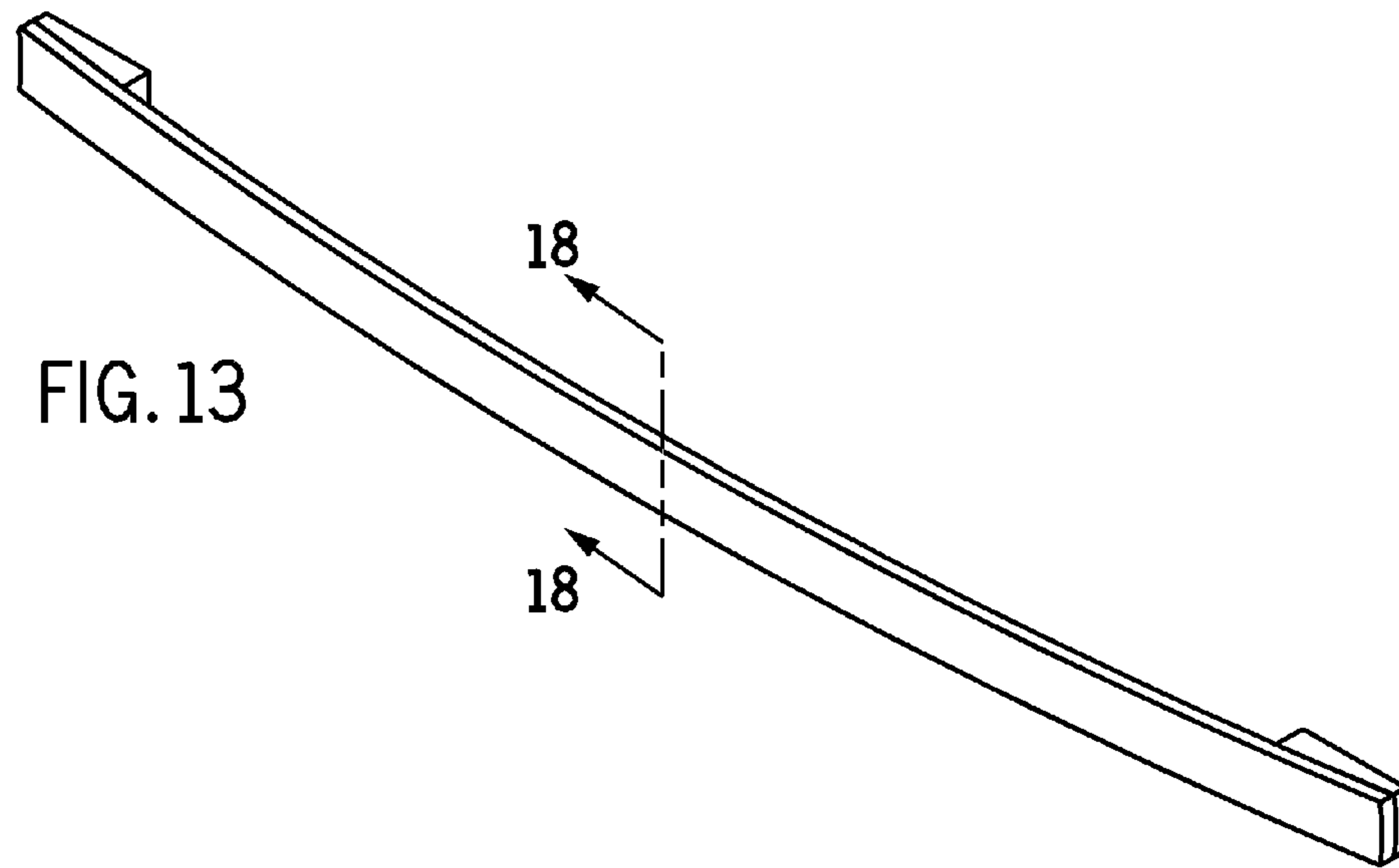




FIG. 14



FIG. 15



FIG. 16



FIG. 17

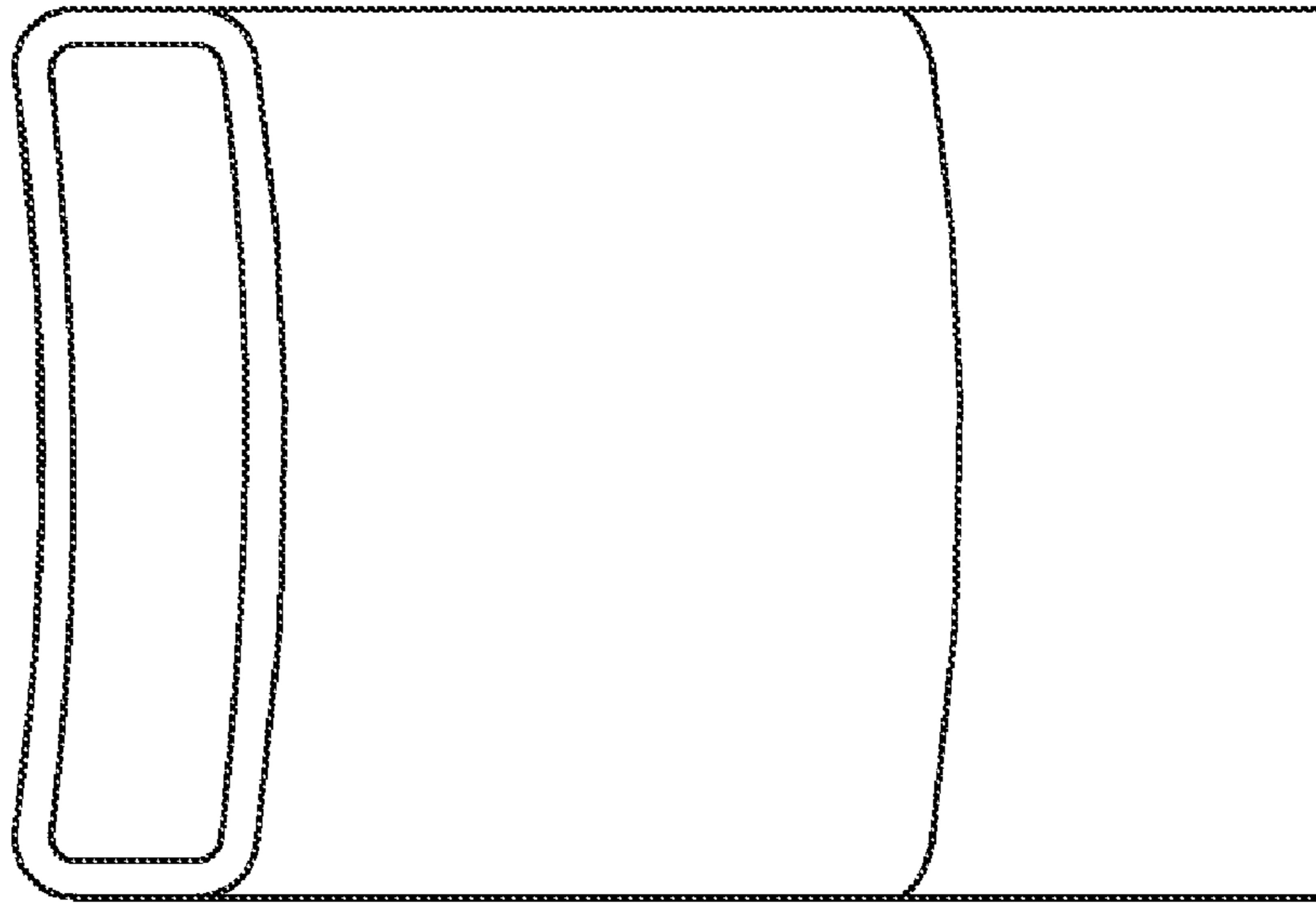


FIG. 18

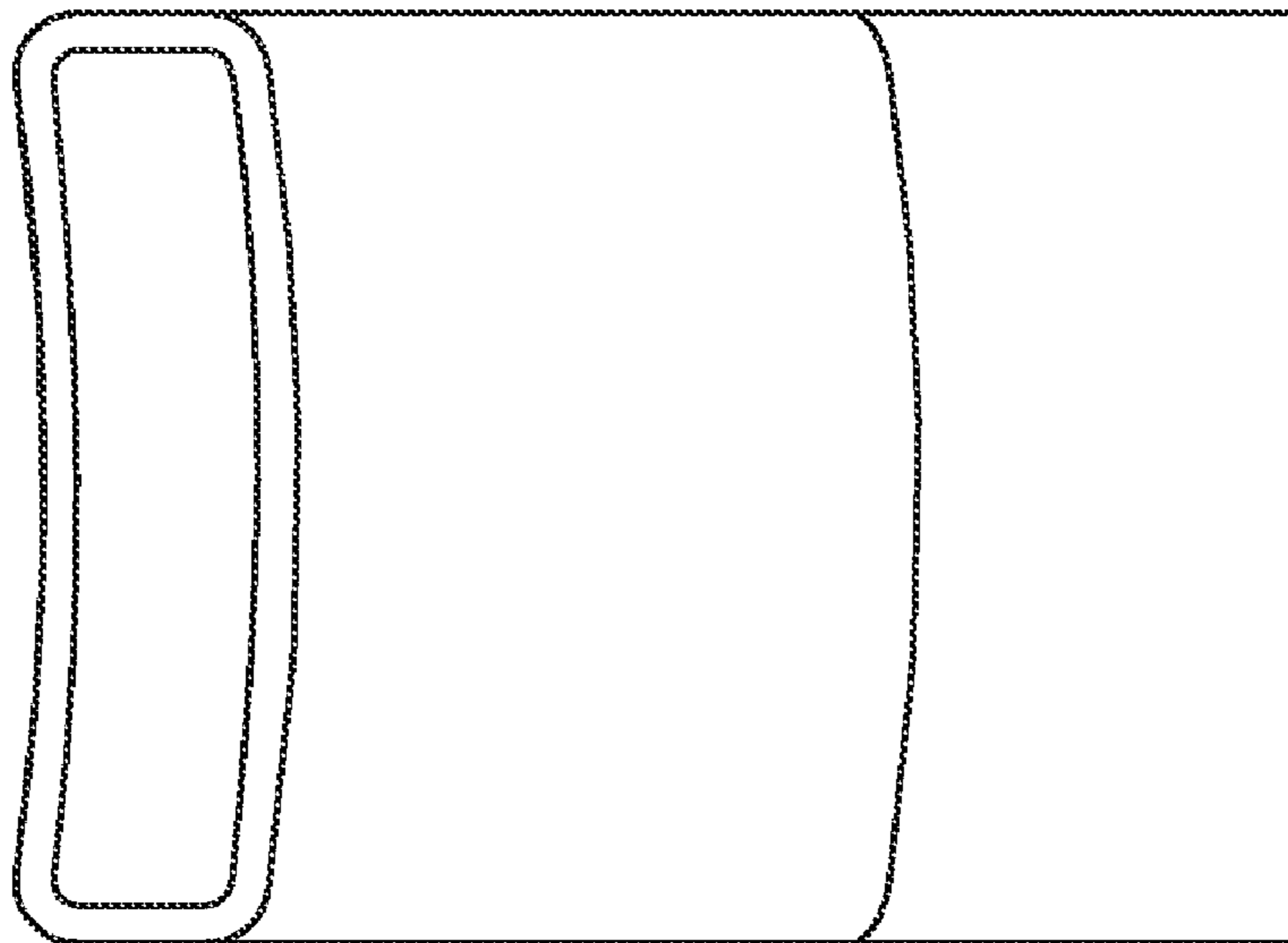


FIG. 24

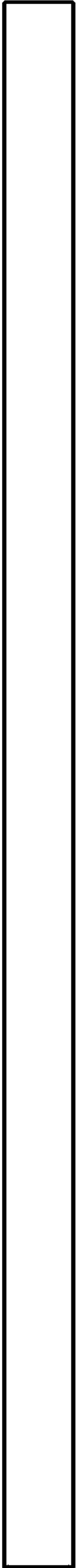


FIG. 20



FIG. 21

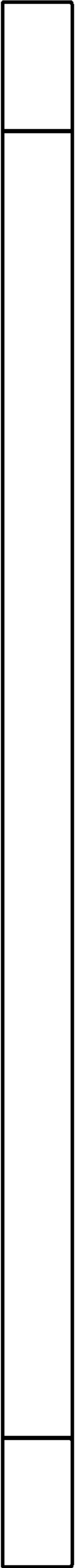


FIG. 22

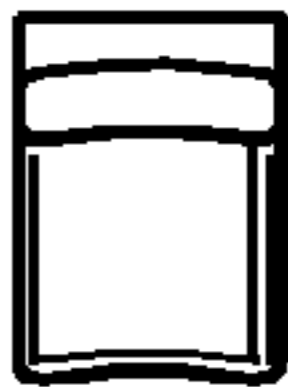


FIG. 23