



US00D593794S

(12) **United States Design Patent**
Rae

(10) **Patent No.:** **US D593,794 S**
(45) **Date of Patent:** **** Jun. 9, 2009**

(54) **EXTENDED COOKWARE HANDLE**

D560,429 S * 1/2008 Prakasa D7/395
D575,982 S * 9/2008 Rae D7/393

(75) Inventor: **Robert A Rae**, Las Vegas, NV (US)

* cited by examiner

(73) Assignee: **Meyer Intellectual Properties Limited**
(VG)

Primary Examiner—Holly H Baynham

Assistant Examiner—Cynthia M Chin

(74) *Attorney, Agent, or Firm*—Edward S. Sherman

(**) Term: **14 Years**

(21) Appl. No.: **29/323,034**

(57) **CLAIM**

(22) Filed: **Aug. 15, 2008**

The ornamental design for a extended cookware handle, as shown and described.

(51) **LOC (9) Cl.** **07-02**

(52) **U.S. Cl.** **D7/395**

(58) **Field of Classification Search** D7/354–361,
D7/393–395; D8/107, 307, 300; D4/138,
D4/129; 16/430, 431, 110.1, 407; 220/573.1–573.5,
220/752, 753, 755, 756, 759, 771, 912
See application file for complete search history.

DESCRIPTION

FIG. 1 is a perspective view from above the front and side of the “extended cookware handle”, showing my new design;

FIG. 2 is a top plan view thereof;

FIG. 3 is a front elevation thereof;

FIG. 4 is a side elevation view thereof;

FIG. 5 is a bottom plan view thereof;

FIG. 6 is a back elevation view thereof; and,

FIG. 7 is a bottom perspective view thereof.

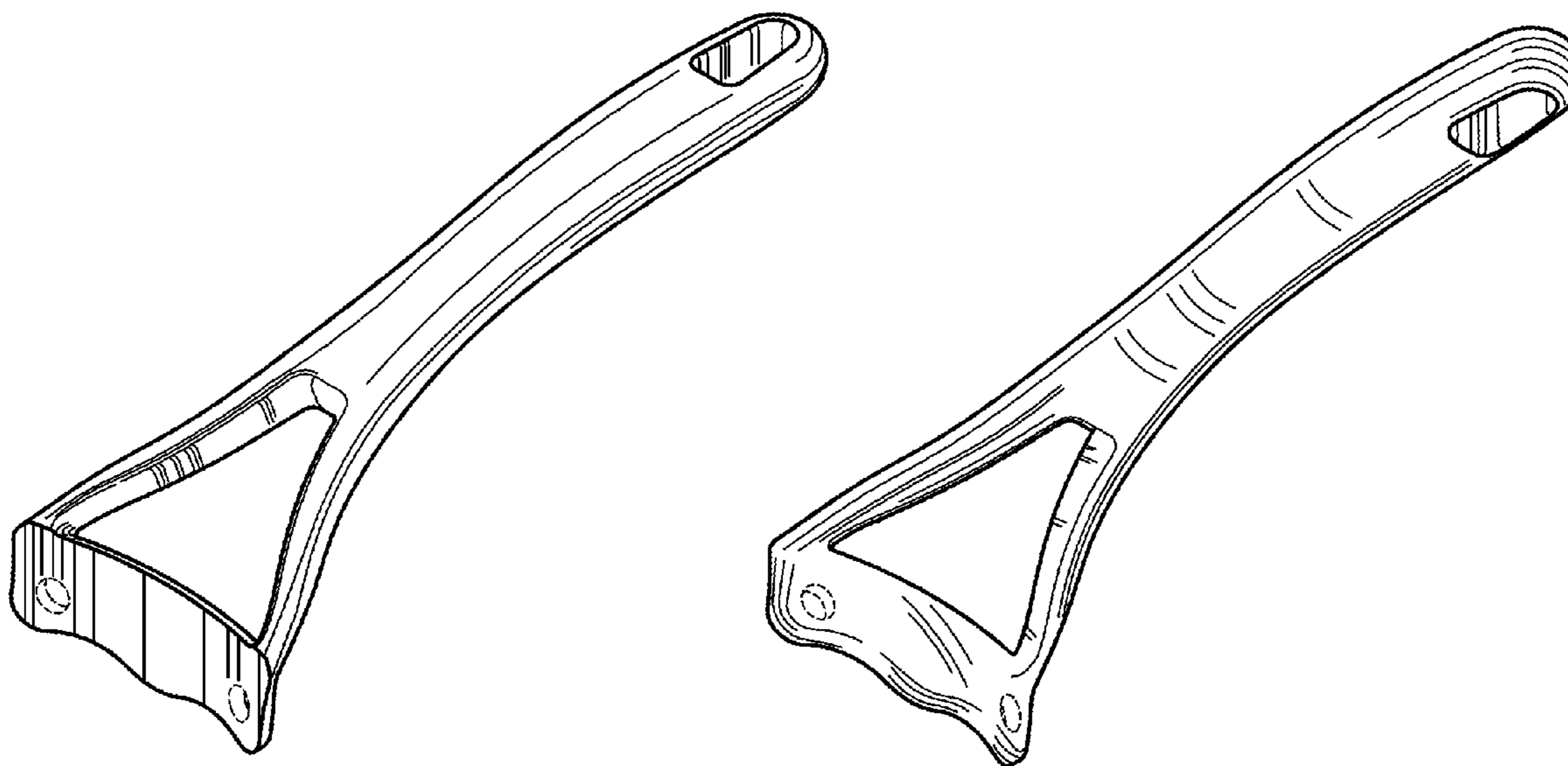
The broken lines in FIGS. 1–7 are for illustrative purposes only, depicting the rivet holes in the handle, forming no part thereof as claimed.

(56) **References Cited**

U.S. PATENT DOCUMENTS

D407,600 S * 4/1999 LoGiudice D7/395
D429,950 S * 8/2000 Yu et al. D7/395
D458,801 S * 6/2002 Coudurier D7/395
D555,425 S * 11/2007 Rae D7/395
D555,971 S * 11/2007 Rae D7/395
D560,426 S * 1/2008 Prakasa D7/395

1 Claim, 2 Drawing Sheets



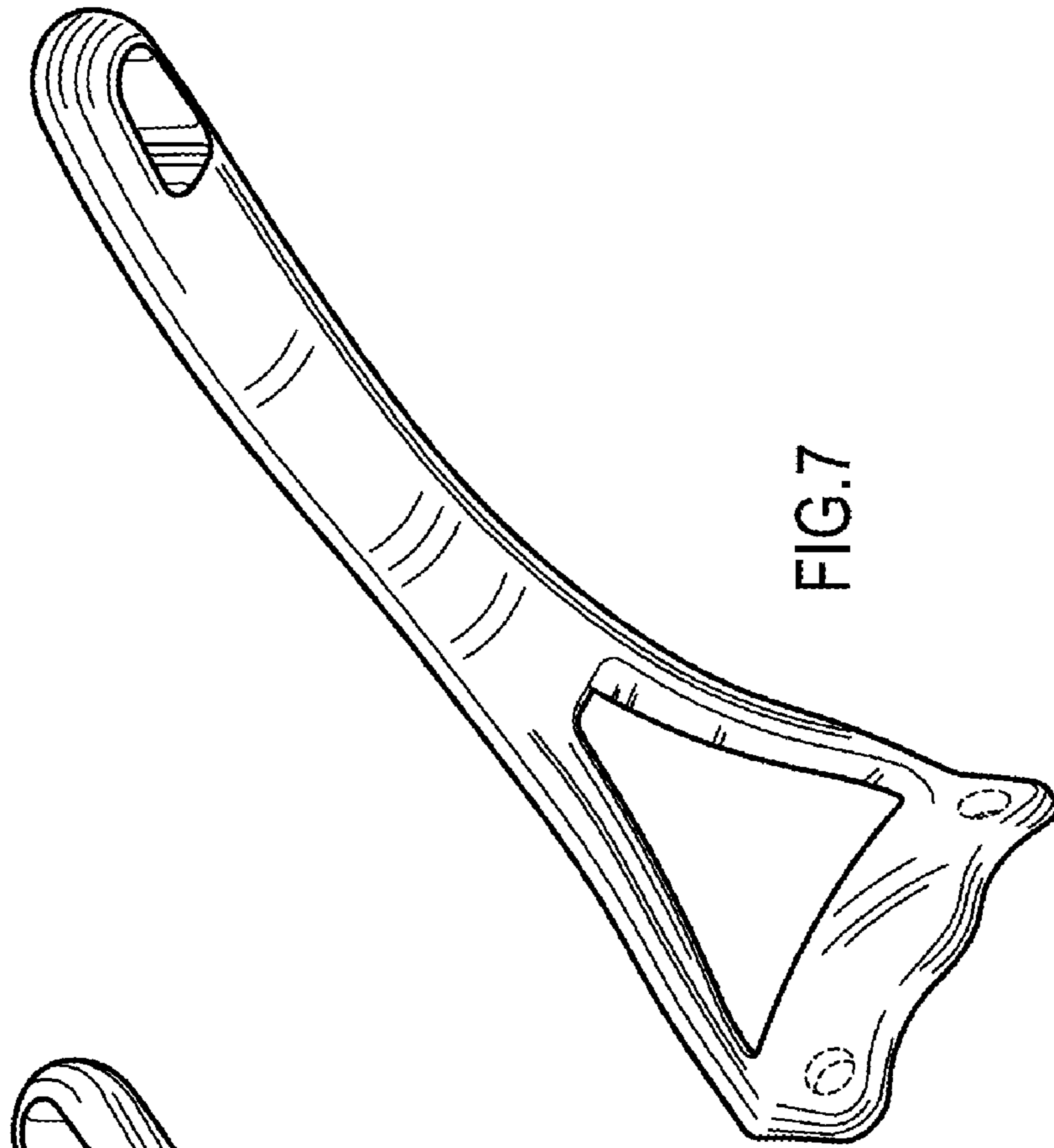


FIG. 7

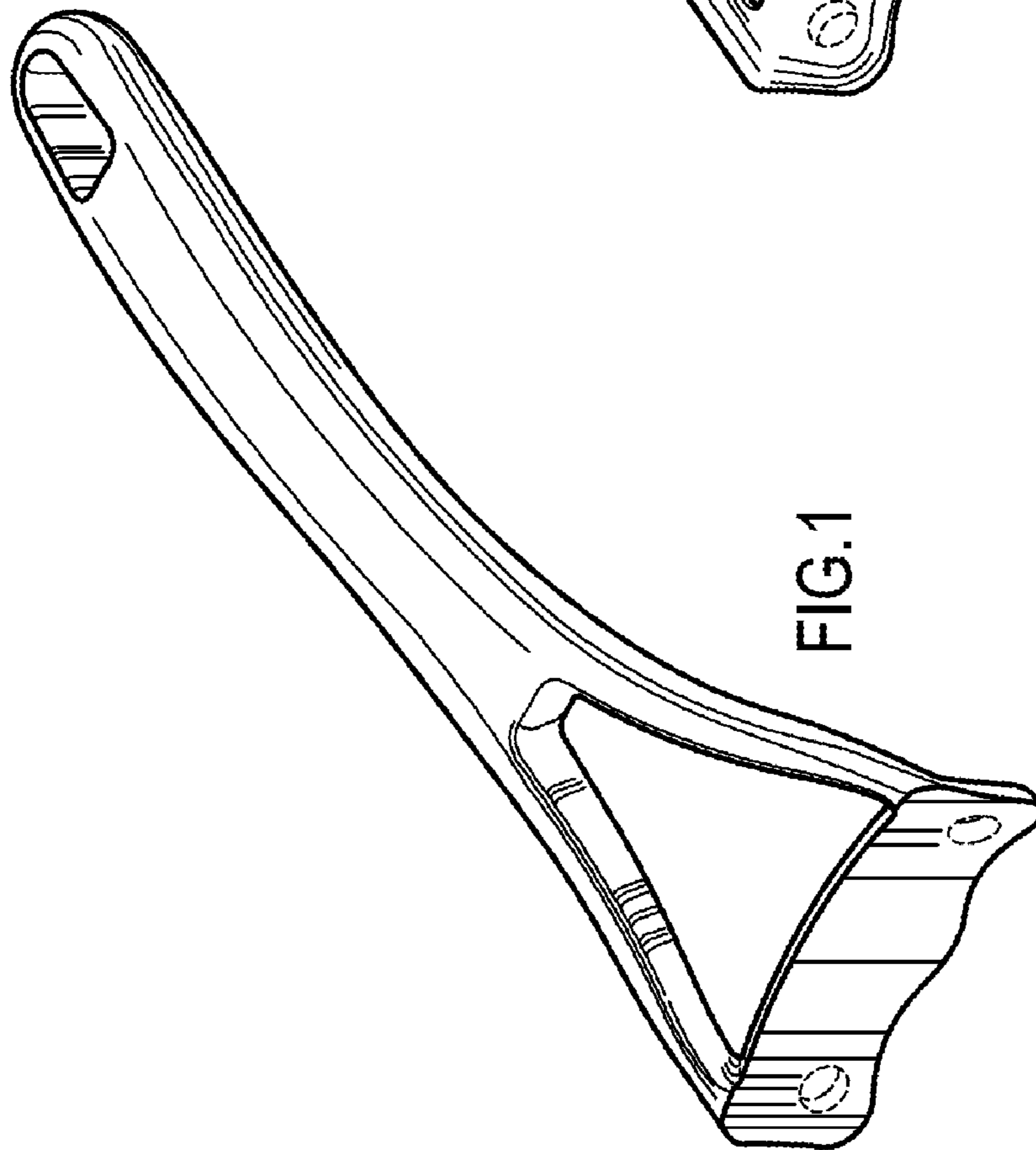


FIG. 1

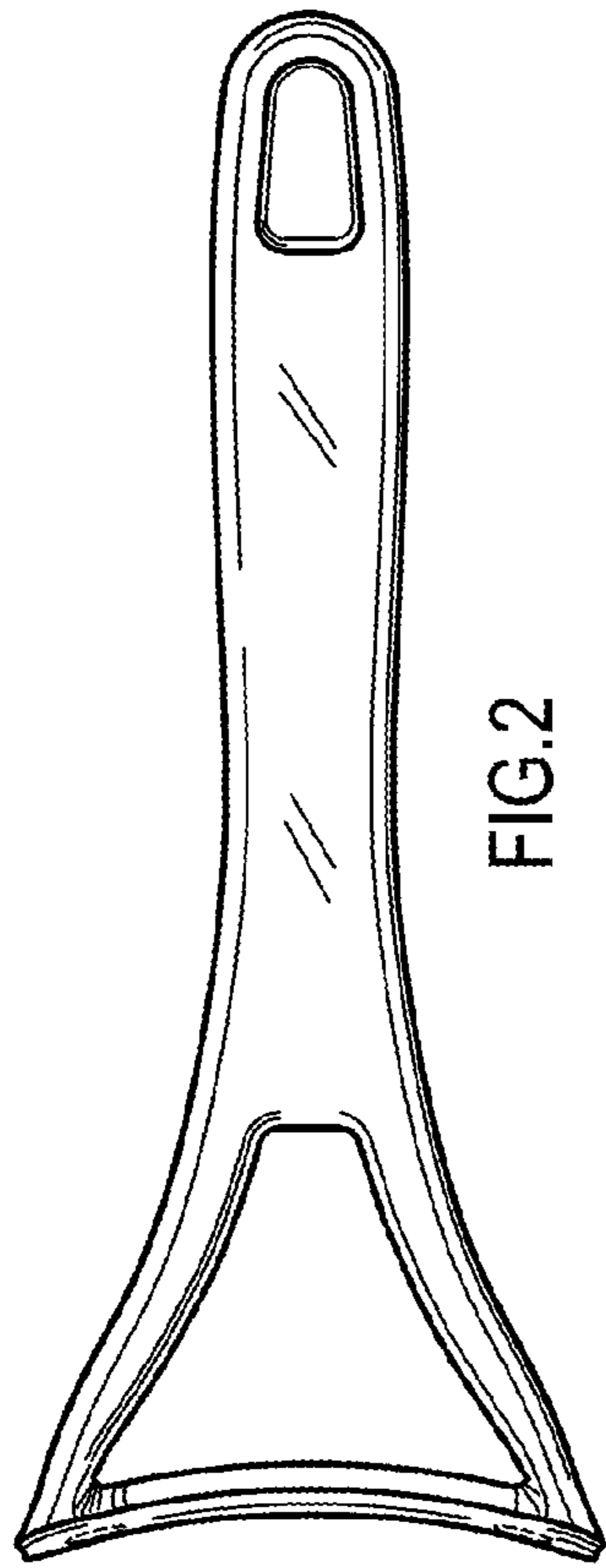


FIG. 2

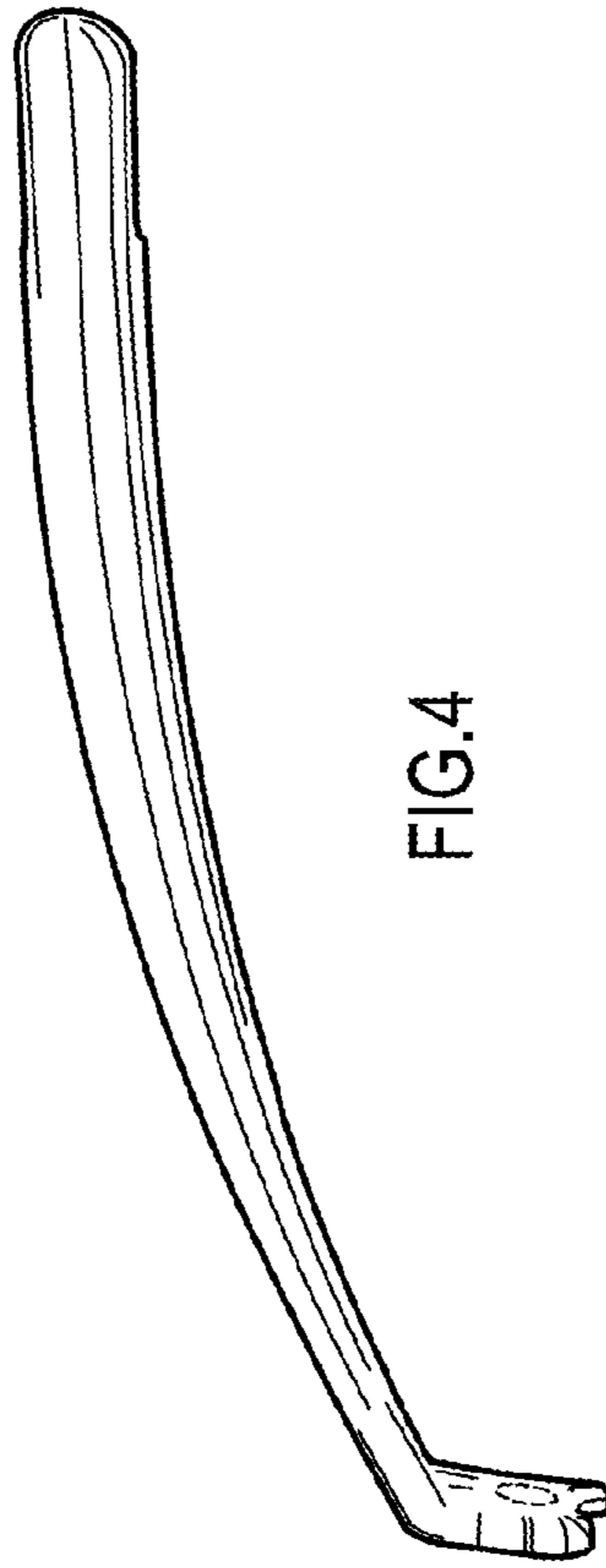


FIG. 4

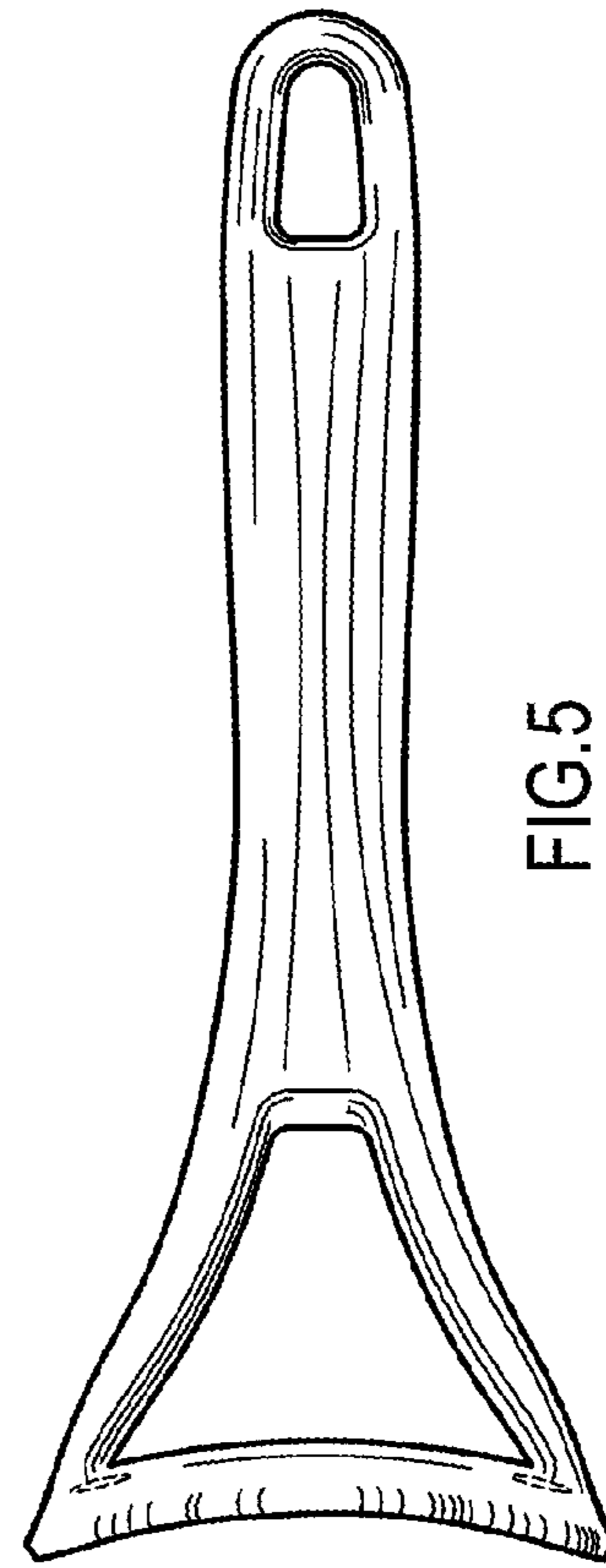


FIG. 5

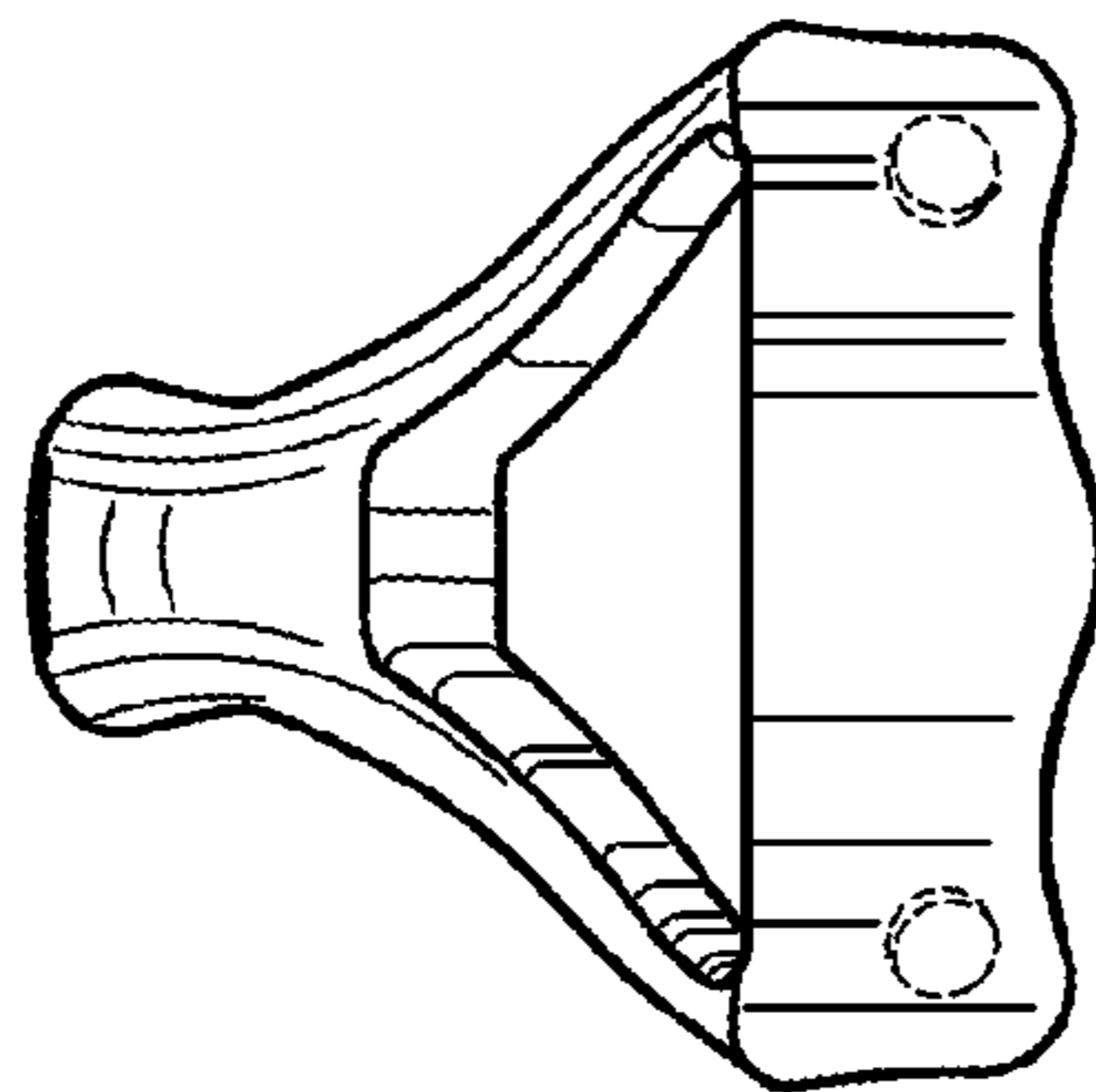


FIG. 3

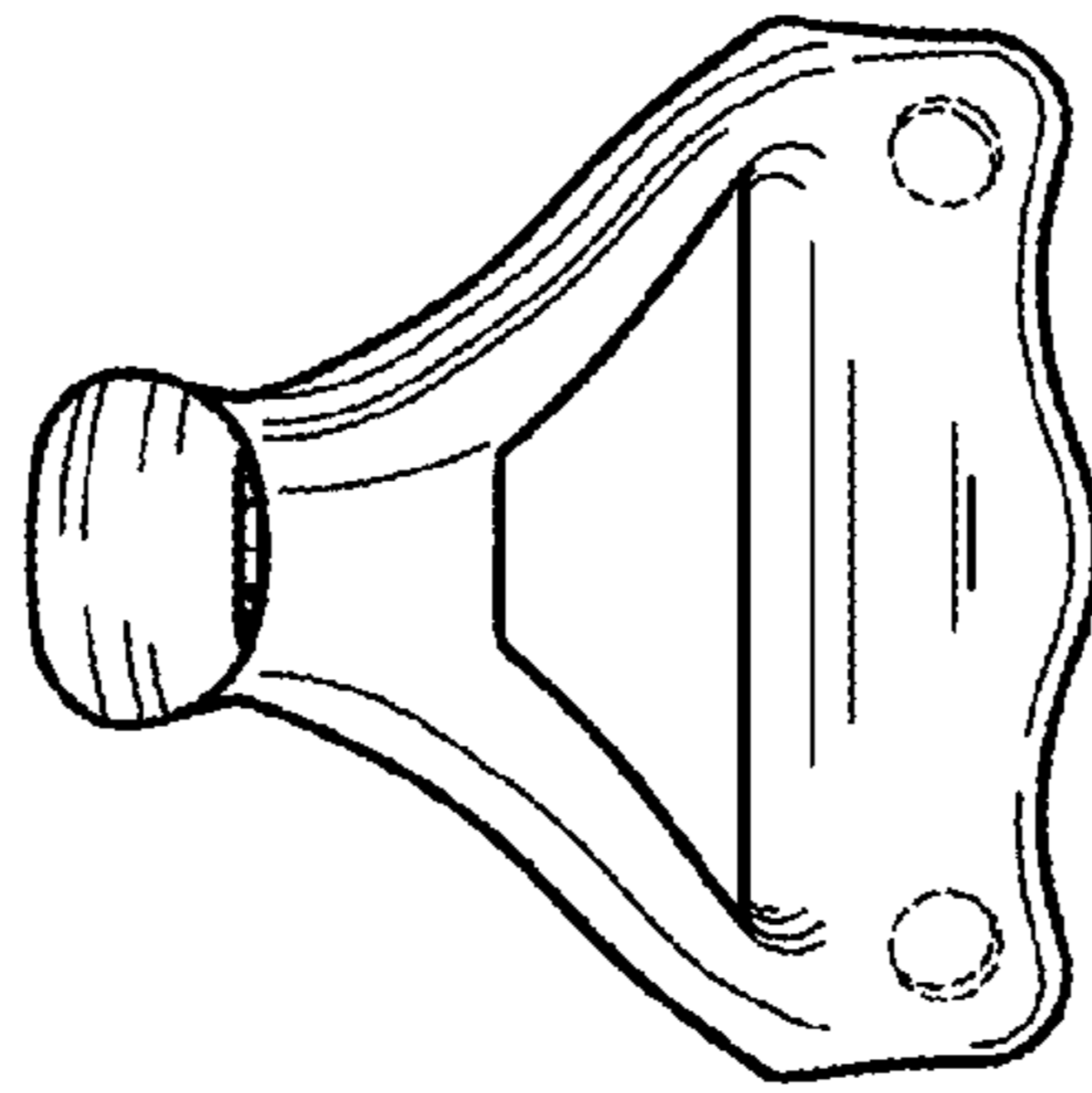


FIG. 6