



US00D593792S

(12) **United States Design Patent**
Li

(10) **Patent No.:** **US D593,792 S**
(45) **Date of Patent:** **** Jun. 9, 2009**

(54) **BLENDER**

(75) Inventor: **Chi Ta Li**, Tainan (TW)

(73) Assignee: **Tsann Kuen (Zhangzhou) Enterprise Co., Ltd.**, Zhangzhou (CN)

(**) Term: **14 Years**

(21) Appl. No.: **29/329,123**

(22) Filed: **Dec. 9, 2008**

(51) **LOC (9) Cl.** **31-00**

(52) **U.S. Cl.** **D7/378; D7/414**

(58) **Field of Classification Search** D7/306-313,
D7/317-318, 326, 356, 376-386, 392, 397-399,
D7/414-415, 665; 99/348, 509-511; 241/30-37.5,
241/101.01-101.2, 166-169.1, 274-278.2,
241/285.1-285.3, 291, 292.1; 366/64-67,
366/98, 192, 197-211, 205-206, 241-254,
366/279-292, 341-343

See application file for complete search history.

(56) **References Cited**

U.S. PATENT DOCUMENTS

D199,888 S *	12/1964	Dewenter	D7/378
D394,986 S *	6/1998	Lallemand	D7/378
D440,813 S *	4/2001	Gort-Barten	D7/378
D445,635 S *	7/2001	Gort-Barten	D7/378
D448,236 S *	9/2001	Murray	D7/326
D448,967 S *	10/2001	Planca et al.	D7/378

D512,265 S *	12/2005	McCurrach	D7/378
D526,156 S *	8/2006	Yeung	D7/378
D533,020 S *	12/2006	Kassenaar et al.	D7/378
D543,072 S *	5/2007	Ting et al.	D7/378
D547,601 S *	7/2007	Ting et al.	D7/384
D553,425 S *	10/2007	Steiner et al.	D7/378
D568,096 S *	5/2008	Sun	D7/378

* cited by examiner

Primary Examiner—Caron Veynar

Assistant Examiner—Ricky Pham

(74) *Attorney, Agent, or Firm*—Squire, Sanders & Dempsey, L.L.P.

(57) **CLAIM**

The ornamental design for a blender, as shown and described.

DESCRIPTION

FIG. 1 is a perspective view of the blender showing the new design;

FIG. 2 is a front elevation view thereof;

FIG. 3 is a back elevation view thereof;

FIG. 4 is a right side elevation view thereof;

FIG. 5 is a left side elevation view thereof;

FIG. 6 is a top plan view thereof; and,

FIG. 7 is a bottom plan view thereof.

The broken lines in the drawings are for illustrative purposes only and form no part of the claimed design.

1 Claim, 3 Drawing Sheets

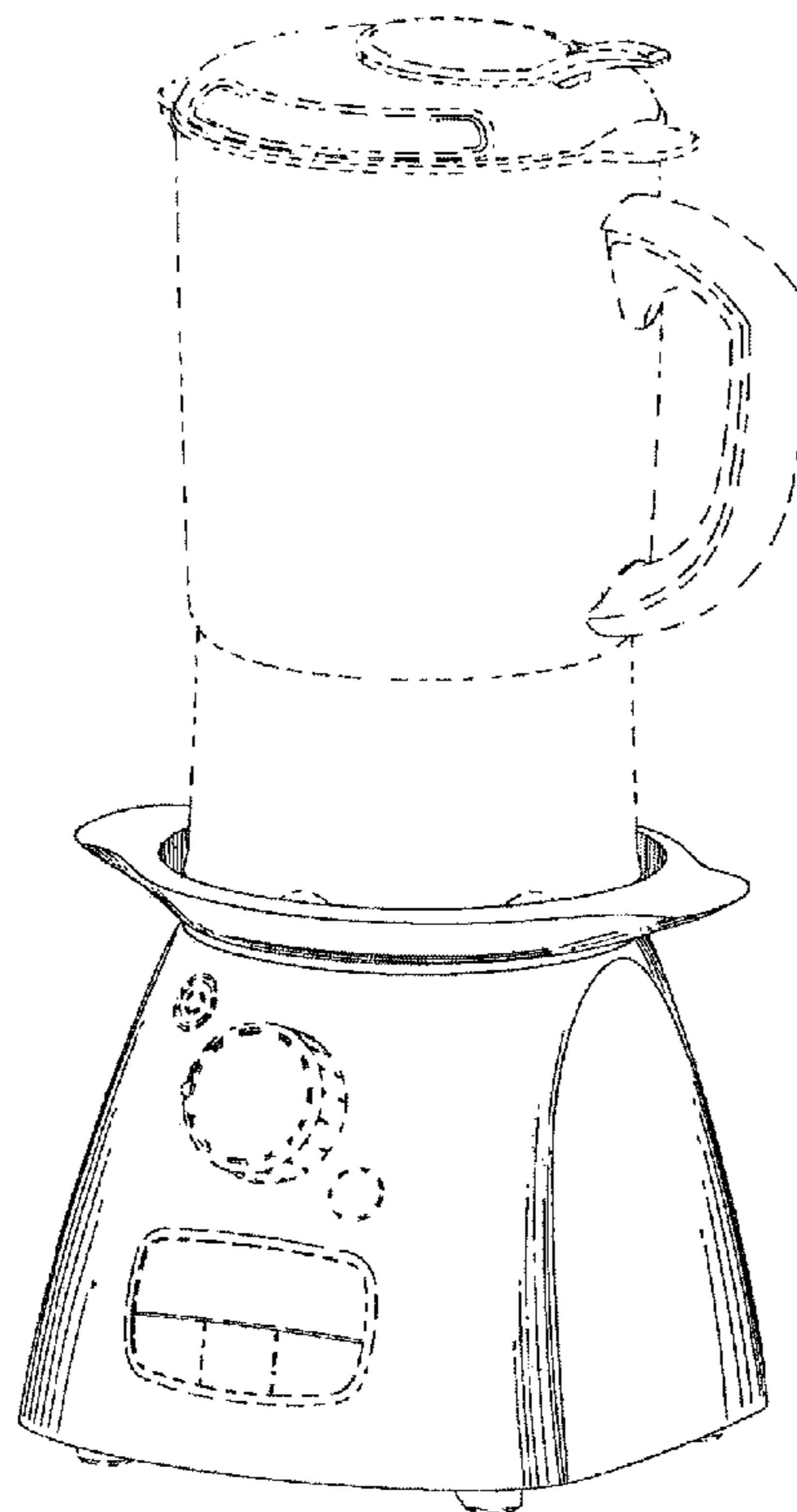


FIG.1

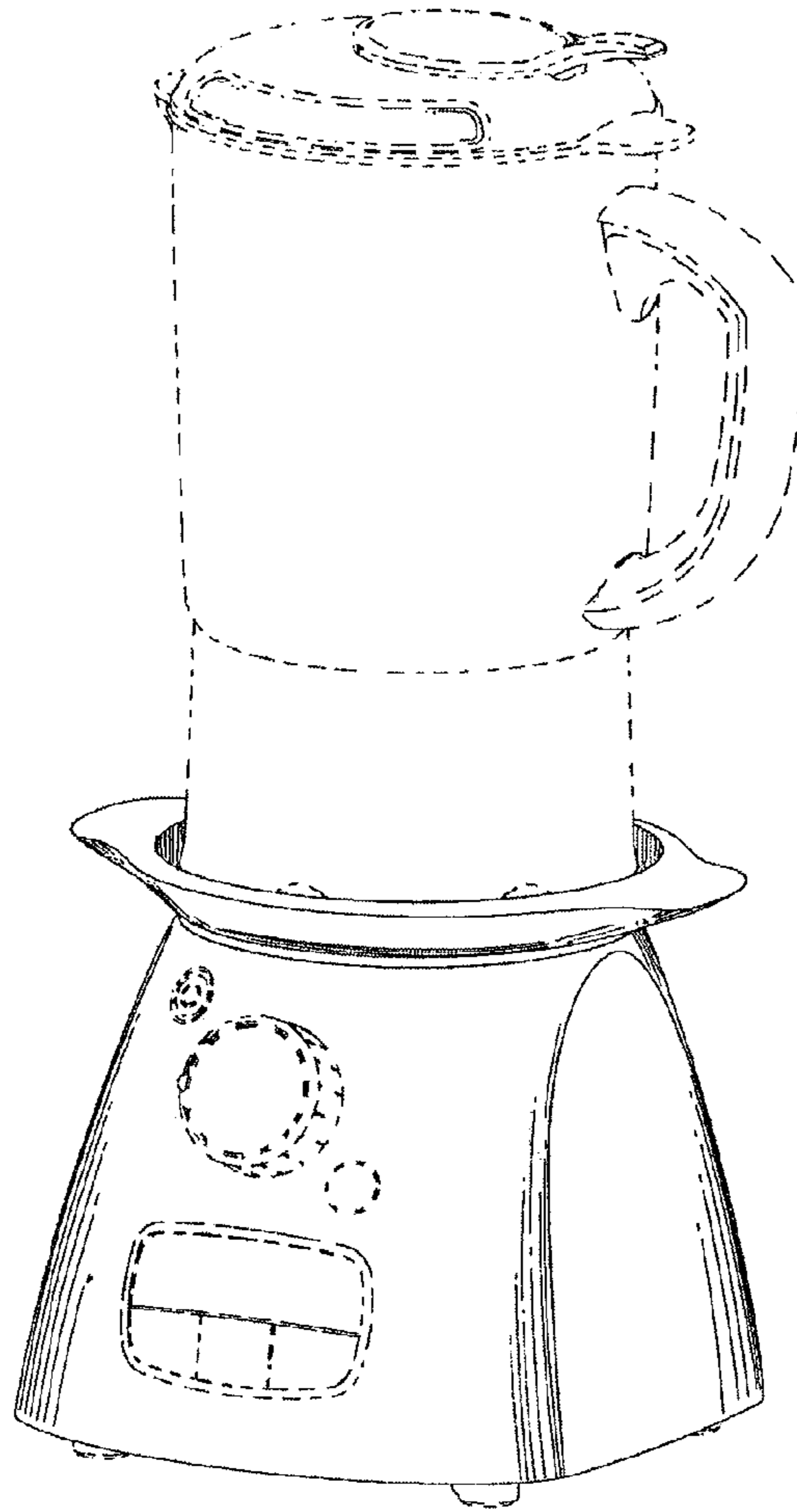


FIG.6

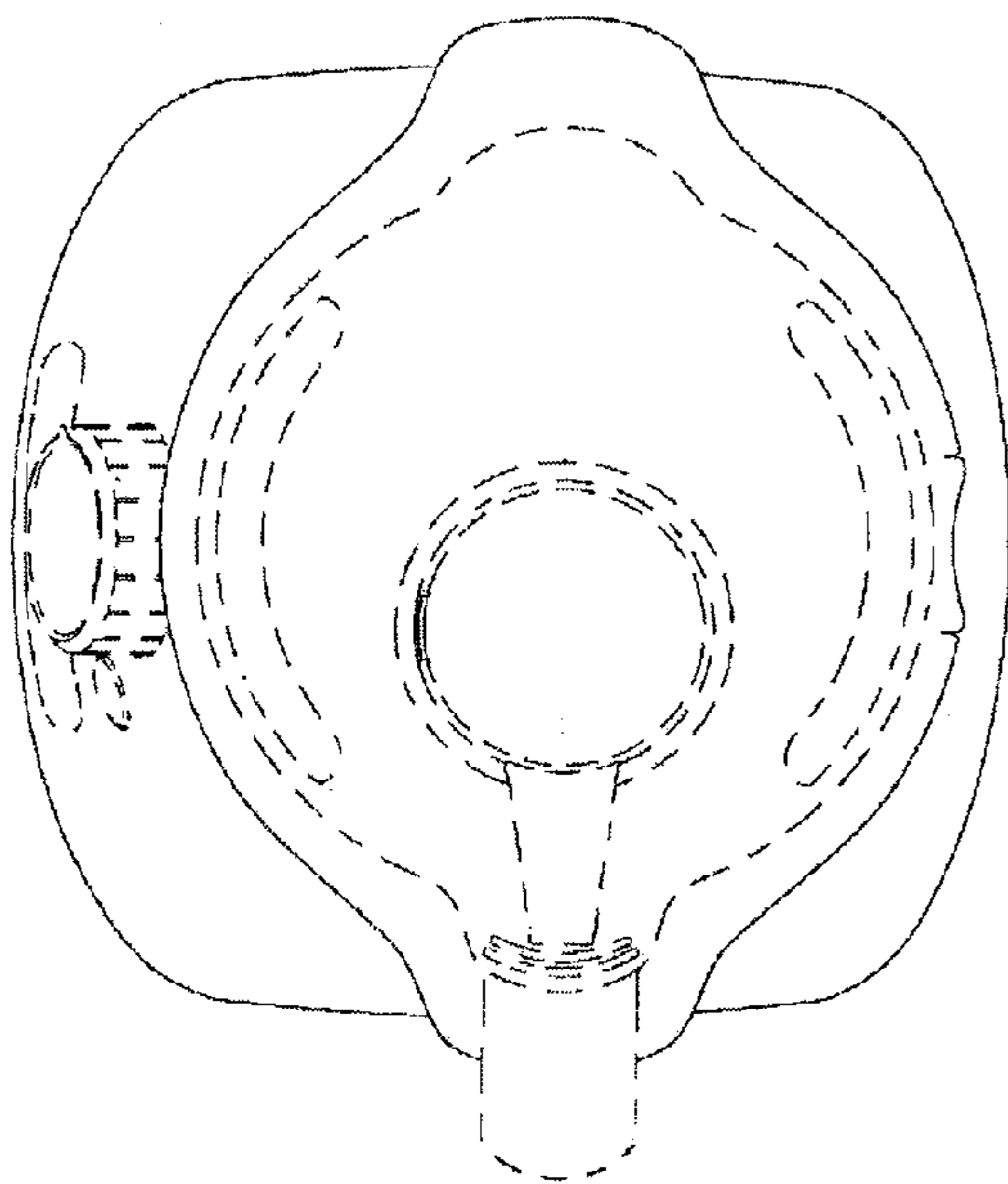


FIG.7

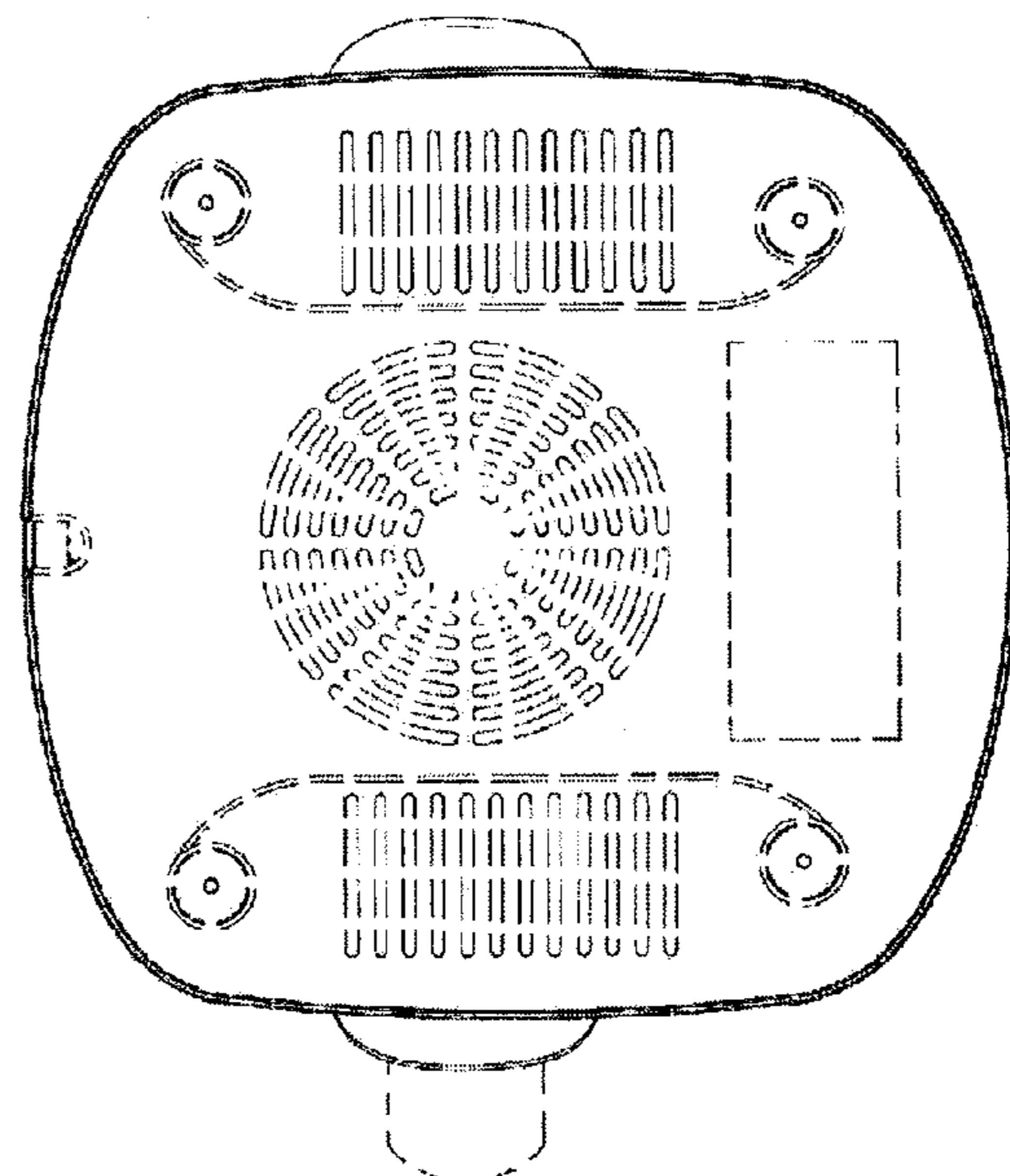


FIG.2

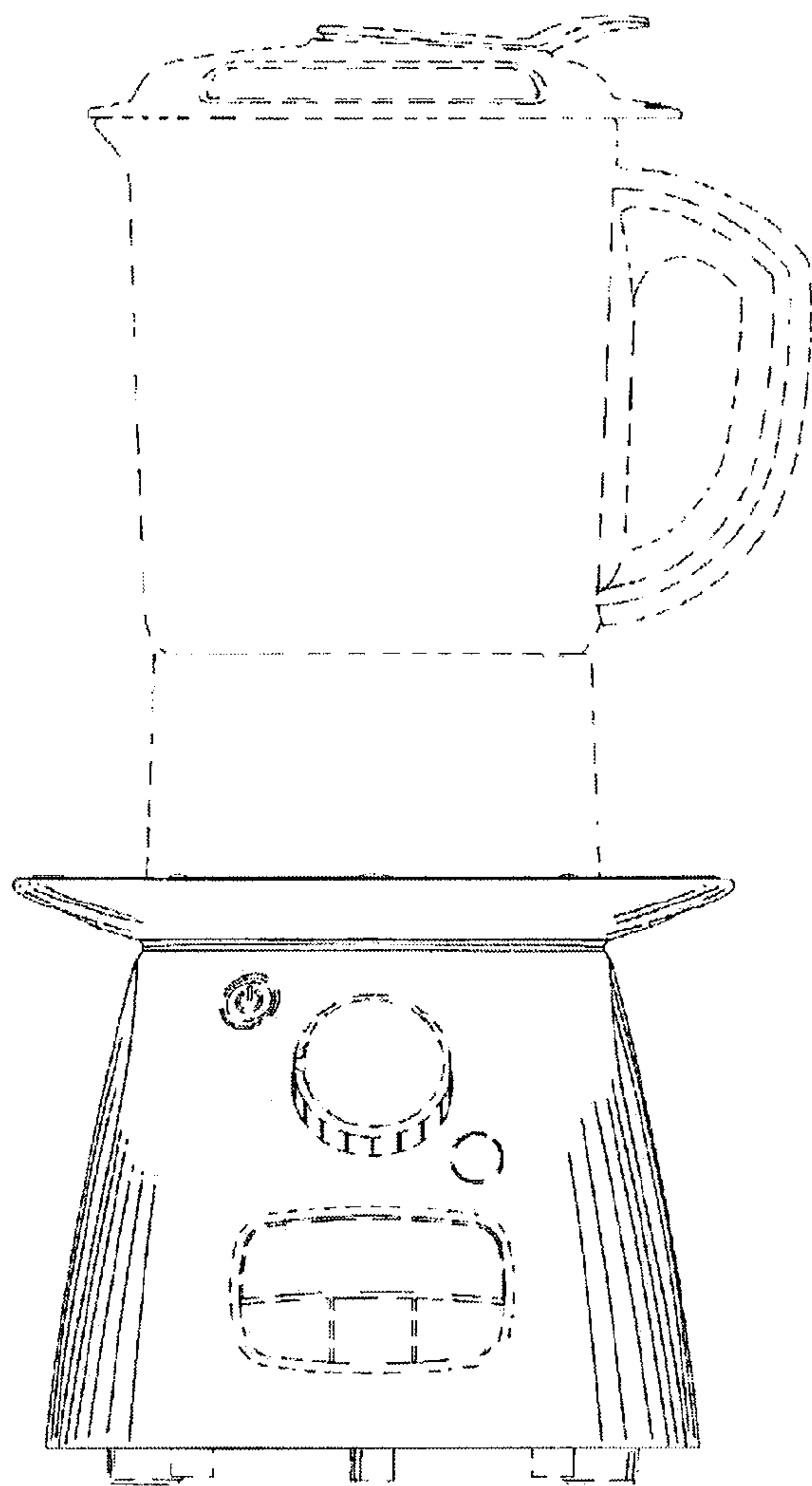


FIG.3

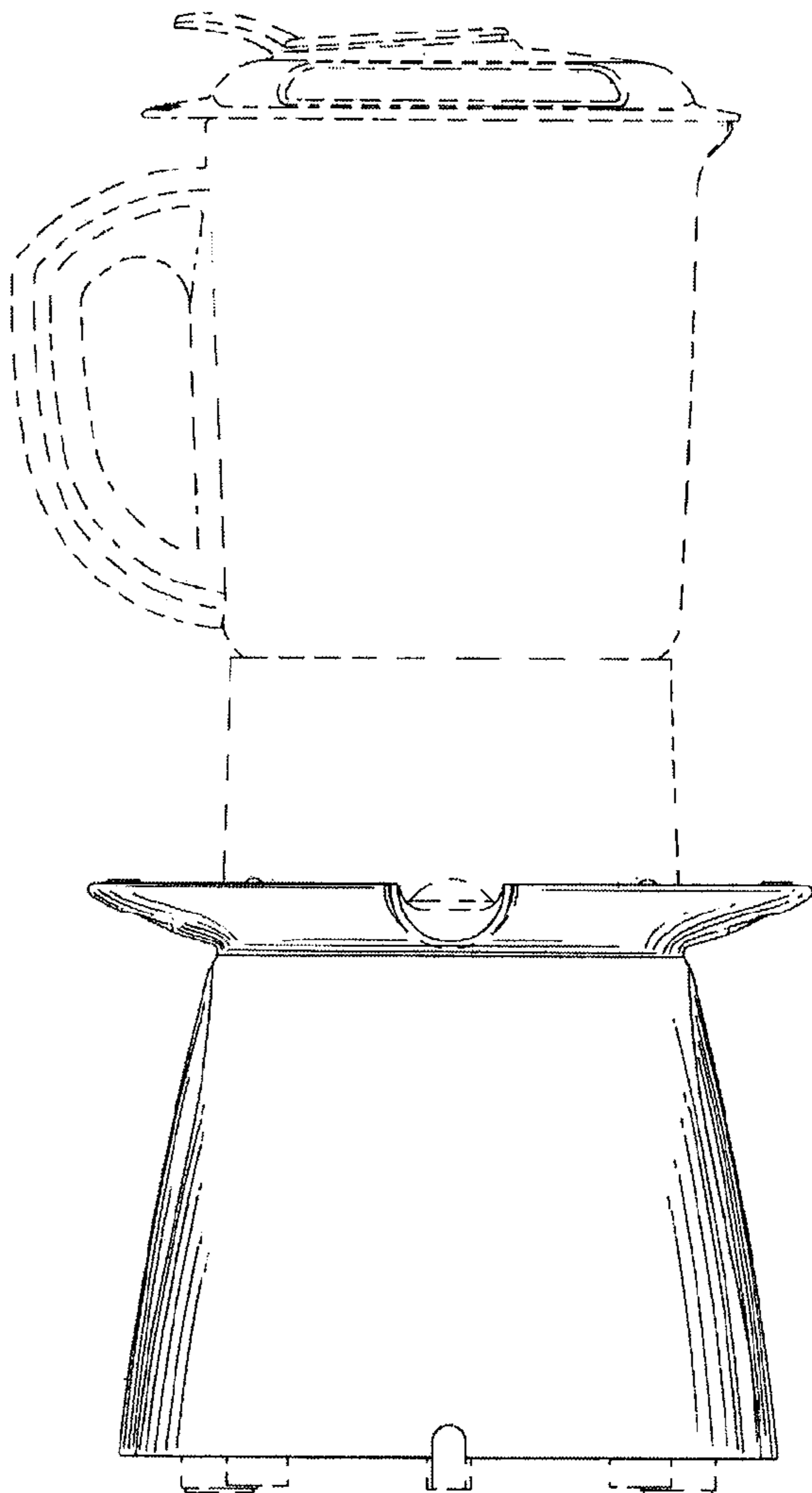


FIG.4

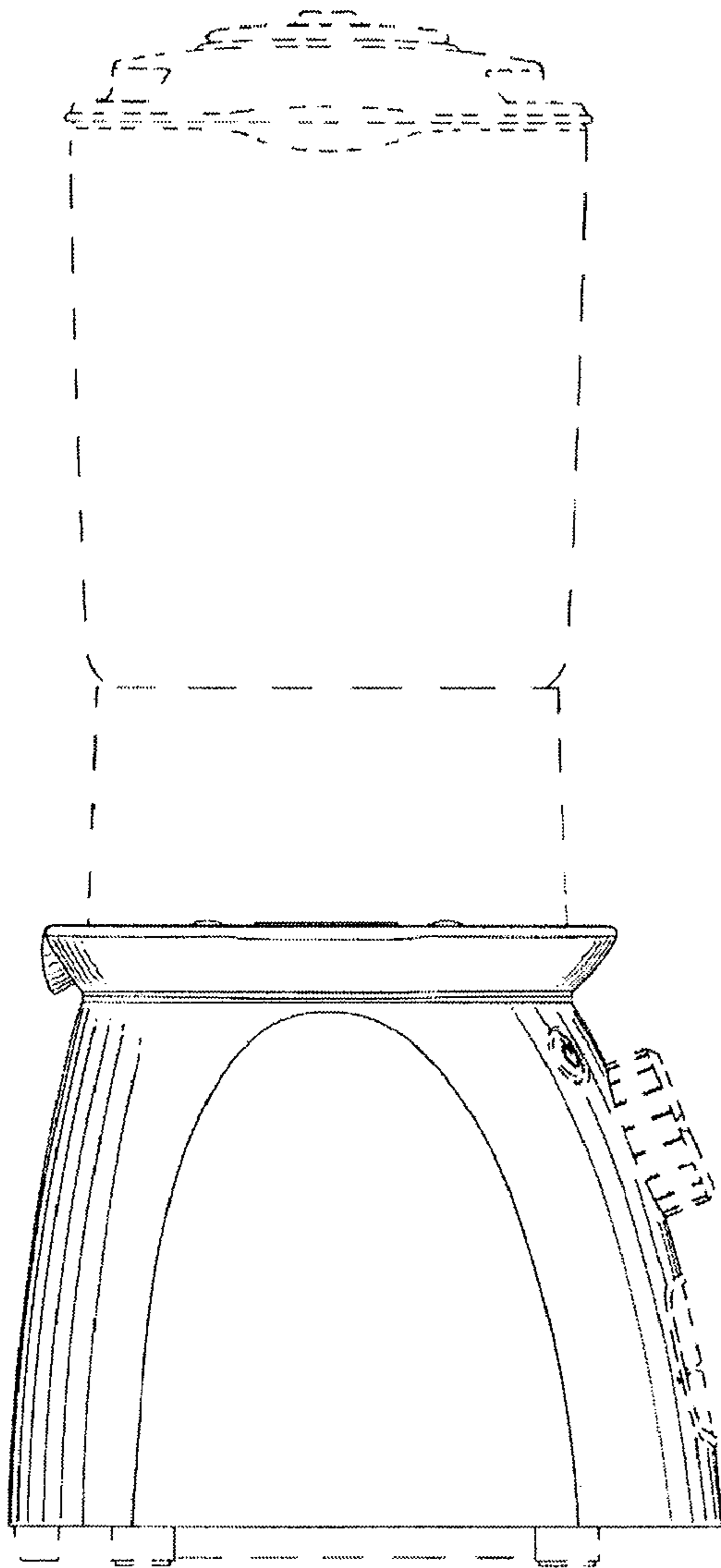


FIG.5

