



US00D593791S

(12) **United States Design Patent**  
**Joensson**

(10) **Patent No.:** **US D593,791 S**  
(45) **Date of Patent:** **\*\* Jun. 9, 2009**

(54) **TABLE GRILL DEVICE**

(75) Inventor: **Wolfgang Joensson**, Paris (FR)

(73) Assignee: **Domo Vision AG**, Oftringen (CH)

(\*\*) Term: **14 Years**

(21) Appl. No.: **29/306,418**

(22) Filed: **Apr. 9, 2008**

(30) **Foreign Application Priority Data**

Oct. 10, 2007 (CH) ..... 134447

(51) **LOC (9) Cl.** ..... **07-02**

(52) **U.S. Cl.** ..... **D7/367**

(58) **Field of Classification Search** ..... D7/362-367,  
D7/402, 407, 338; 99/422, 425, 445, 448,  
99/450, 443 R, 423; 219/452, 11, 386, 468.1,  
219/533, 429, 443.1, 450.1, 520

See application file for complete search history.

(56) **References Cited**

**U.S. PATENT DOCUMENTS**

D286,494 S *	11/1986	Lastuck	.....	D7/363
5,884,555 A *	3/1999	Chang	.....	99/425
D429,946 S *	8/2000	Lee	.....	D7/362
D431,152 S *	9/2000	Lee	.....	D7/362
D436,796 S *	1/2001	Kalina et al.	.....	D7/363
D437,183 S *	2/2001	Wong et al.	.....	D7/362
D441,250 S *	5/2001	Choi	.....	D7/362
D444,667 S *	7/2001	Wong et al.	.....	D7/362
6,262,399 B1 *	7/2001	Lau et al.	.....	219/450.1
D452,630 S *	1/2002	Choi	.....	D7/362
D497,769 S *	11/2004	Steinberg et al.	.....	D7/363
D505,044 S *	5/2005	Hei	.....	D7/363
D523,688 S *	6/2006	Karam	.....	D7/365

\* cited by examiner

*Primary Examiner*—Ruth McInroy

(74) *Attorney, Agent, or Firm*—Rankin, Hill & Clark LLP

(57) **CLAIM**

We claim the ornamental design for a table grill device, as shown and described.

**DESCRIPTION**

FIG. 1 is a perspective view of a first embodiment of a table grill device embodying our design;

FIG. 2 is a top view of the table grill device shown in FIG. 1;

FIG. 3 is a bottom view of the table grill device shown in FIG. 1;

FIG. 4 is a side view of the table grill device shown in FIG. 1;

FIG. 5 is an opposite side view of the table grill device shown in FIG. 4;

FIG. 6 is a front view of the table grill device shown in FIG. 1;

FIG. 7 is a rear view of the table grill device shown in FIG. 1;

FIG. 8 is a perspective view of a second embodiment of a table grill device embodying our design;

FIG. 9 is a top view of the table grill device shown in FIG. 8;

FIG. 10 is a bottom view of the table grill device shown in FIG. 8;

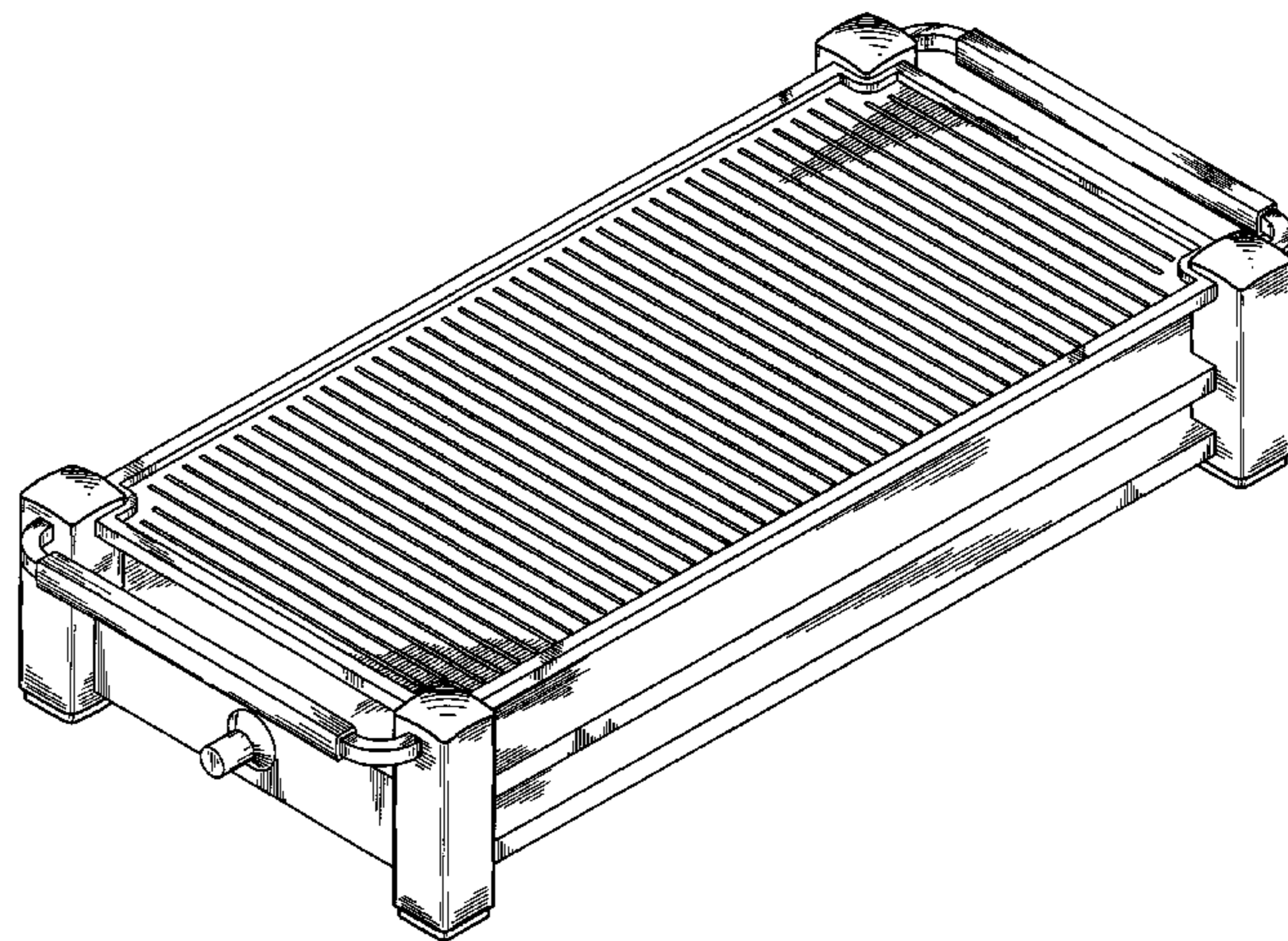
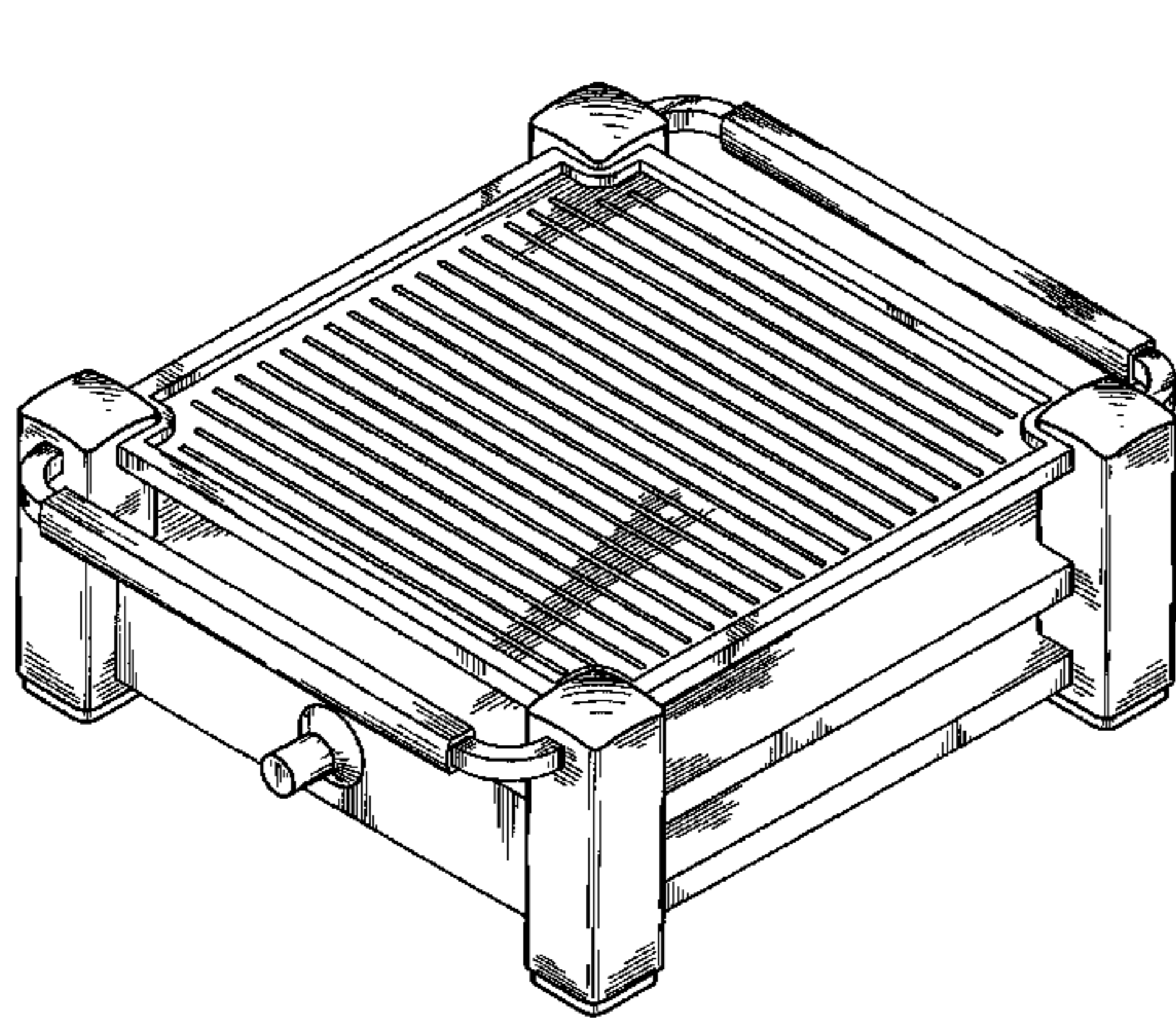
FIG. 11 is a side view of the table grill device shown in FIG. 8;

FIG. 12 is an opposite side view of the table grill device shown in FIG. 11;

FIG. 13 is a front view of the table grill device shown in FIG. 8; and,

FIG. 14 is a rear view of the table grill device shown in FIG. 8.

**1 Claim, 6 Drawing Sheets**



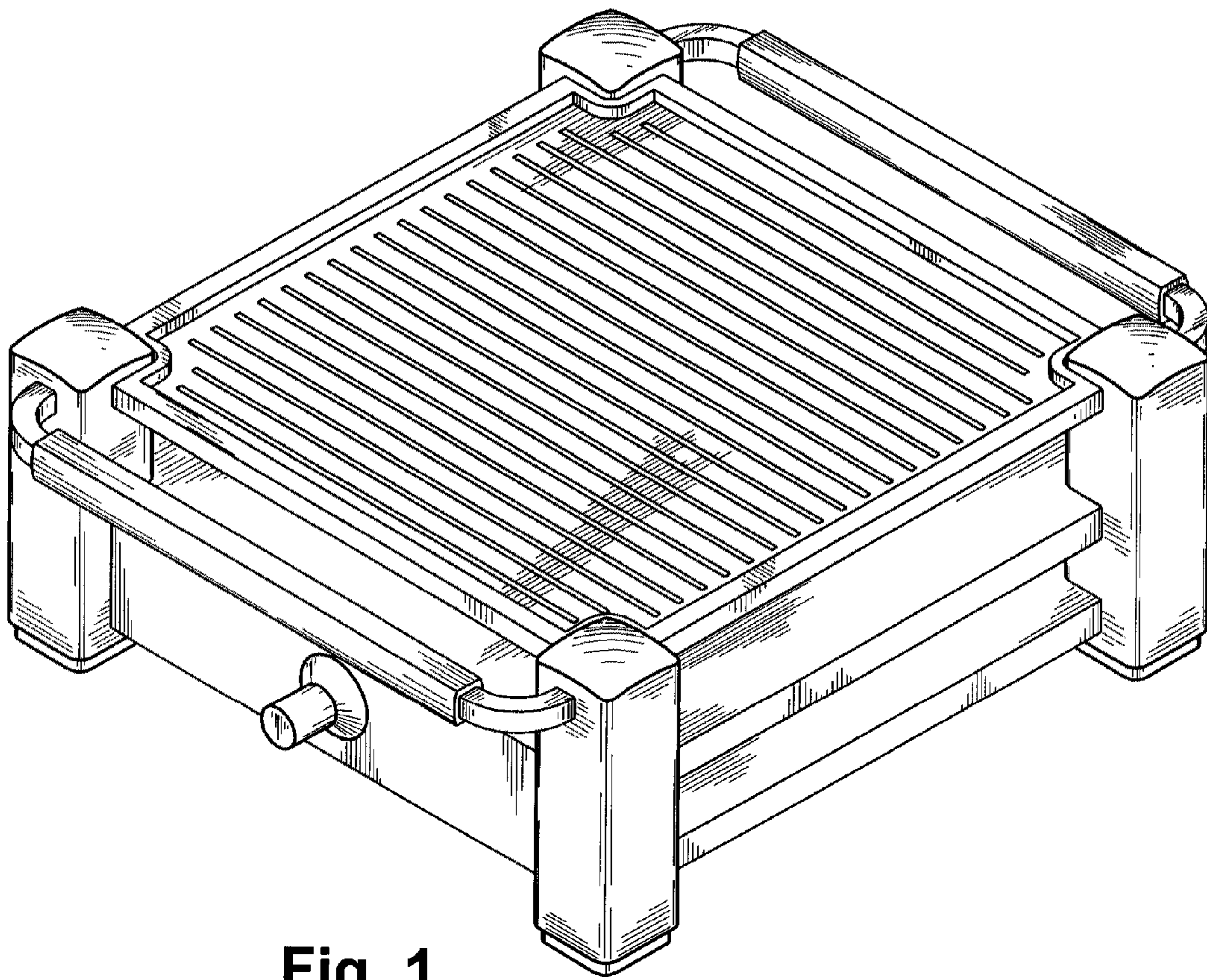


Fig. 1

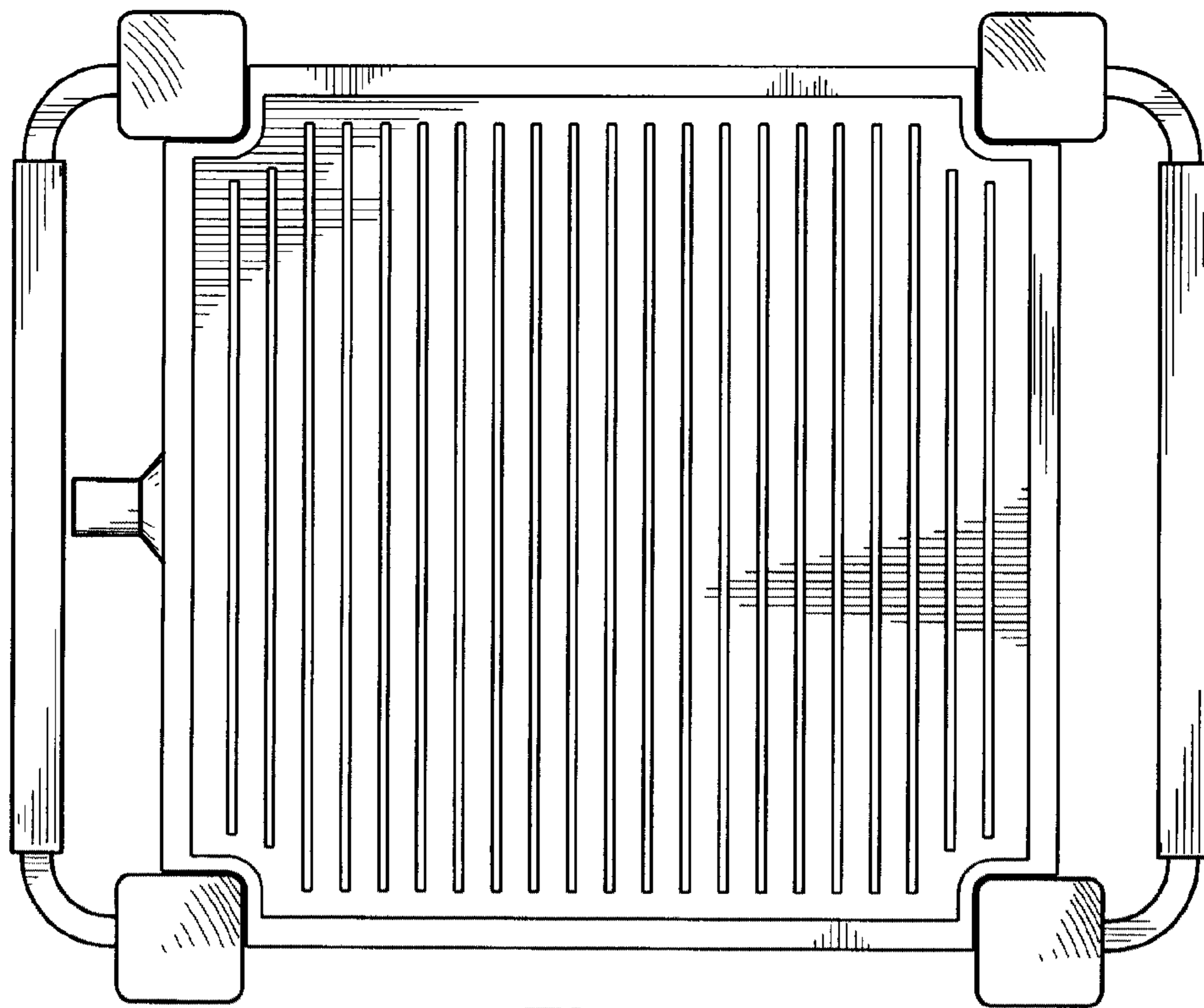


Fig. 2

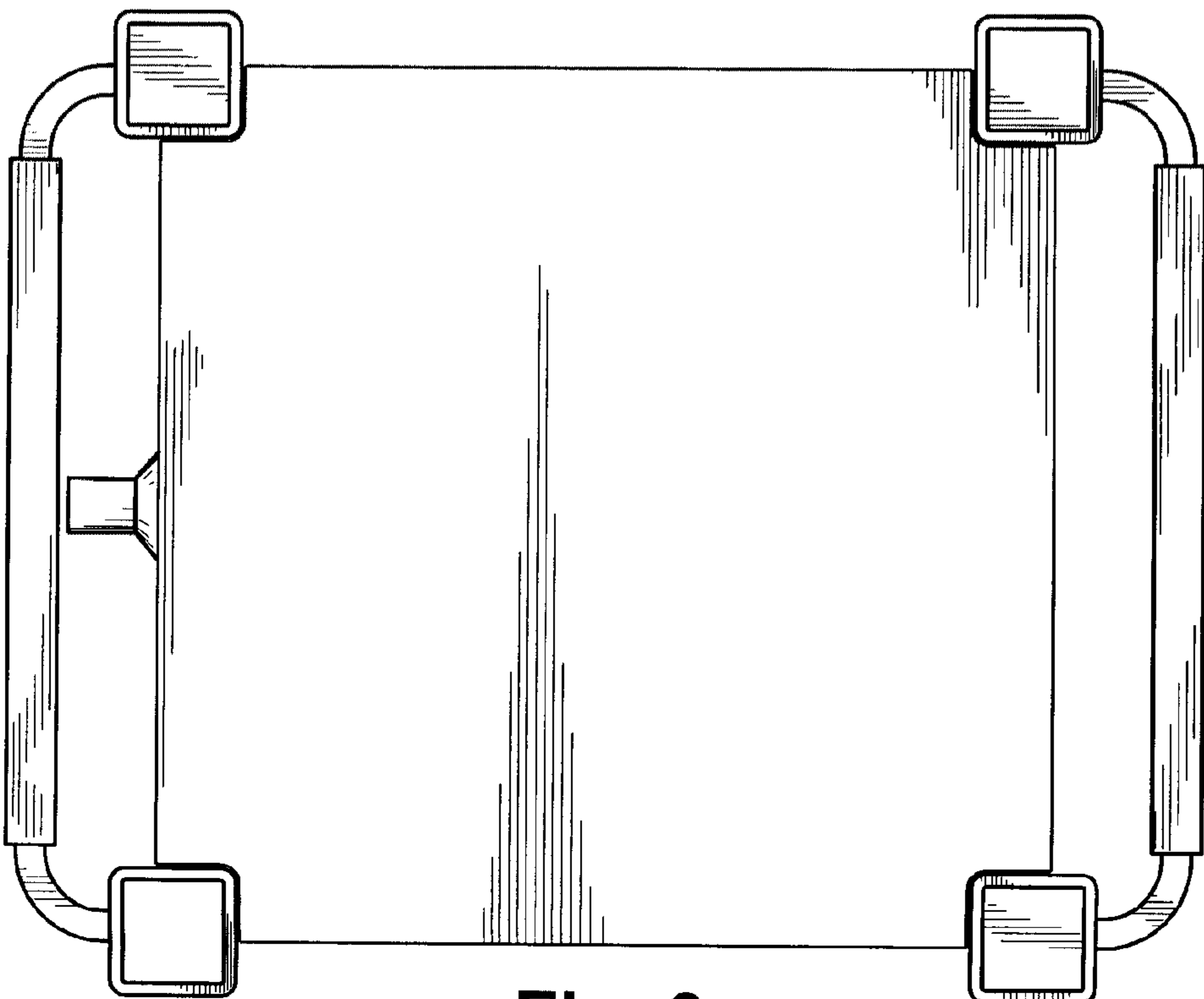


Fig. 3

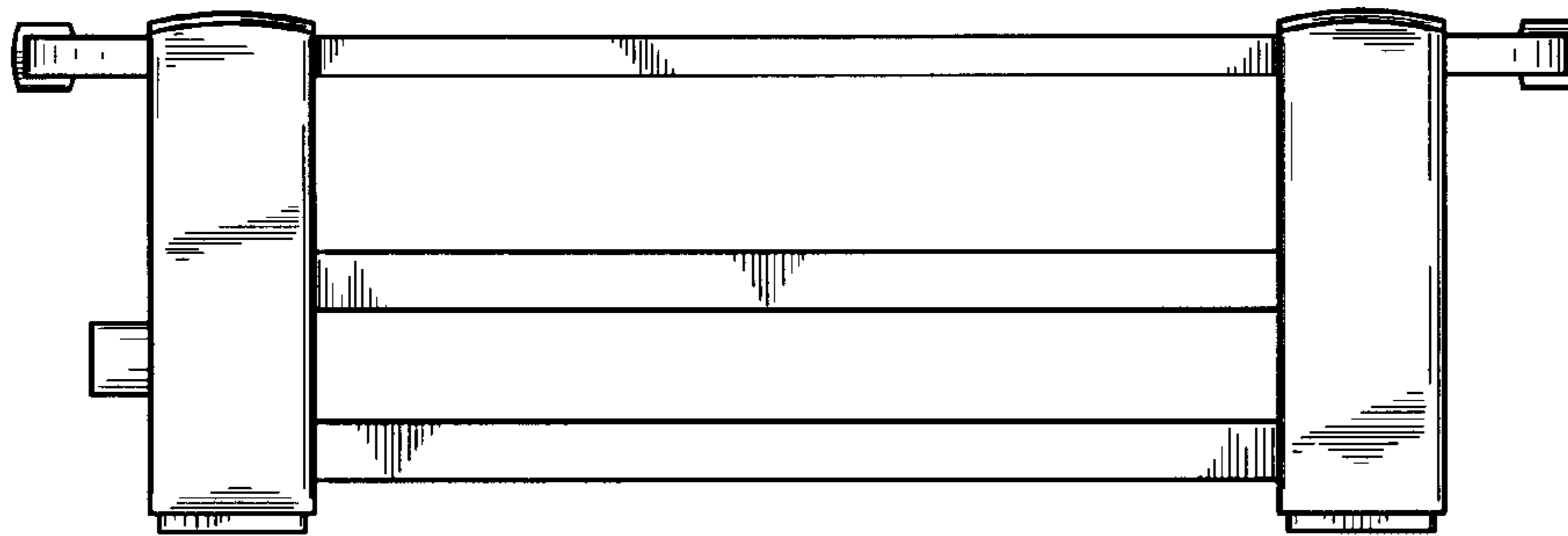


Fig. 4

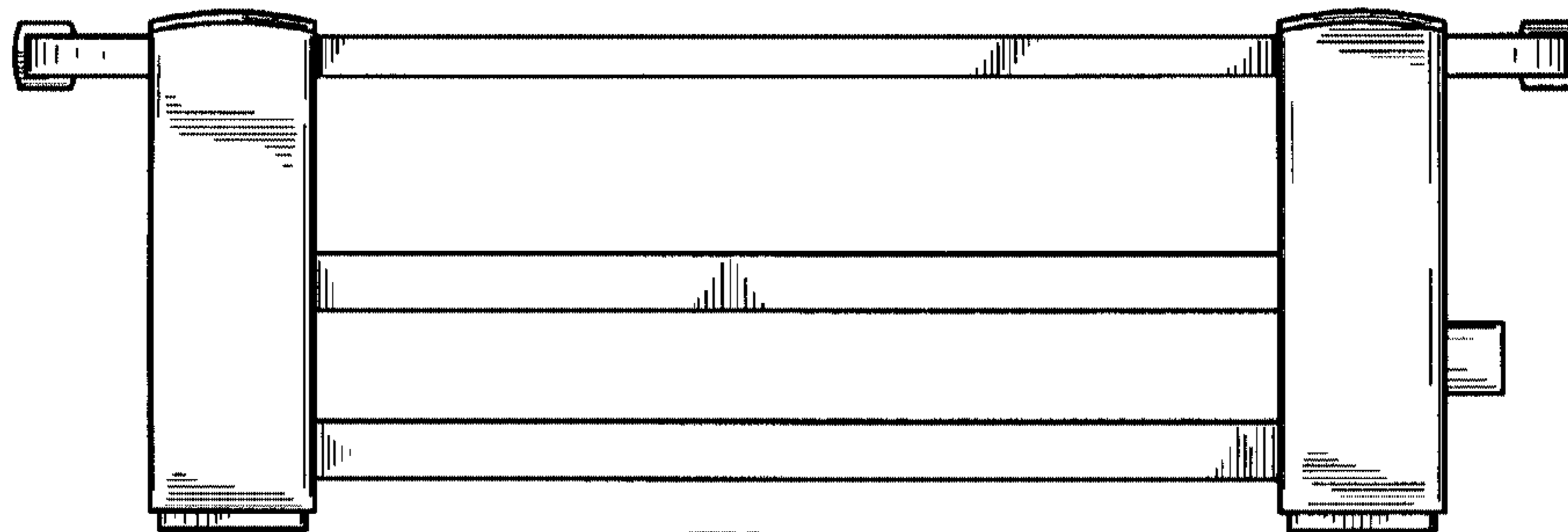


Fig. 5

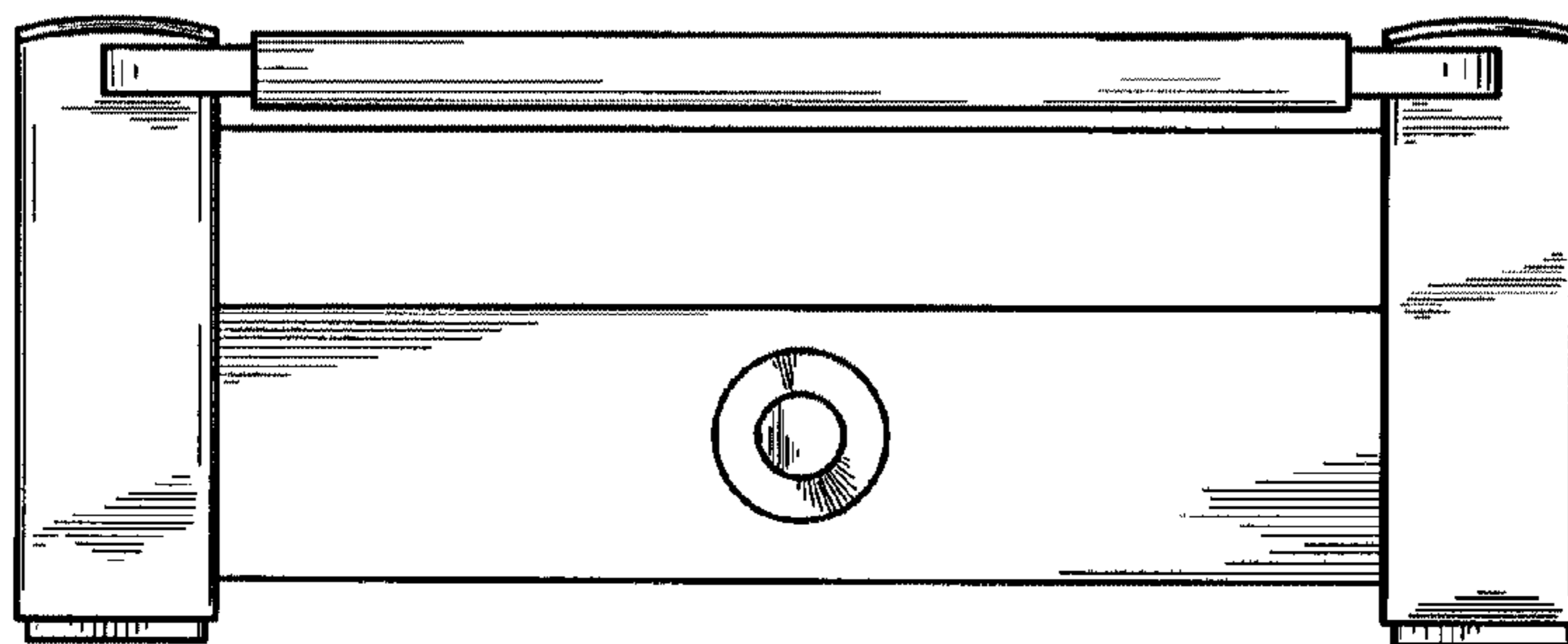


Fig. 6

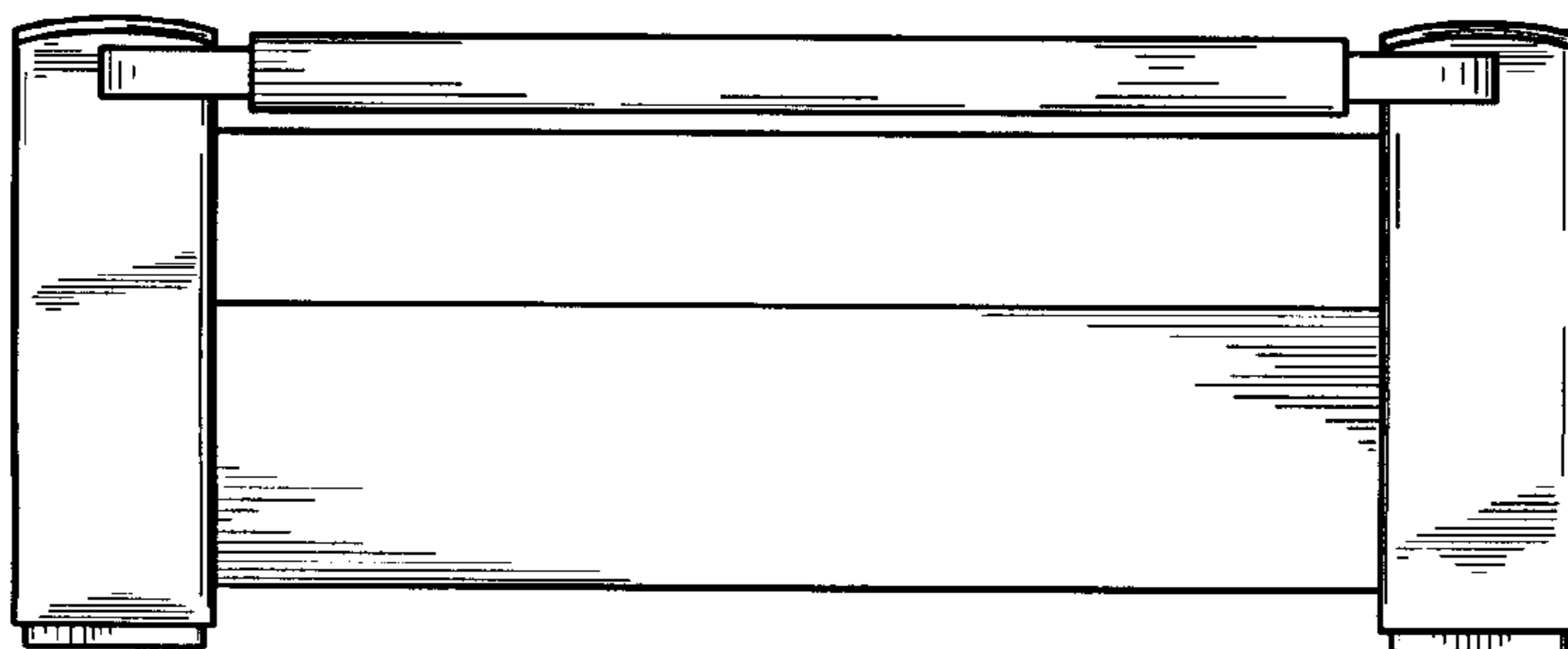


Fig. 7

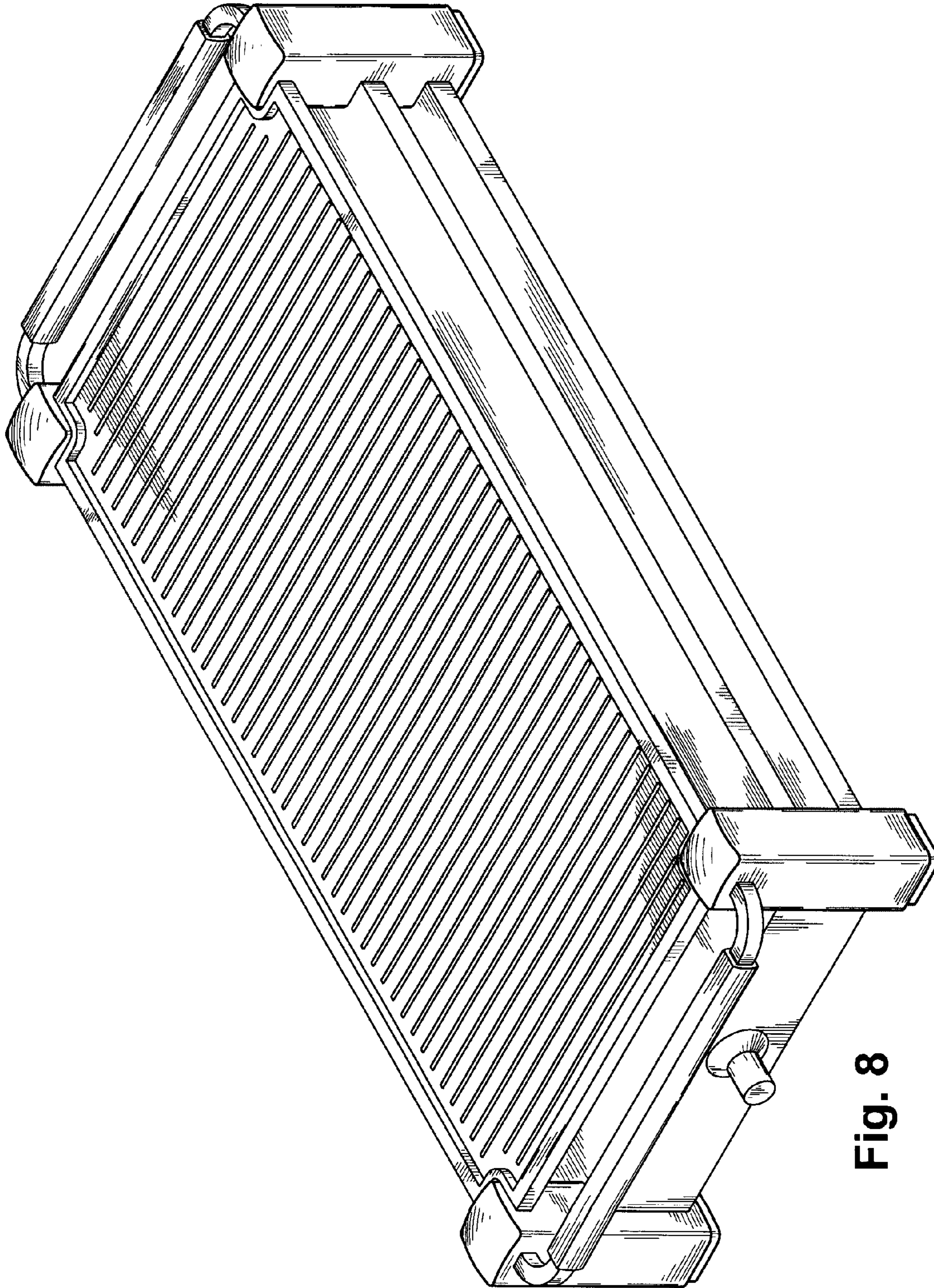


Fig. 8

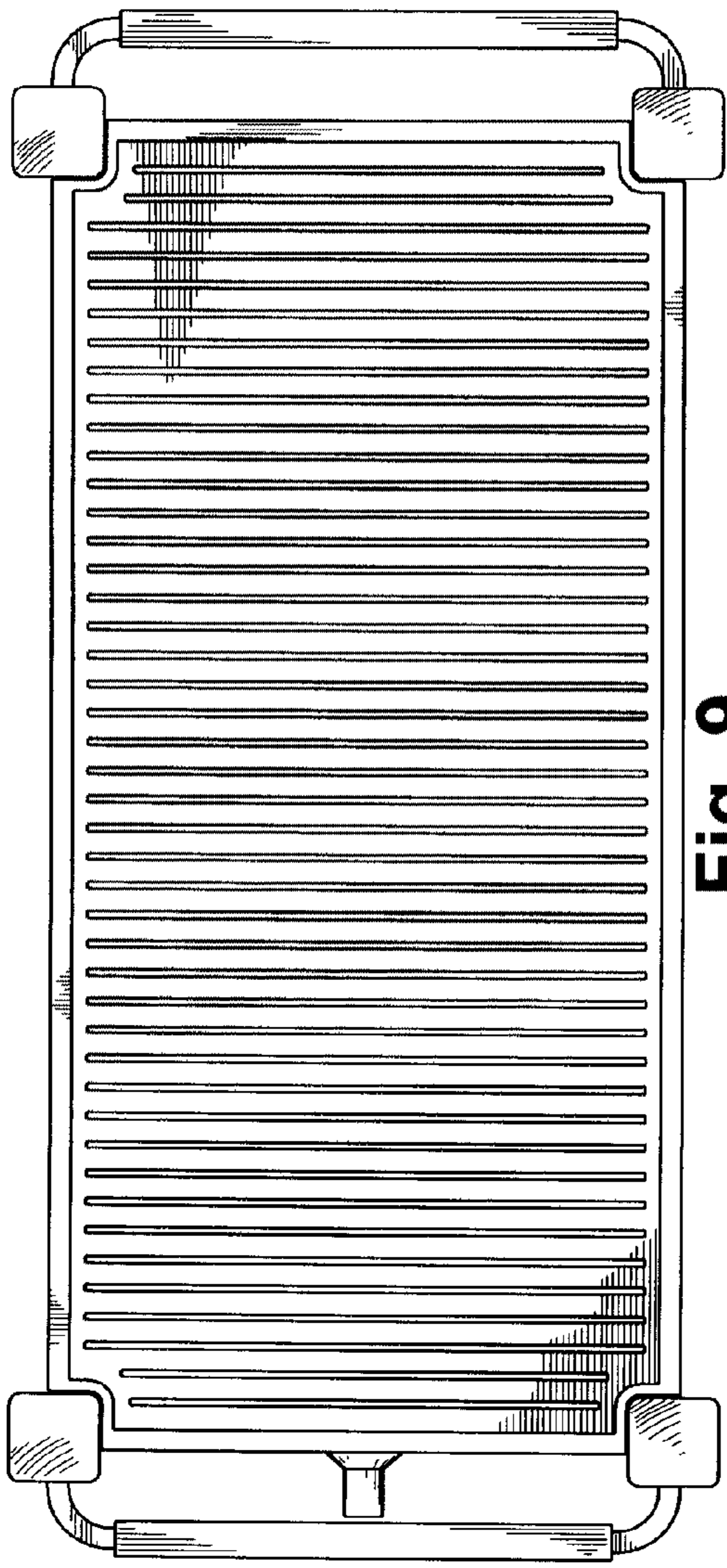


Fig. 9

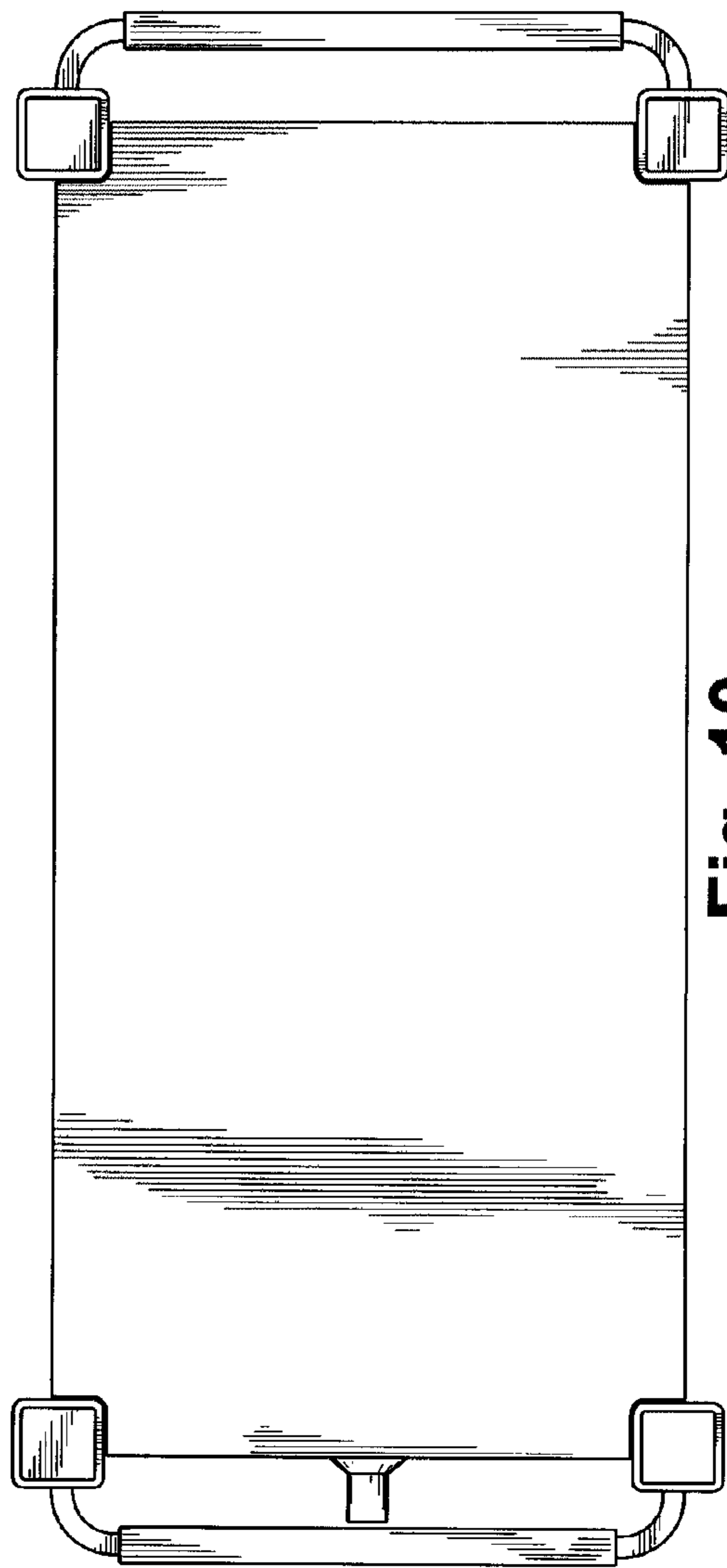


Fig. 10

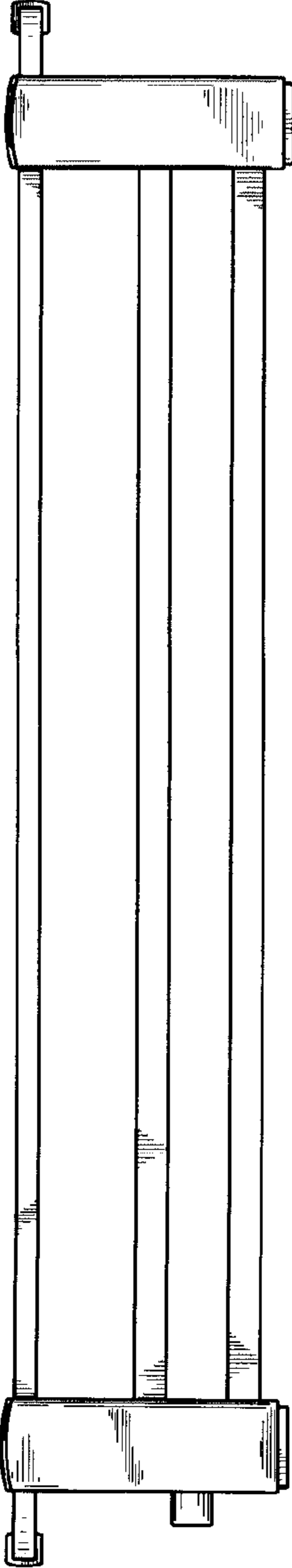


Fig. 11

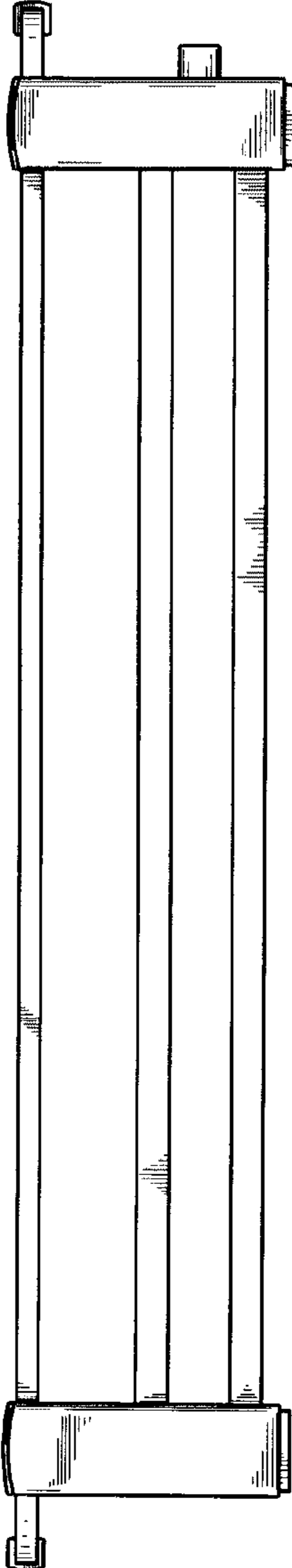


Fig. 12

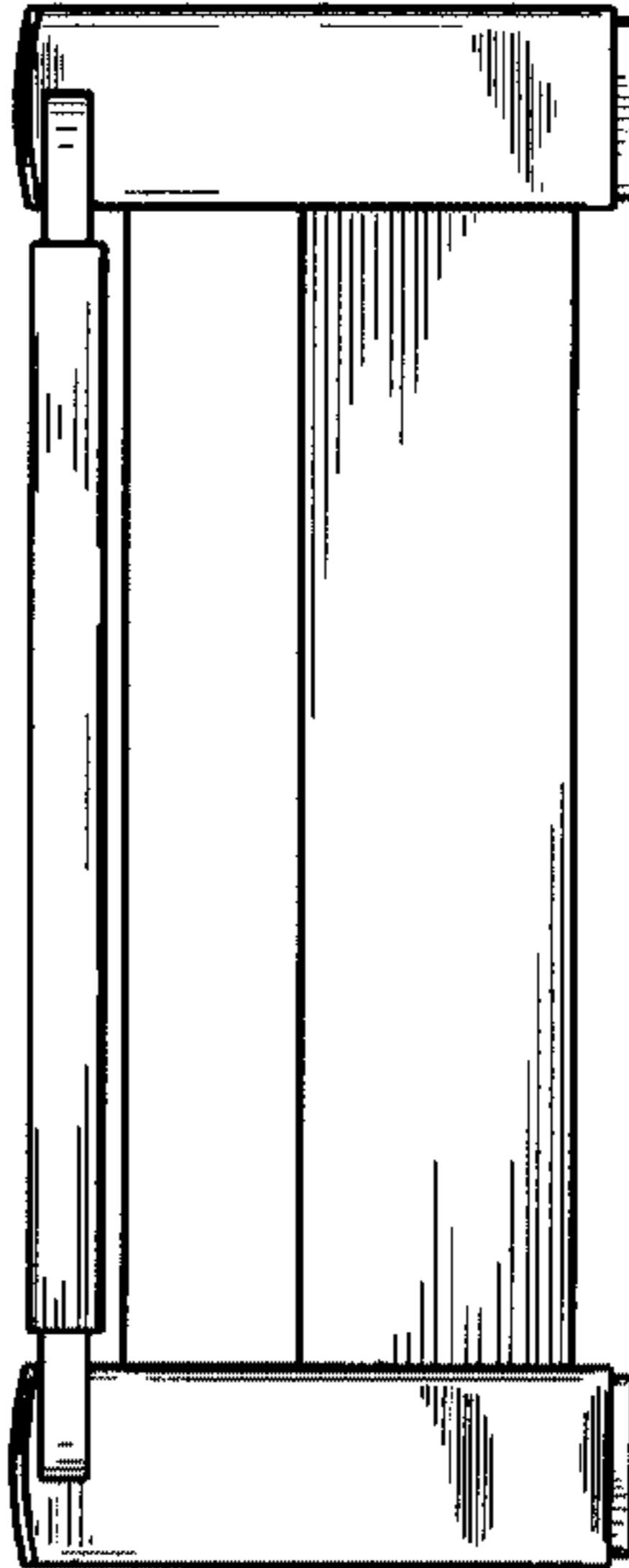


Fig. 14

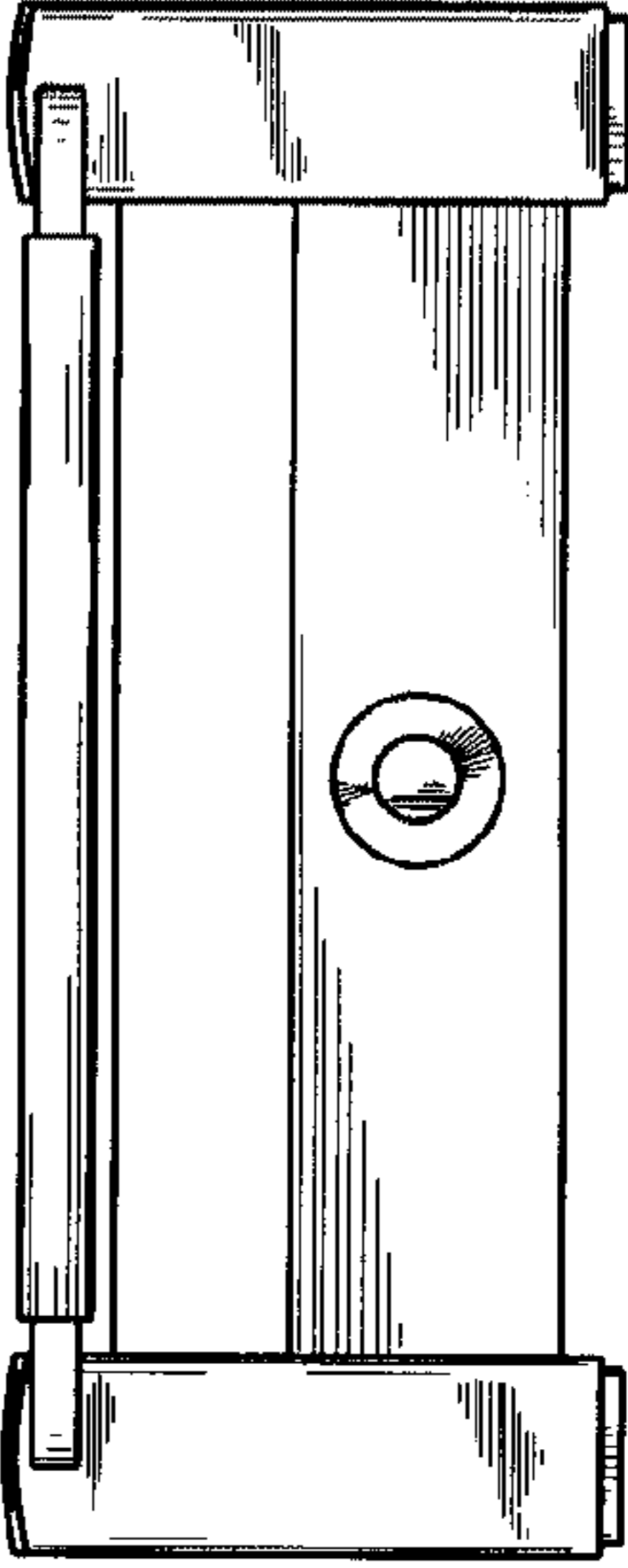


Fig. 13