



US00D593788S

(12) **United States Design Patent**
Thompson

(10) **Patent No.:** **US D593,788 S**
(45) **Date of Patent:** **** Jun. 9, 2009**

(54) **ARTICLE OF BEDDING**
(75) Inventor: **Mark Anthony Thompson**, Warrington
(GB)

(73) Assignee: **Finocard International Limited**,
Cheshire (GB)

(**) Term: **14 Years**

(21) Appl. No.: **29/304,390**

(22) Filed: **Feb. 29, 2008**

(51) **LOC (9) Cl.** **06-09**

(52) **U.S. Cl.** **D6/602; D6/603**

(58) **Field of Classification Search** 5/482,
5/485, 488-491, 495, 497-502; D6/595,
D6/596, 601-603, 605

See application file for complete search history.

(56) **References Cited**

U.S. PATENT DOCUMENTS

D209,118 S * 10/1967 Grube D24/206
4,413,368 A * 11/1983 Schuetze 5/494
5,118,553 A * 6/1992 Boisson 428/99
D338,796 S * 8/1993 Staudinger D6/596

D382,755 S * 8/1997 Knopfler D6/596
6,088,852 A * 7/2000 Quandt 5/482
D571,594 S * 6/2008 Klepy et al. D6/595
2004/0128764 A1 * 7/2004 McGrath et al. 5/499
2008/0178386 A1 * 7/2008 Thompson 5/485

* cited by examiner

Primary Examiner—Janice E Seeger

(74) *Attorney, Agent, or Firm*—Gauthier & Connors LLP

(57) **CLAIM**

The ornamental design for an article of bedding, as shown and described.

DESCRIPTION

FIG. 1 is perspective view of an article of bedding showing my new design;

FIG. 2 is a bottom perspective view thereof;

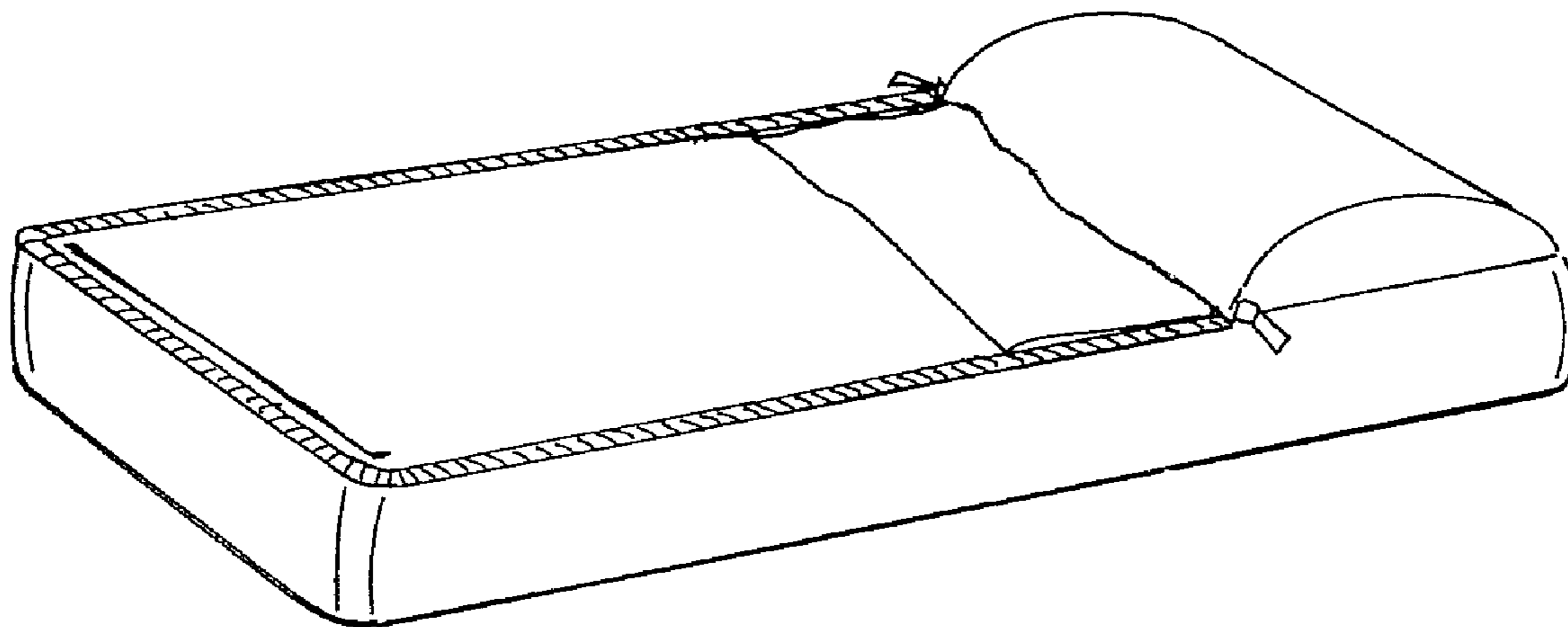
FIG. 3 is a perspective view of the design when in use;

FIG. 4 is a perspective view of an alternative article of bedding;

FIG. 5 is a bottom perspective view of FIG. 4; and,

FIG. 6 is a perspective view of FIG. 4 when in use.

1 Claim, 2 Drawing Sheets



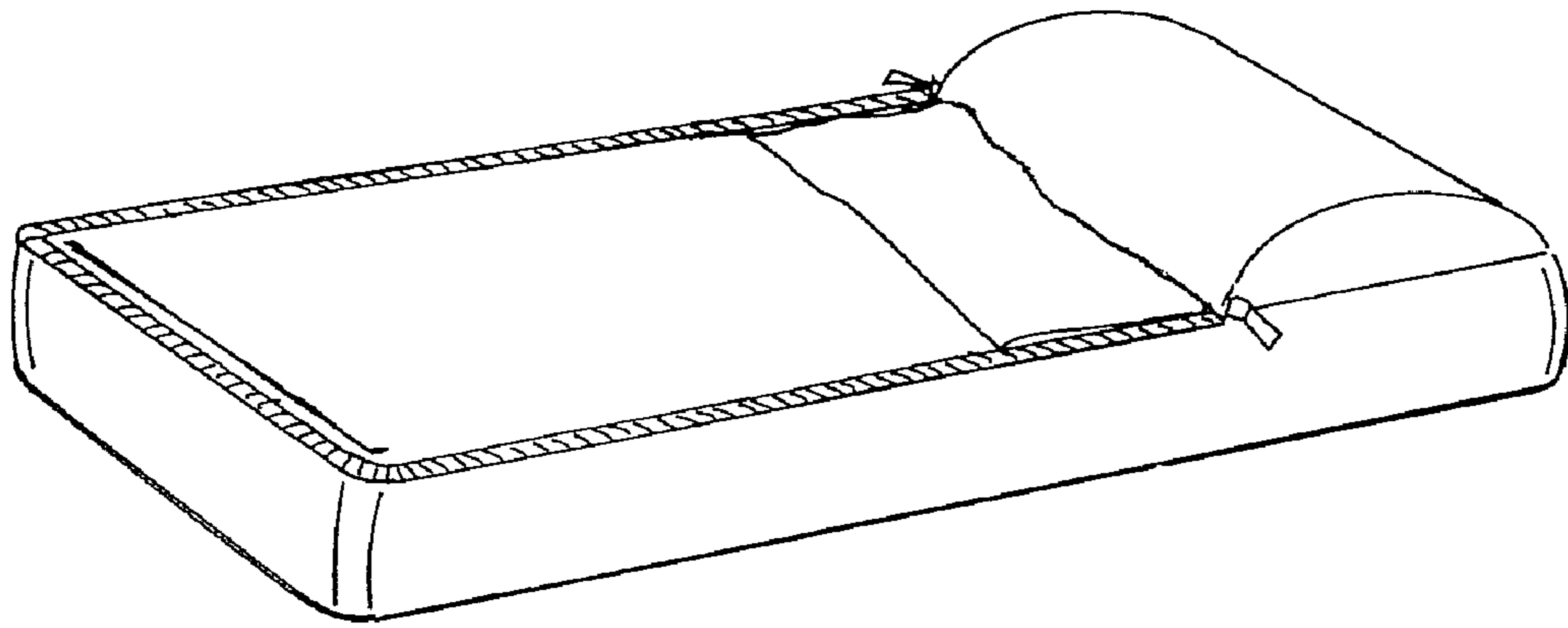


FIG. 1

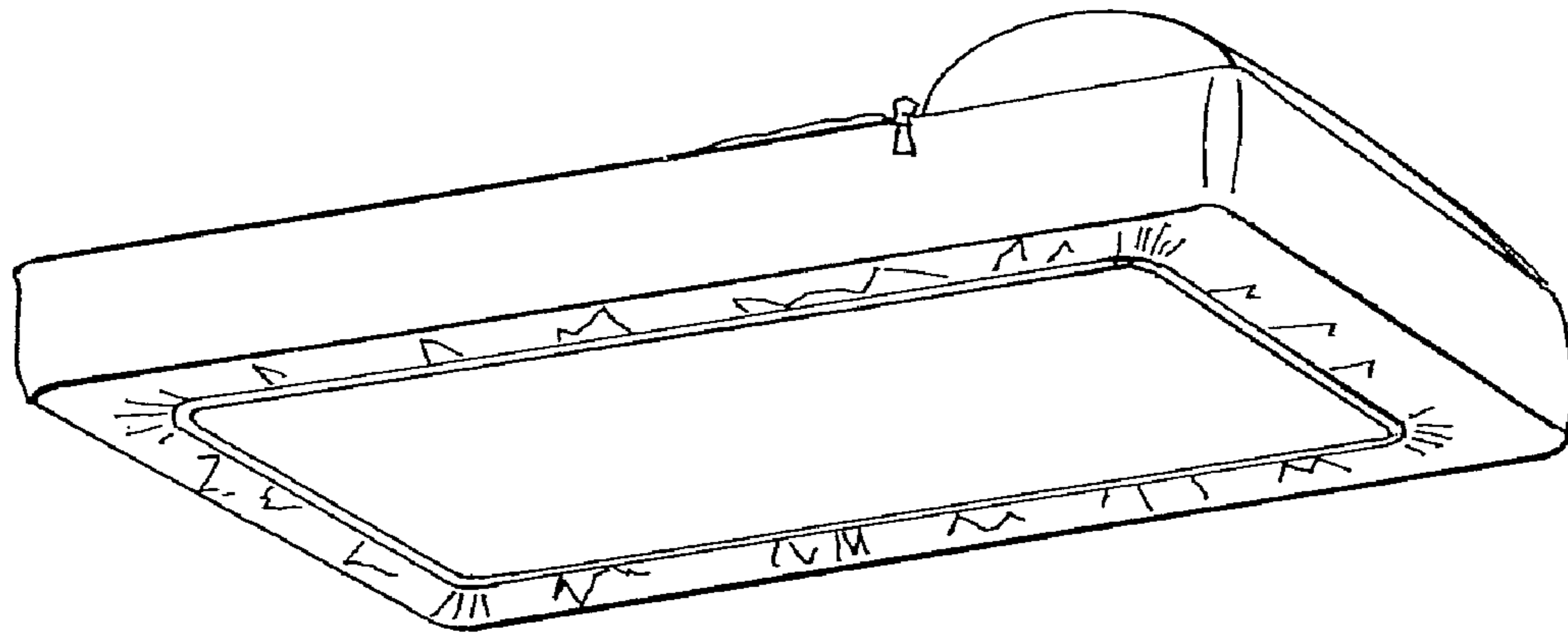


FIG. 2

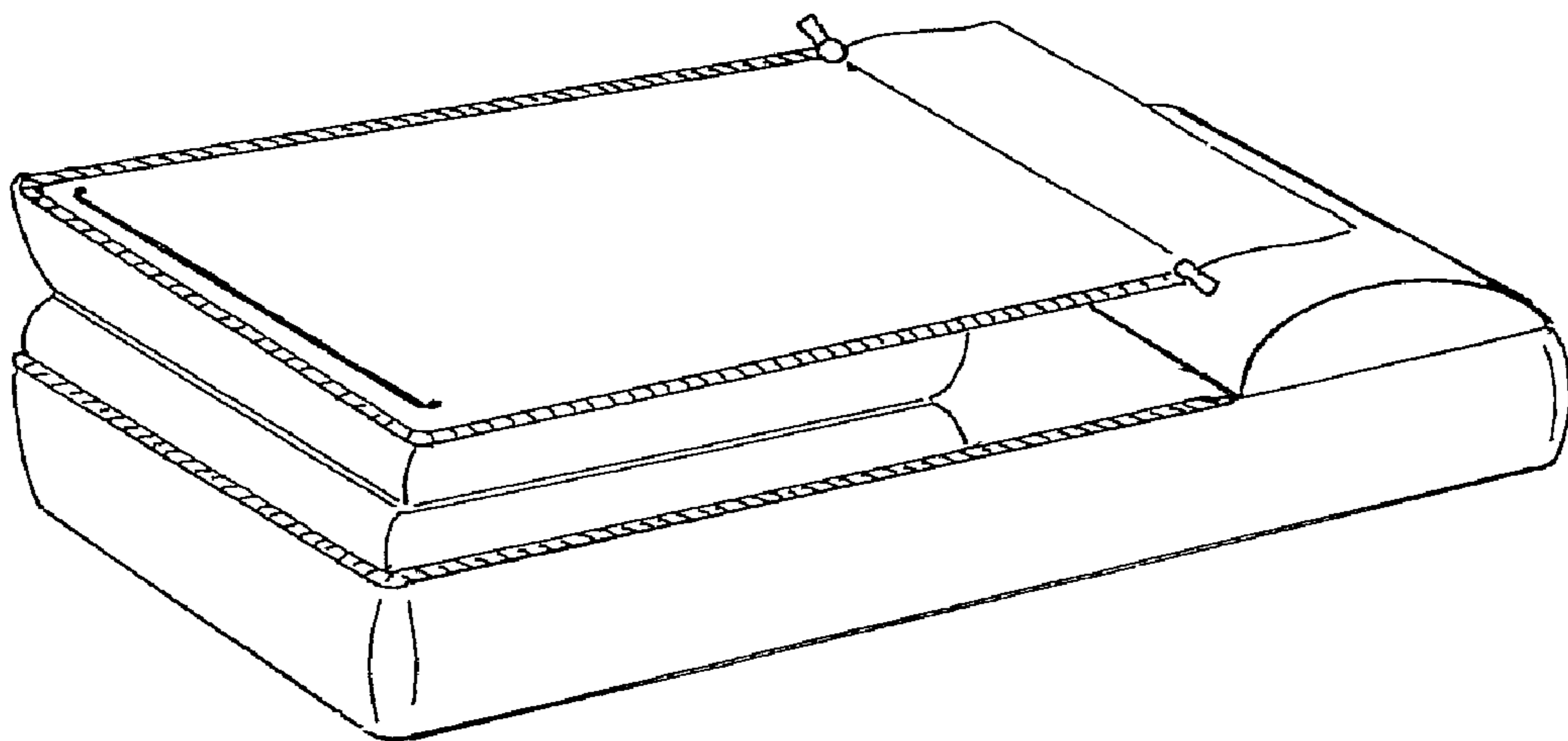


FIG. 3

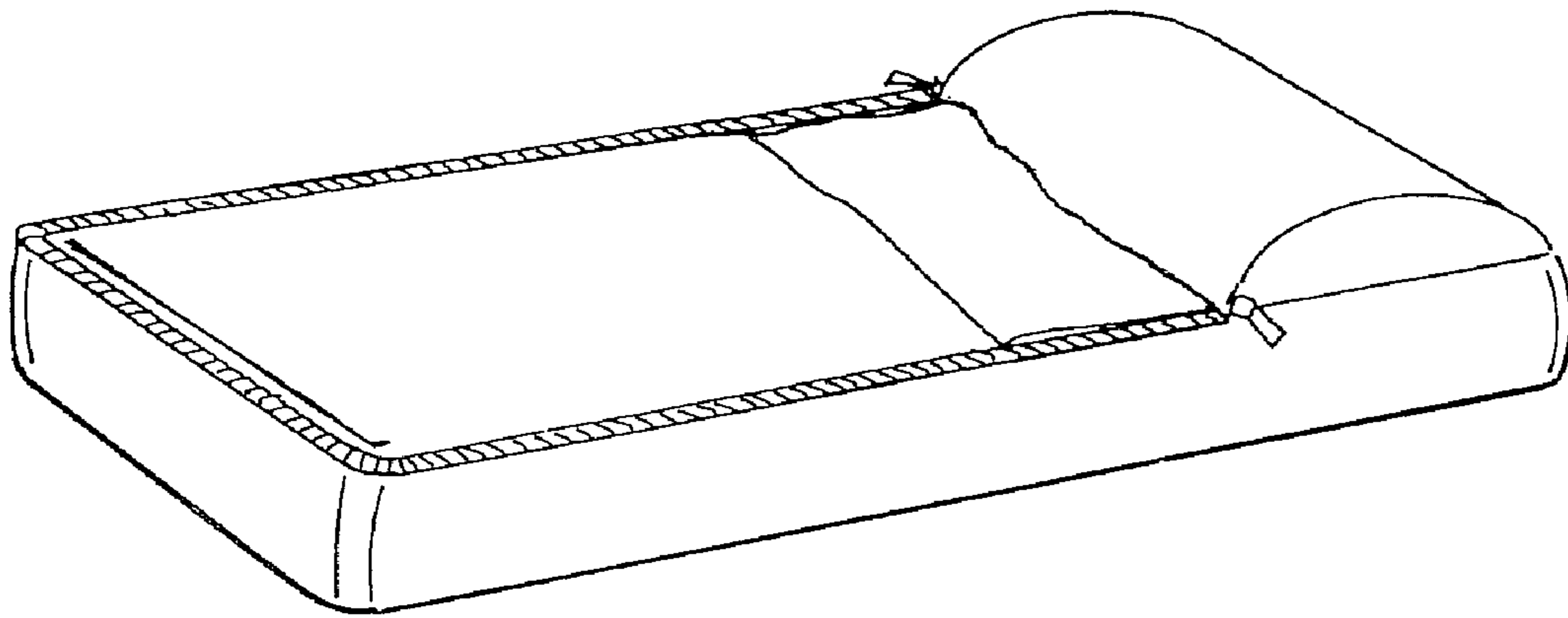


FIG. 4

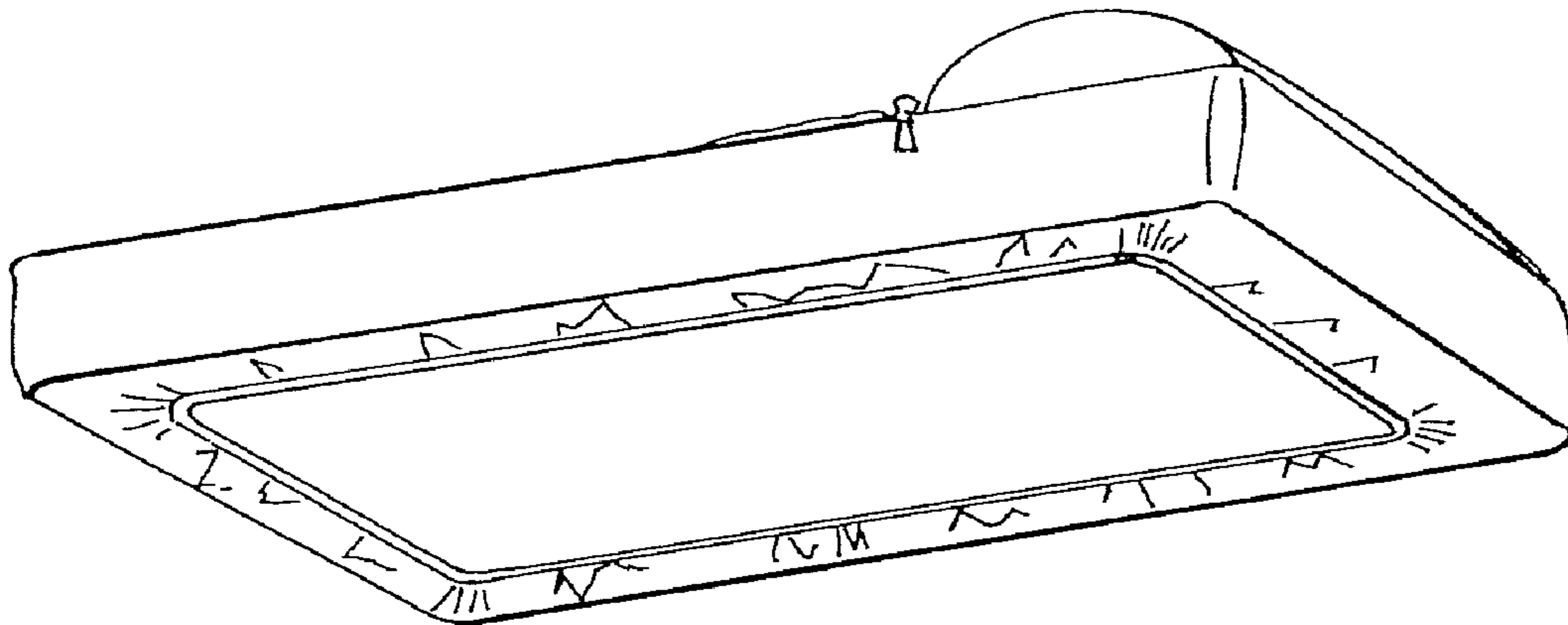


FIG. 5

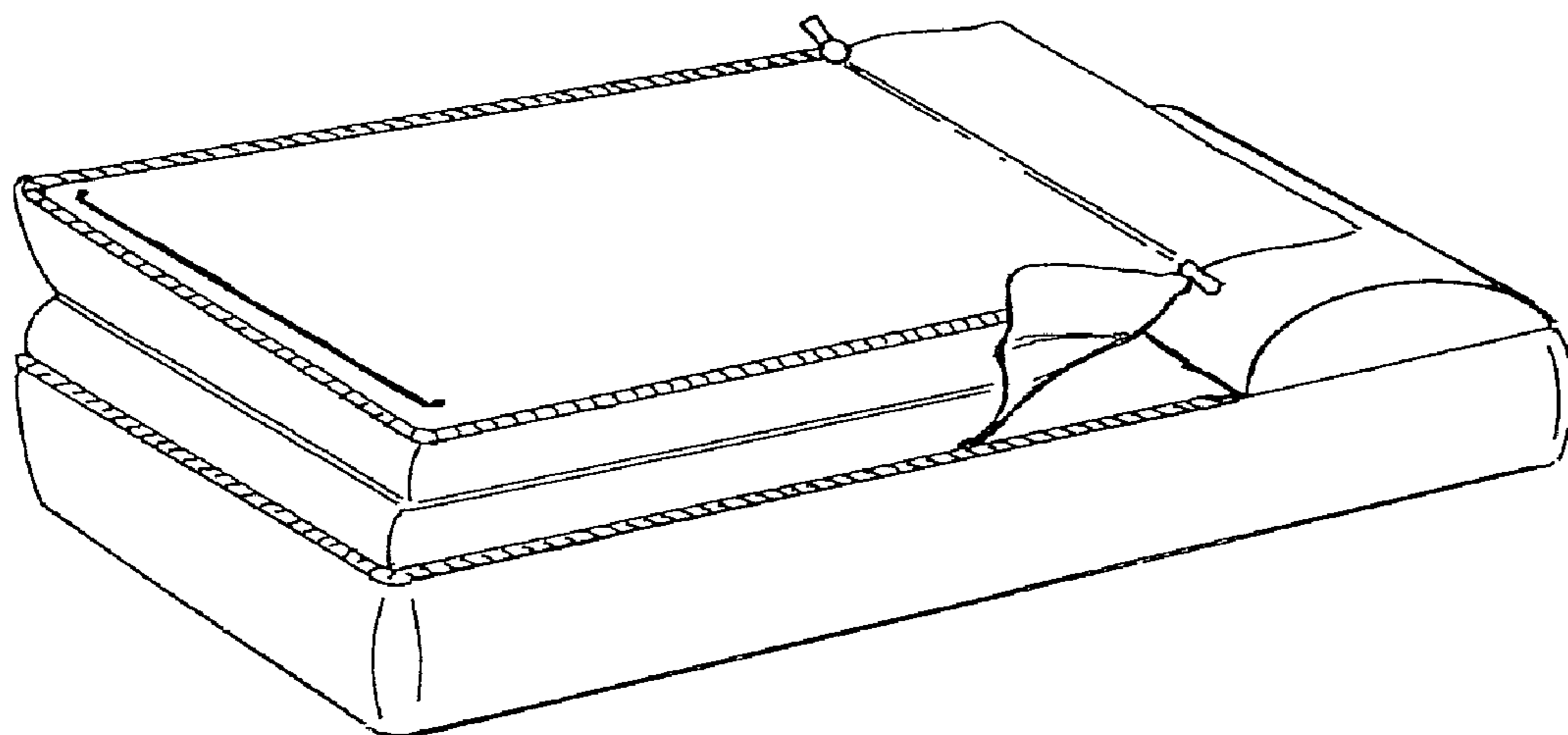


FIG. 6