



US00D593785S

(12) **United States Design Patent**
Preda

(10) **Patent No.:** **US D593,785 S**

(45) **Date of Patent:** **** Jun. 9, 2009**

(54) **STAIR STEP MAT**

(75) **Inventor:** **George Preda**, 12636 SE. 212th Pl.,
Kent, WA (US) 98031

(73) **Assignee:** **George Preda**, Kent, WA (US)

(**) **Term:** **14 Years**

(21) **Appl. No.:** **29/312,526**

(22) **Filed:** **Oct. 28, 2008**

Related U.S. Application Data

(63) Continuation-in-part of application No. 29/292,973,
filed on Nov. 5, 2007.

(51) **LOC (9) Cl.** **06-10**

(52) **U.S. Cl.** **D6/582**

(58) **Field of Classification Search** D6/582-595,
D6/604; 219/201, 213, 528, 529, 539, 545;
392/379; D12/203; D5/7; 99/425; 112/410
See application file for complete search history.

(56) **References Cited**

U.S. PATENT DOCUMENTS

2,745,942	A *	5/1956	Cohen	219/528
4,788,417	A *	11/1988	Graflind	219/528
5,291,000	A *	3/1994	Hornberger	219/539
D345,878	S *	4/1994	Garon	D6/583
D406,000	S *	2/1999	Hartranft	D6/583
5,908,573	A *	6/1999	Chiles et al.	219/545

D478,451	S *	8/2003	Bergen	D6/583
6,987,928	B2 *	1/2006	Shields	392/379
7,170,033	B2 *	1/2007	Kaesler	219/201
D542,070	S *	5/2007	Richardson	D6/583
D562,611	S *	2/2008	Rundle	D6/586

* cited by examiner

Primary Examiner—Robert M Spear
Assistant Examiner—Barbara B Lohr

(57) **CLAIM**

The ornamental design for a stair step mat, as shown and described.

DESCRIPTION

The following article relates to a small carpet mat adapted to be installed on stair steps, separately on each step, especially stairs located inside the house.

FIG. 1 is a top front perspective view of a stair step mat showing my new design;

FIG. 2 is a left side elevational view of the stair step mat, the left side being identical thereto;

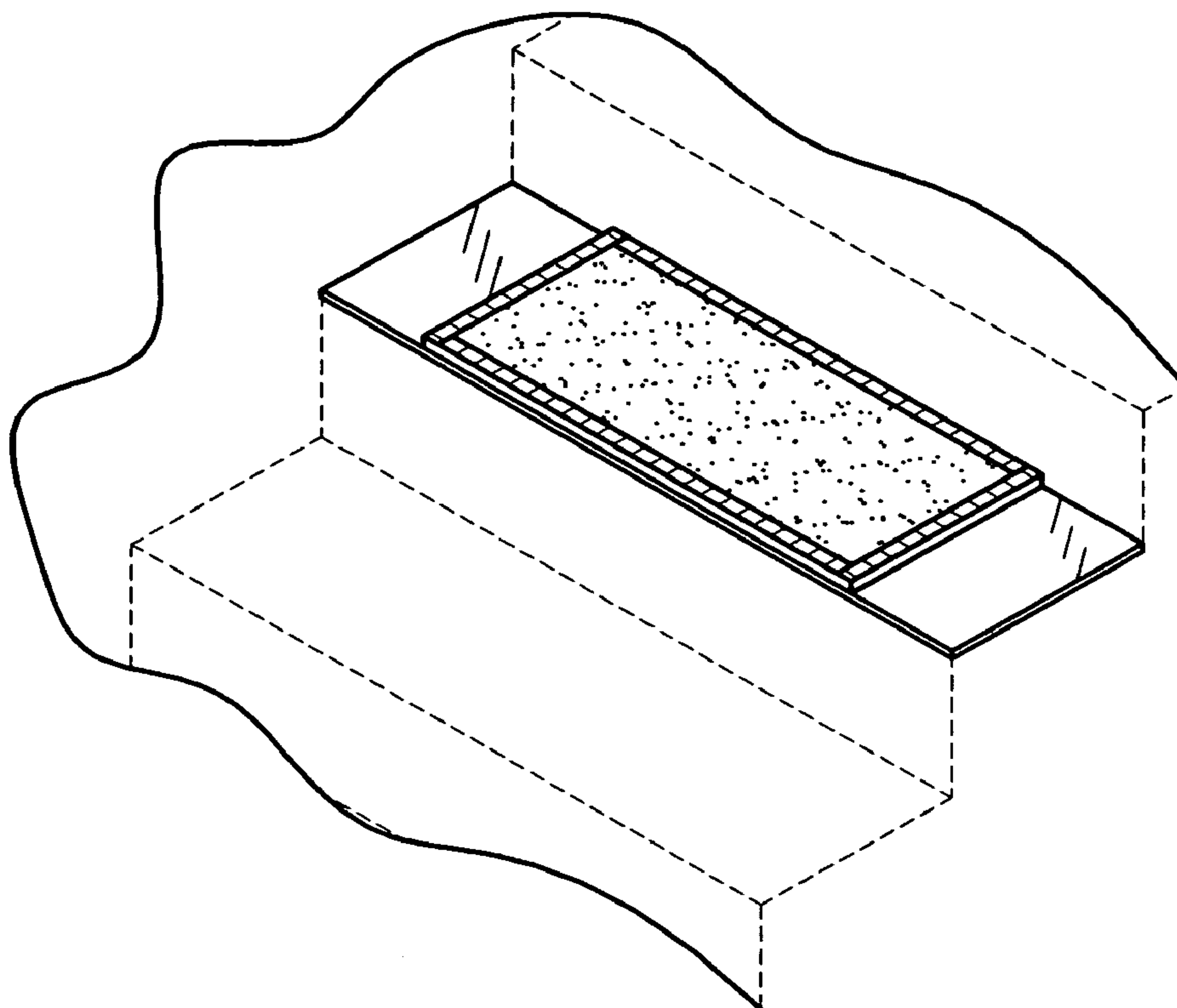
FIG. 3 is a front elevational view of the front side of the stair step mat, the backside being identical thereto;

FIG. 4 is a top plan view thereof; and,

FIG. 5 is a bottom plan view thereof.

The broken lines in the drawings depict environmental subject matter, which forms no part of the claimed design.

1 Claim, 2 Drawing Sheets



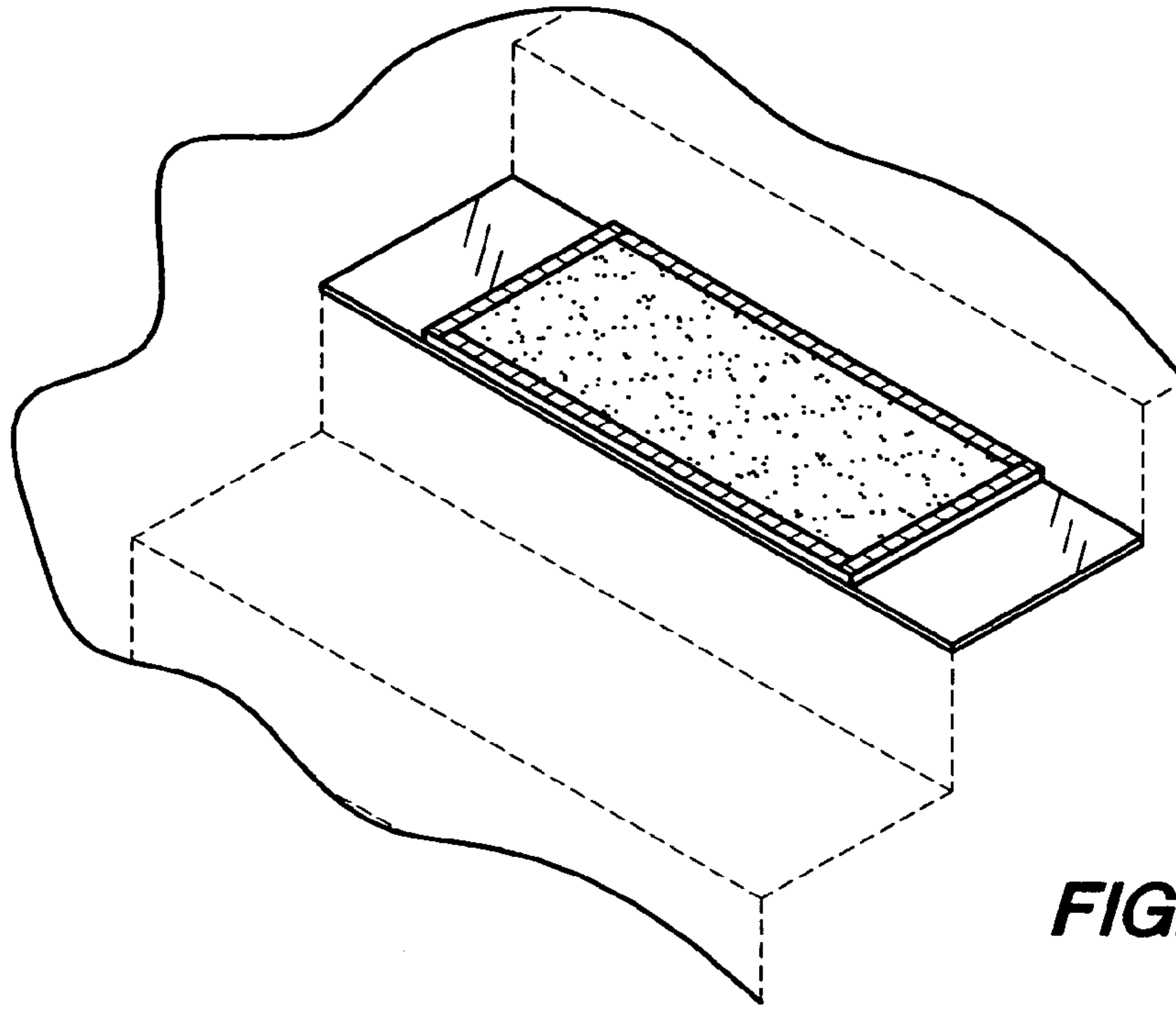


FIG. 1



FIG. 2



FIG. 3

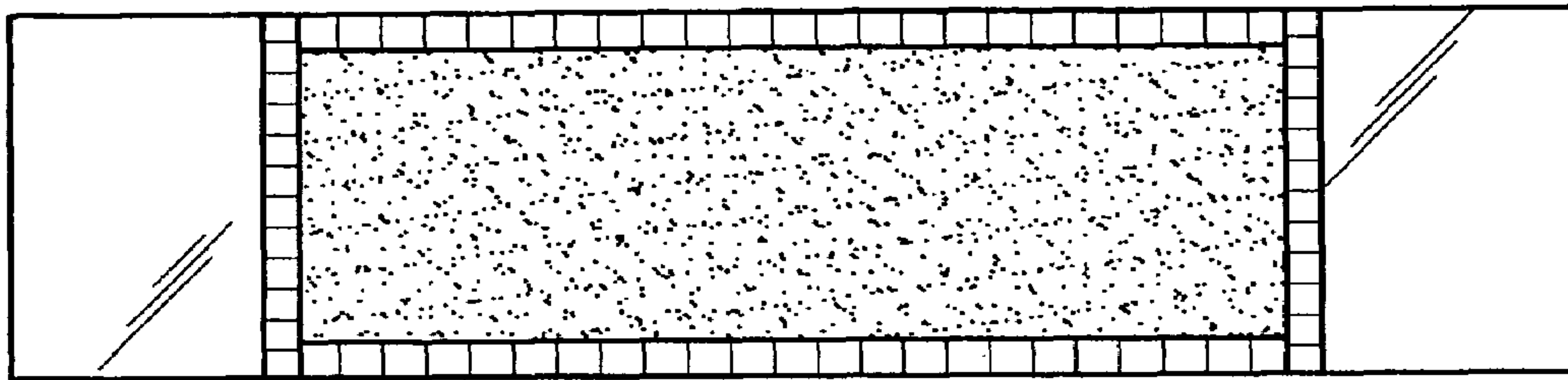


FIG. 4

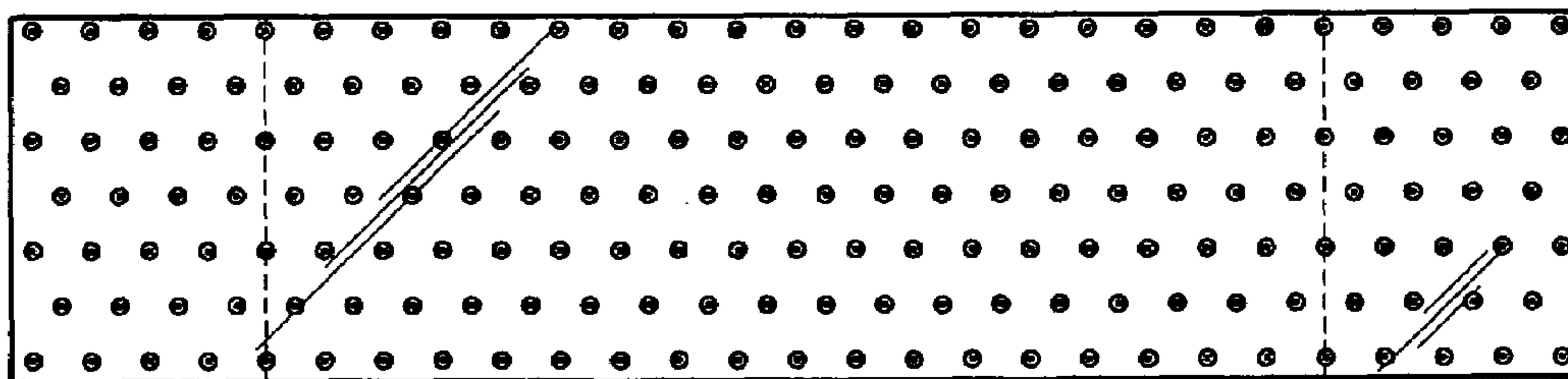


FIG. 5