



US00D593783S

(12) **United States Design Patent**
Golias, Jr. et al.

(10) **Patent No.:** **US D593,783 S**
(45) **Date of Patent:** **** Jun. 9, 2009**

(54) **PORTION OF A CABINET SHELF**
(75) Inventors: **Bernard J. Golias, Jr.**, Twinsburg, OH
(US); **Robert J. Golias**, Solon, OH
(US); **Gary W. James**, Parma Heights,
OH (US)
(73) Assignee: **Metal Fabricating Corporation**,
Cleveland, OH (US)

2,211,113 A * 8/1940 Hall 312/229
4,155,312 A * 5/1979 Thorkildson 108/137
D345,480 S * 3/1994 Sandegren D6/511
5,702,011 A * 12/1997 Carroll 211/135
D402,143 S * 12/1998 Zapf D6/510
D436,782 S * 1/2001 Rapp D6/574
D510,220 S * 10/2005 Sandy D6/511
D525,059 S * 7/2006 Golias et al. D6/511
D541,563 S * 5/2007 LaBonia et al. D6/511
D568,648 S 5/2008 Roussel et al.

(**) Term: **14 Years**
(21) Appl. No.: **29/327,872**
(22) Filed: **Nov. 14, 2008**

* cited by examiner

Primary Examiner—Mimosa De
(74) *Attorney, Agent, or Firm*—Fay Sharpe LLP

Related U.S. Application Data

(63) Continuation of application No. 11/784,013, filed on
Apr. 5, 2007.

(57) **CLAIM**

The ornamental design for a portion of a cabinet shelf, as
shown and described.

(51) **LOC (9) Cl.** **06-06**
(52) **U.S. Cl.** **D6/511**
(58) **Field of Classification Search** D6/402,
D6/474, 477, 479, 481, 491, 509, 511, 510,
D6/553, 566, 567, 571, 572, 574; 312/140.1,
312/140.4, 229; 108/27, 59, 137, 157.13;
211/59.2, 71.01, 72, 90.01, 134, 135, 153;
248/174, 676
See application file for complete search history.

DESCRIPTION

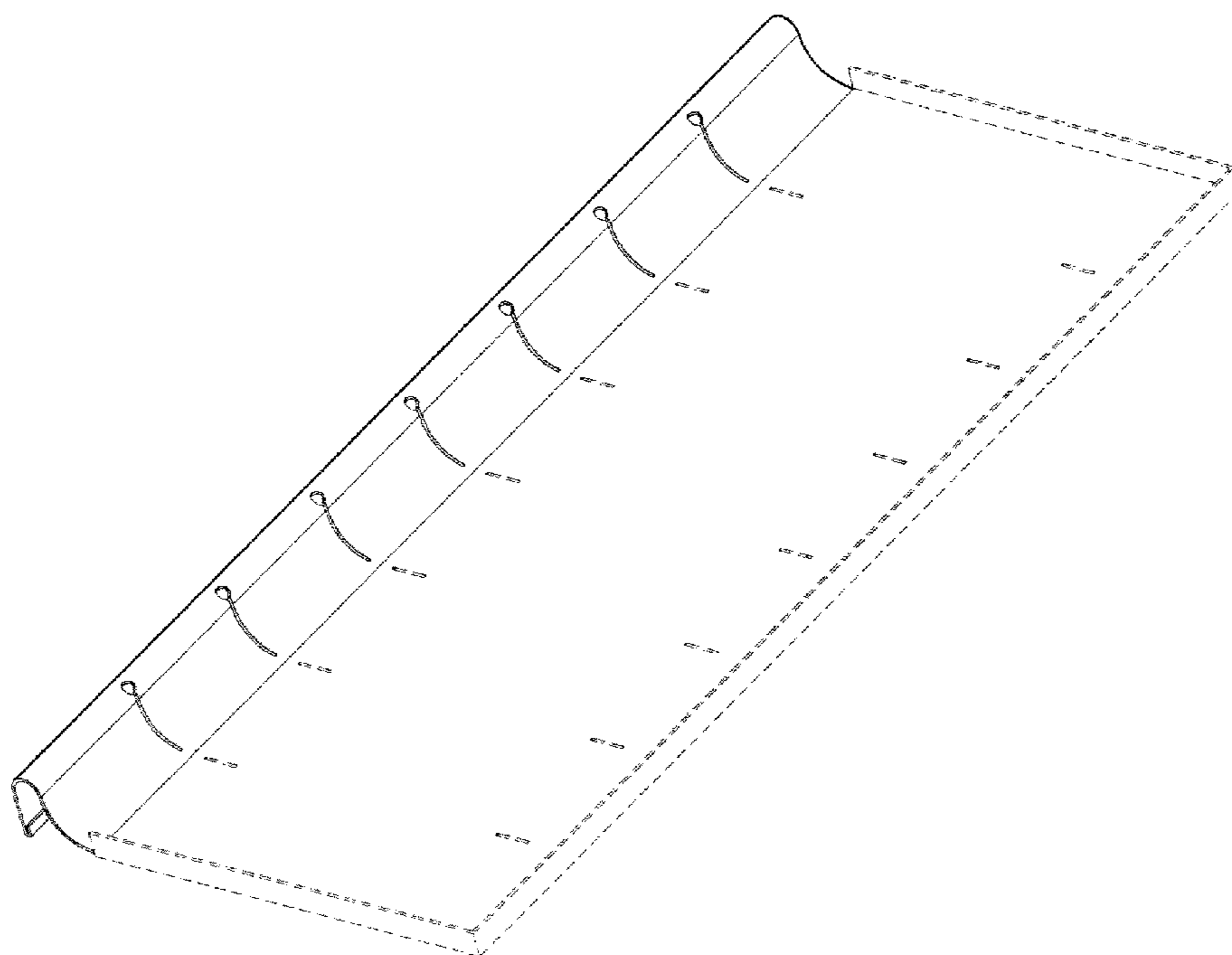
FIG. 1 is a top rear perspective view of a portion of a cabinet
shelf;
FIG. 2 is a right side elevation view thereof, with a left side
elevation view being a mirror image thereof;
FIG. 3 is a top plan view thereof;
FIG. 4 is a rear elevational view thereof;
FIG. 5 is a front elevational view thereof; and,
FIG. 6 is a bottom plan view thereof.

(56) **References Cited**
U.S. PATENT DOCUMENTS

The dashed broken lines in FIGS. 1–6 represent environmen-
tal subject matter and form no part of the claimed design.

1,840,485 A 1/1932 Butter

1 Claim, 3 Drawing Sheets



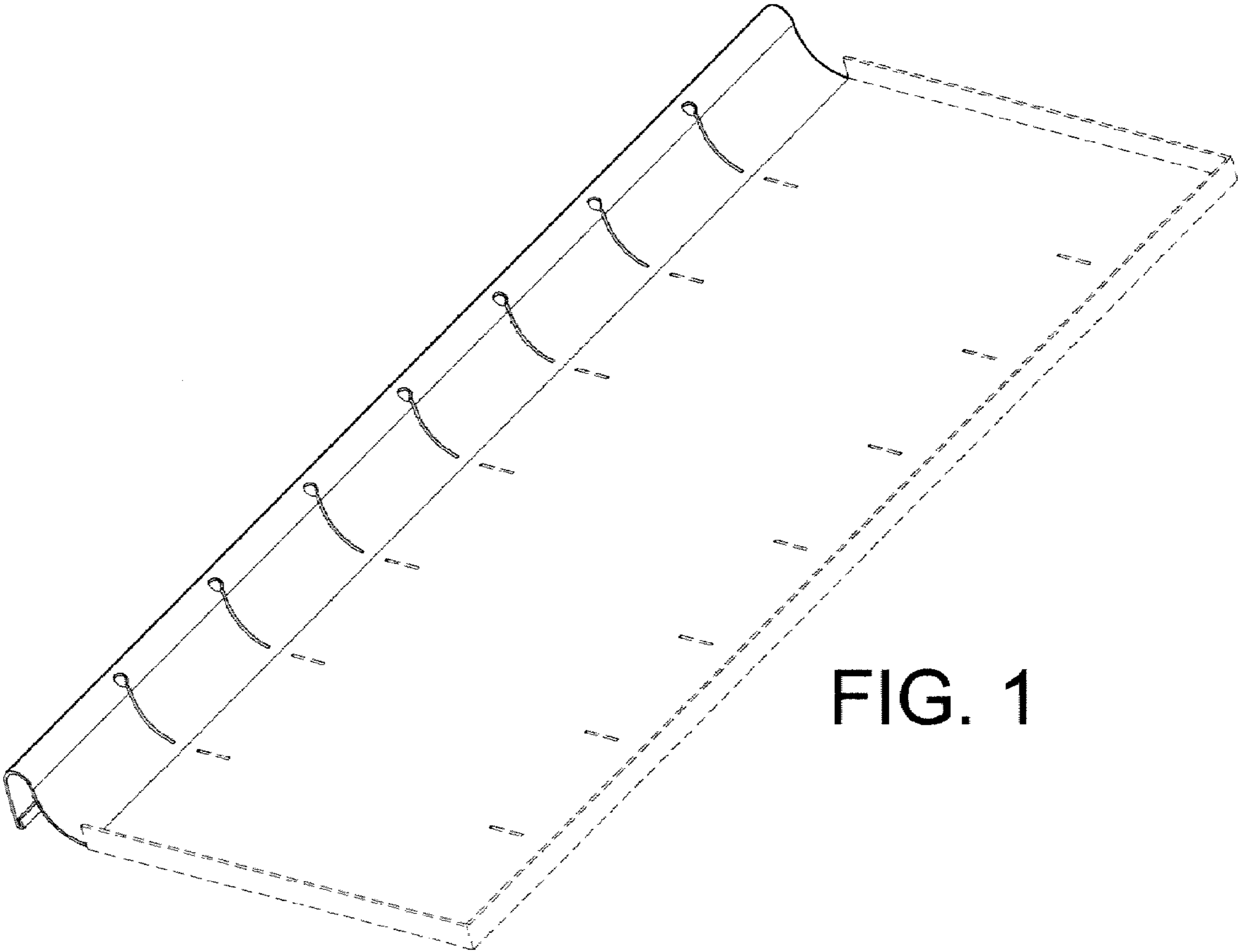


FIG. 1



FIG. 2



FIG. 5

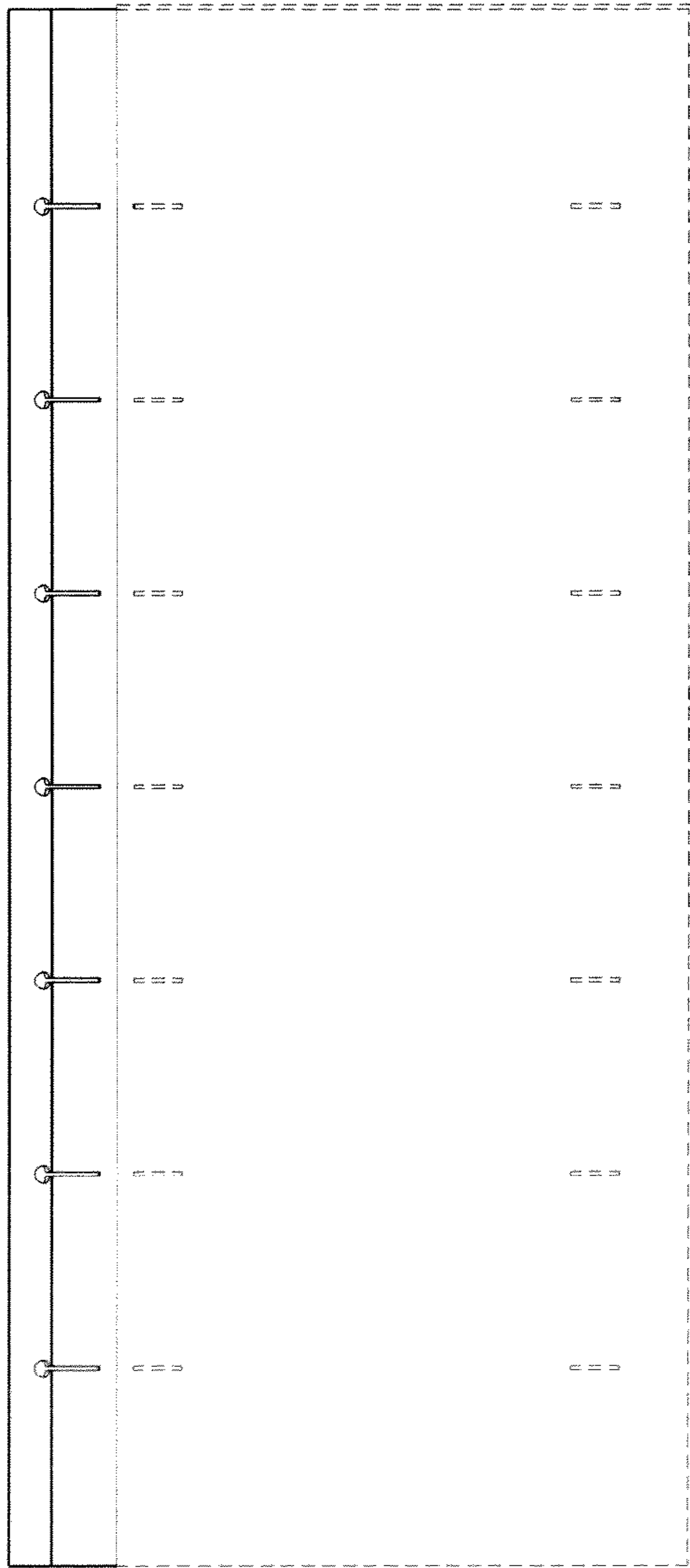


FIG. 3

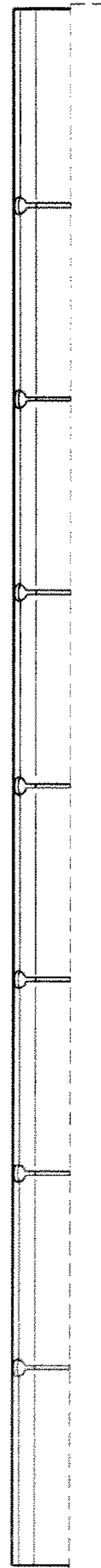


FIG. 4

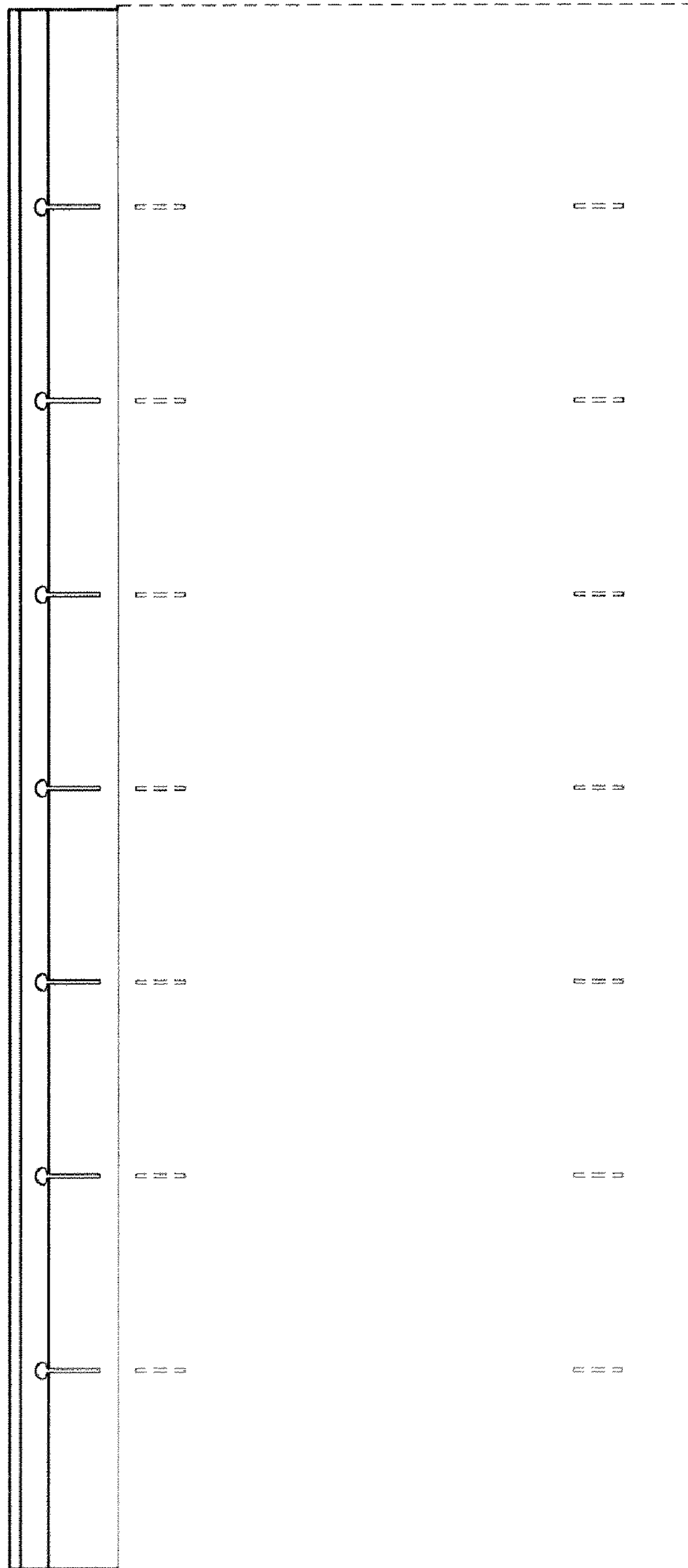


FIG. 6