



US00D593780S

(12) **United States Design Patent**  
**Jeup**

(10) **Patent No.:** **US D593,780 S**  
(45) **Date of Patent:** **\*\* Jun. 9, 2009**

(54) **TABLE**

(75) Inventor: **Joseph Jeup**, Hudsonville, MI (US)

(73) Assignee: **Donghia, Inc.**, Mount Vernon, NY (US)

(\*\*) Term: **14 Years**

(21) Appl. No.: **29/319,477**

(22) Filed: **Jun. 10, 2008**

(51) **LOC (9) Cl.** ..... **06-03**

(52) **U.S. Cl.** ..... **D6/495; D6/484**

(58) **Field of Classification Search** ..... D6/480-489,  
D6/495-499, 429-430, 477, 479, 349, 436;  
108/153.1, 155, 156, 161, 50.01, 50.02; 248/188,  
248/188.1, 188.8

See application file for complete search history.

(56) **References Cited**

**U.S. PATENT DOCUMENTS**

D255,519 S *	6/1980	Friedman	.....	D6/477
D301,814 S *	6/1989	Bush et al.	.....	D6/484
D503,570 S *	4/2005	Anderson et al.	.....	D6/480
2002/0108539 A1 *	8/2002	Dahl	.....	108/50.01

\* cited by examiner

*Primary Examiner*—Janice E Seeger

(74) *Attorney, Agent, or Firm*—Heslin Rothenberg Farley & Mesiti P.C.

(57) **CLAIM**

The ornamental design for a table, as shown and described.

**DESCRIPTION**

FIG. 1 is a perspective view of a table comprising the new design;

FIG. 2 is a top view thereof;

FIG. 3 is a front view thereof;

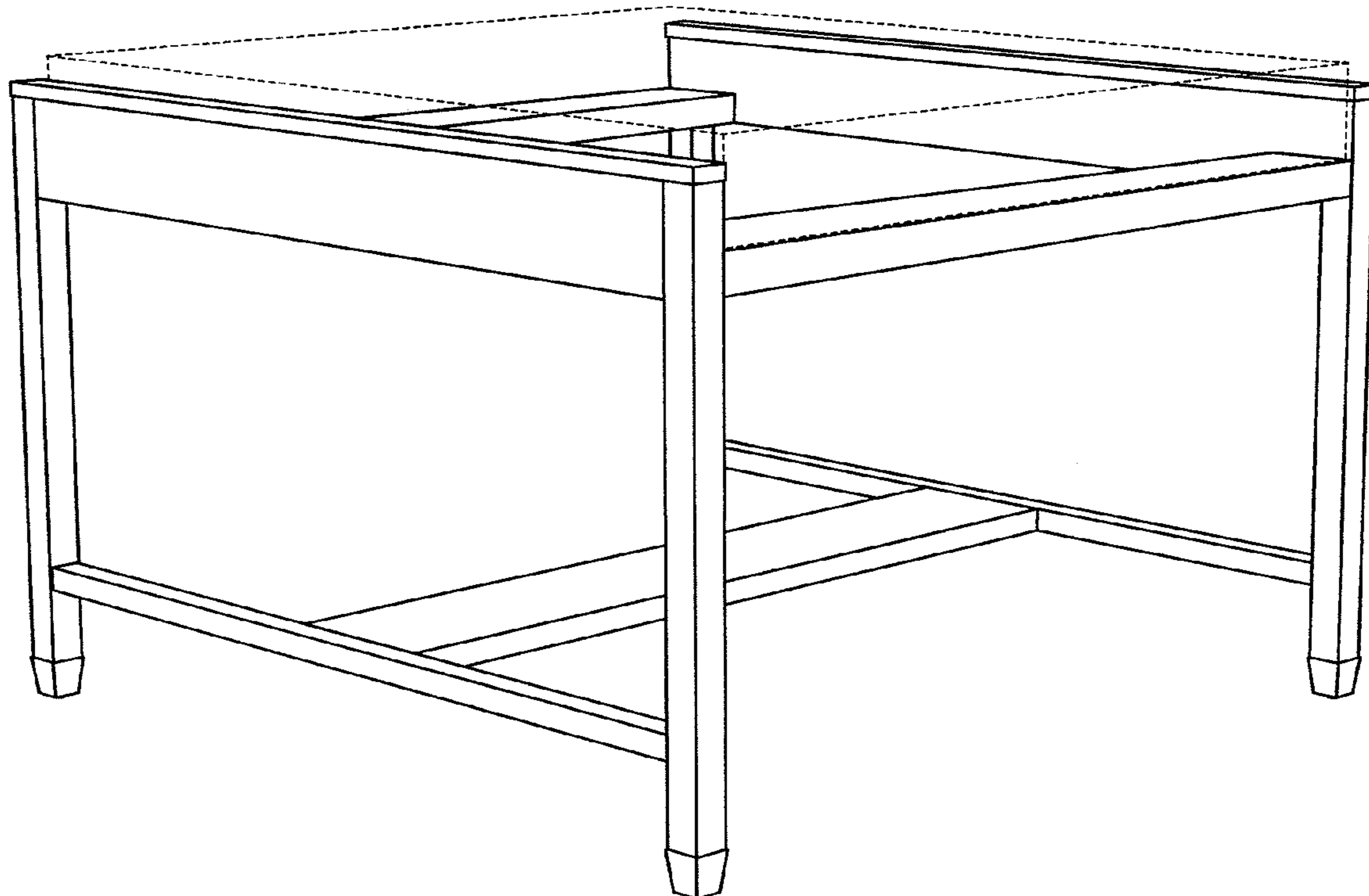
FIG. 4 is a right side view thereof, where the left side view is a mirror image thereof;

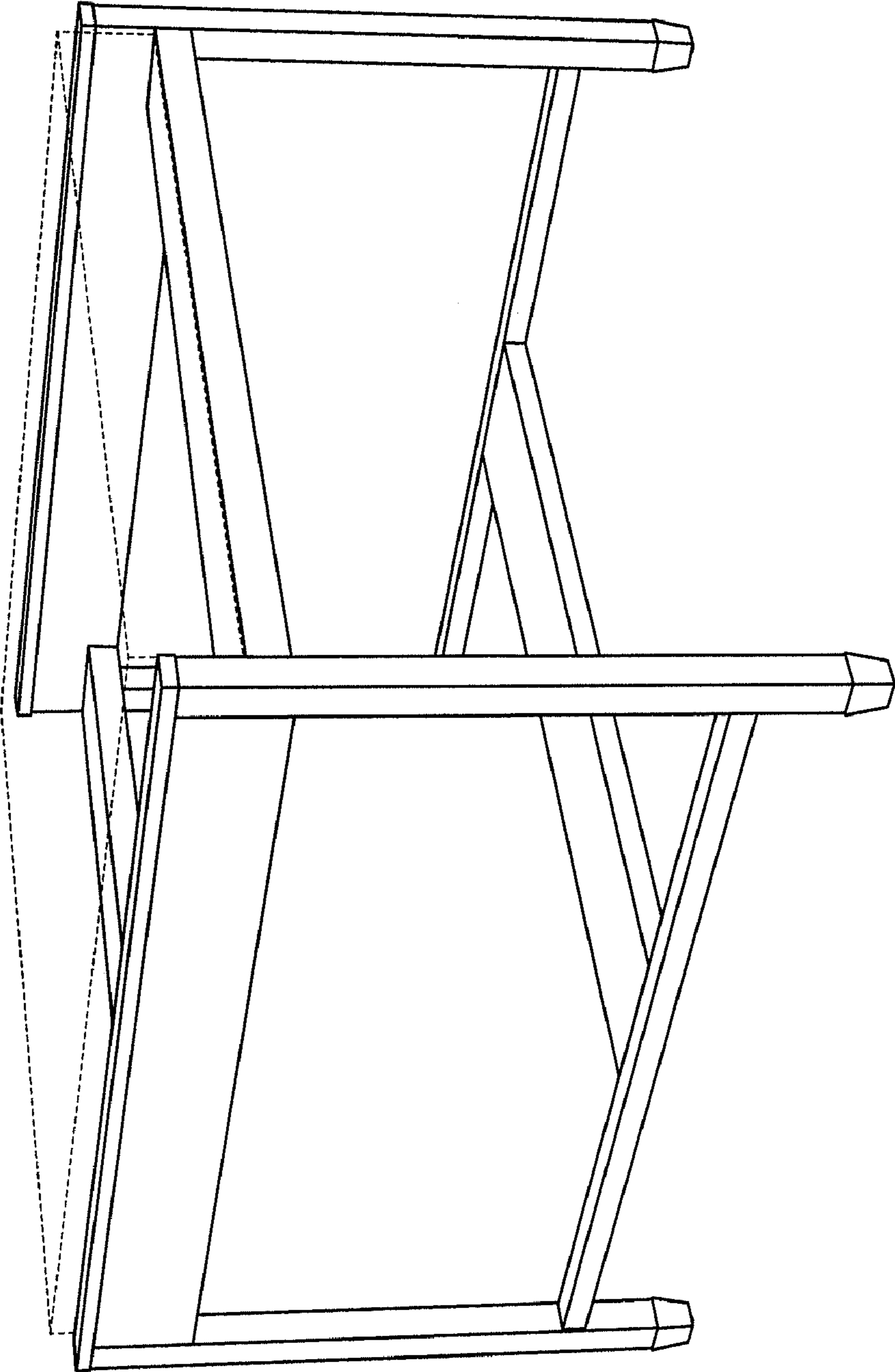
FIG. 5 is a front view of an alternative embodiment of the table having an indeterminate width, which is the sole difference between it and FIGS. 1-4; and,

FIG. 6 is a right side view of an alternative embodiment of the table, having an indeterminate width, which is the sole difference between it and FIGS. 1-5.

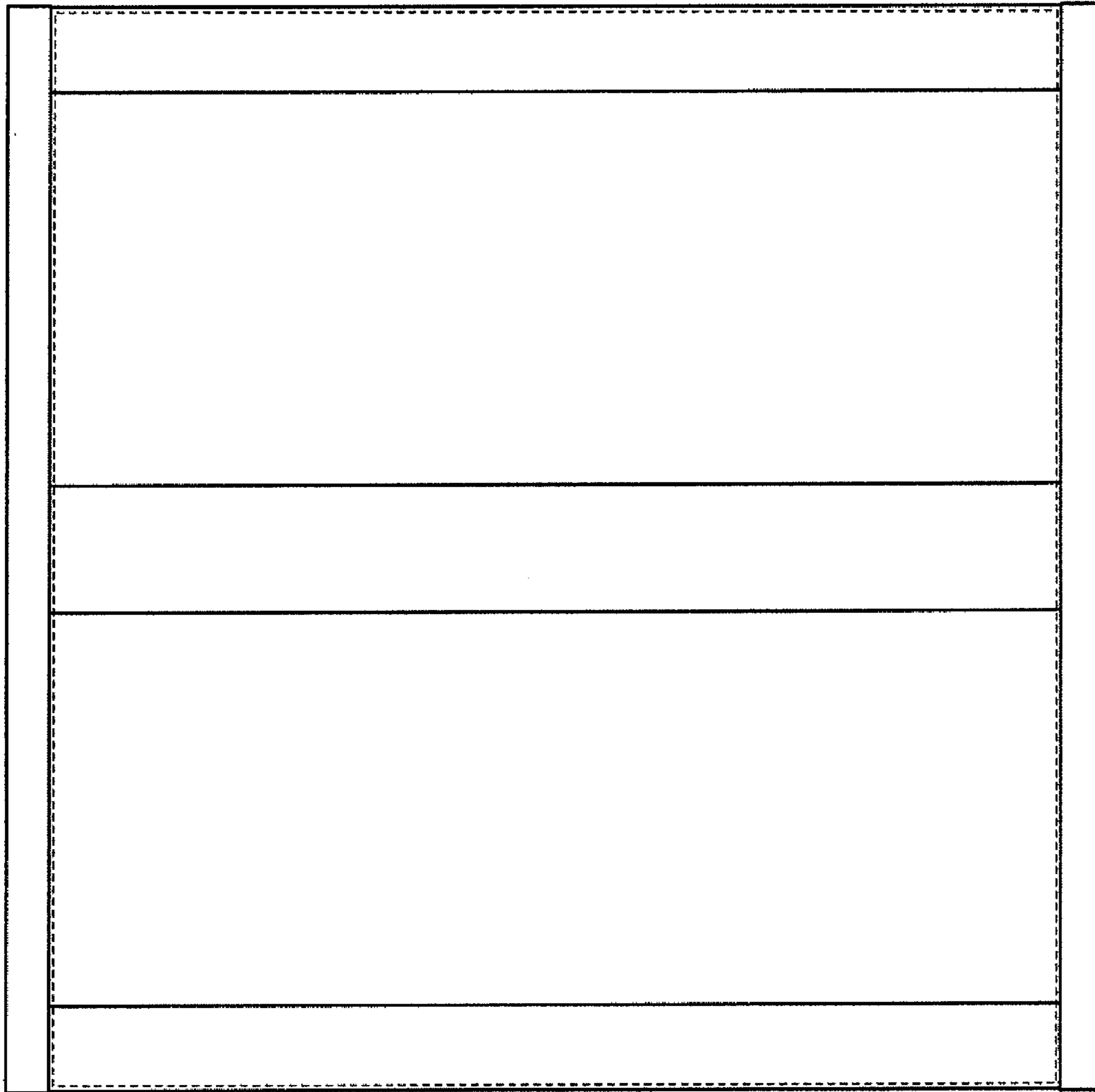
The broken line depiction is for illustrative purposes only and forms no part of the claimed invention.

**1 Claim, 6 Drawing Sheets**

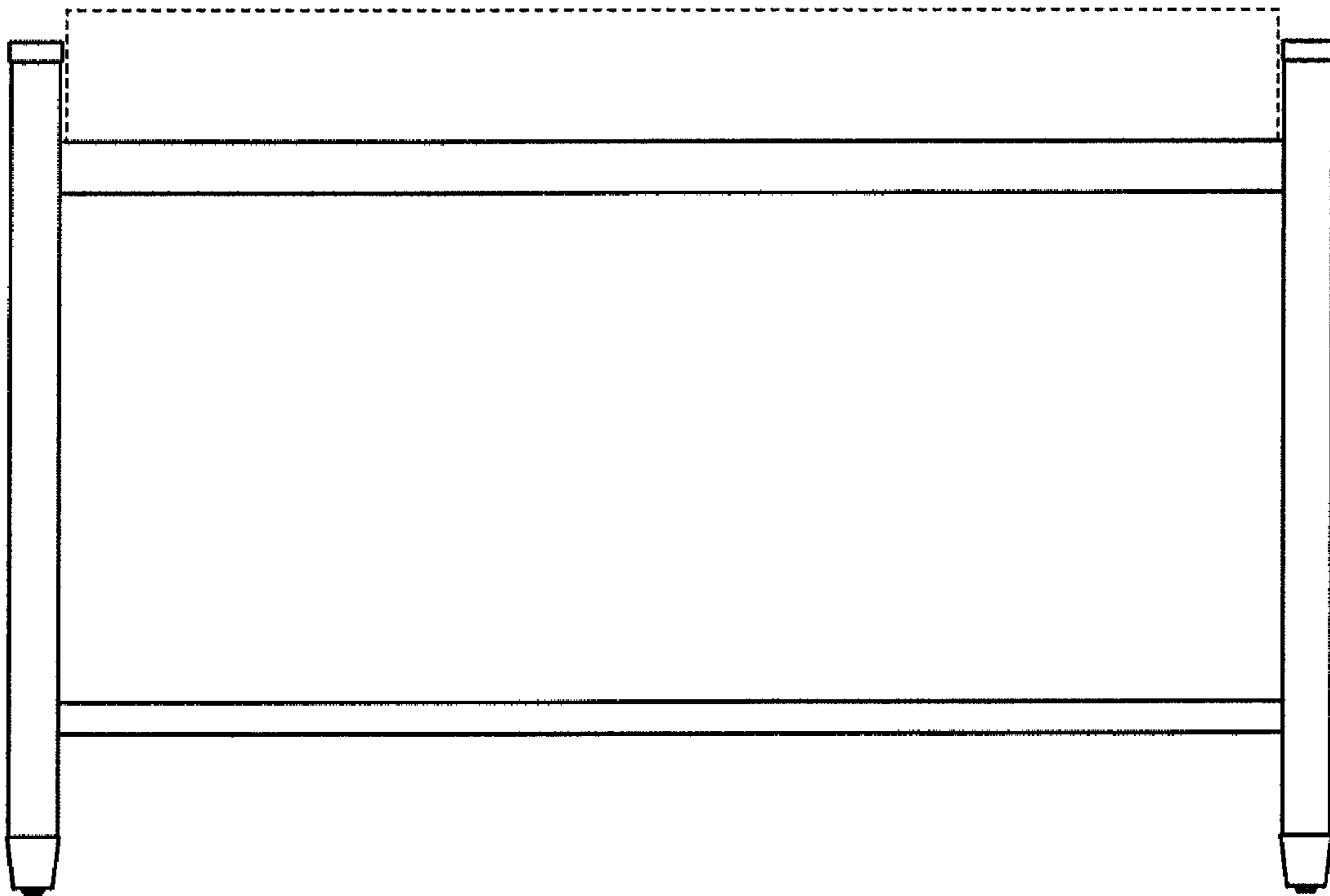




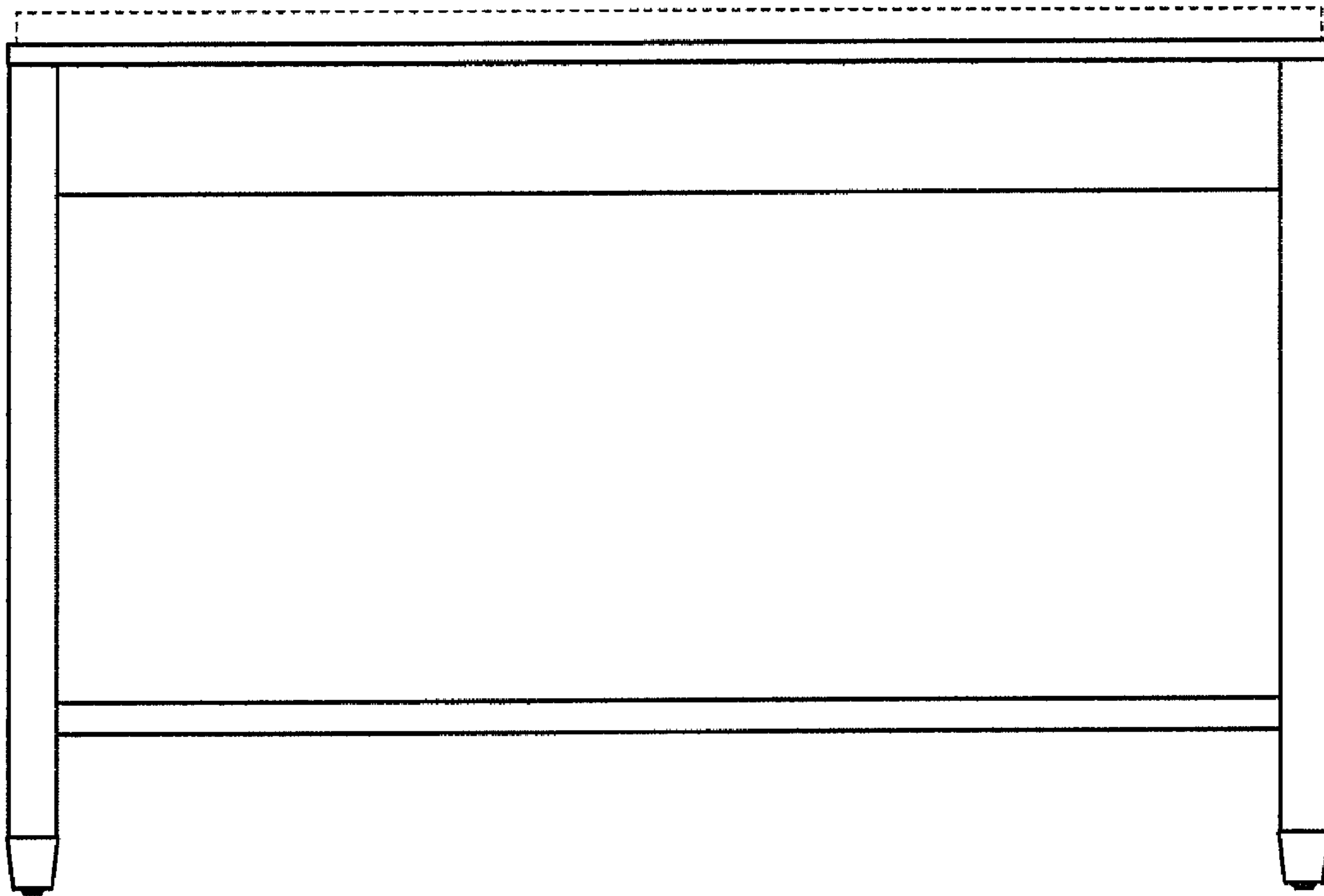
**FIG. 1**



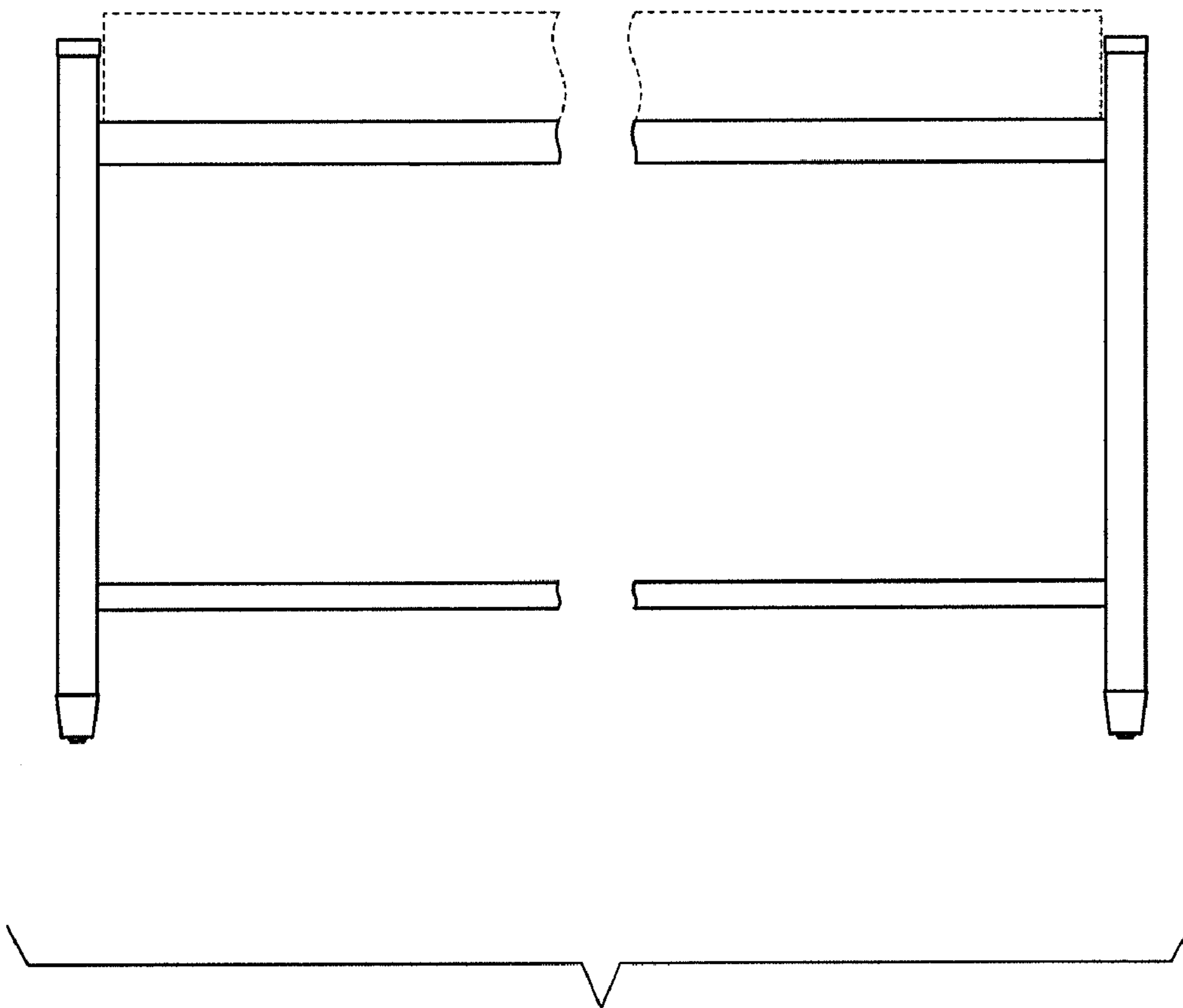
***FIG. 2***



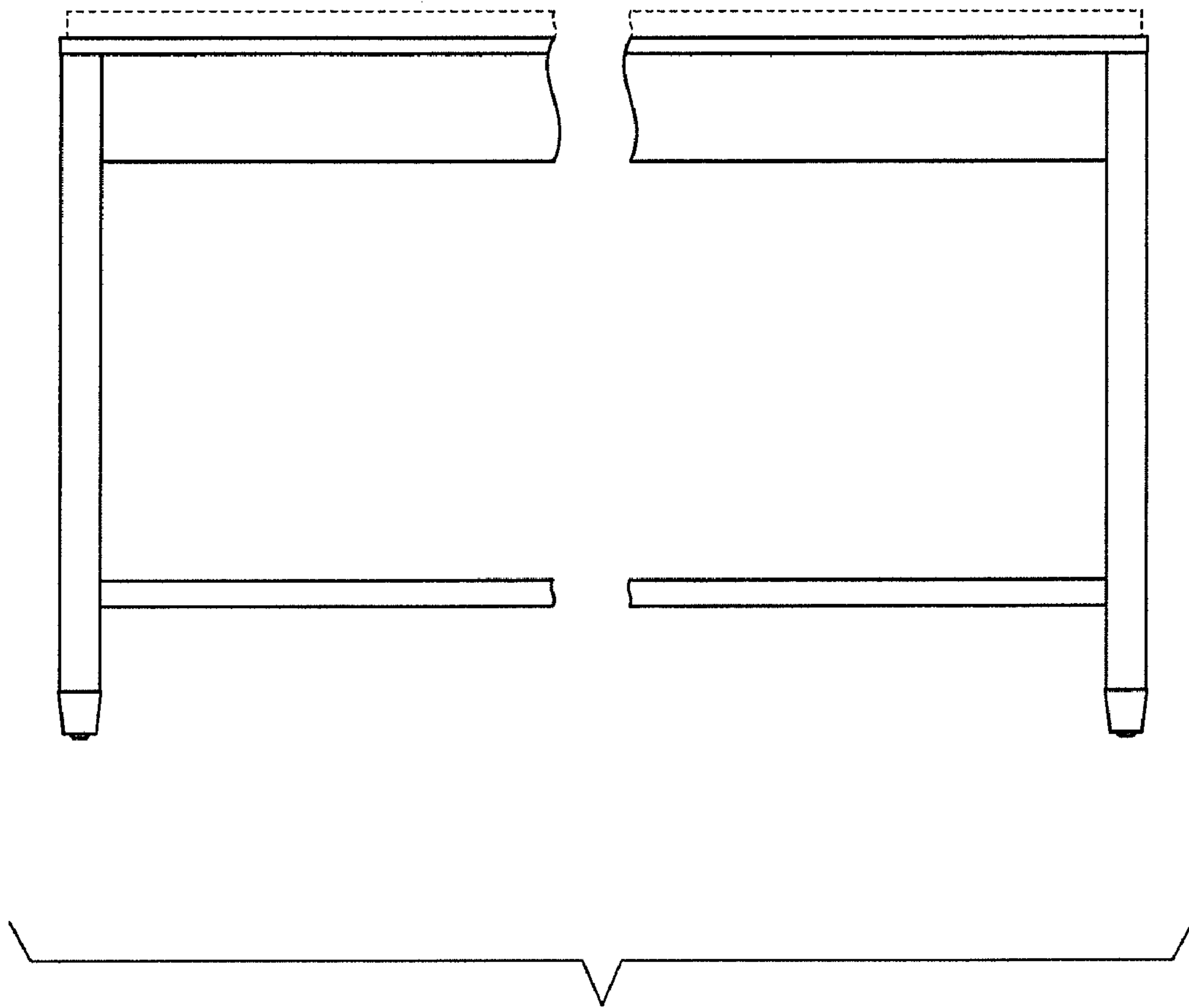
***FIG. 3***



***FIG. 4***



**FIG. 5**



**FIG. 6**