



US00D593777S

(12) **United States Design Patent**  
**Jeup**

(10) **Patent No.:** **US D593,777 S**  
(45) **Date of Patent:** **\*\* Jun. 9, 2009**

(54) **TABLE**

*Primary Examiner*—Janice E Seeger

(75) Inventor: **Joseph Jeup**, Hudsonville, MI (US)

(74) *Attorney, Agent, or Firm*—Heslin Rothenberg Farley & Mesiti P.C.

(73) Assignee: **Donghia, Inc.**, Mount Vernon, NY (US)

(\*\*) Term: **14 Years**

(57) **CLAIM**

(21) Appl. No.: **29/319,481**

The ornamental design for a table, as shown and described.

(22) Filed: **Jun. 10, 2008**

(51) **LOC (9) Cl.** ..... **06-03**

(52) **U.S. Cl.** ..... **D6/484; D6/441**

(58) **Field of Classification Search** ..... D6/480–489,  
D6/495–499, 429–430, 477, 479, 349, 436,  
D6/441; 108/153.1, 155, 156, 161, 50.01,  
108/50.02; 248/188, 188.1, 188.8  
See application file for complete search history.

**DESCRIPTION**

(56) **References Cited**

**U.S. PATENT DOCUMENTS**

D282,034 S *	1/1986	Janke	.....	D6/480
D428,733 S *	8/2000	Hazen et al.	.....	D6/441
D488,638 S *	4/2004	Stanton	.....	D6/441
D549,492 S *	8/2007	Sheppard	.....	D6/485
D567,536 S *	4/2008	Paterson	.....	D6/436

FIG. 1 is a perspective view of a table comprising the new design;

FIG. 2 is a top view thereof;

FIG. 3 is a front view thereof;

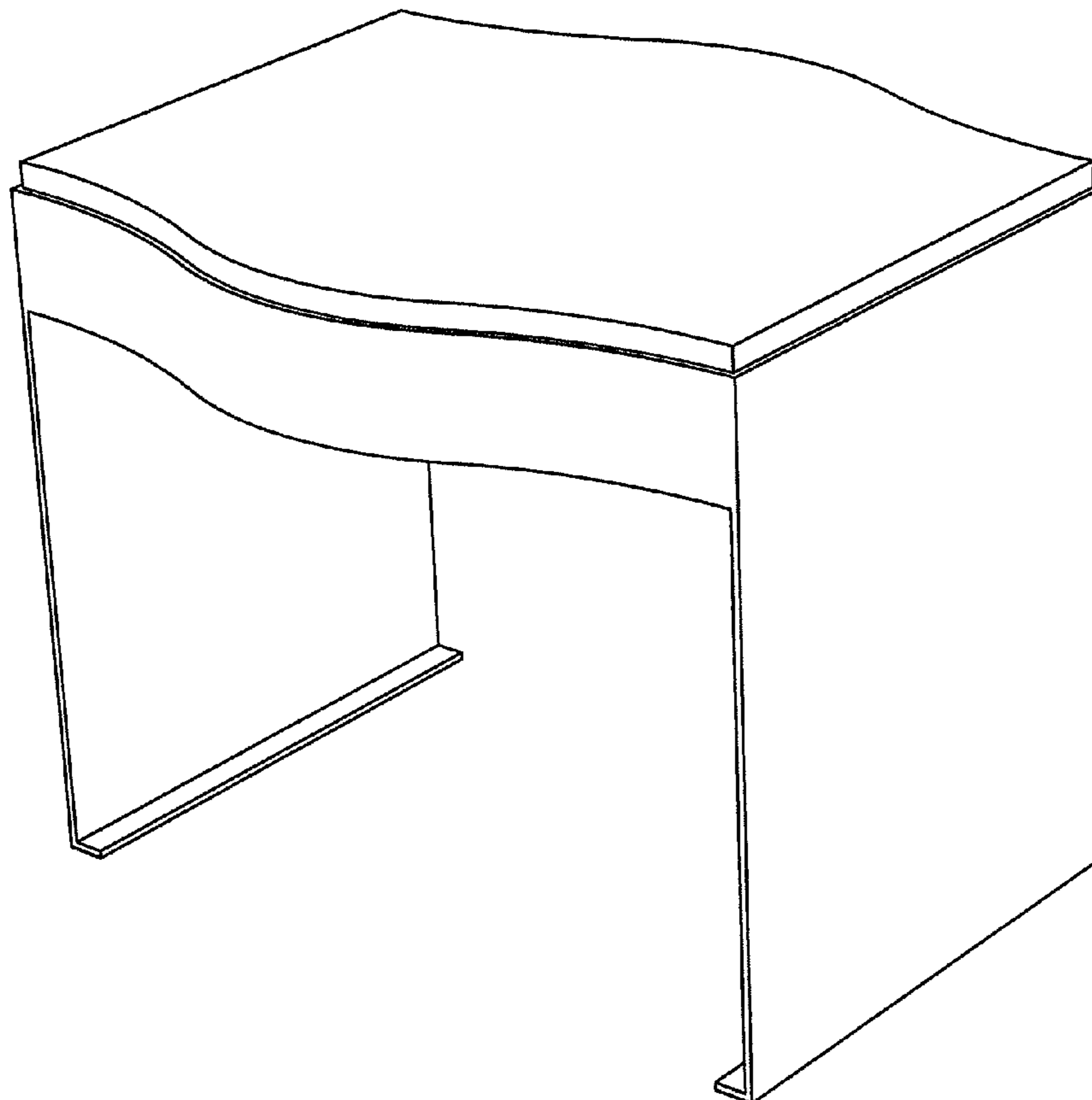
FIG. 4 is a right side view thereof, where the left side view is a mirror image thereof; and,

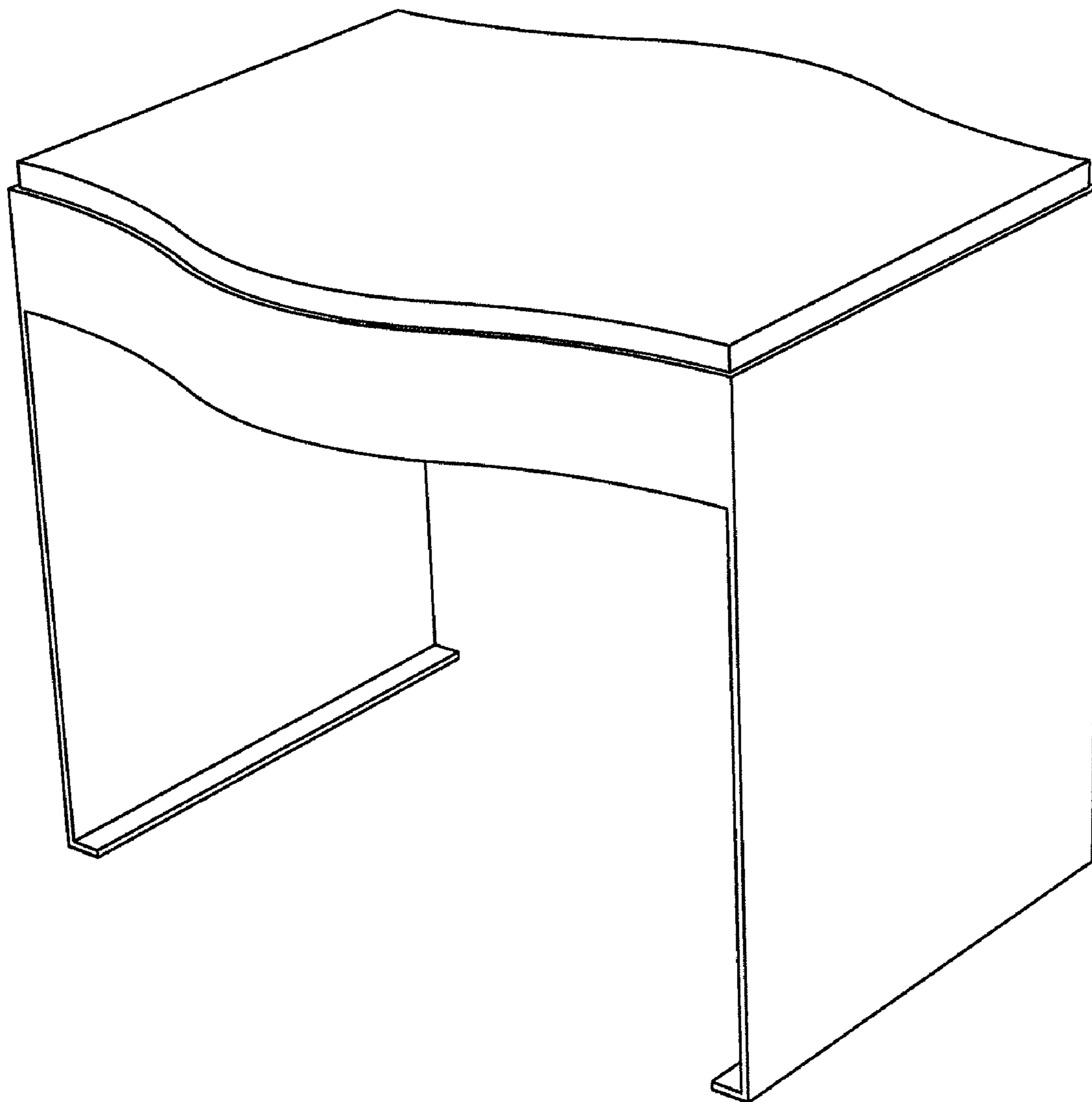
FIG. 5 is a front view of an alternative embodiment of the new design, having an indeterminate width, which is the sole difference between it and FIGS. 1–4.

The broken line depiction is for illustrative purposes only and forms no part of the claimed invention.

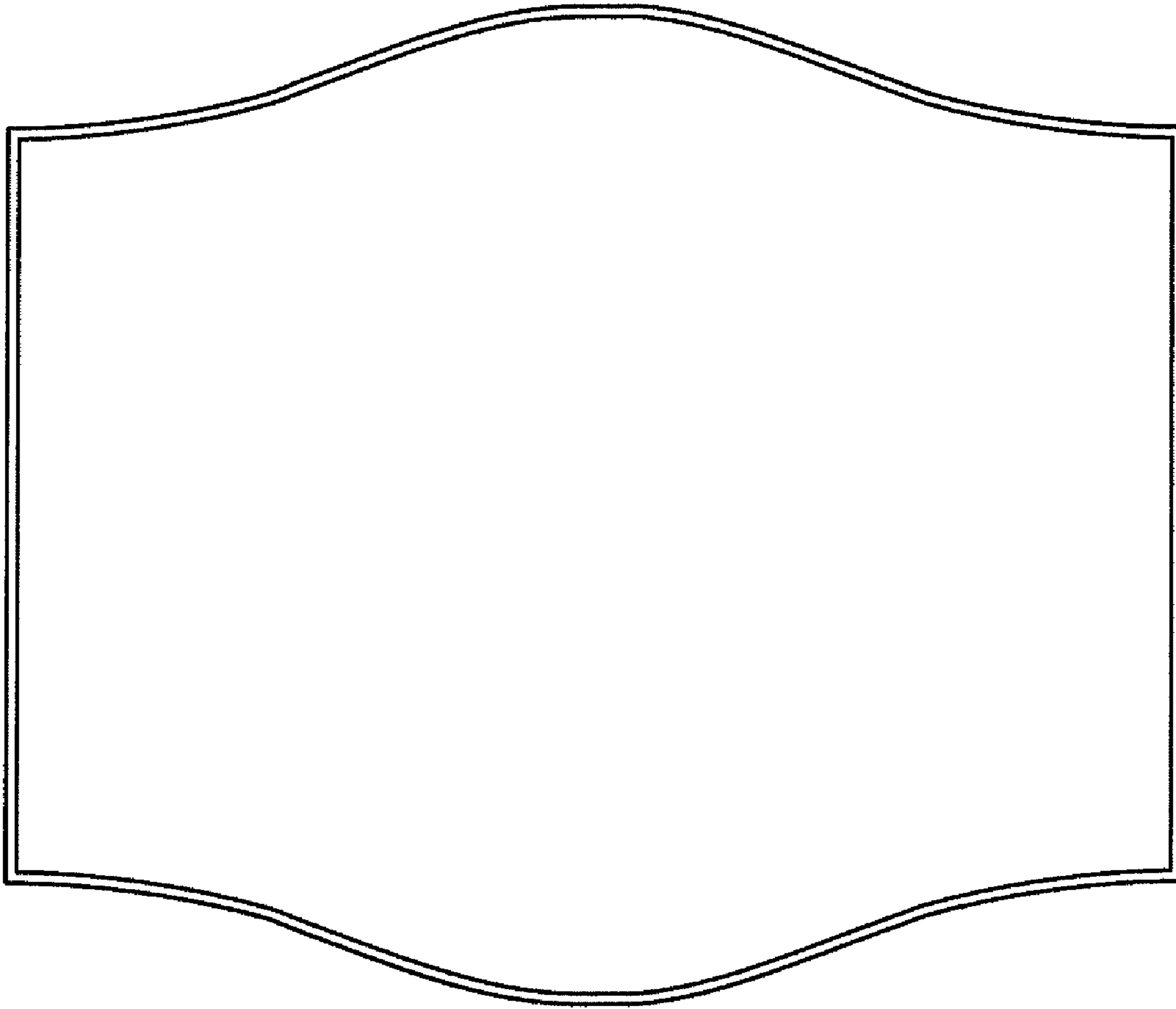
\* cited by examiner

**1 Claim, 5 Drawing Sheets**

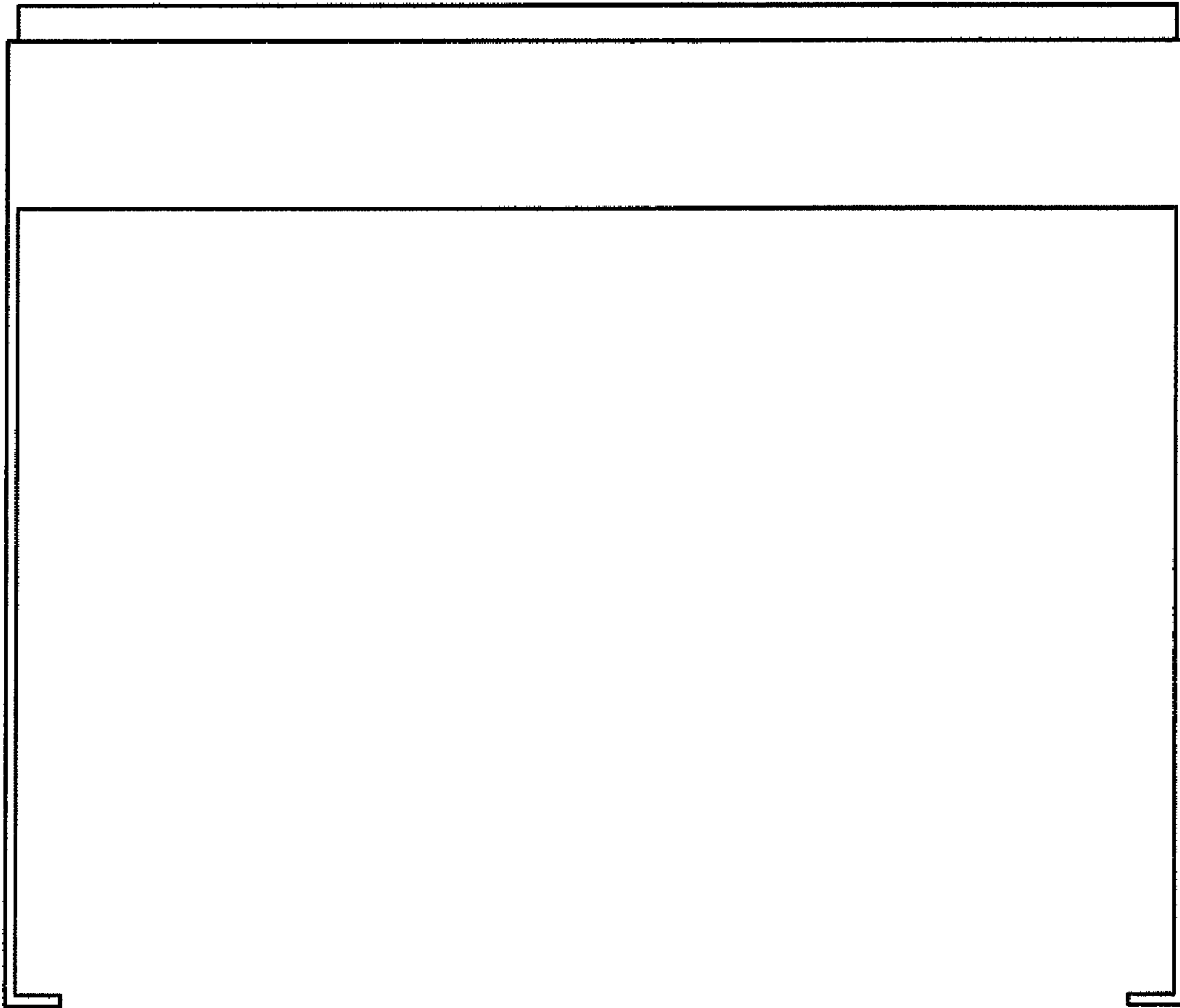




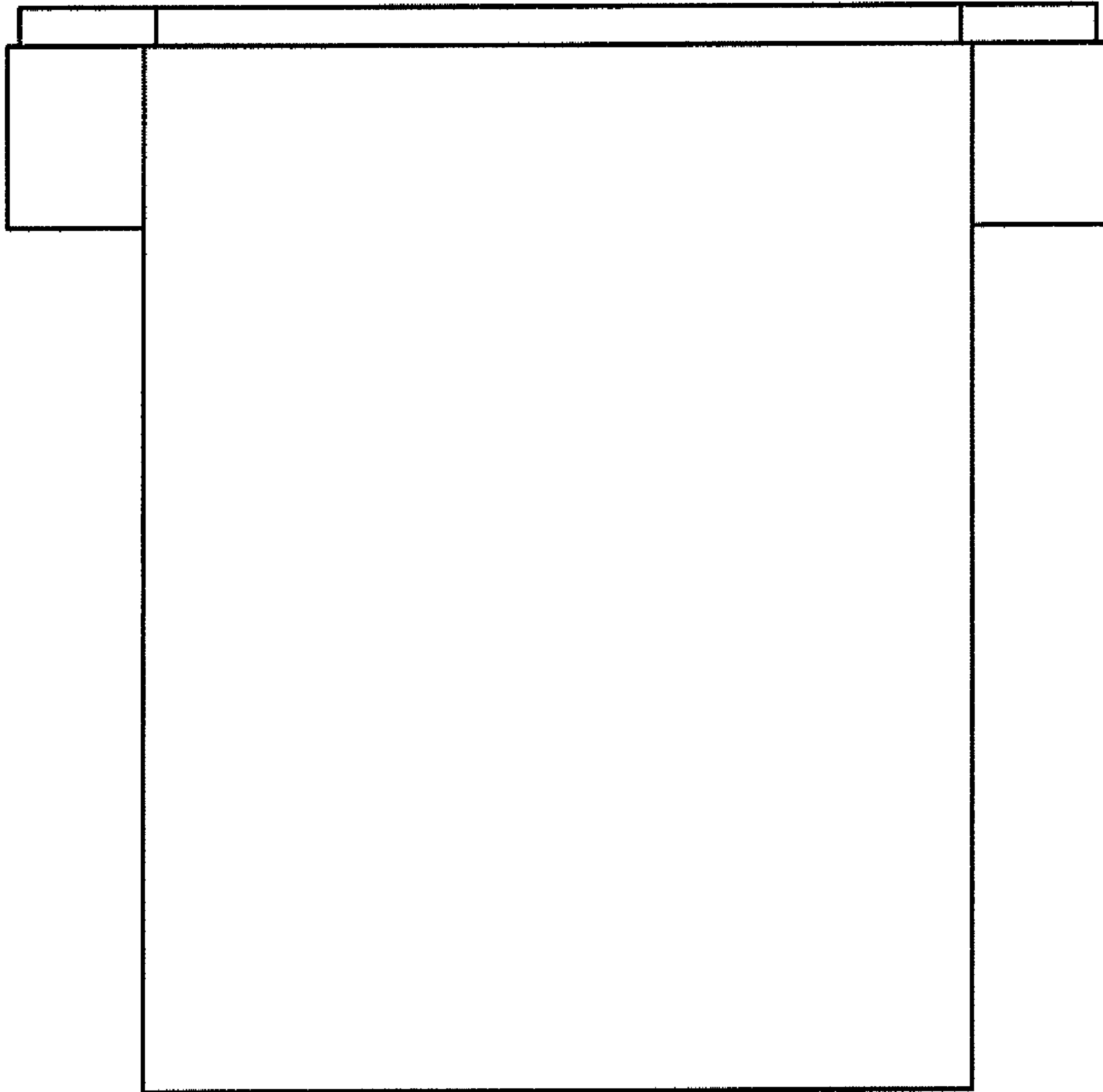
***FIG. 1***



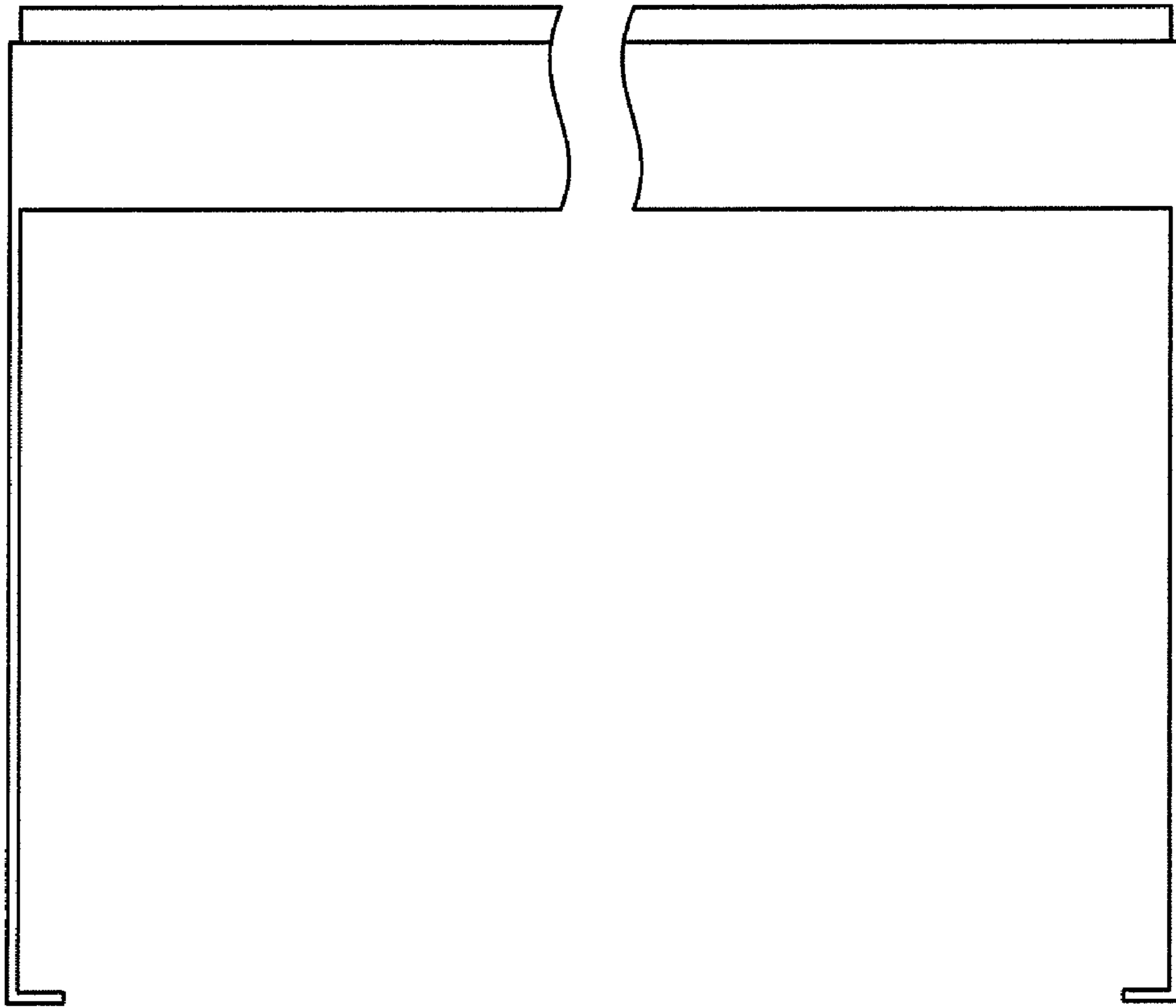
***FIG. 2***



***FIG. 3***



***FIG. 4***



***FIG. 5***