



US00D593776S

(12) **United States Design Patent**  
**Sexton**

(10) **Patent No.:** **US D593,776 S**  
(45) **Date of Patent:** **\*\* Jun. 9, 2009**

(54) **FLAT PANEL TV STAND**

D570,620 S \* 6/2008 Ongor ..... D6/479  
D576,427 S \* 9/2008 Stebbens et al. .... D6/477

(75) Inventor: **James S. Sexton**, San Ramon, CA (US)

\* cited by examiner

(73) Assignee: **Z-Line Design, Inc.**, San Ramon, CA (US)

*Primary Examiner*—Elizabeth A Albert  
*Assistant Examiner*—Kelley A Donnelly

(\*\*) Term: **14 Years**

(74) *Attorney, Agent, or Firm*—Townsend and Townsend and Crew LLP

(21) Appl. No.: **29/321,153**

(57) **CLAIM**

(22) Filed: **Jul. 11, 2008**

The ornamental design for a flat panel TV stand, as shown and described.

(51) **LOC (9) Cl.** ..... **06-04**

(52) **U.S. Cl.** ..... **D6/478**

(58) **Field of Classification Search** ..... D6/474,  
D6/477-479; 108/59, 91-92, 96; 211/40,  
211/41.12, 42, 49.1, 50, 85.2, 90.04; 206/307  
See application file for complete search history.

**DESCRIPTION**

FIG. 1 is a perspective view of a flat panel TV stand showing my new design;

FIG. 2 is a front elevational view thereof;

FIG. 3 is a rear elevational view thereof;

FIG. 4 is a left side elevational view thereof;

FIG. 5 is a right side elevational view thereof;

FIG. 6 is a top plan view thereof; and,

FIG. 7 is a bottom plan view thereof.

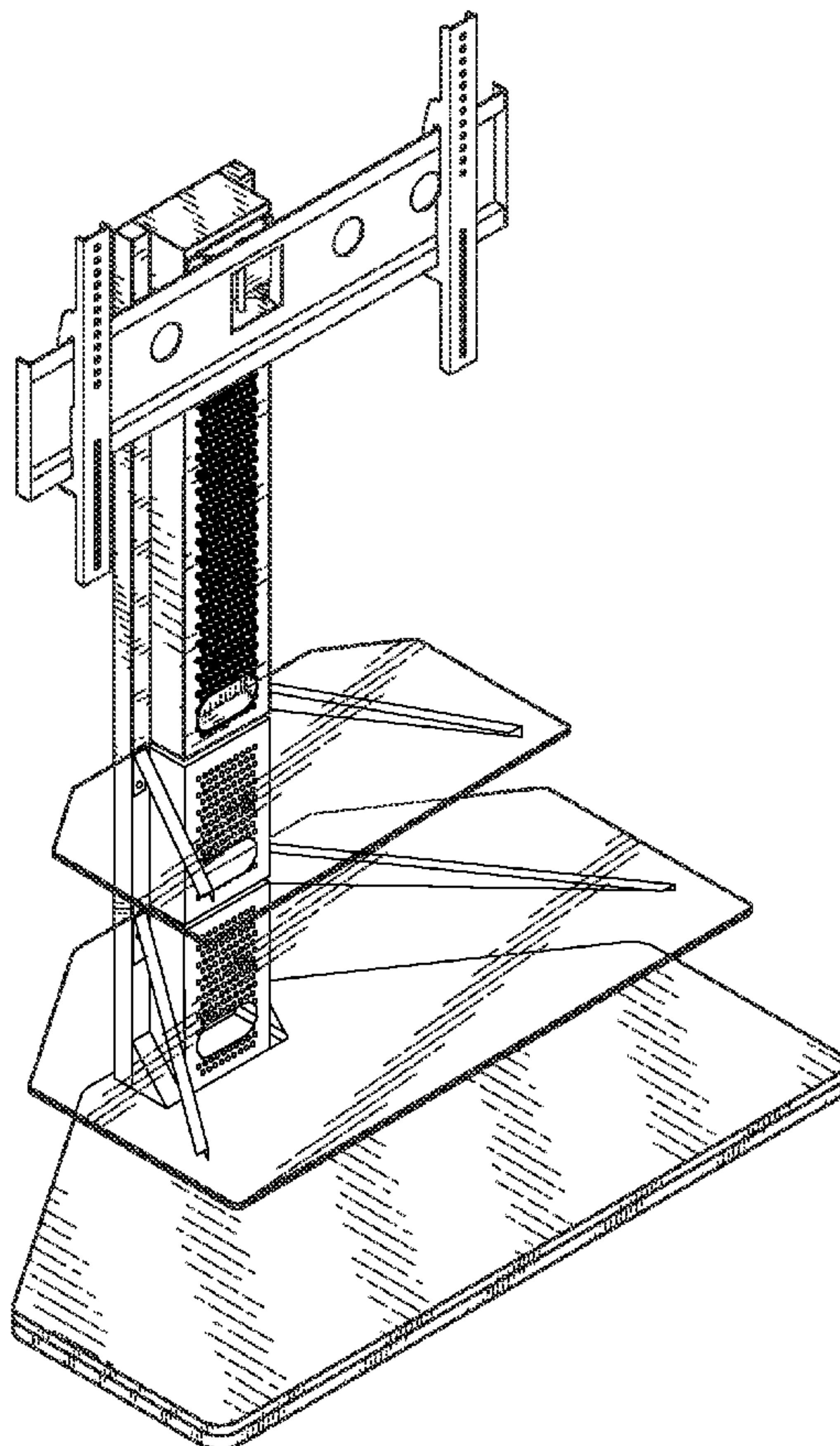
The broken lines in the drawings are for environmental purposes only and form no part of the claimed design.

(56) **References Cited**

U.S. PATENT DOCUMENTS

D474,047 S *	5/2003	Lara	.....	D6/479
D495,163 S *	8/2004	Weatherly	.....	D6/479
D497,060 S *	10/2004	Chang	.....	D6/477
D507,900 S *	8/2005	Sexton	.....	D6/474
D537,658 S *	3/2007	Tung	.....	D6/479
7,195,213 B2 *	3/2007	Weatherly	.....	248/125.1
D539,565 S *	4/2007	Sexton, III	.....	D6/474
D539,566 S *	4/2007	Anderson	.....	D6/474

**1 Claim, 4 Drawing Sheets**



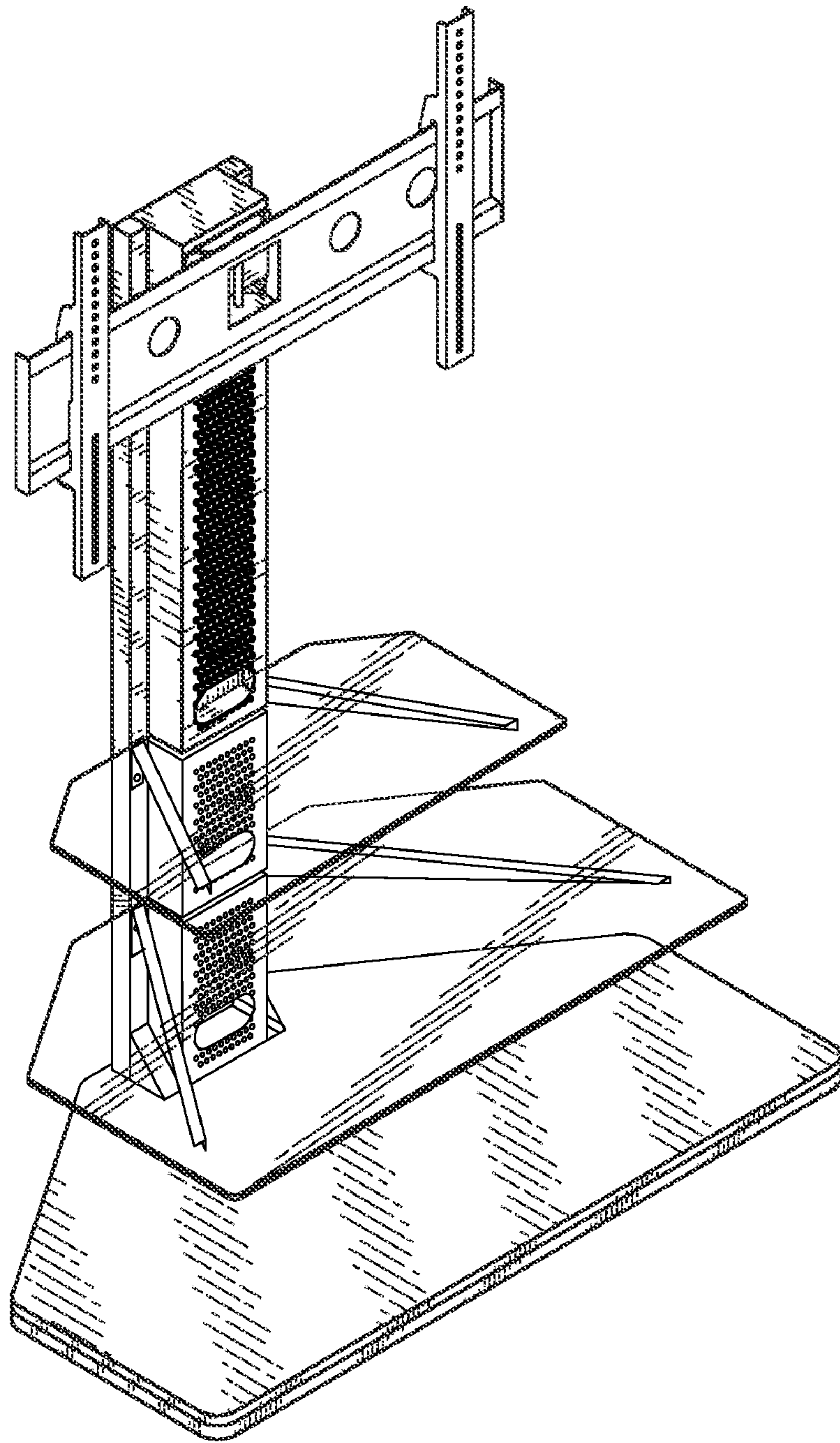


FIG. 1

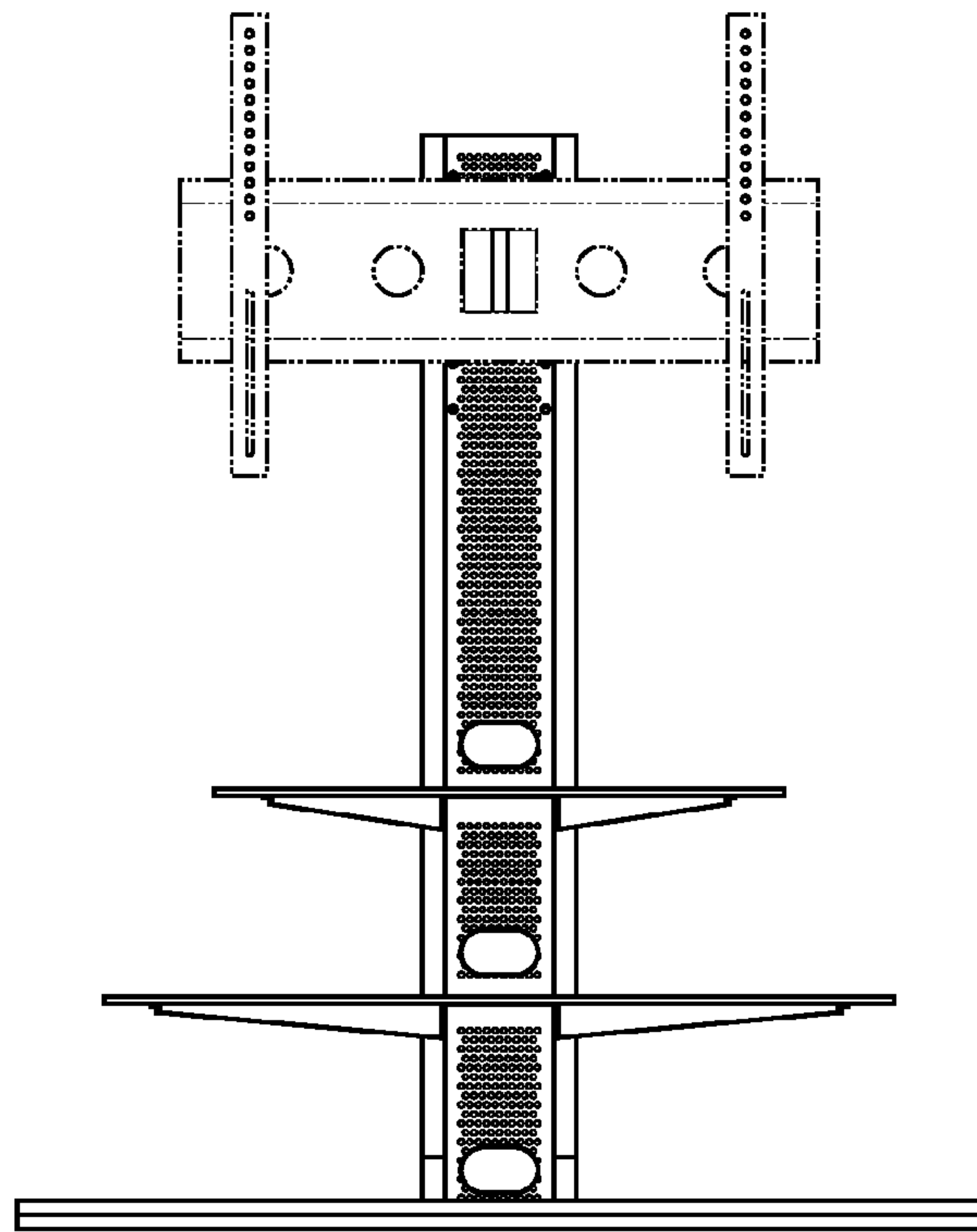


FIG. 2

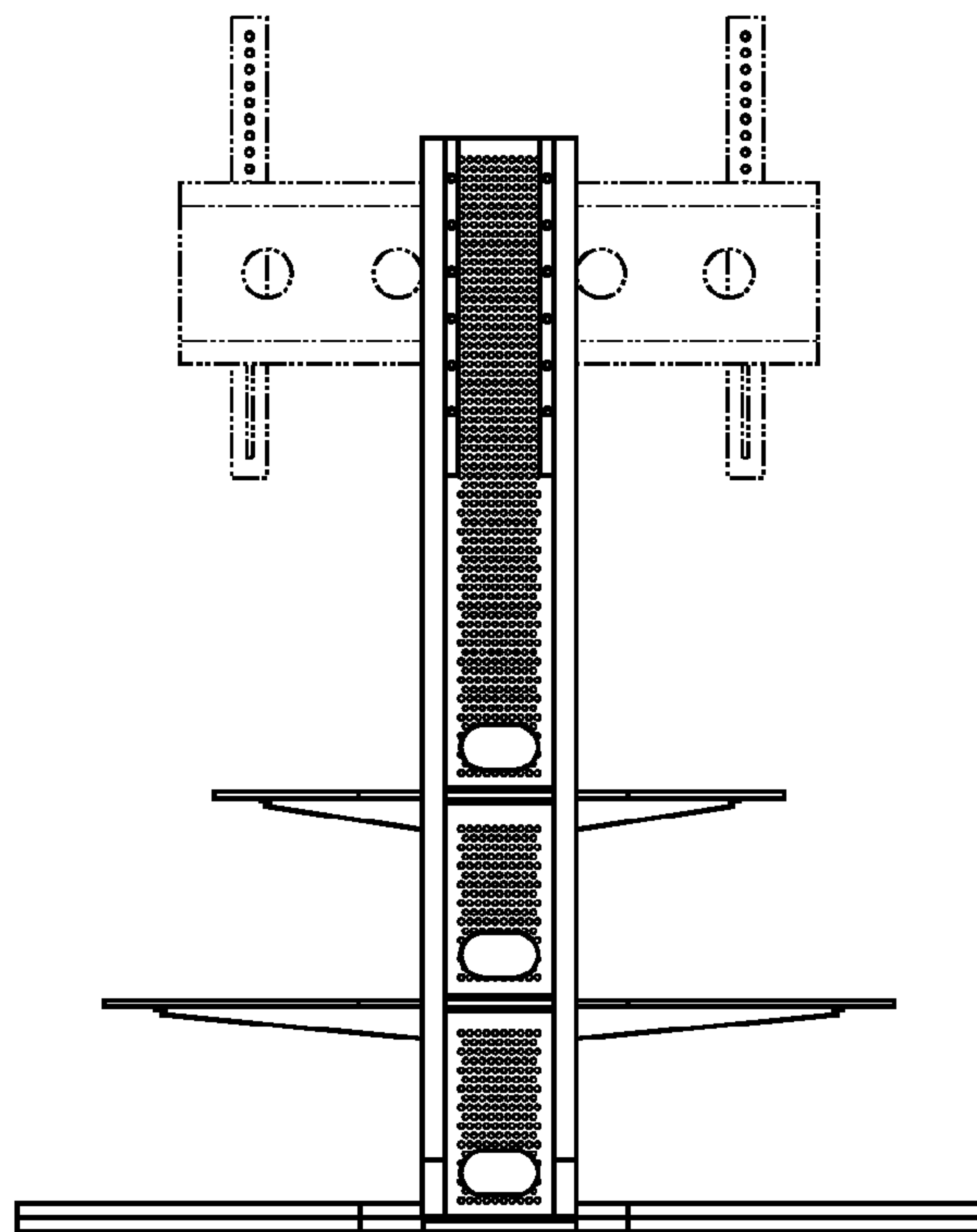


FIG. 3

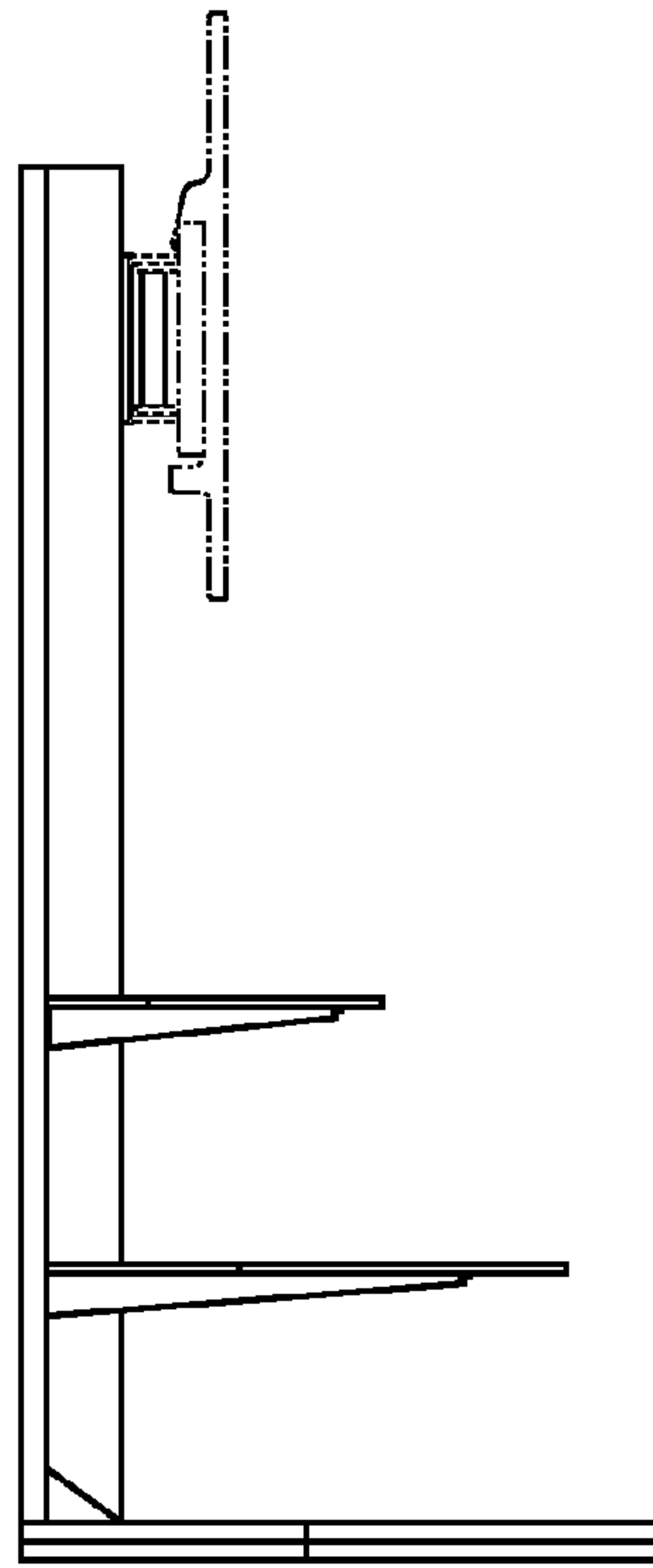


FIG. 4

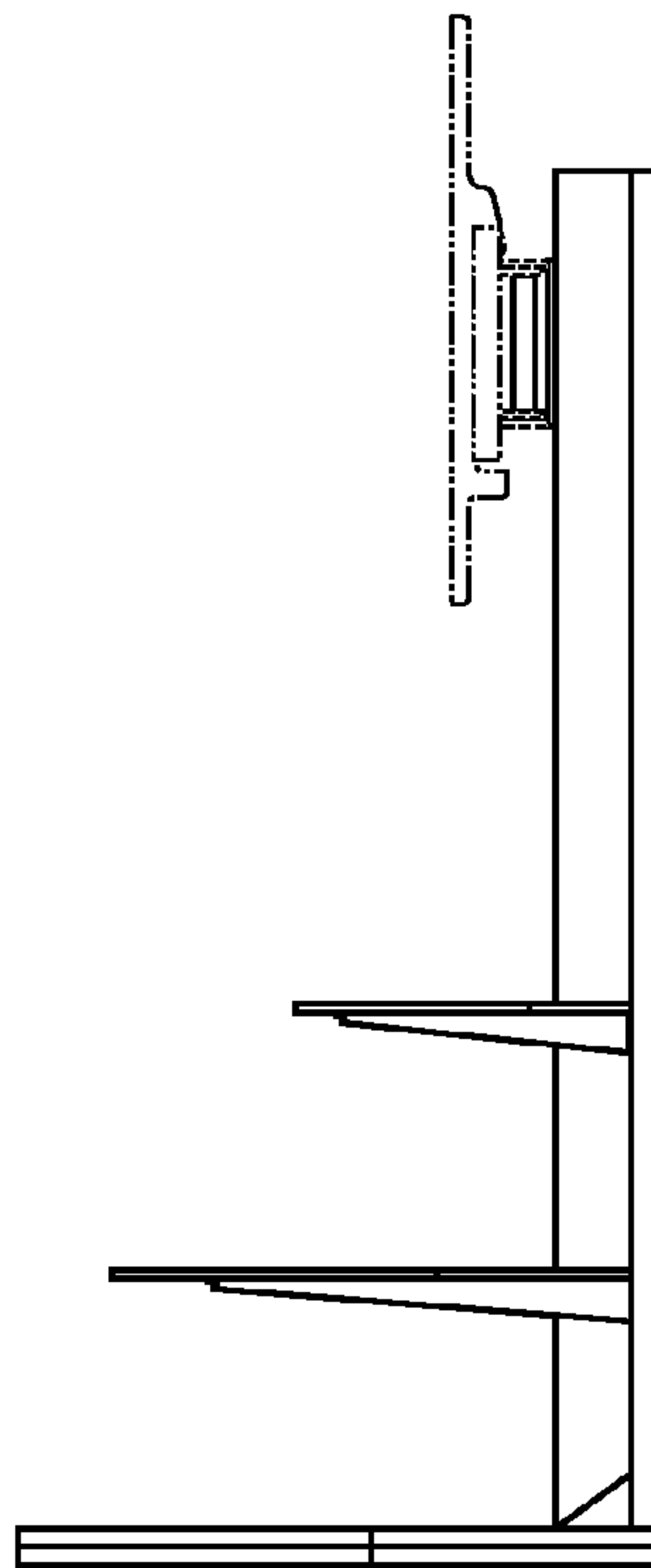


FIG. 5

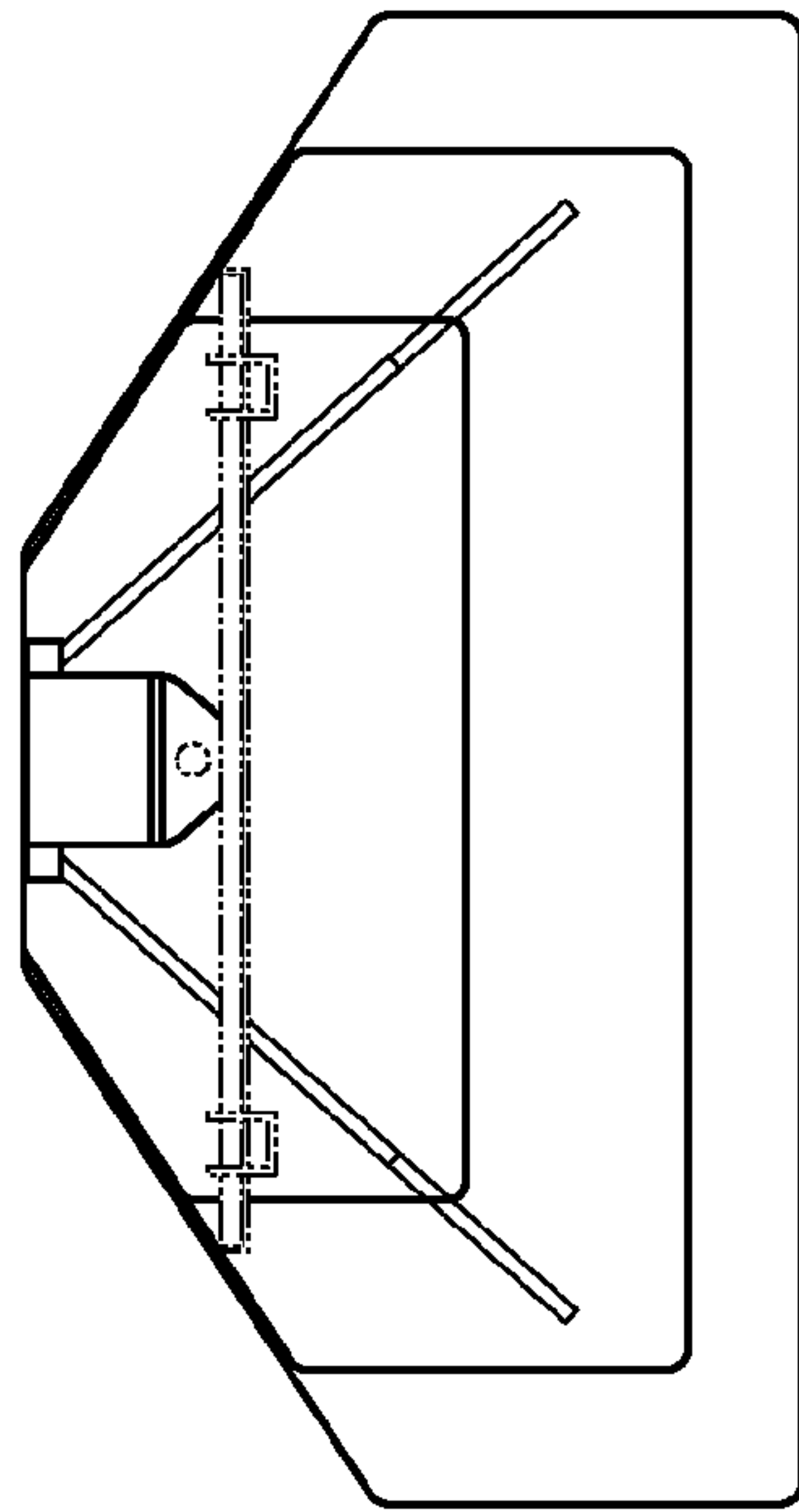


FIG. 6

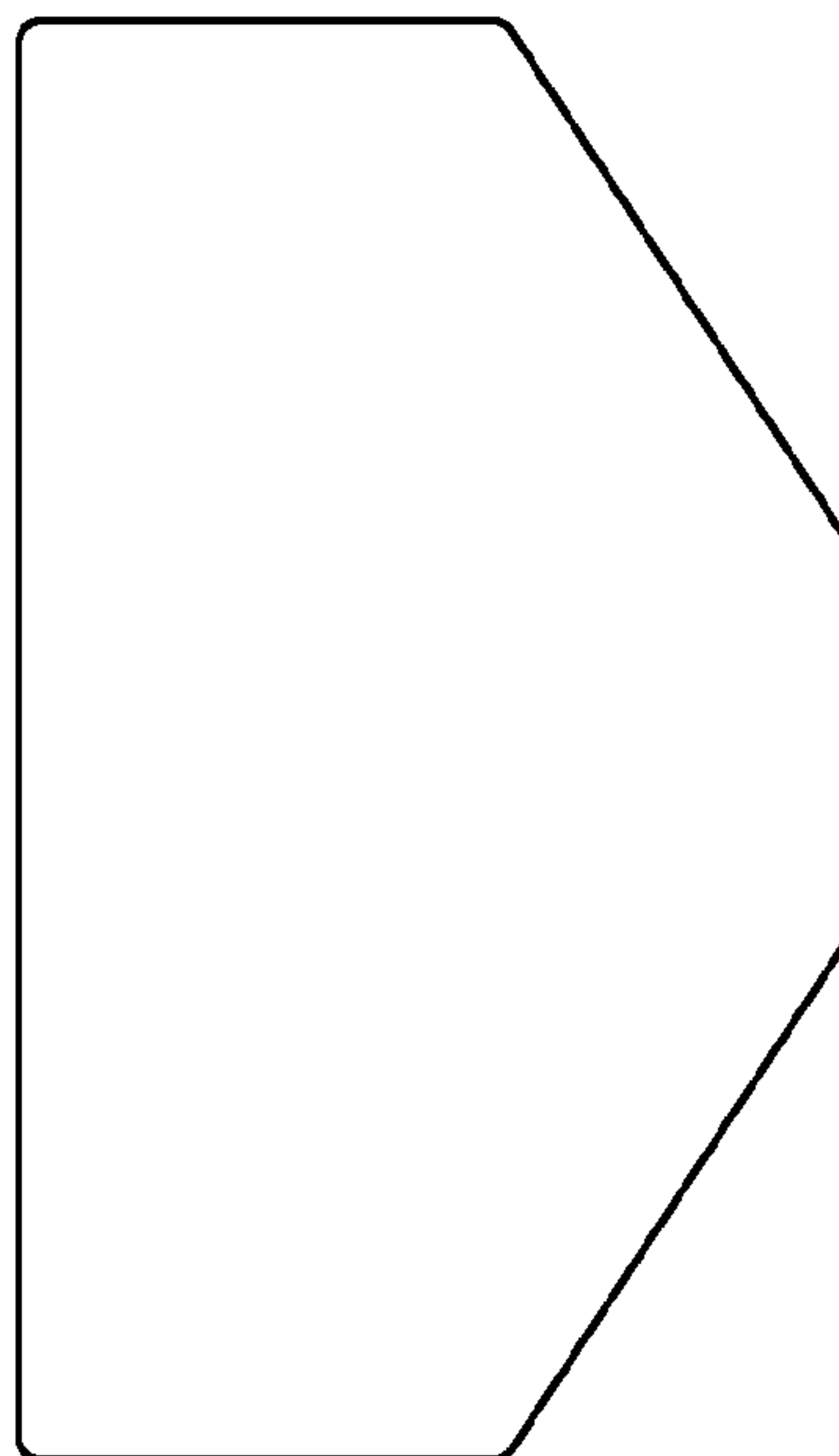


FIG. 7