

US00D593773S

(12) **United States Design Patent**  
**Richardson**

(10) **Patent No.:** **US D593,773 S**

(45) **Date of Patent:** **\*\* Jun. 9, 2009**

(54) **DECK BOX**

D407,237 S \* 3/1999 Stangl ..... D6/440  
D577,511 S \* 9/2008 Anderson et al. .... D6/440

(75) Inventor: **Jed Richardson**, Batavia, IL (US)

\* cited by examiner

(73) Assignee: **Suncast Technologies, LLC**, Palm Beach Gardens, FL (US)

*Primary Examiner*—Mimosa De  
(74) *Attorney, Agent, or Firm*—McHale & Slavin, P.A.

(\*\*) Term: **14 Years**

(57) **CLAIM**

(21) Appl. No.: **29/303,501**

The ornamental design for a deck box, as shown and described.

(22) Filed: **Feb. 11, 2008**

**DESCRIPTION**

(51) **LOC (9) Cl.** ..... **06-04**

(52) **U.S. Cl.** ..... **D6/440**

(58) **Field of Classification Search** ..... D6/432-448;  
D3/272, 273, 294; 217/56, 57; 312/138.1,  
312/204, 257.1, 290, 327

FIG. 1 is a front perspective view of the deck box of the instant invention;

FIG. 2 is a rear perspective view thereof;

FIG. 3 is a front view thereof;

FIG. 4 is a rear view thereof;

FIG. 5 is a left side view thereof;

FIG. 6 is a right side view thereof; and,

FIG. 7 is a top view thereof.

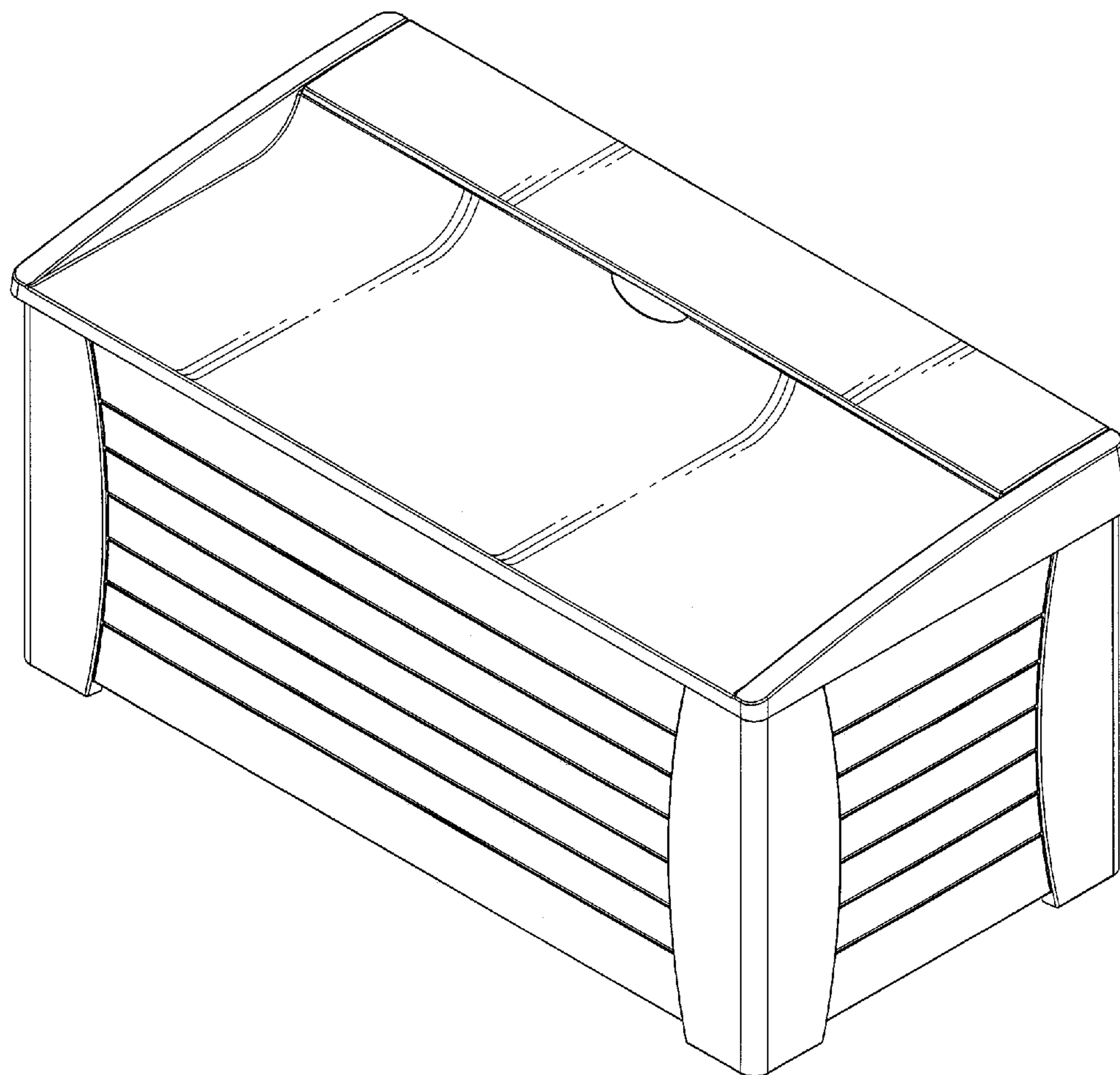
See application file for complete search history.

(56) **References Cited**

**U.S. PATENT DOCUMENTS**

D307,985 S \* 5/1990 Hoff ..... D6/440  
D349,616 S \* 8/1994 Keller ..... D6/440  
D389,646 S \* 1/1998 Sankey et al. .... D3/294

**1 Claim, 6 Drawing Sheets**



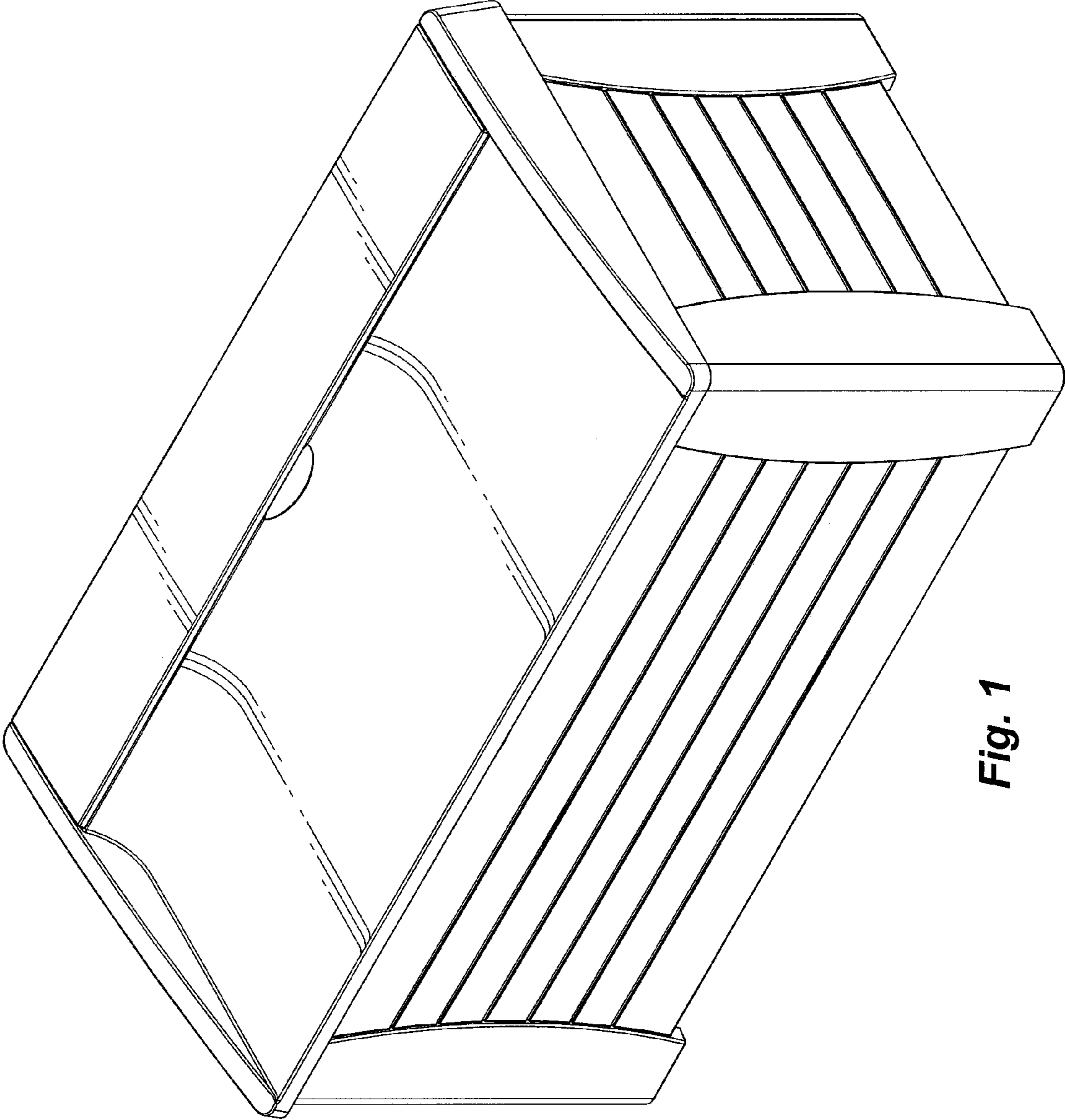


Fig. 1

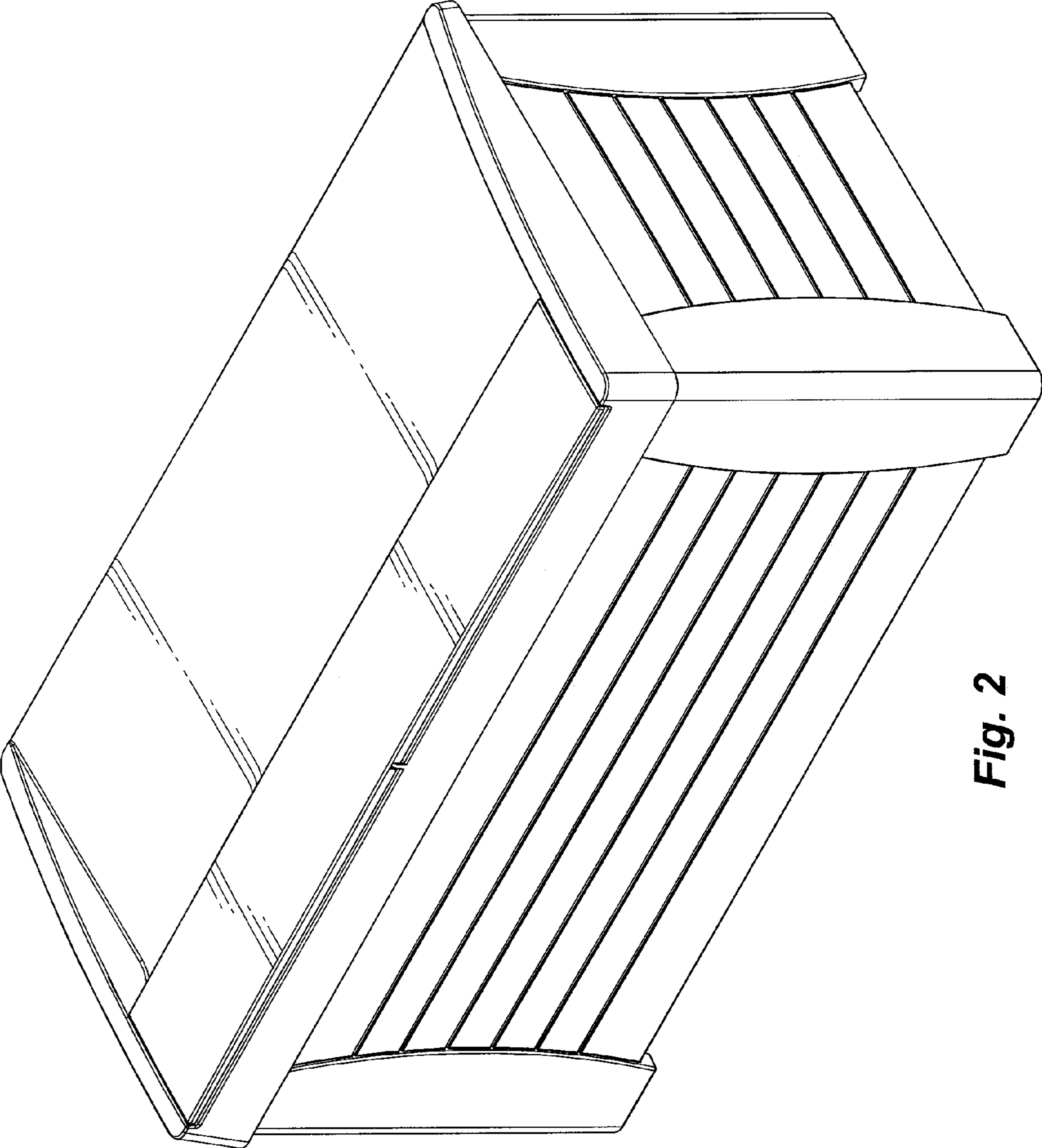
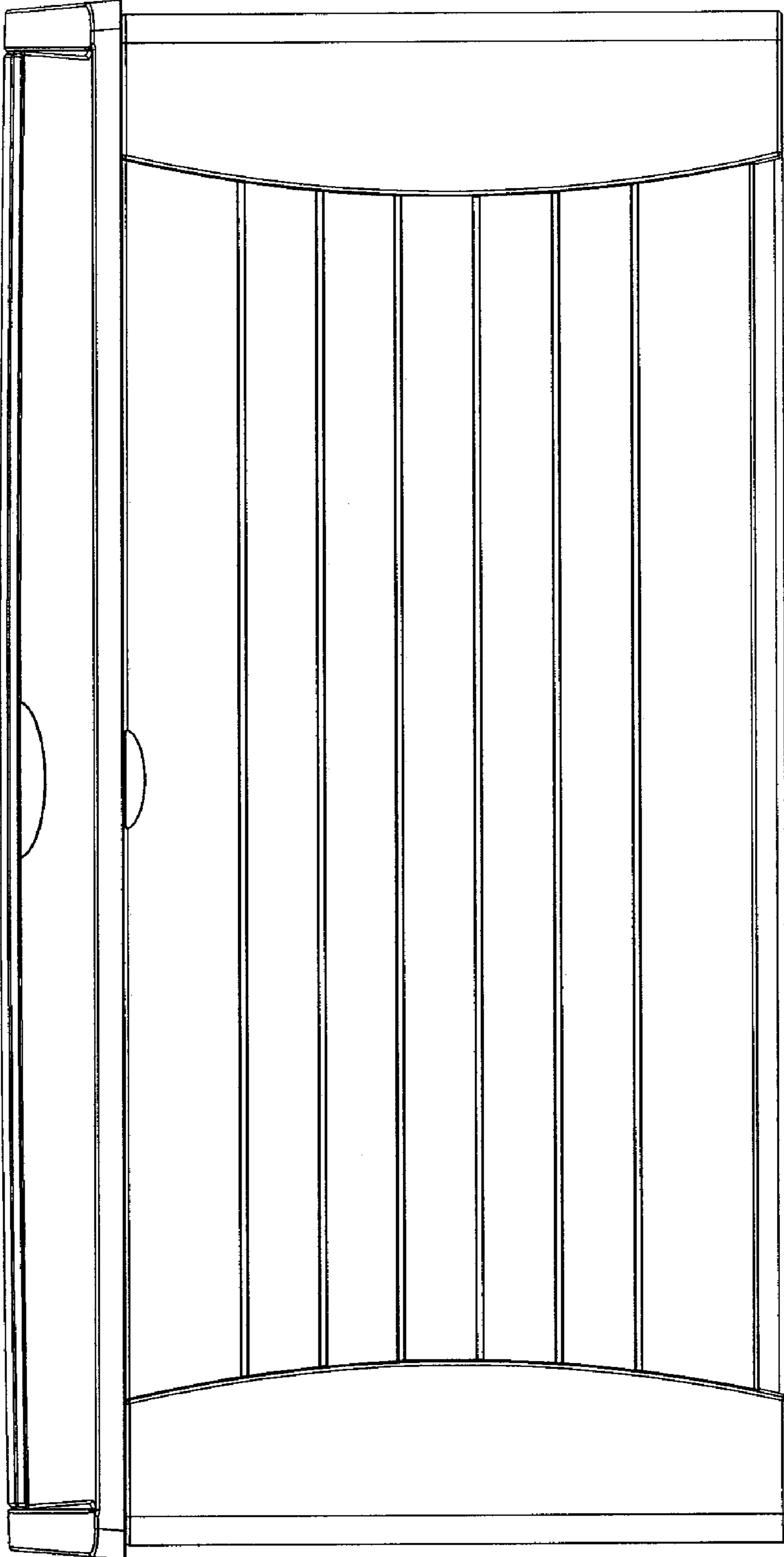
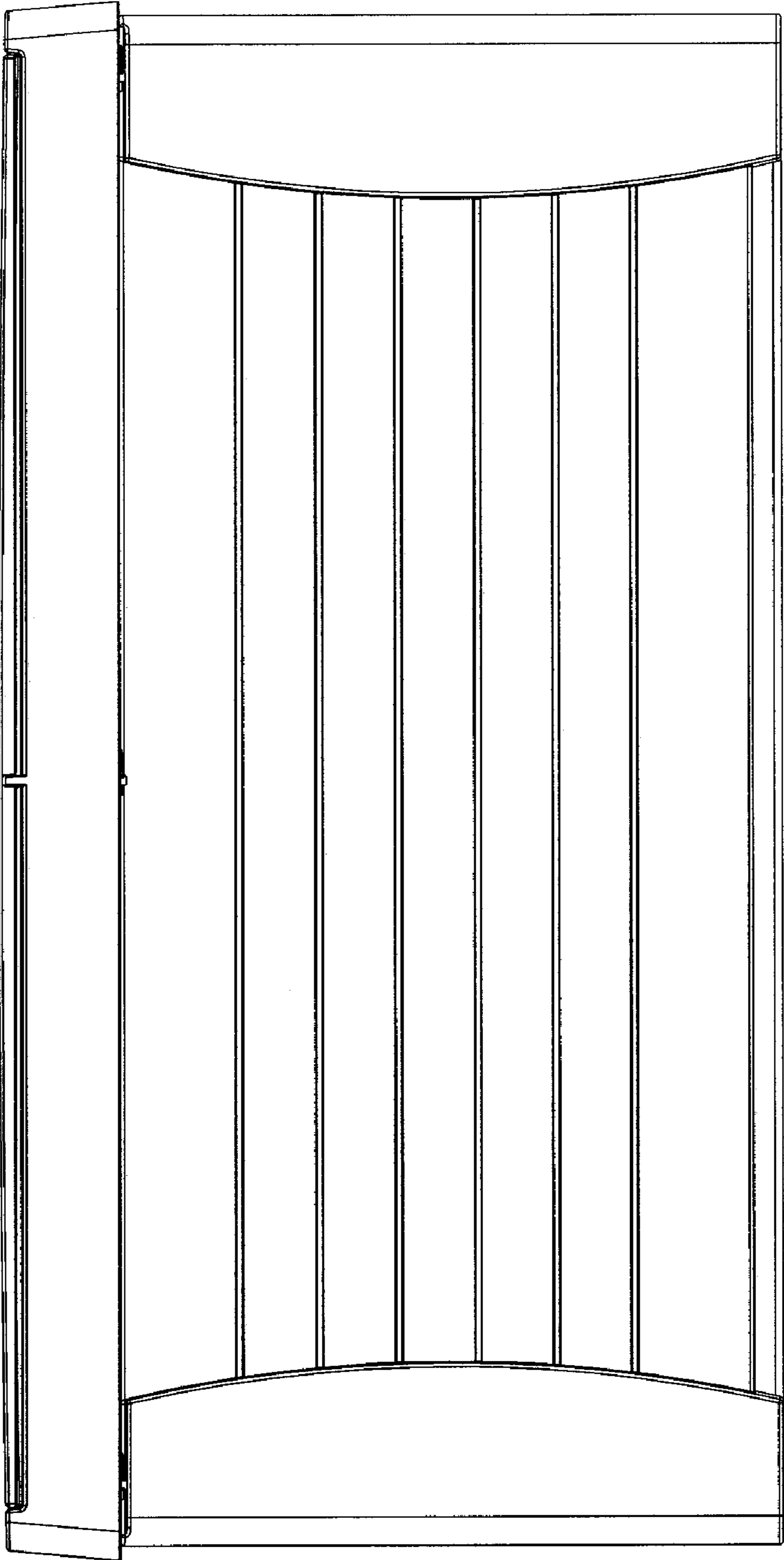


Fig. 2



*Fig. 3*



*Fig. 4*

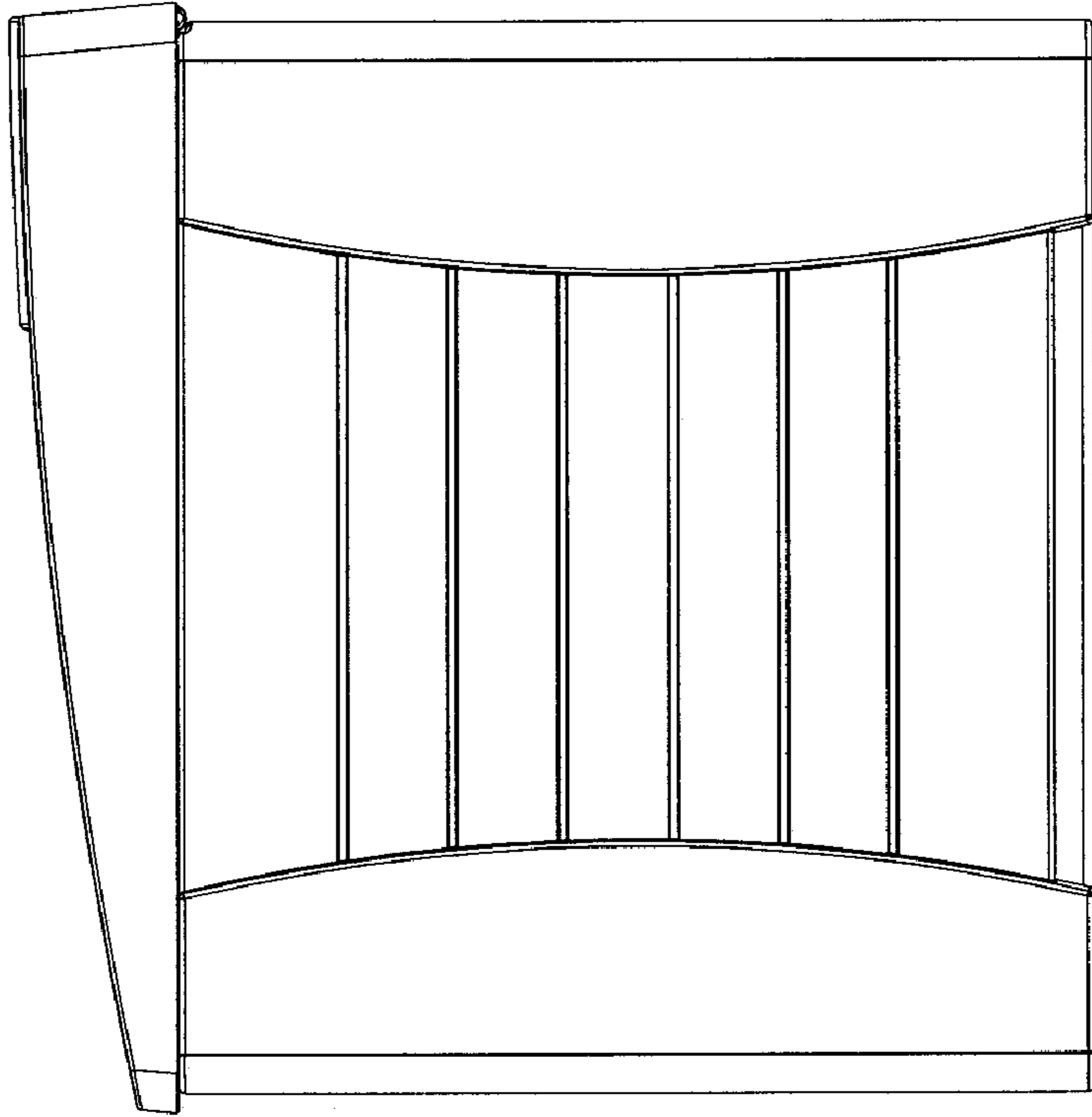


Fig. 6

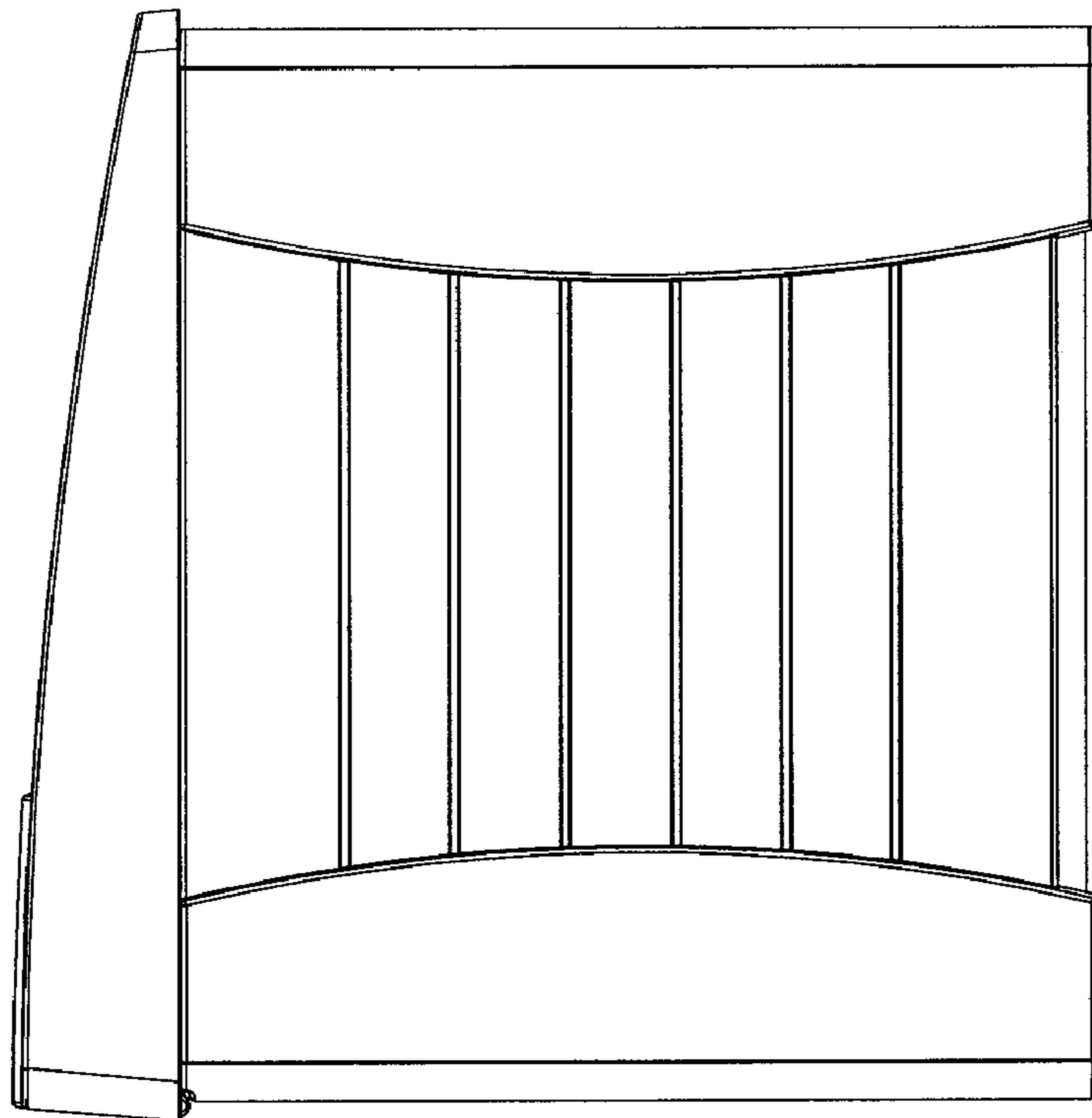
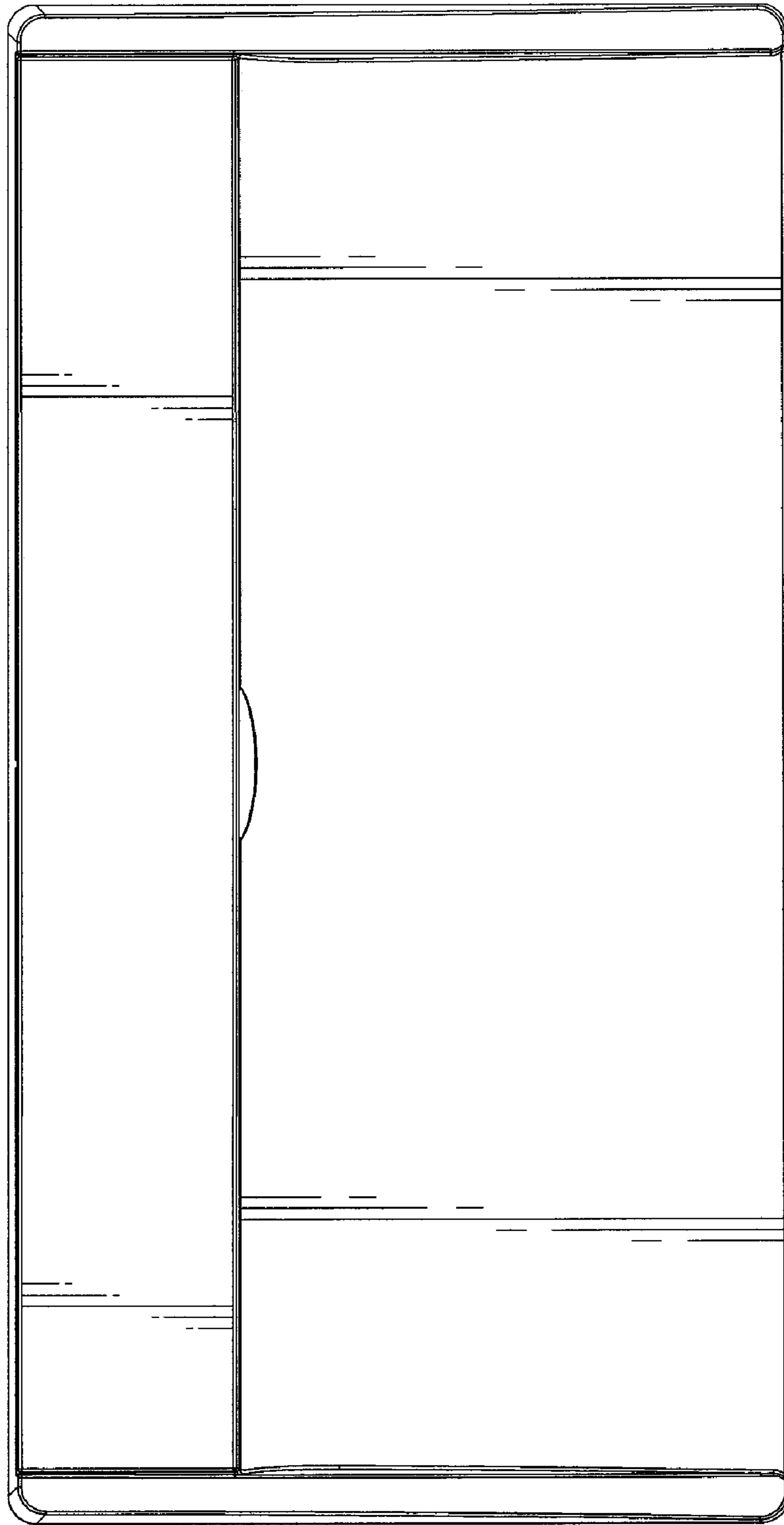


Fig. 5



**Fig. 7**