



US00D593770S

(12) **United States Design Patent**
Marrone

(10) **Patent No.:** **US D593,770 S**

(45) **Date of Patent:** **** Jun. 9, 2009**

(54) **ROLL TOP TOUCH REGULAR**

(75) Inventor: **Deborah Marrone**, Maasmechelen (BE)

(73) Assignee: **Brabantia Nederland B.V.**, Waalre (NL)

(**) Term: **14 Years**

(21) Appl. No.: **29/306,520**

(22) Filed: **Apr. 10, 2008**

(30) **Foreign Application Priority Data**

Oct. 10, 2007 (EM) 000805593-0001

(51) **LOC (9) Cl.** **06-04**

(52) **U.S. Cl.** **D6/433**

(58) **Field of Classification Search** D6/396,
D6/397, 432-448; 312/138.1, 183, 204,
312/213, 257.1, 297; D7/609; D19/75, 76,
D19/86; 206/425, 459.5

See application file for complete search history.

(56) **References Cited**

U.S. PATENT DOCUMENTS

D156,062 S * 11/1949 Ward D6/433

D248,567 S * 7/1978 Ward D6/433

D276,772 S * 12/1984 Snediker D6/433

D286,126 S * 10/1986 Driscoll D7/609

D296,276 S * 6/1988 Flaherty D6/433

D320,321 S * 10/1991 Terrell D6/433

D337,901 S * 8/1993 van den Nieuwelaar D6/433

D341,274 S * 11/1993 van den Nieuwelaar D6/433

D341,275 S * 11/1993 van den Nieuwelaar D6/433

D343,641 S * 1/1994 Hafendehl et al. D19/75

D367,776 S * 3/1996 Lohroff D6/433

* cited by examiner

Primary Examiner—Mimosa De

(74) *Attorney, Agent, or Firm*—Abelman, Frayne & Schwab

(57) **CLAIM**

The ornamental design for a roll top touch regular, as shown and described.

DESCRIPTION

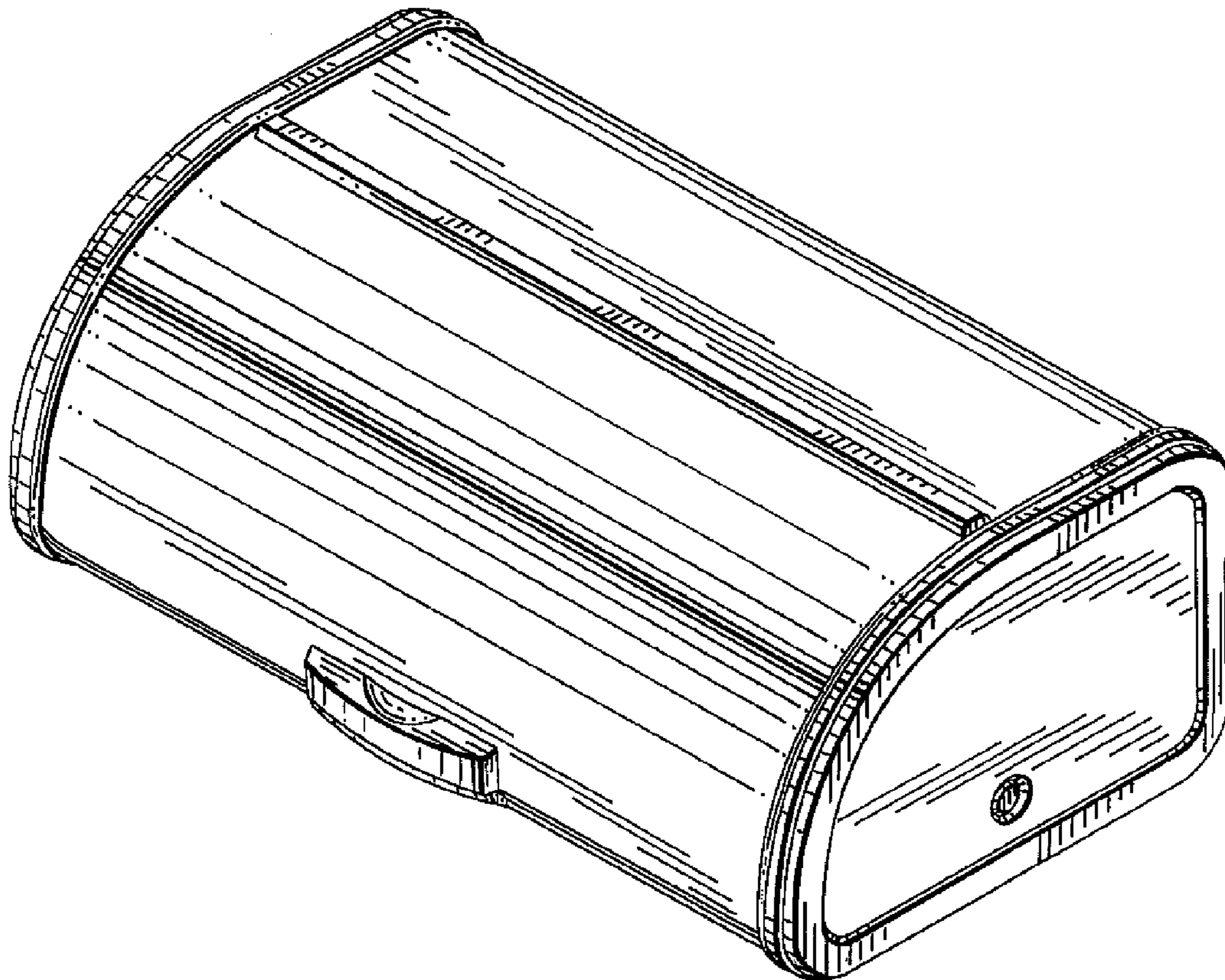
FIG. 1 is a top front right side perspective view of a roll top touch regular showing my new design.

FIG. 2 is a right side elevational view thereof, with the left side being a mirror image thereof.

FIG. 3 is a top plan view thereof; and,

FIG. 4 is a front elevational view thereof.

1 Claim, 2 Drawing Sheets



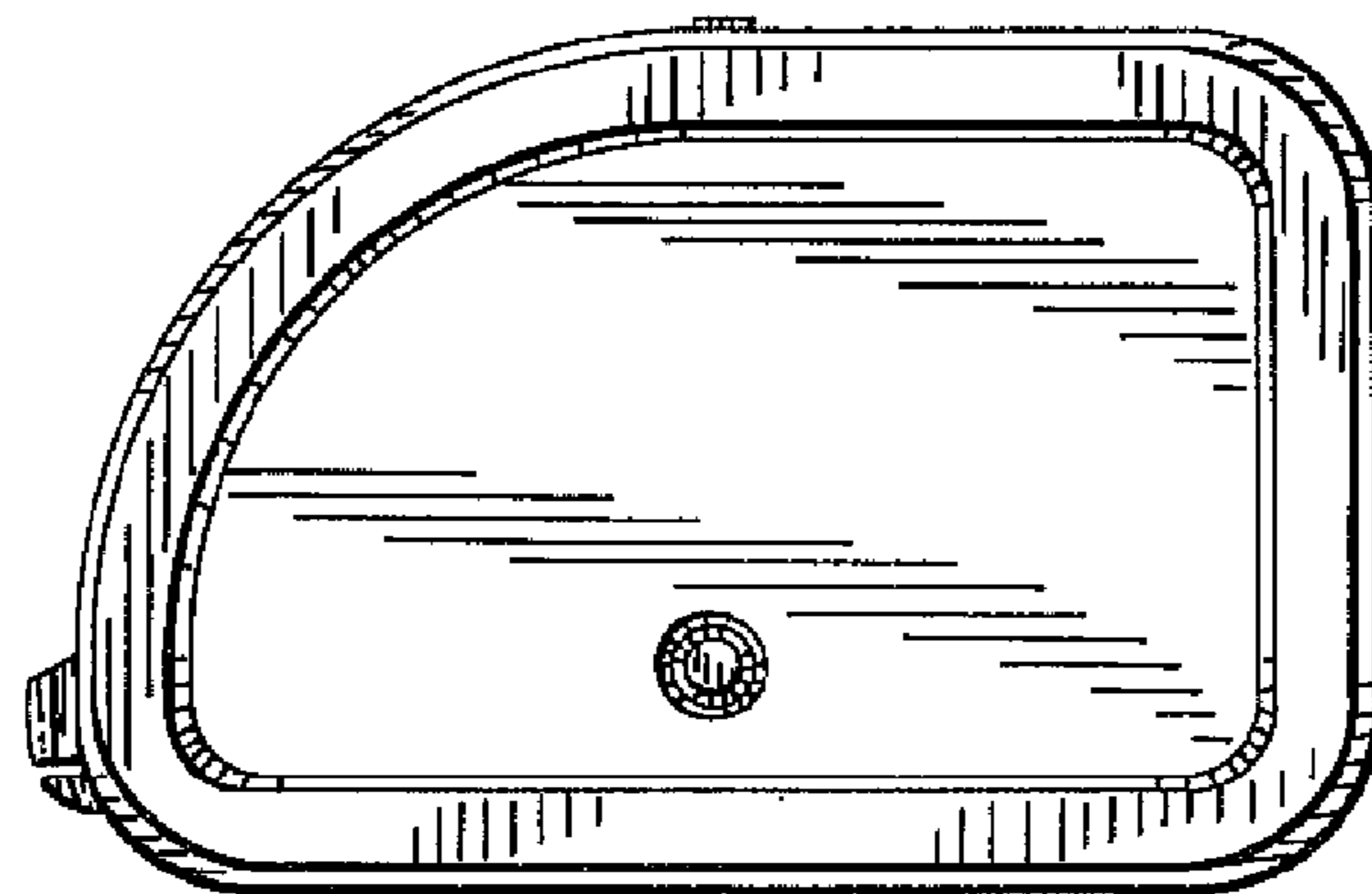
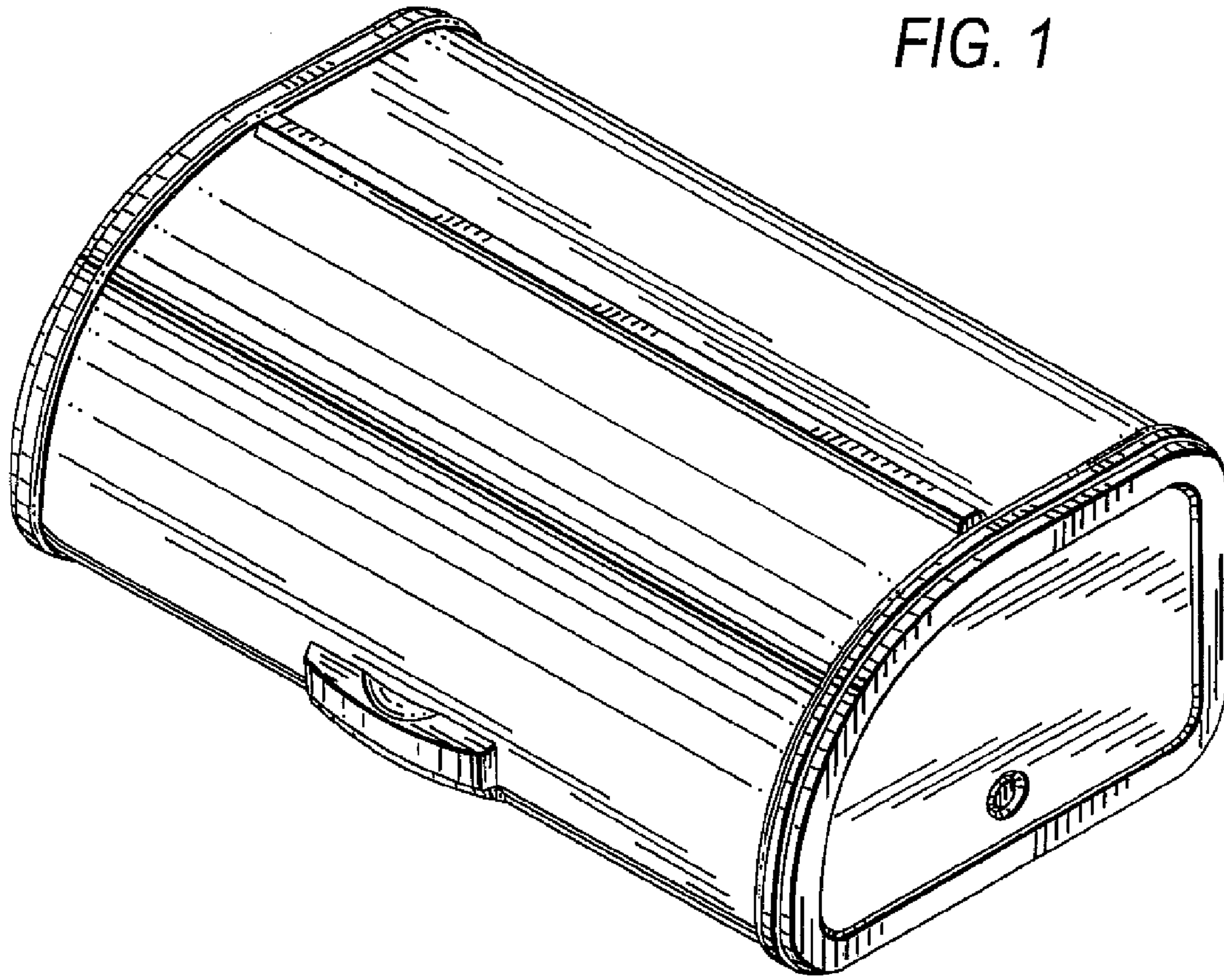


FIG. 2

FIG. 3

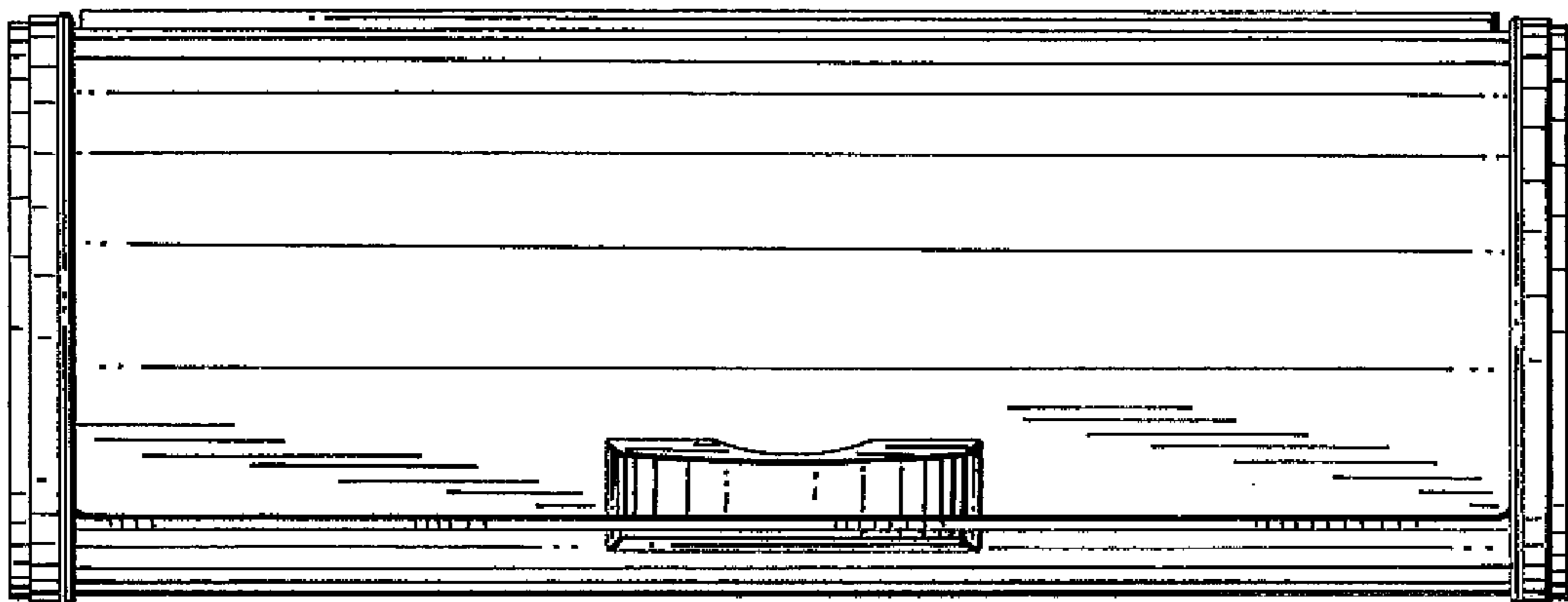
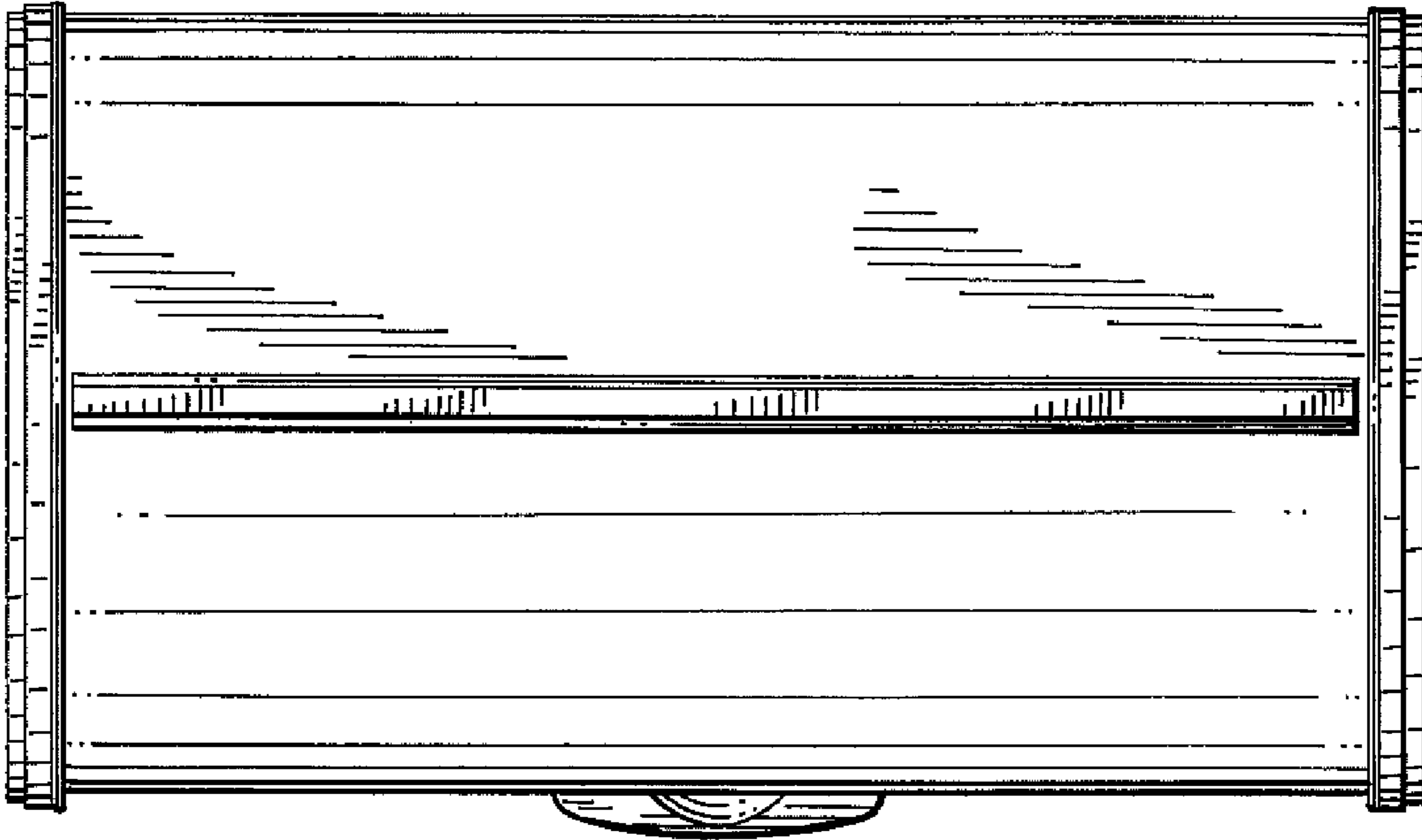


FIG. 4