



US00D593769S

(12) **United States Design Patent**  
**Jeup**

(10) **Patent No.:** **US D593,769 S**

(45) **Date of Patent:** **\*\* Jun. 9, 2009**

(54) **DESK**

*Primary Examiner*—Janice E Seeger

(75) Inventor: **Joseph Jeup**, Hudsonville, MI (US)

(74) *Attorney, Agent, or Firm*—Heslin Rothenberg Farley & Mesiti P.C.

(73) Assignee: **Donghia, Inc.**, Mount Vernon, NY (US)

(\*\*) Term: **14 Years**

(57) **CLAIM**

(21) Appl. No.: **29/319,475**

The ornamental design for a desk, as shown and described.

(22) Filed: **Jun. 10, 2008**

(51) **LOC (9) Cl.** ..... **06-03**

(52) **U.S. Cl.** ..... **D6/430; D6/480**

(58) **Field of Classification Search** ..... D6/480–489,  
D6/495–499, 429–430, 477, 479, 349, 436;  
108/153.1, 155, 156, 161, 50.01, 50.02, 69,  
108/77, 79, 80; 248/188, 188.1, 188.8  
See application file for complete search history.

**DESCRIPTION**

FIG. 1 is a perspective view of a table comprising the new design;

FIG. 2 is a top view thereof;

FIG. 3 is a front view thereof;

FIG. 4 is a right side view thereof, where the left side view is a mirror image thereof; and,

FIG. 5 is a front view of an alternative embodiment of the table, having an indeterminate width, which is the sole difference between it and FIGS. 1–4.

The broken line depiction is for illustrative purposes only and forms no part of the claimed invention.

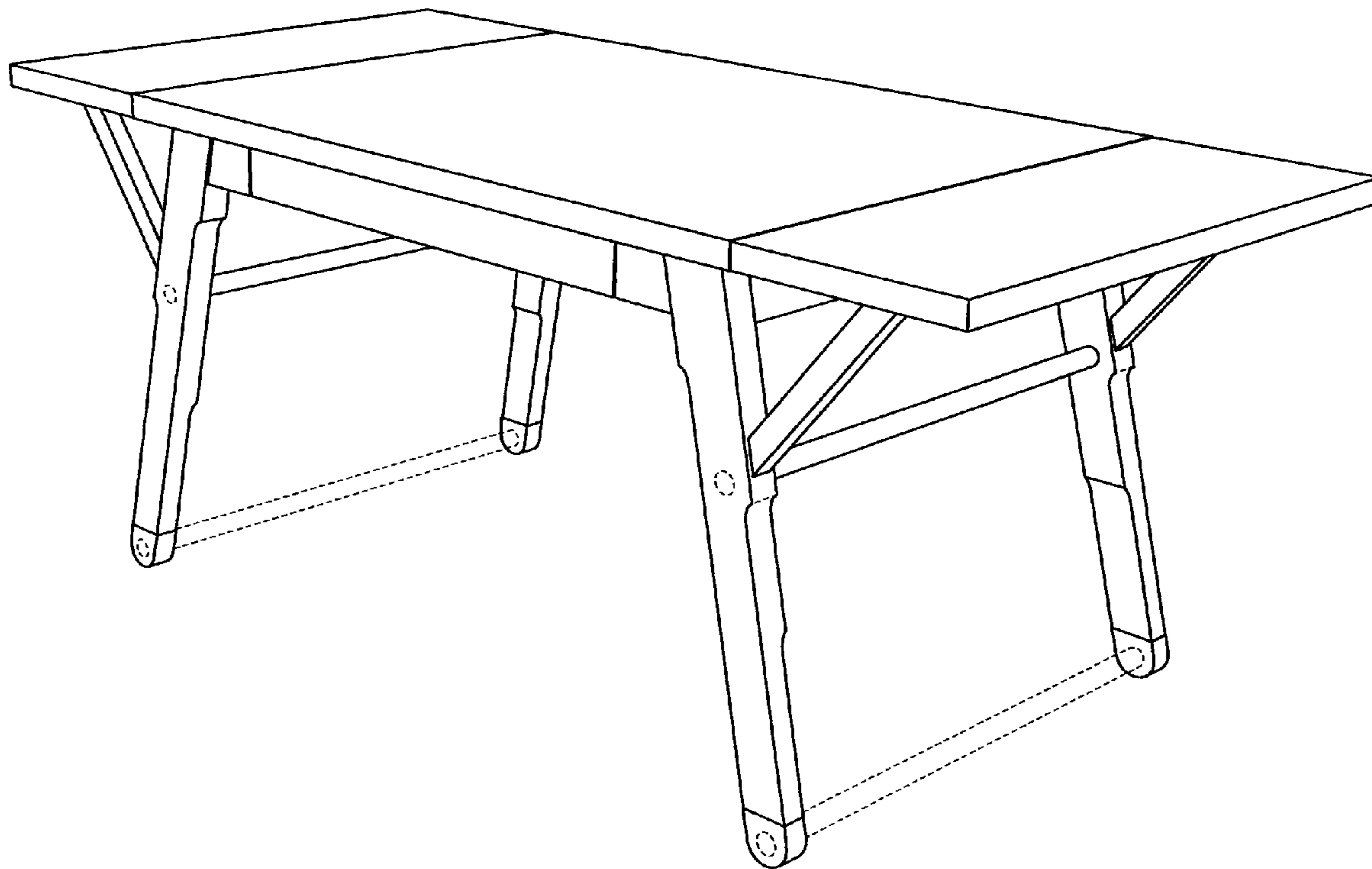
(56) **References Cited**

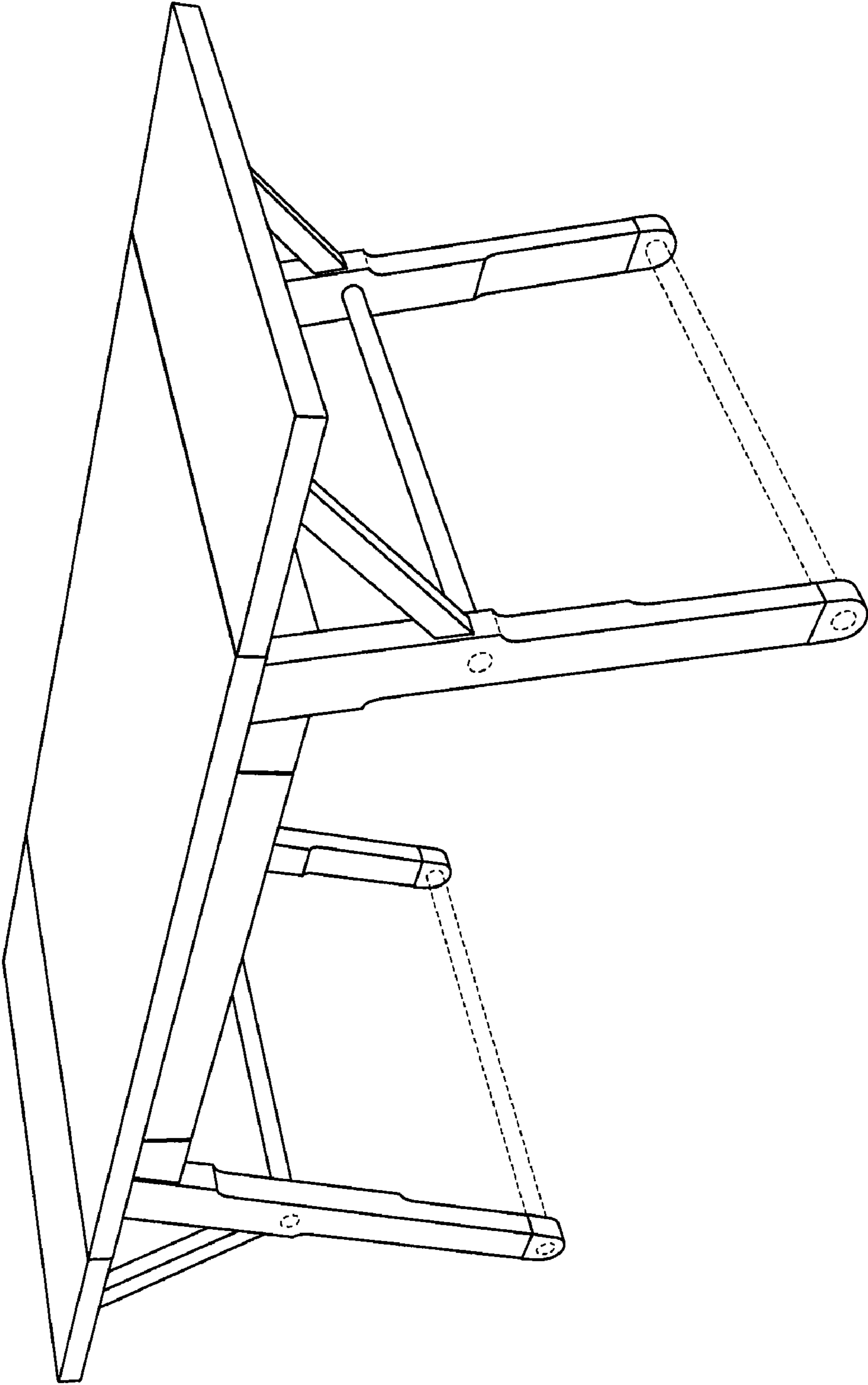
U.S. PATENT DOCUMENTS

D90,849 S *	10/1933	Kayser	.....	D6/430
D137,684 S *	4/1944	Kramer	.....	D6/480
D404,593 S *	1/1999	Oltmans	.....	D6/480
6,568,308 B2 *	5/2003	Ricker	.....	108/69
2009/0000522 A1 *	1/2009	Collins et al.	.....	108/12

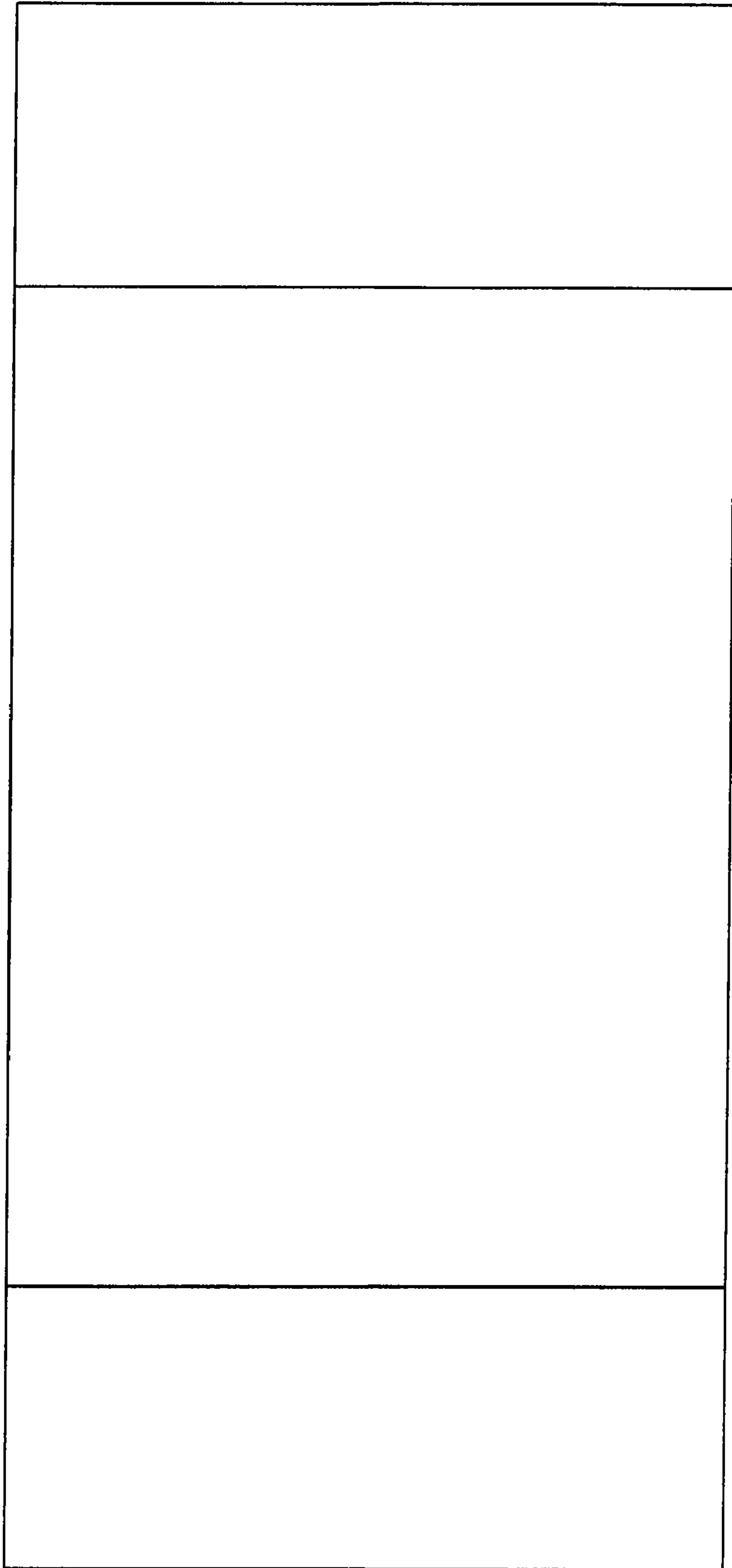
\* cited by examiner

**1 Claim, 5 Drawing Sheets**

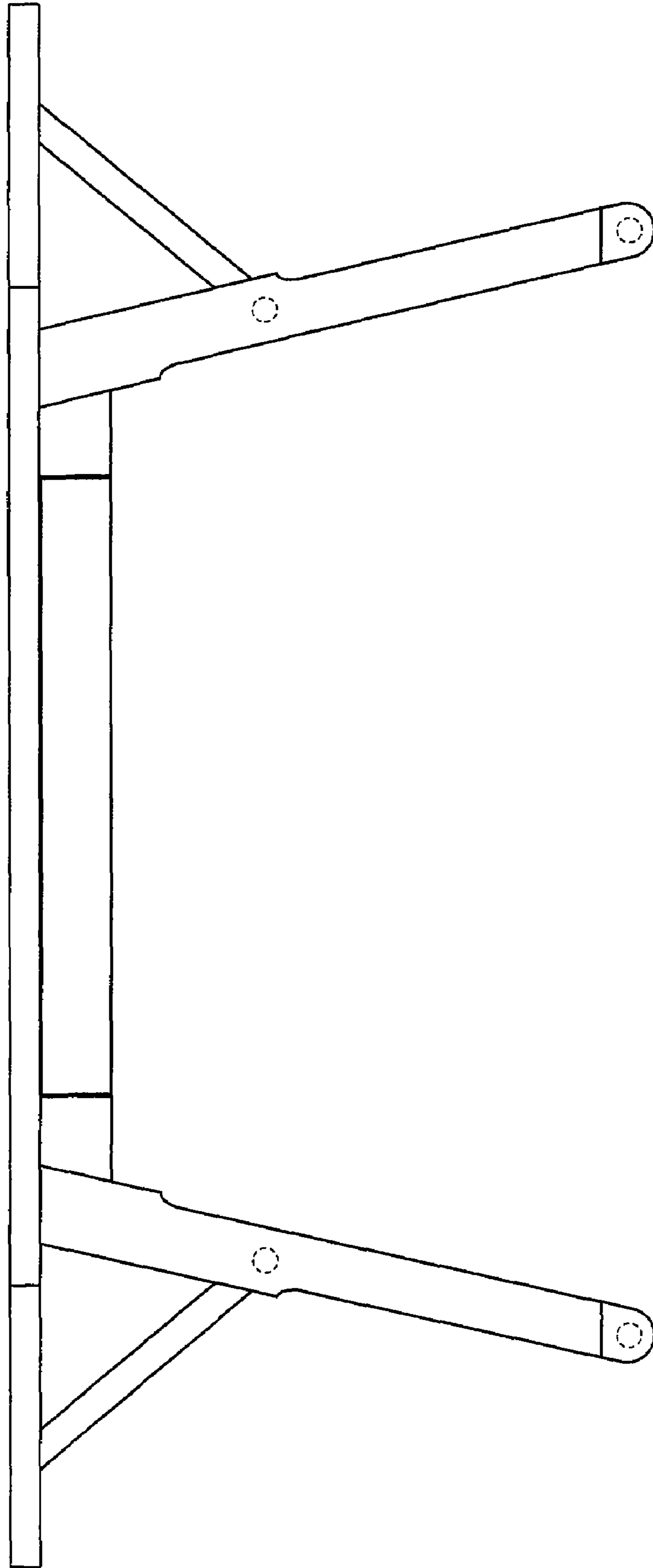




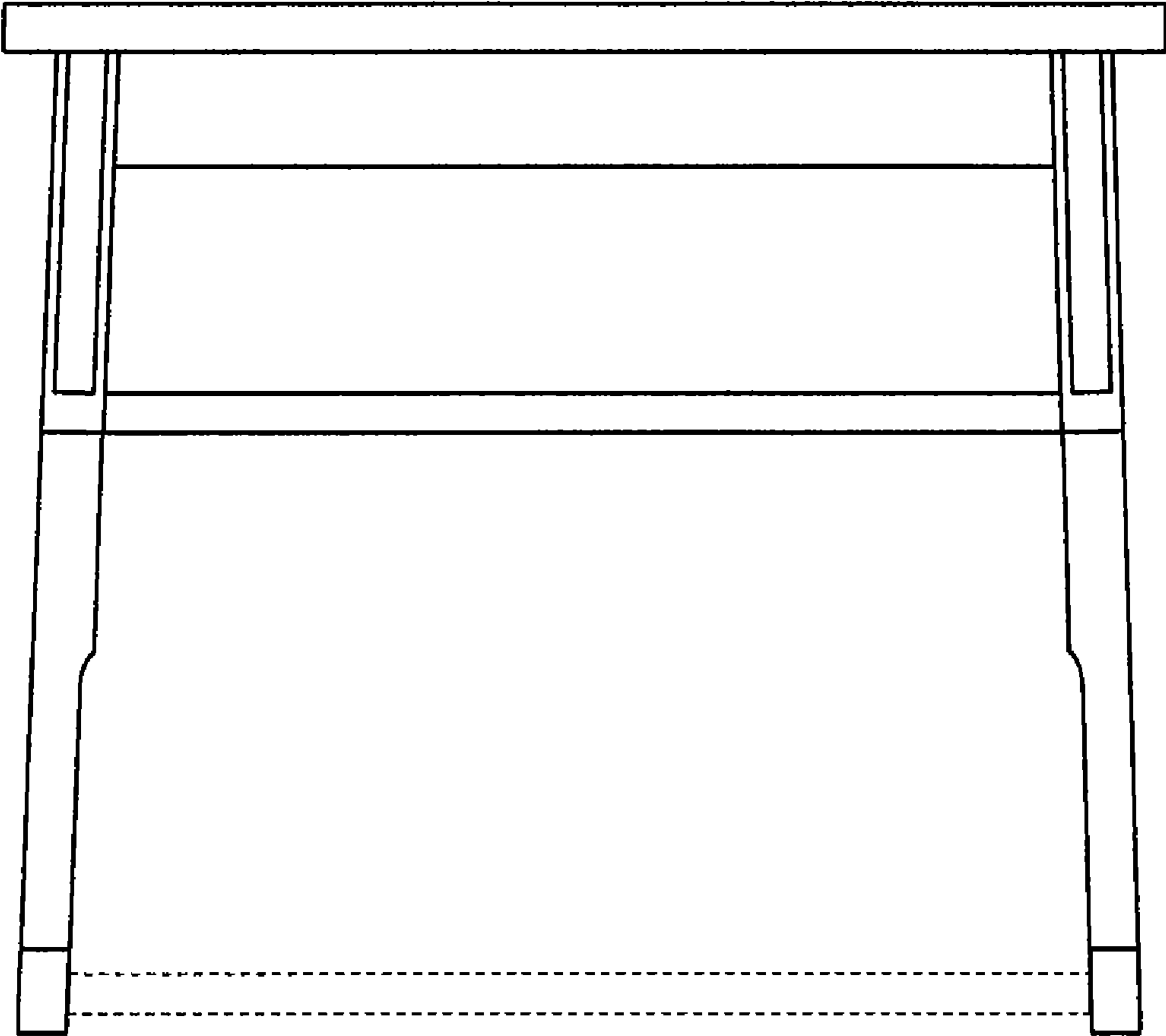
**FIG. 1**



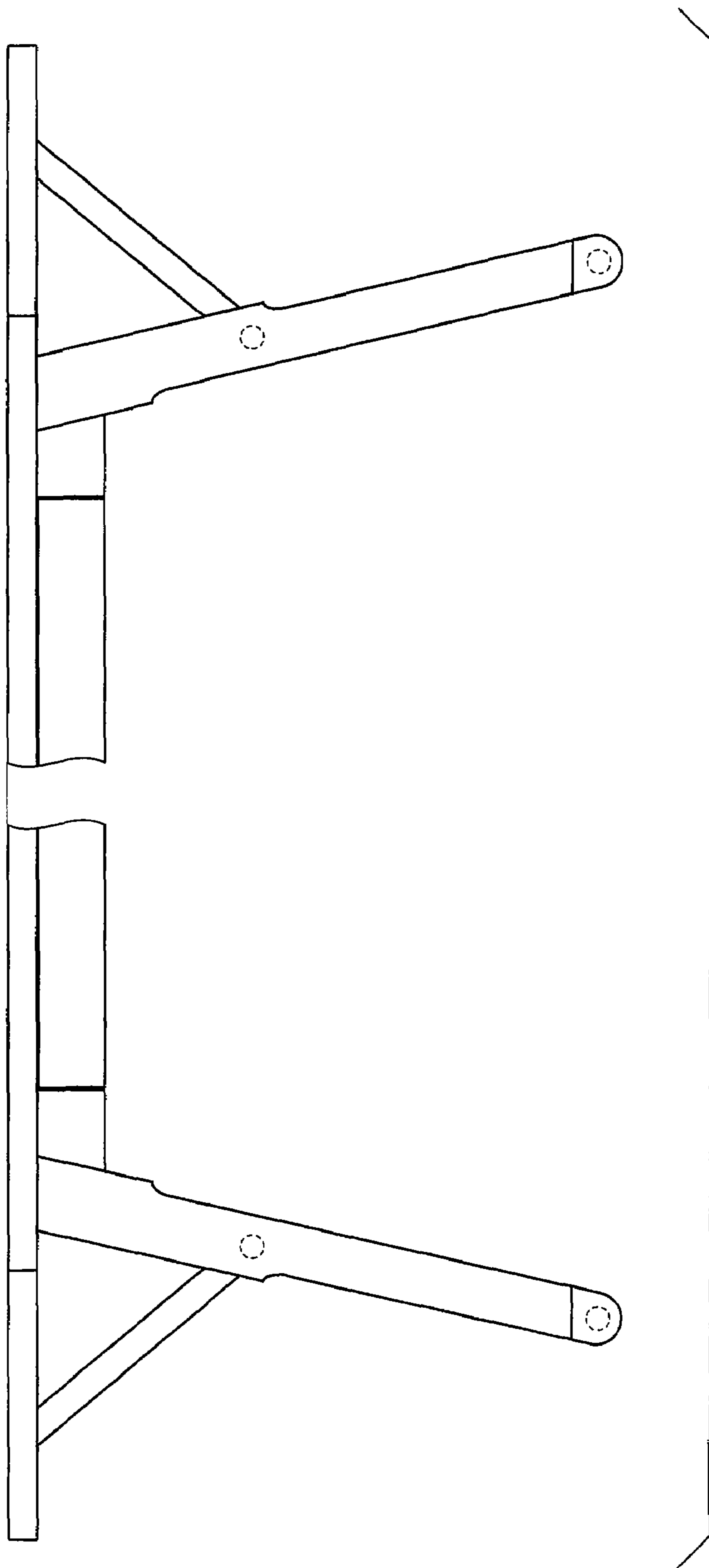
**FIG. 2**



**FIG. 3**



**FIG. 4**



**FIG. 5**