

US00D593768S

(12) **United States Design Patent**  
**Lee**

(10) **Patent No.:** **US D593,768 S**  
(45) **Date of Patent:** **\*\* Jun. 9, 2009**

(54) **BOOK AND MAGAZINE READING SUPPORT**

(76) Inventor: **Gary A. Lee**, 129 Peeples Rd., Pomona Park, FL (US) 32181

(\*\*) Term: **14 Years**

(21) Appl. No.: **29/307,749**

(22) Filed: **May 12, 2008**

(51) **LOC (9) Cl.** ..... **06-03**

(52) **U.S. Cl.** ..... **D6/419; D6/397**

(58) **Field of Classification Search** ..... D6/397,  
D6/419, 420, 429, 475, 476; 108/150; 248/158,  
248/159, 444.1, 454, 460; 312/233

See application file for complete search history.

(56) **References Cited**

**U.S. PATENT DOCUMENTS**

D132,166 S *	4/1942	Cloutier	.....	D6/420
D171,645 S *	3/1954	Fraley	.....	D6/462
D184,551 S *	3/1959	Weinman	.....	D6/476
D278,290 S *	4/1985	Morton, Jr.	.....	D6/430

D285,507 S *	9/1986	Middlemist	.....	D6/419
5,080,315 A *	1/1992	Tucker-Schafer	.....	248/441.1

\* cited by examiner

*Primary Examiner*—Janice E Seeger

(74) *Attorney, Agent, or Firm*—William M. Hobby, III

(57) **CLAIM**

The ornamental design for a book and magazine reading support, as shown and described.

**DESCRIPTION**

FIG. 1 is a front and right side perspective of my new book and magazine reading support;

FIG. 2 is a front elevation;

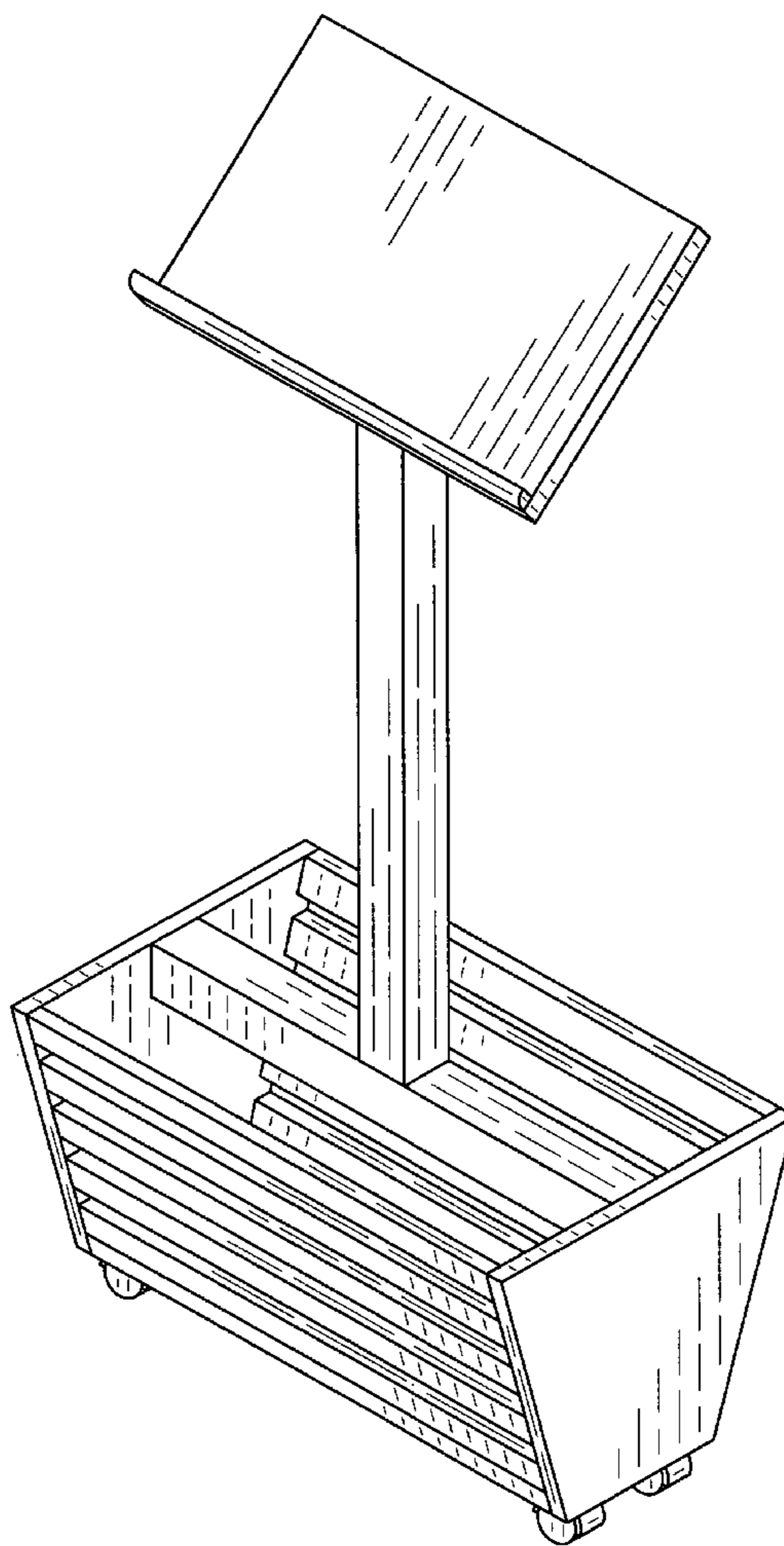
FIG. 3 is a rear elevation;

FIG. 4 is a right side elevation, the left side elevation being identical thereto;

FIG. 5 is a top plan view; and,

FIG. 6 is a bottom plan view.

**1 Claim, 4 Drawing Sheets**



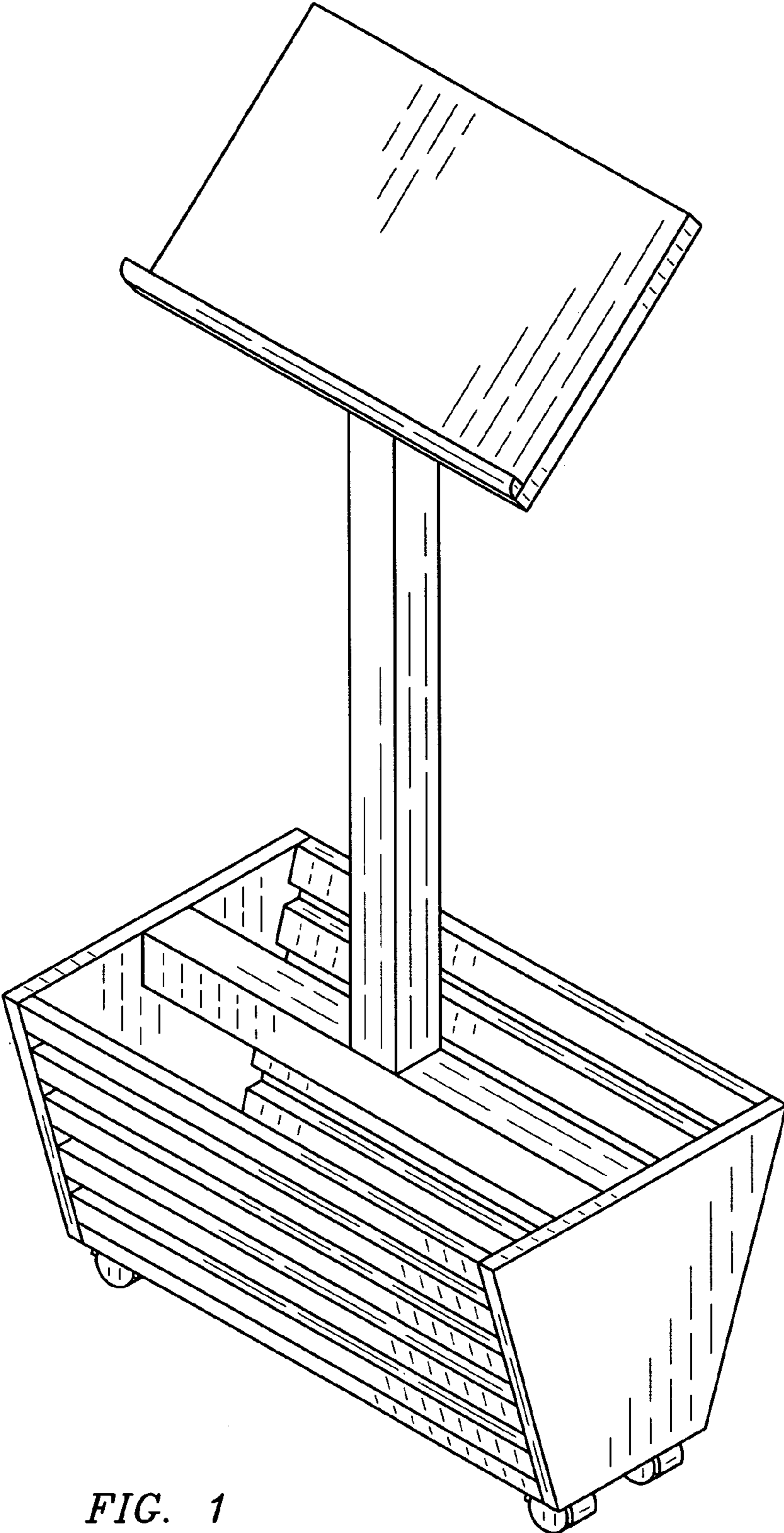


FIG. 1

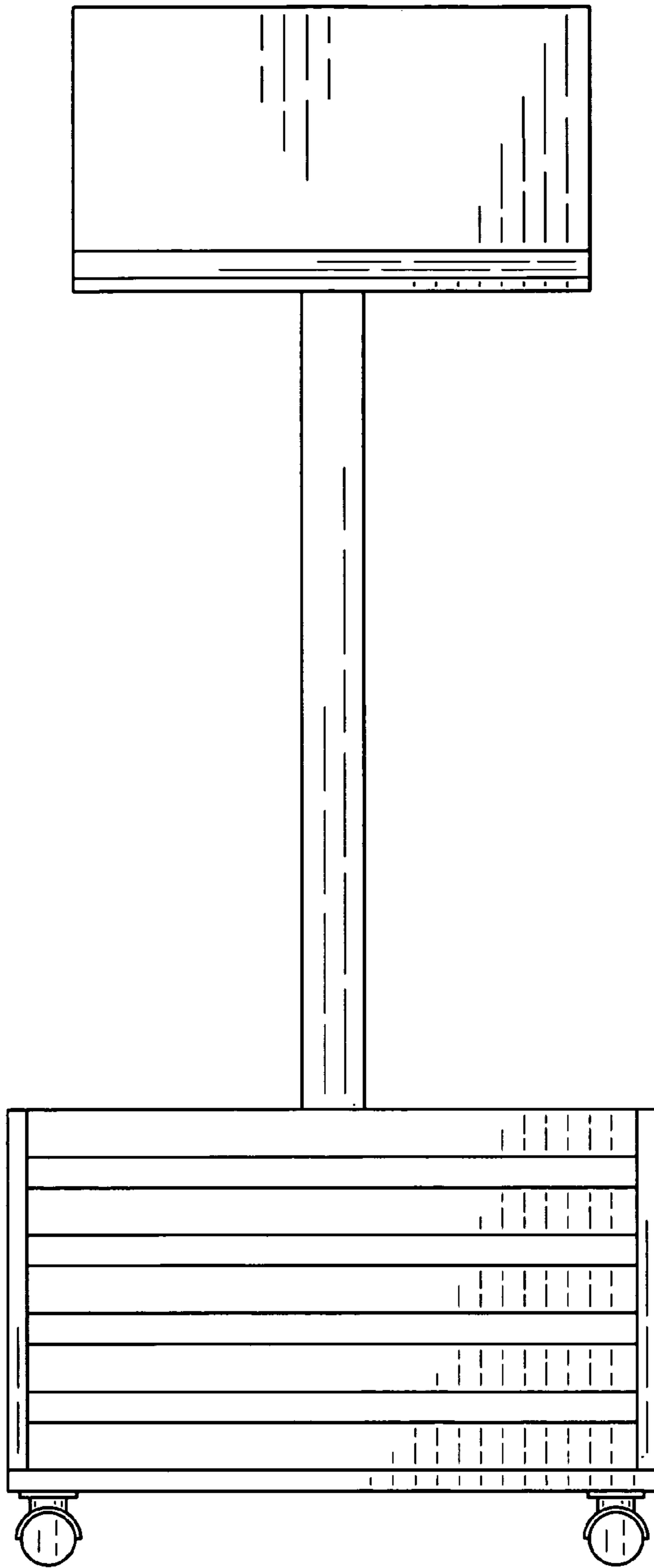


FIG. 2

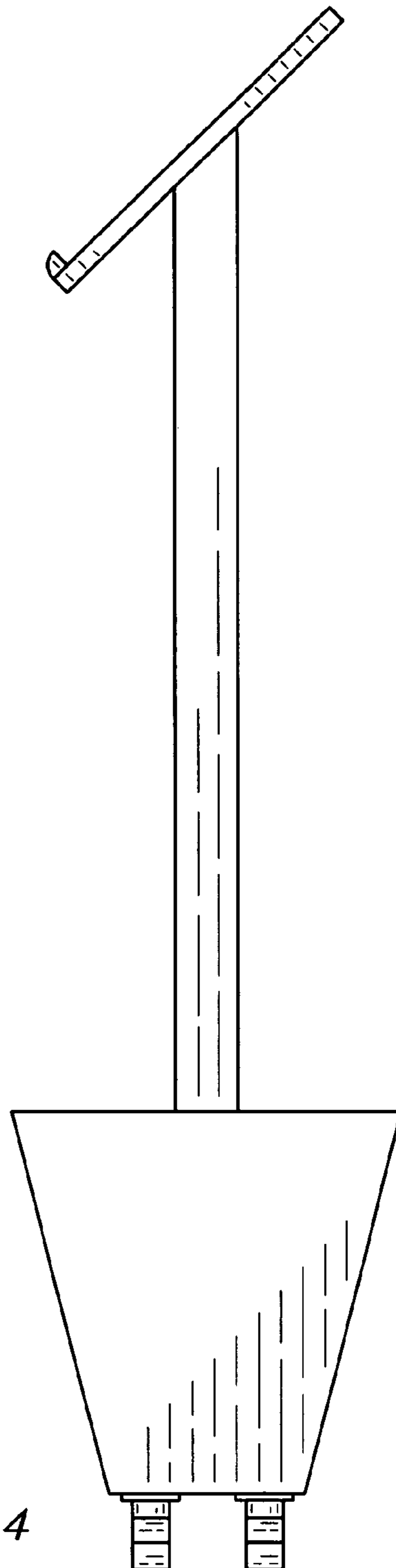


FIG. 4

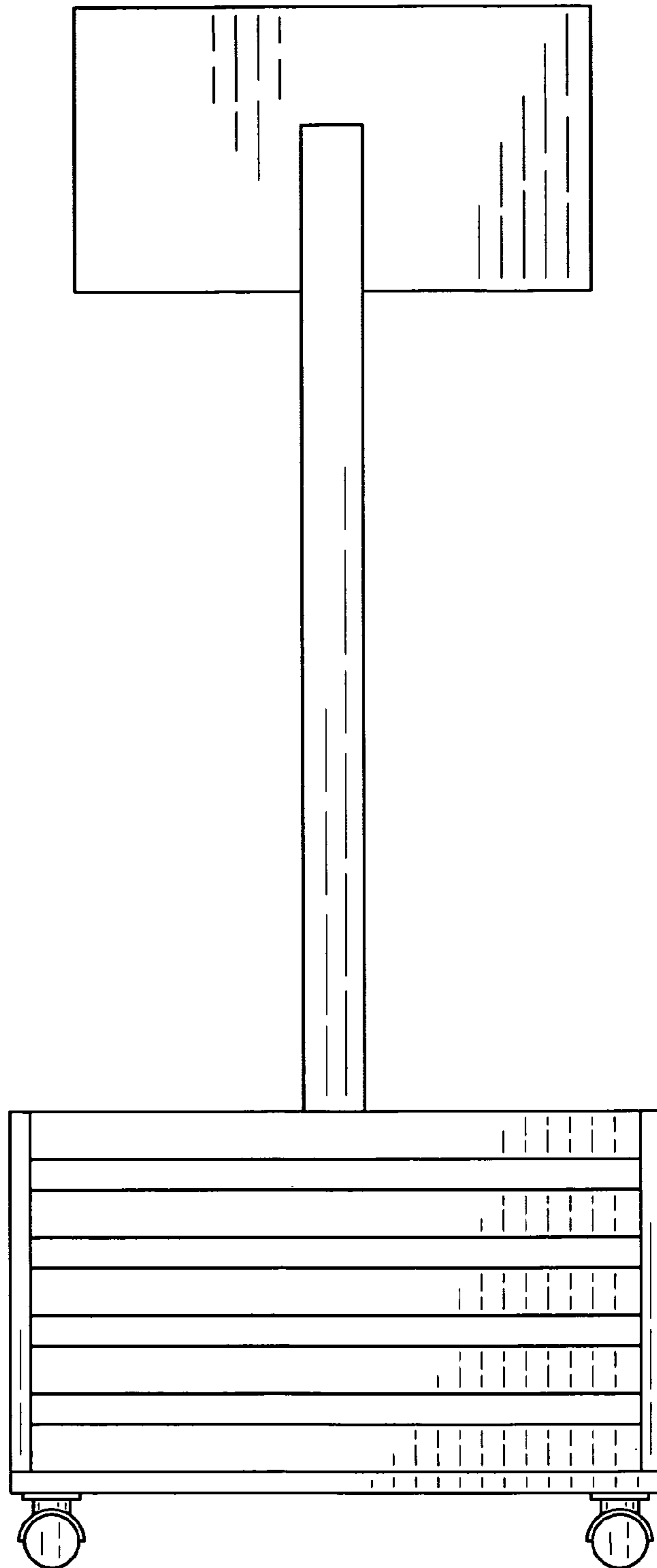


FIG. 3

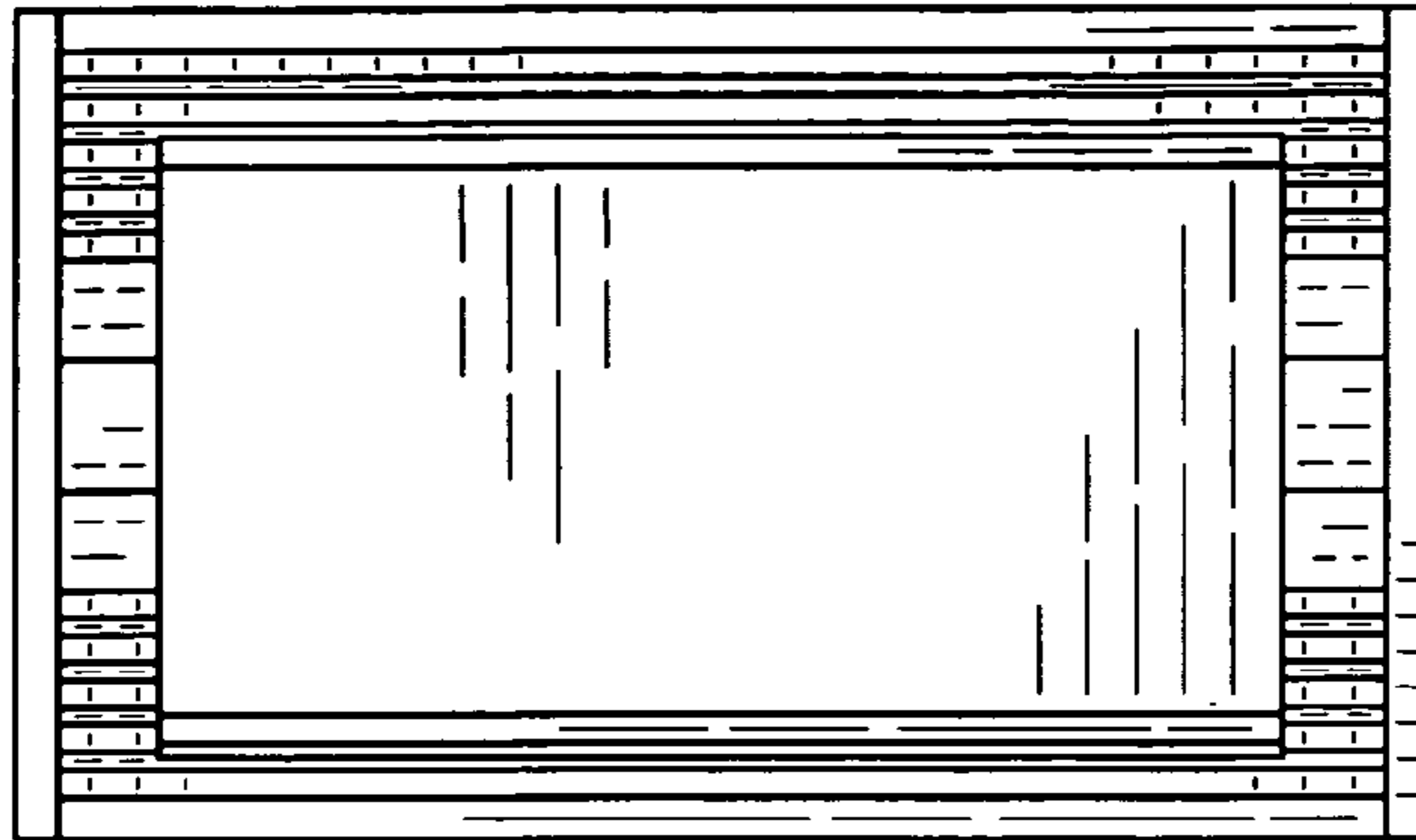


FIG. 5

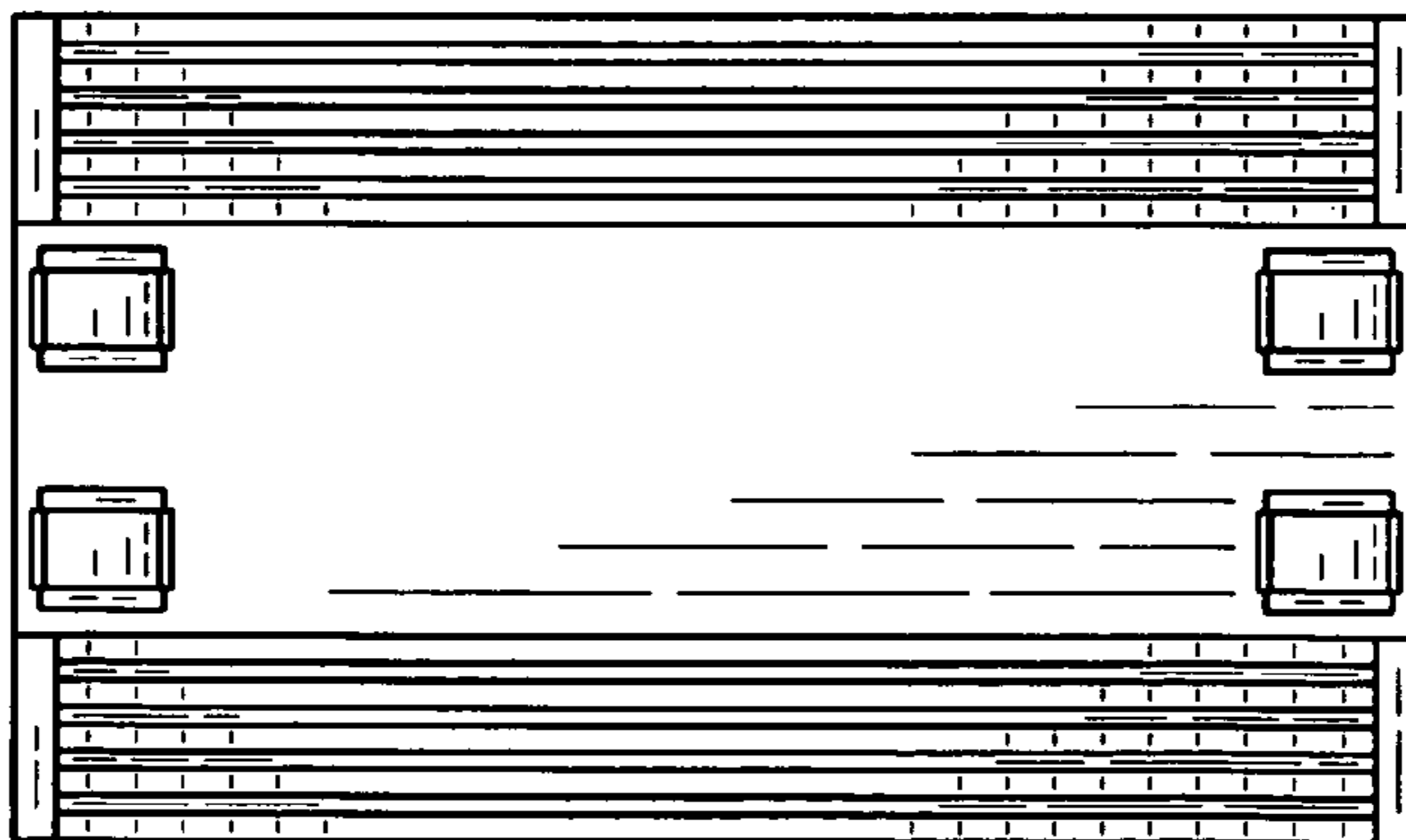


FIG. 6