



US00D593763S

(12) **United States Design Patent**  
**Barbieri**

(10) **Patent No.:** **US D593,763 S**  
(45) **Date of Patent:** **\*\* Jun. 9, 2009**

(54) **CHAIR**

(75) Inventor: **Raul Barbieri**, Via Pietro Custodi, 14,  
Milan (IT) 20136

(73) Assignee: **Raul Barbieri**, Milan (IT)

(\*\*) Term: **14 Years**

(21) Appl. No.: **29/323,143**

(22) Filed: **Aug. 19, 2008**

(30) **Foreign Application Priority Data**

Feb. 22, 2008 (IT) ..... 000884176

(51) **LOC (9) Cl.** ..... **06-01**

(52) **U.S. Cl.** ..... **D6/375**

(58) **Field of Classification Search** ..... D6/334-336,  
D6/370, 374, 375, 376, 379, 380, 500-502;  
297/239, 445.1, 446.1, DIG. 2

See application file for complete search history.

(56) **References Cited**

**U.S. PATENT DOCUMENTS**

D390,026 S \* 2/1998 Biecher ..... D6/375

D426,972 S \* 6/2000 Bellini ..... D6/375  
D458,467 S \* 6/2002 Starck ..... D6/374  
D465,100 S \* 11/2002 Savini ..... D6/375  
D512,237 S \* 12/2005 Messier ..... D6/375

\* cited by examiner

*Primary Examiner*—Mimosa De

(74) *Attorney, Agent, or Firm*—Cozen O'Connor

(57) **CLAIM**

I claim the ornamental design for a chair, as shown and described.

**DESCRIPTION**

FIG. 1 illustrates a front perspective view of the chair of the present invention;

FIG. 2 illustrates a top plan view of the invention;

FIG. 3 illustrates a left side view of the invention;

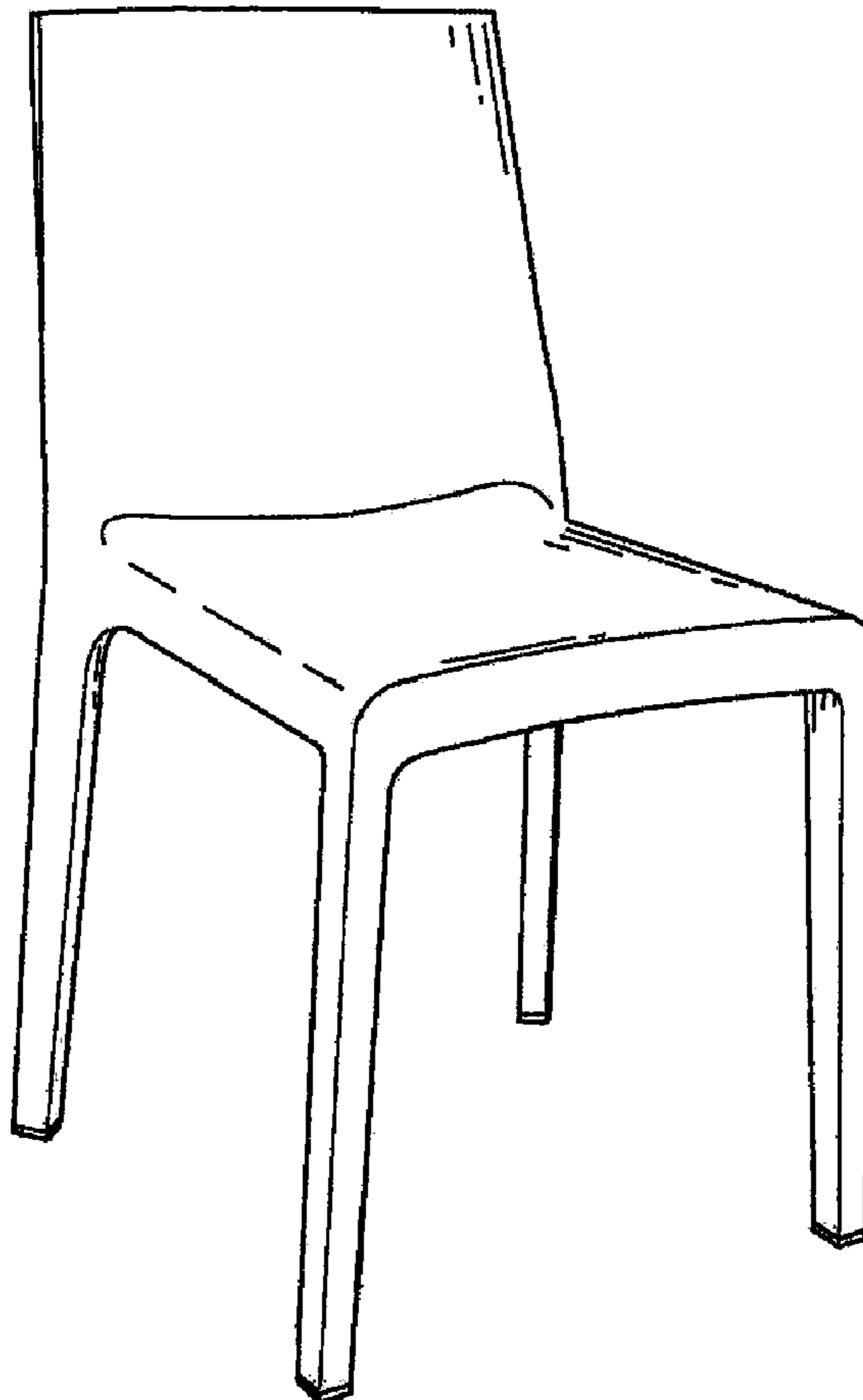
FIG. 4 illustrates a right side view of the invention;

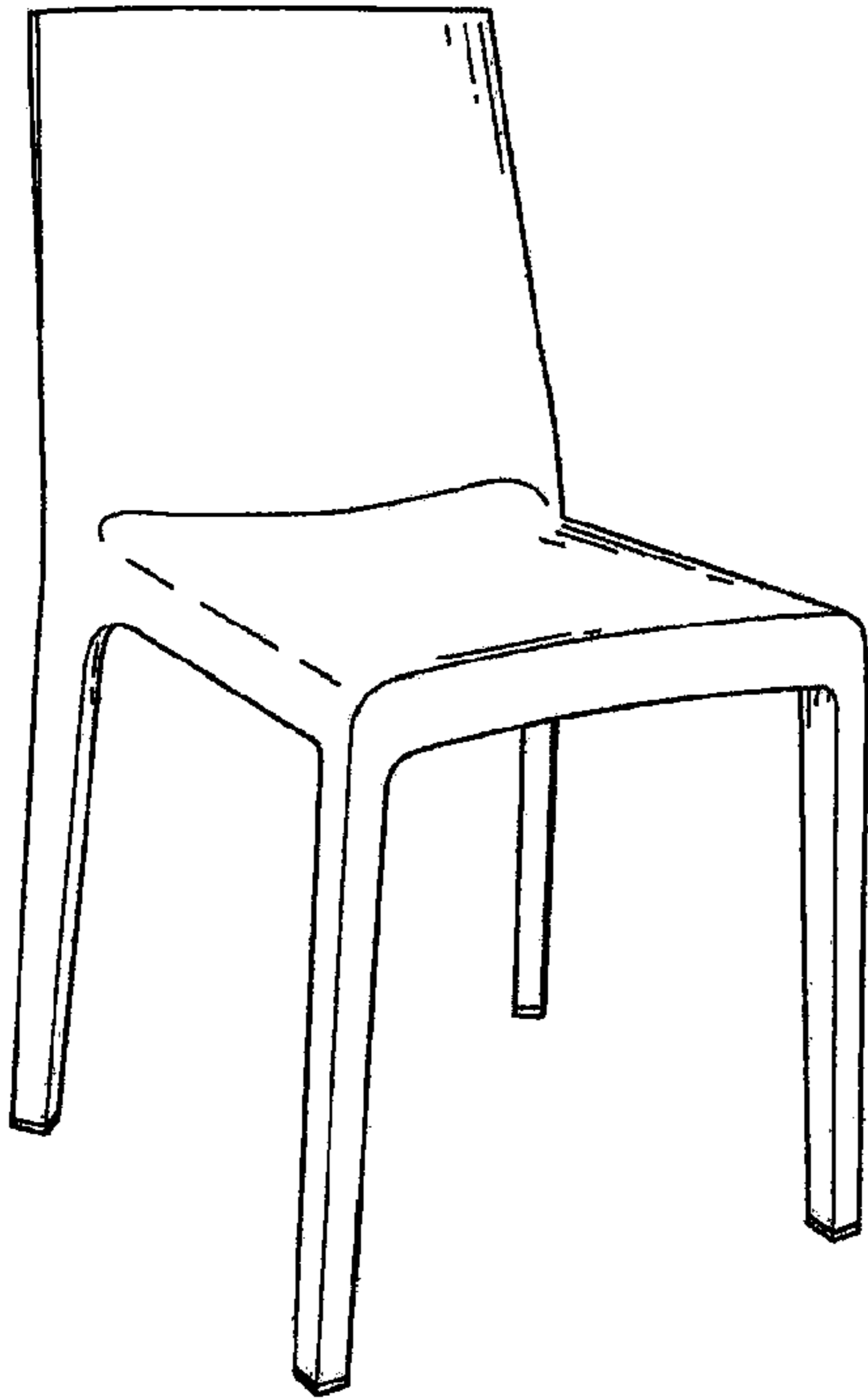
FIG. 5 illustrates a front elevational view of the invention;

FIG. 6 illustrates a rear view of the invention; and,

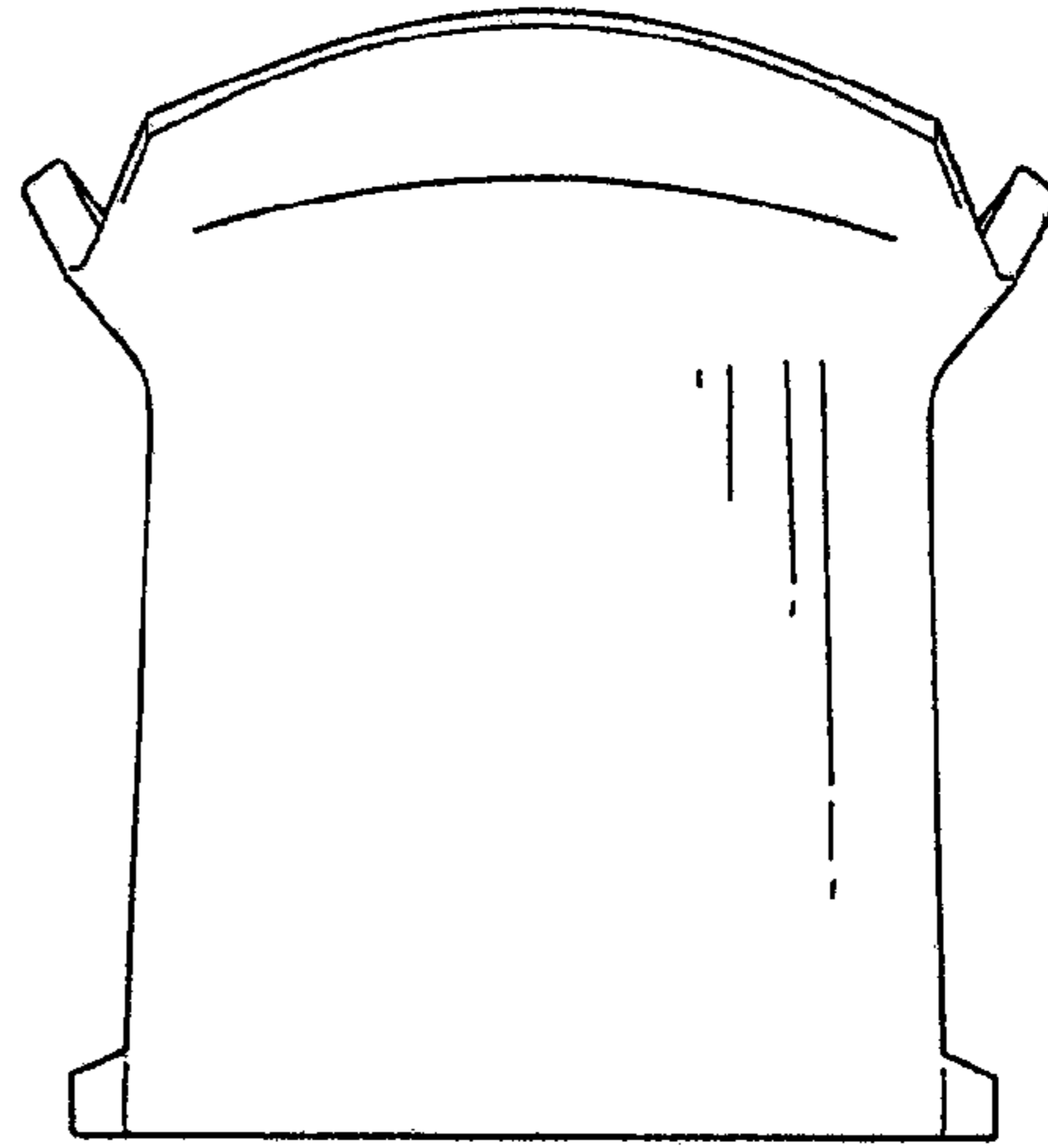
FIG. 7 illustrates a bottom view of the invention.

**1 Claim, 2 Drawing Sheets**

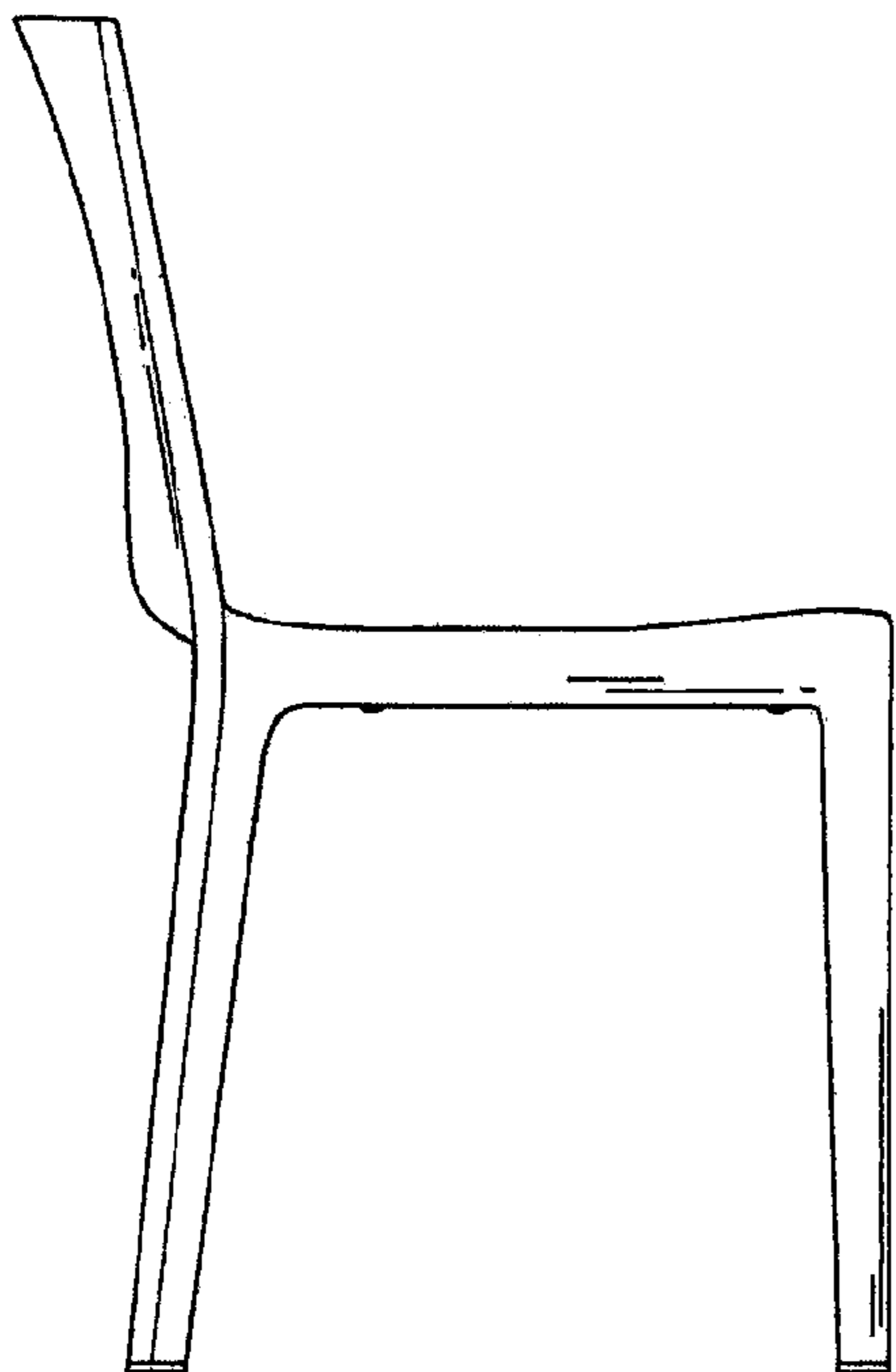




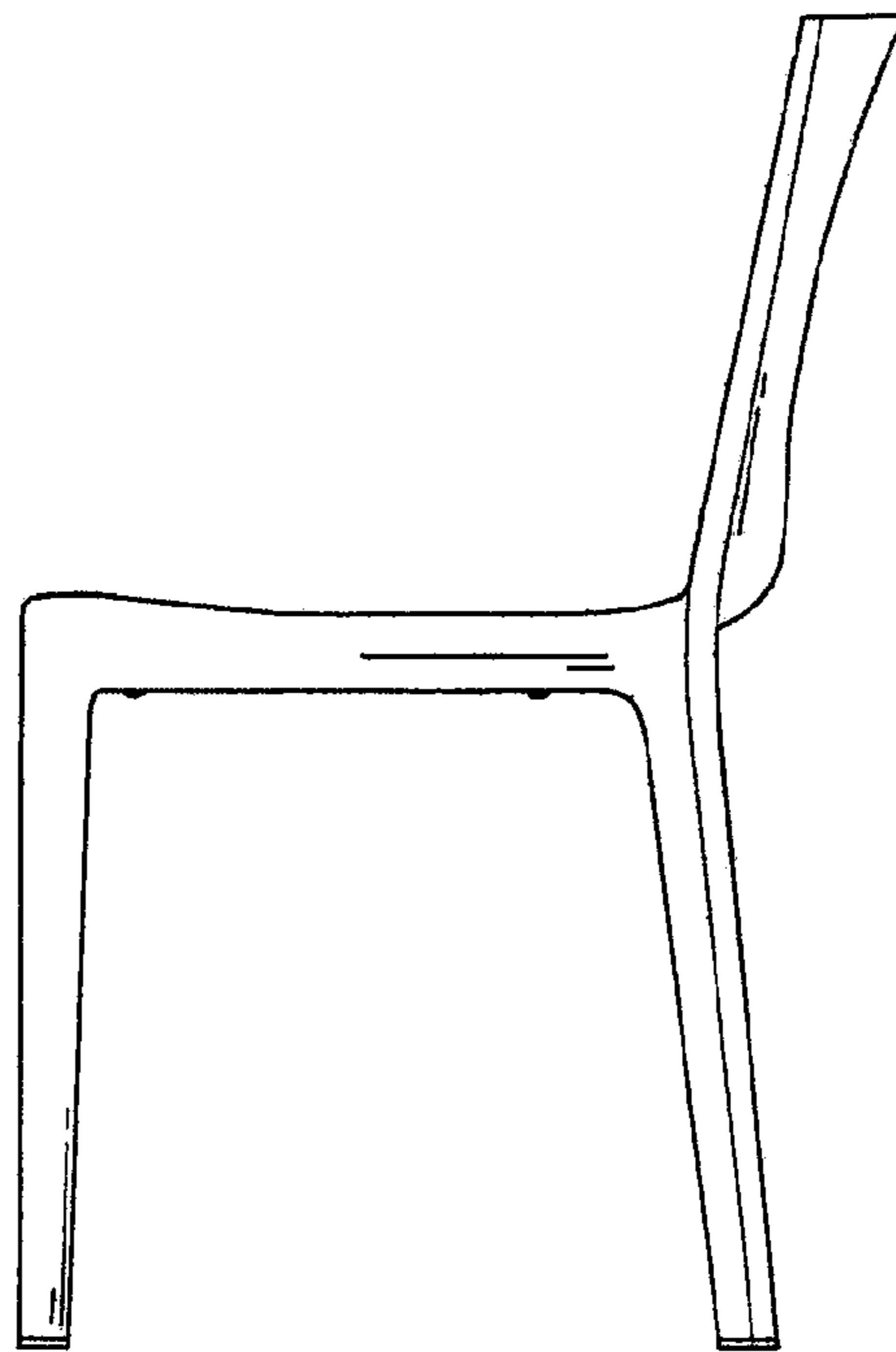
*Fig. 1*



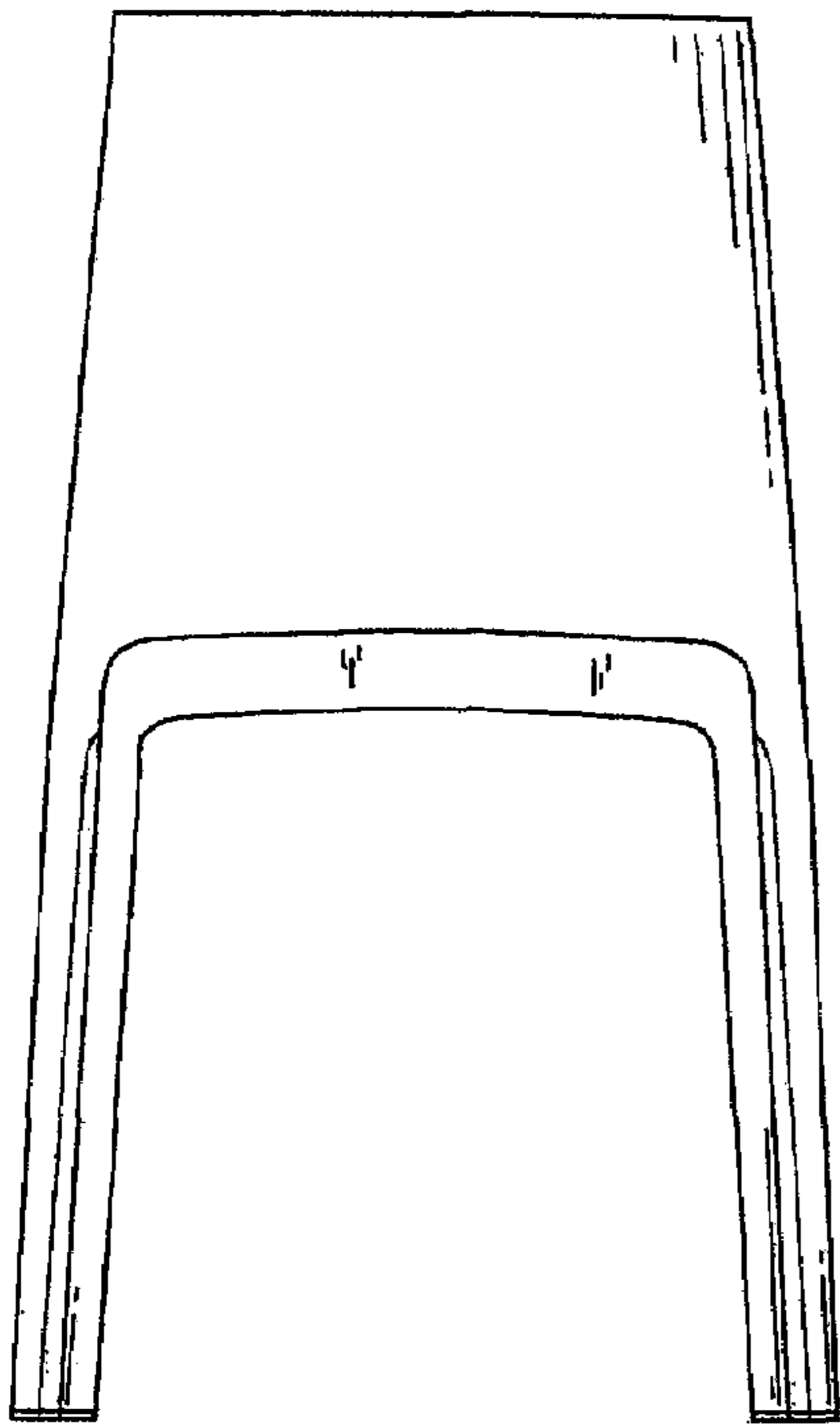
*Fig. 2*



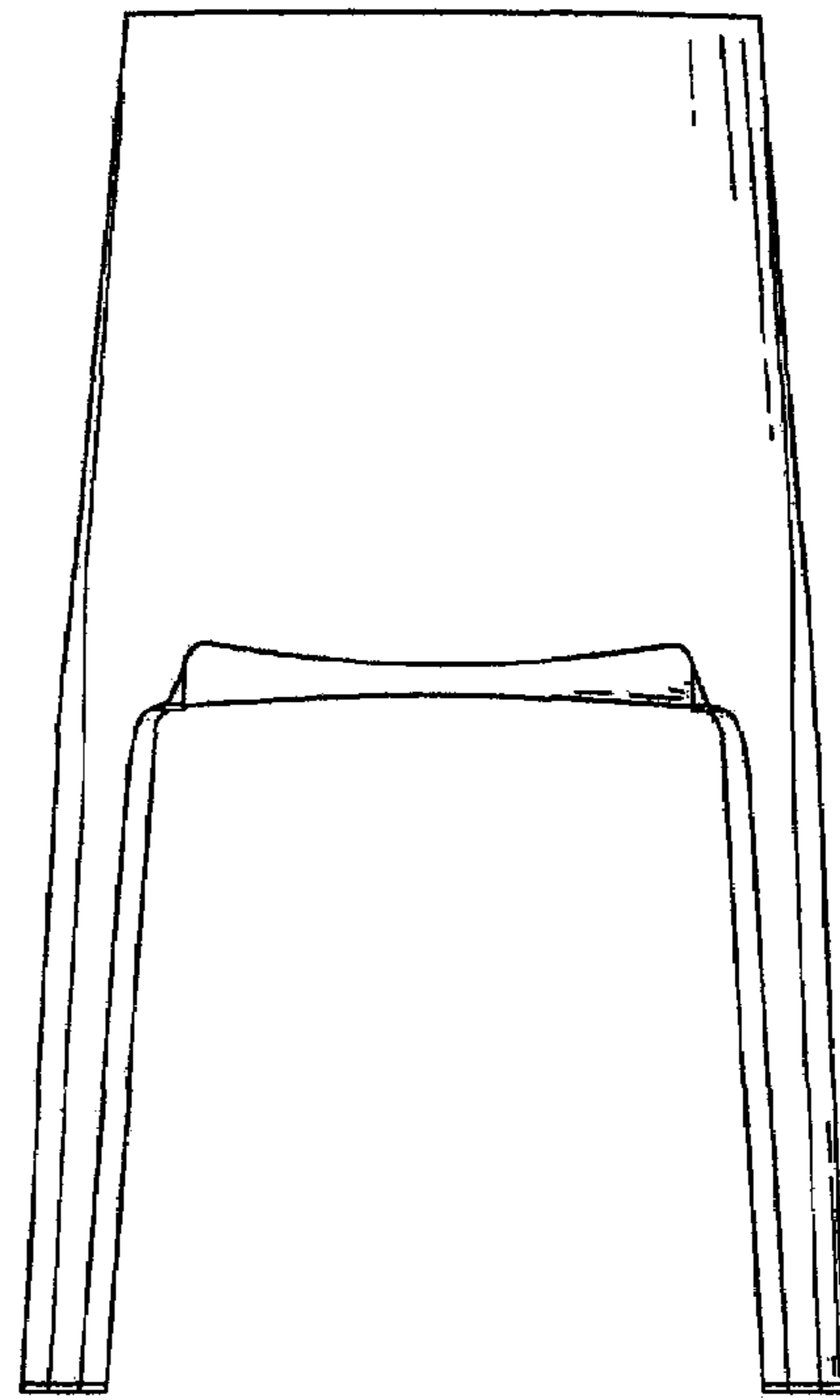
*Fig. 3*



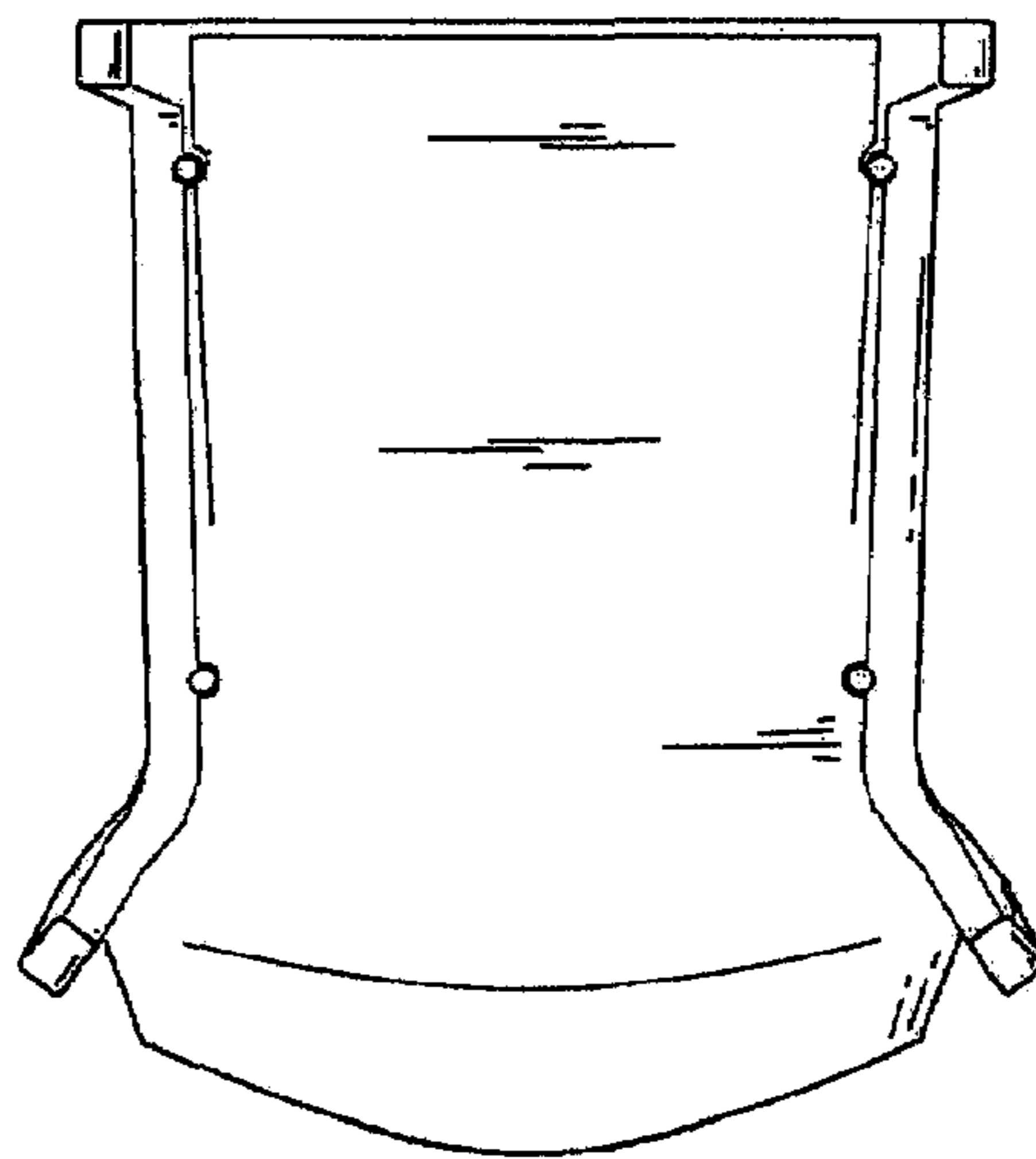
*Fig. 4*



*Fig. 5*



*Fig. 6*



*Fig. 7*