

US00D593761S

(12) **United States Design Patent**  
**Kaloustian**

(10) **Patent No.:** **US D593,761 S**  
(45) **Date of Patent:** **\*\* Jun. 9, 2009**

(54) **SEATING UNIT**

(75) Inventor: **John M. Kaloustian**, Northville, MI  
(US)

(73) Assignee: **Steelcase Development Corporation**,  
Caledonia, MI (US)

(\*\*) Term: **14 Years**

(21) Appl. No.: **29/282,024**

(22) Filed: **Jul. 10, 2007**

**Related U.S. Application Data**

(62) Division of application No. 29/231,065, filed on Jun. 1,  
2005, now Pat. No. Des. 546,574.

(51) **LOC (9) Cl.** ..... **06-01**

(52) **U.S. Cl.** ..... **D6/374**

(58) **Field of Classification Search** ..... D6/374,  
D6/372, 375, 334-336, 500-502, 499, 365,  
D6/379-380; 297/411.27, 452.29, 451.5,  
297/451.6, 445.1, 446.1, DIG. 2  
See application file for complete search history.

(56) **References Cited**

**U.S. PATENT DOCUMENTS**

D171,208 S	12/1953	Jones
2,726,713 A	12/1955	Turner
3,156,498 A	11/1964	Blodee
D199,902 S	12/1964	Petersen
D202,264 S	9/1965	Albinson
3,322,460 A	5/1967	Leverman
D214,315 S	6/1969	Bartholomew
3,712,668 A	1/1973	Fink
3,751,789 A	8/1973	Fink
D236,670 S	9/1975	Uyeda
4,067,606 A	1/1978	Desmoulins nee Fouchereau et al.
4,560,128 A	12/1985	Willeby et al.
D327,783 S	7/1992	Currinjee
5,356,107 A	10/1994	Sinohuiz
5,407,249 A	4/1995	Bonutti
D377,431 S	1/1997	Stumpf et al.

5,597,148 A	1/1997	Gospodarich
D378,553 S	3/1997	Newhouse
5,635,499 A	6/1997	Goodall
5,647,075 A	7/1997	Perkins
5,655,743 A	8/1997	Gillis
D391,423 S	3/1998	Leib
5,746,480 A	5/1998	Bonutti
5,765,911 A	6/1998	Sorenson
5,865,124 A	2/1999	Wroe
5,901,934 A	5/1999	Wilson
5,931,537 A	8/1999	Gollin et al.
6,003,446 A	12/1999	Leibowitz
D418,322 S	1/2000	Hock
6,145,926 A	11/2000	Lin
D440,784 S *	4/2001	Ambasz ..... D6/368

(Continued)

*Primary Examiner*—Caron Veynar  
*Assistant Examiner*—Abraham Bahta  
(74) *Attorney, Agent, or Firm*—Price, Heneveld, Cooper,  
DeWitt & Litton, LLP

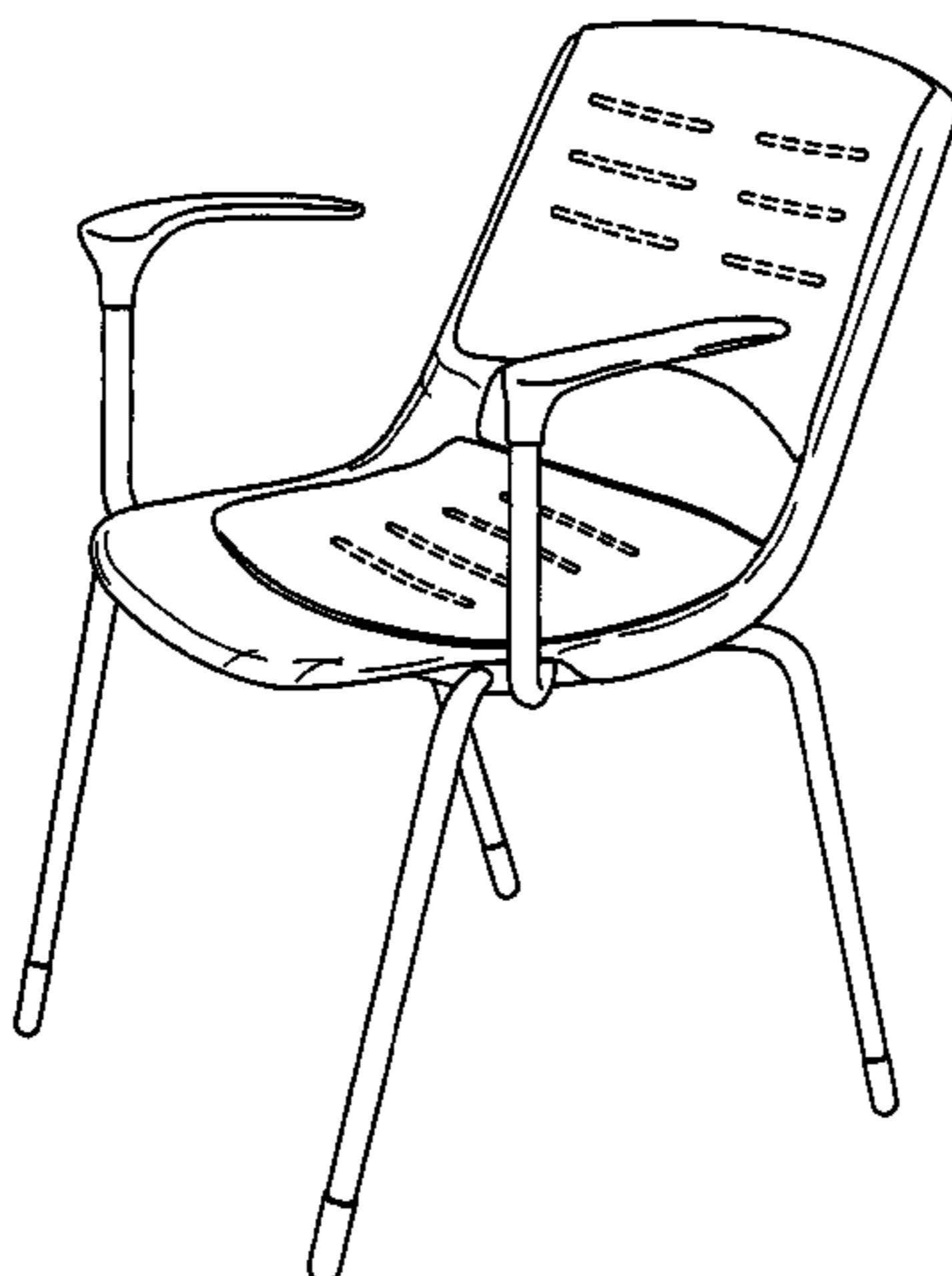
(57) **CLAIM**

I claim the ornamental design for a seating unit, as shown and  
described.

**DESCRIPTION**

FIG. 1 is a perspective view of a seating unit showing my new  
design;  
FIG. 2 is a front view of FIG. 1;  
FIG. 3 is a right side view of FIG. 1, the left side being a mirror  
image thereof;  
FIG. 4 is a rear view of FIG. 1; and  
FIG. 5 is a top view of FIG. 1; and,  
FIG. 6 is a bottom view thereof.  
The dashed lines in the Figures are for environment only, and  
do not form a part of the present invention.

**1 Claim, 3 Drawing Sheets**



# US D593,761 S

Page 2

---

## U.S. PATENT DOCUMENTS

6,227,511	B1	5/2001	De Costa	6,749,158	B2	6/2004	Timm
6,234,085	B1	5/2001	Ramundo	D502,231	S *	2/2005	Auberger ..... D21/688
6,322,147	B1	11/2001	Leib	D502,331	S	3/2005	Socha et al.
6,422,646	B1	7/2002	McNally	D512,846	S	12/2005	Goodworth
6,425,631	B1	7/2002	Lin	D515,331	S *	2/2006	Piretti ..... D6/380
D464,495	S *	10/2002	Chu ..... D6/374	D520,768	S	5/2006	Glass et al.
6,457,772	B1	10/2002	Forston	D520,769	S *	5/2006	Bernett et al. .... D6/374
6,471,290	B1	10/2002	Moody et al.	D546,574	S *	7/2007	Kaloustian ..... D6/374
6,478,371	B1	11/2002	Clarke	D554,384	S *	11/2007	Scheper et al. .... D6/374
D470,727	S	2/2003	Bartley	D574,623	S *	8/2008	Bartilmae ..... D6/374
D475,211	S	6/2003	Neil	D581,689	S *	12/2008	Marini ..... D6/380
6,588,842	B2	7/2003	Stumpf et al.	2001/0028548	A1	10/2001	Oura et al.
6,669,282	B2	12/2003	Piretti	2003/0160495	A1	8/2003	Tarnay et al.

\* cited by examiner

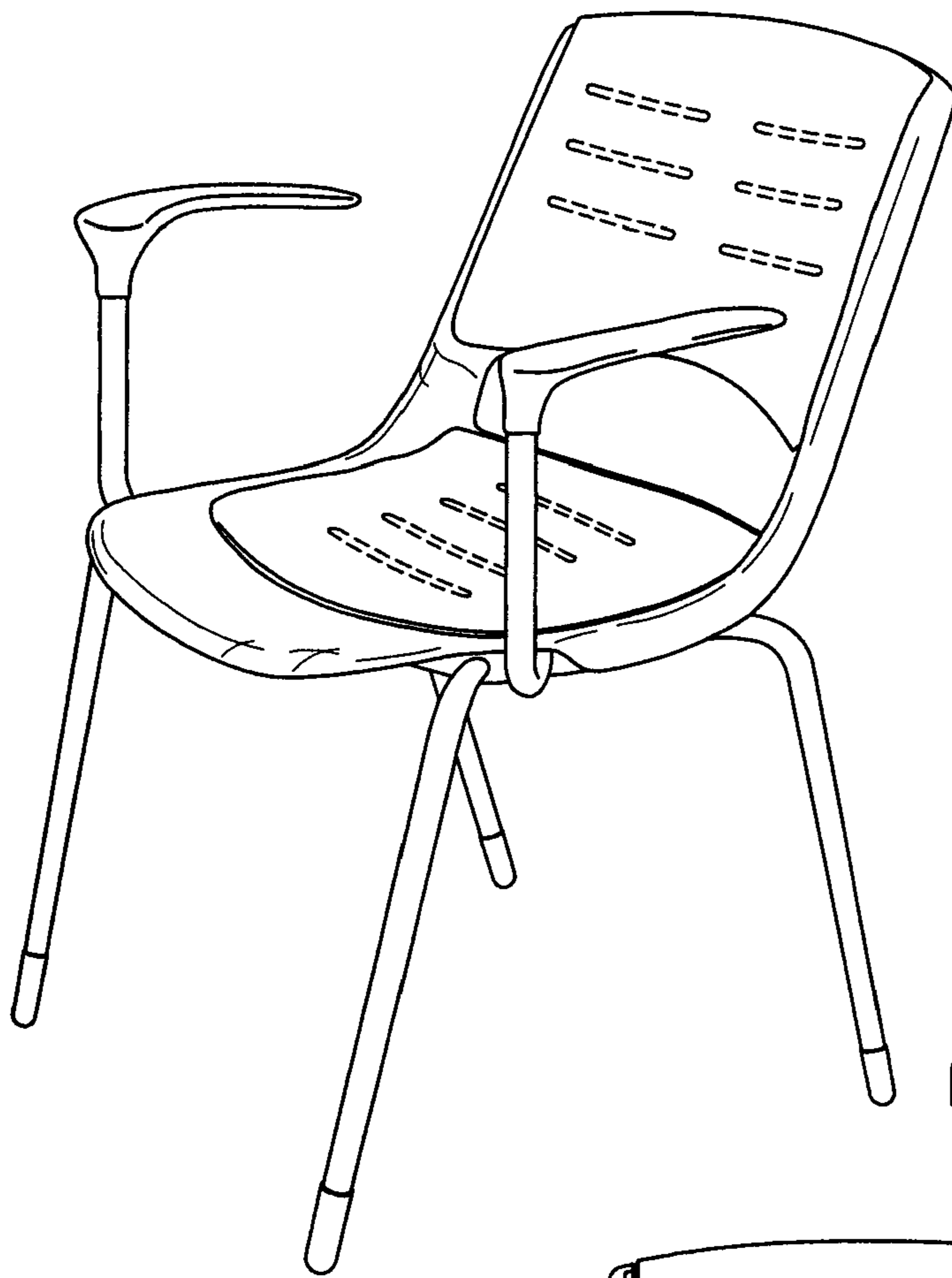


FIG. 1

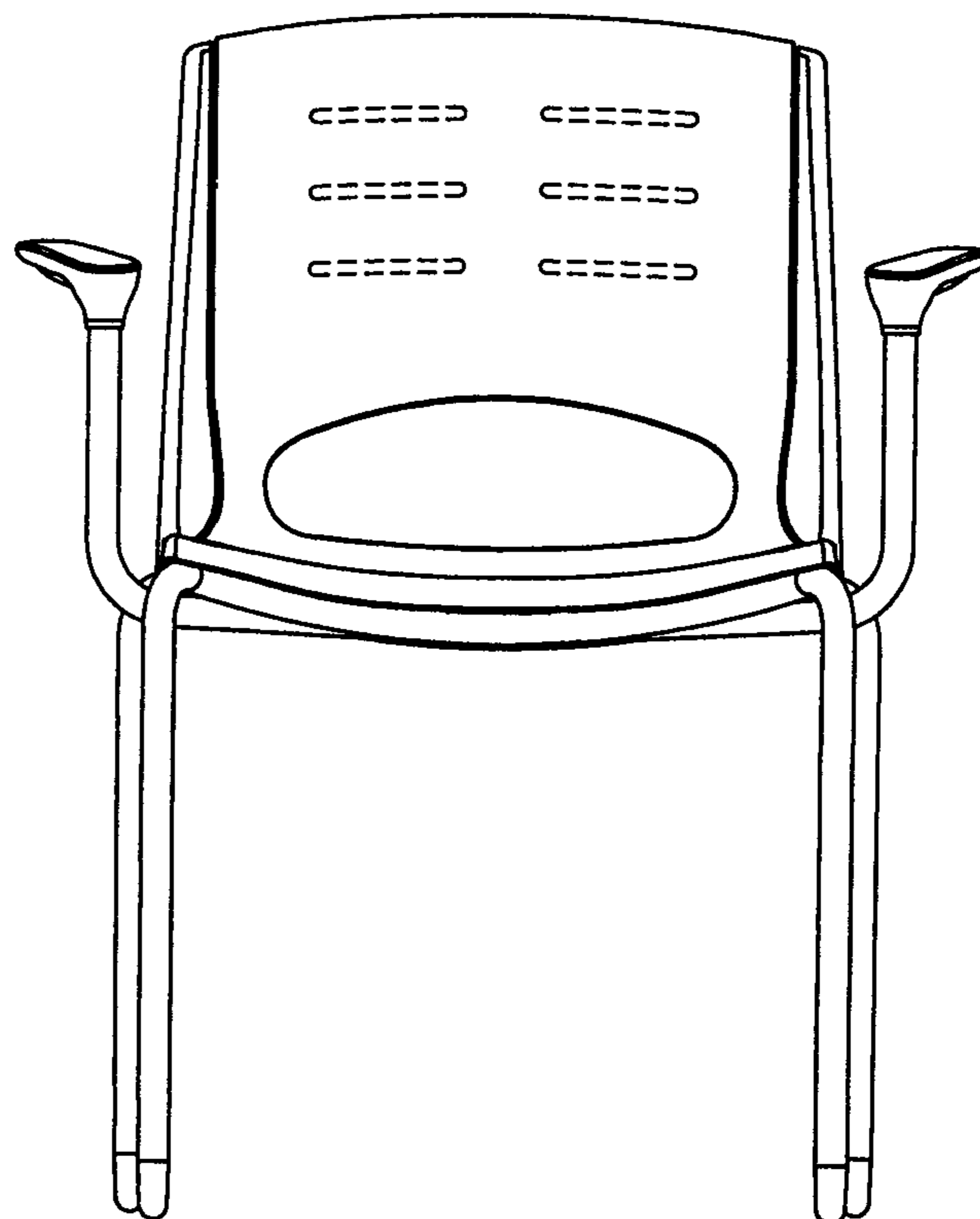


FIG. 2

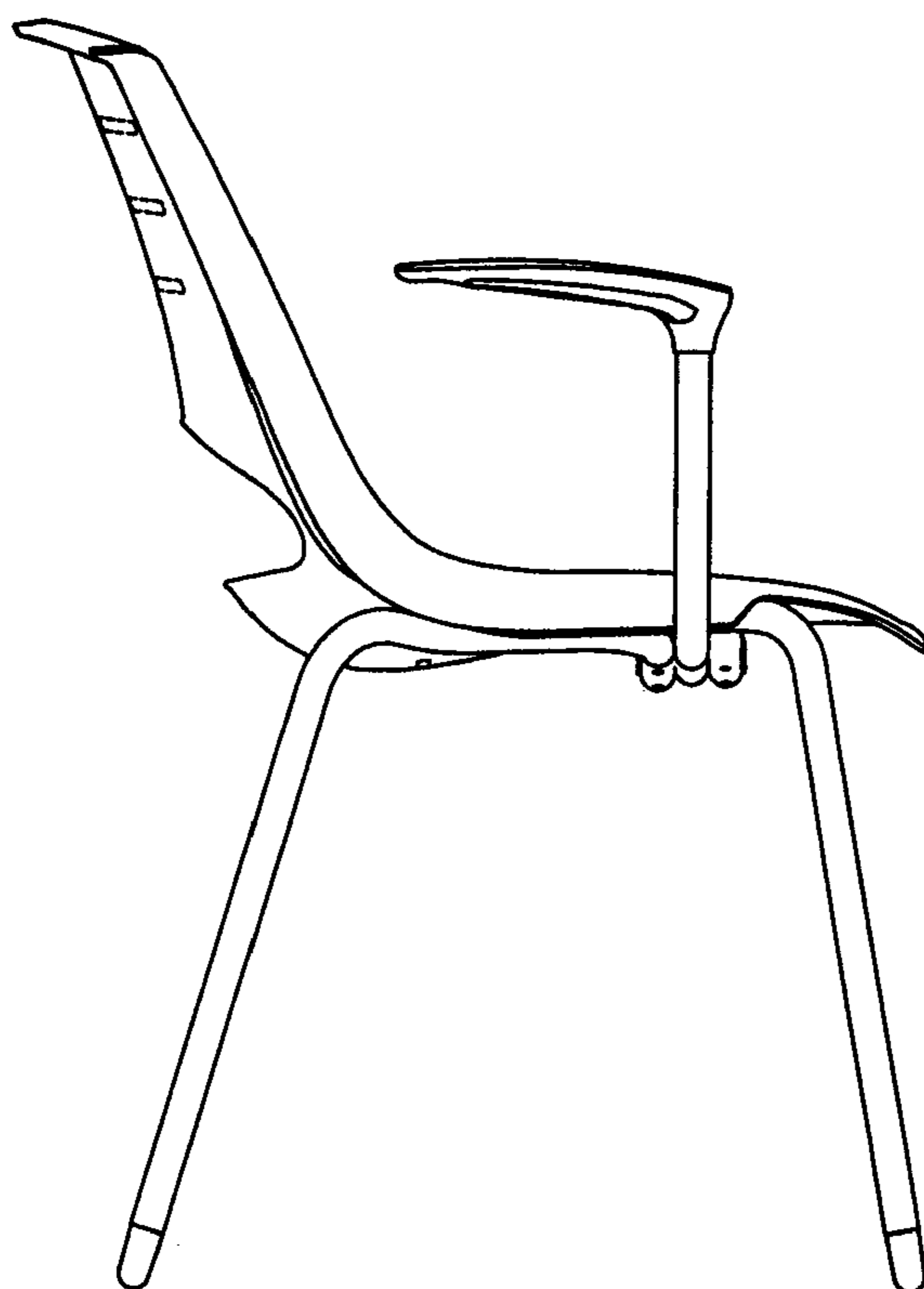


FIG. 3

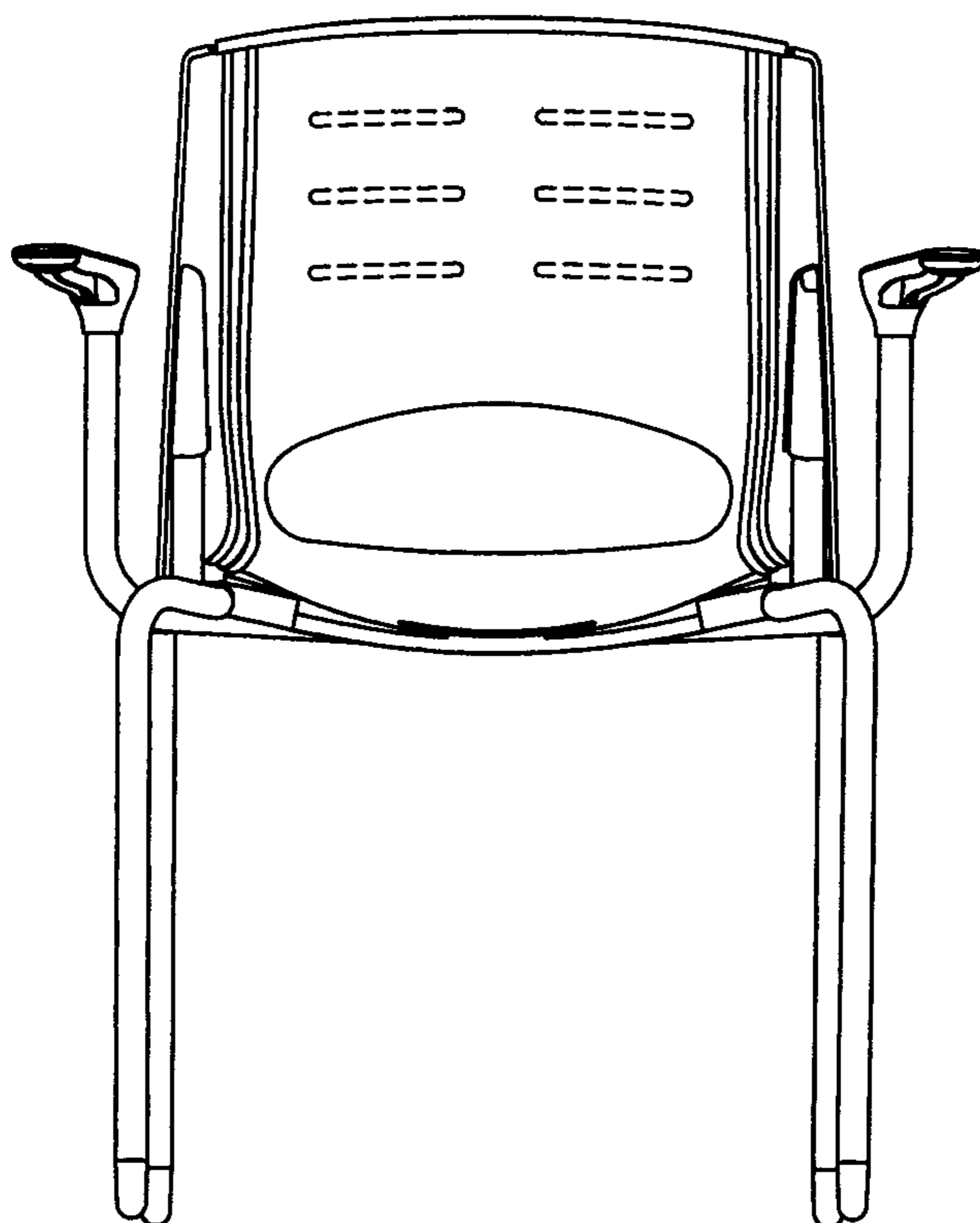


FIG. 4

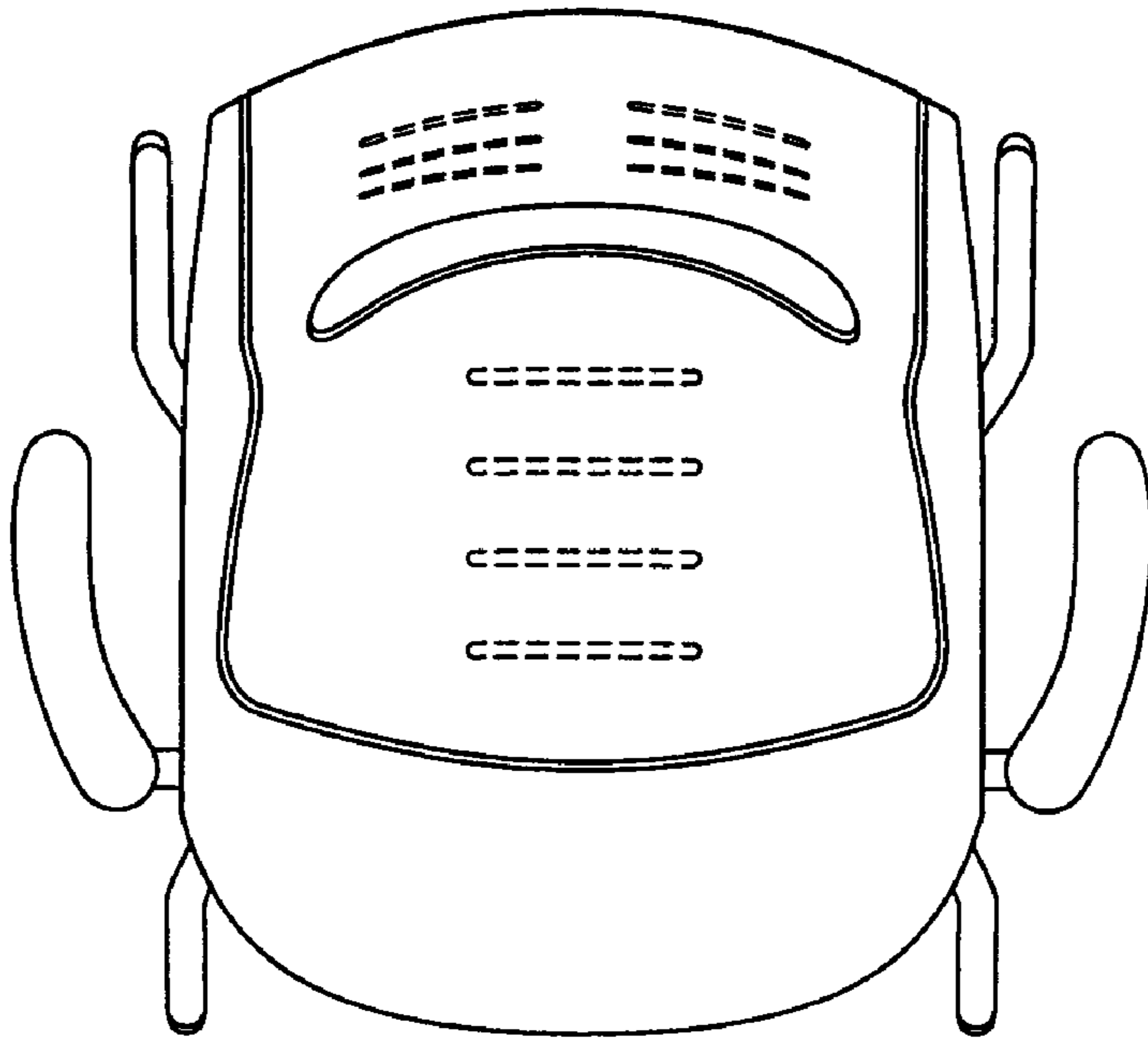


FIG. 5

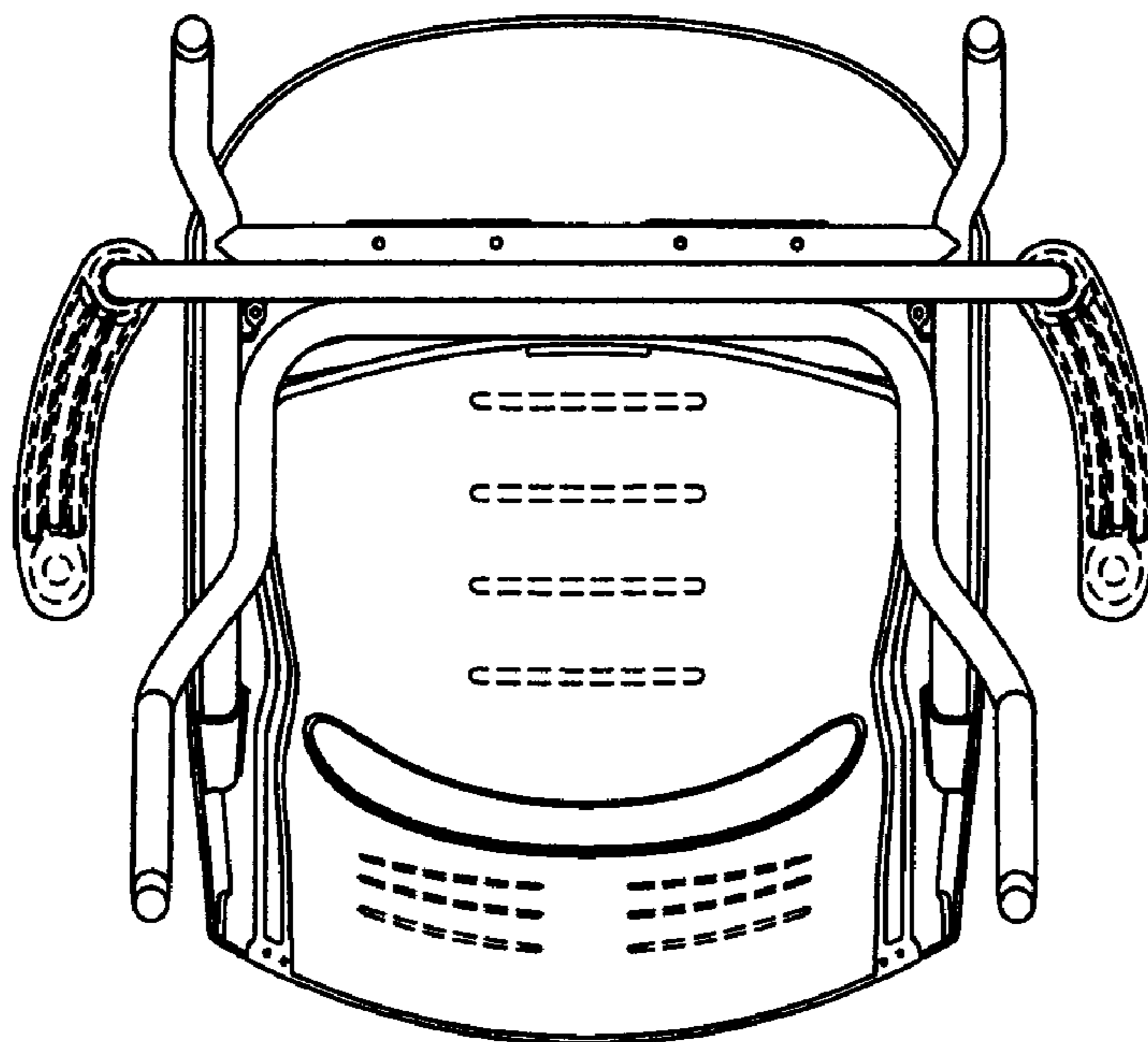


FIG. 6