



US00D593760S

(12) **United States Design Patent**
Fidler

(10) **Patent No.:** **US D593,760 S**
(45) **Date of Patent:** **** Jun. 9, 2009**

(54) **TAILGATE RECEIVER AND TABLE WITH CHAIRS COMBINATION**

(76) Inventor: **Michael Eric Fidler**, 9387 Hillston Ridge Rd., Huntersville, NC (US) 28078

(**) Term: **14 Years**

(21) Appl. No.: **29/292,780**

(22) Filed: **Nov. 19, 2007**

(51) **LOC (9) Cl.** **06-01**

(52) **U.S. Cl.** **D6/338**

(58) **Field of Classification Search** D6/334-338, D6/360, 367, 374, 375, 482, 491, 495, 500-502; 297/83, 157.1, 158.3, 170, 184.16, 188.14, 297/244, 423.19; 5/12.1, 12.2

See application file for complete search history.

(56) **References Cited**

U.S. PATENT DOCUMENTS

3,266,840	A *	8/1966	D Estrube	297/158.3
3,348,879	A *	10/1967	Merola	297/157.1
3,366,415	A *	1/1968	Cooper	297/158.3
3,477,760	A *	11/1969	Bue et al.	297/158.3
5,752,639	A *	5/1998	Rice	224/521
5,857,741	A *	1/1999	Anderson	297/170
6,082,269	A *	7/2000	Padberg	108/44
6,155,623	A *	12/2000	Lane	296/26.09
6,189,458	B1 *	2/2001	Rivera	108/44
6,250,702	B1 *	6/2001	Eipper	296/26.1
6,269,578	B1 *	8/2001	Callegari	42/94

6,314,891	B1 *	11/2001	Larson	108/44
6,435,614	B1 *	8/2002	Gollahon	297/344.1
6,511,088	B2 *	1/2003	Kahlstorf	280/415.1
6,662,983	B2 *	12/2003	Lane et al.	224/405
6,808,231	B1 *	10/2004	Hill	297/217.7
6,935,064	B1 *	8/2005	Thompson	42/94
7,073,857	B1 *	7/2006	Bailey	297/217.7
7,090,104	B2 *	8/2006	Dorety	224/524
2003/0168487	A1 *	9/2003	Lane et al.	224/499
2004/0124608	A1 *	7/2004	McCoy et al.	280/495

* cited by examiner

Primary Examiner—Sandra Snapp

(57) **CLAIM**

The ornamental design for a tailgate receiver and table with chairs combination, as shown and described.

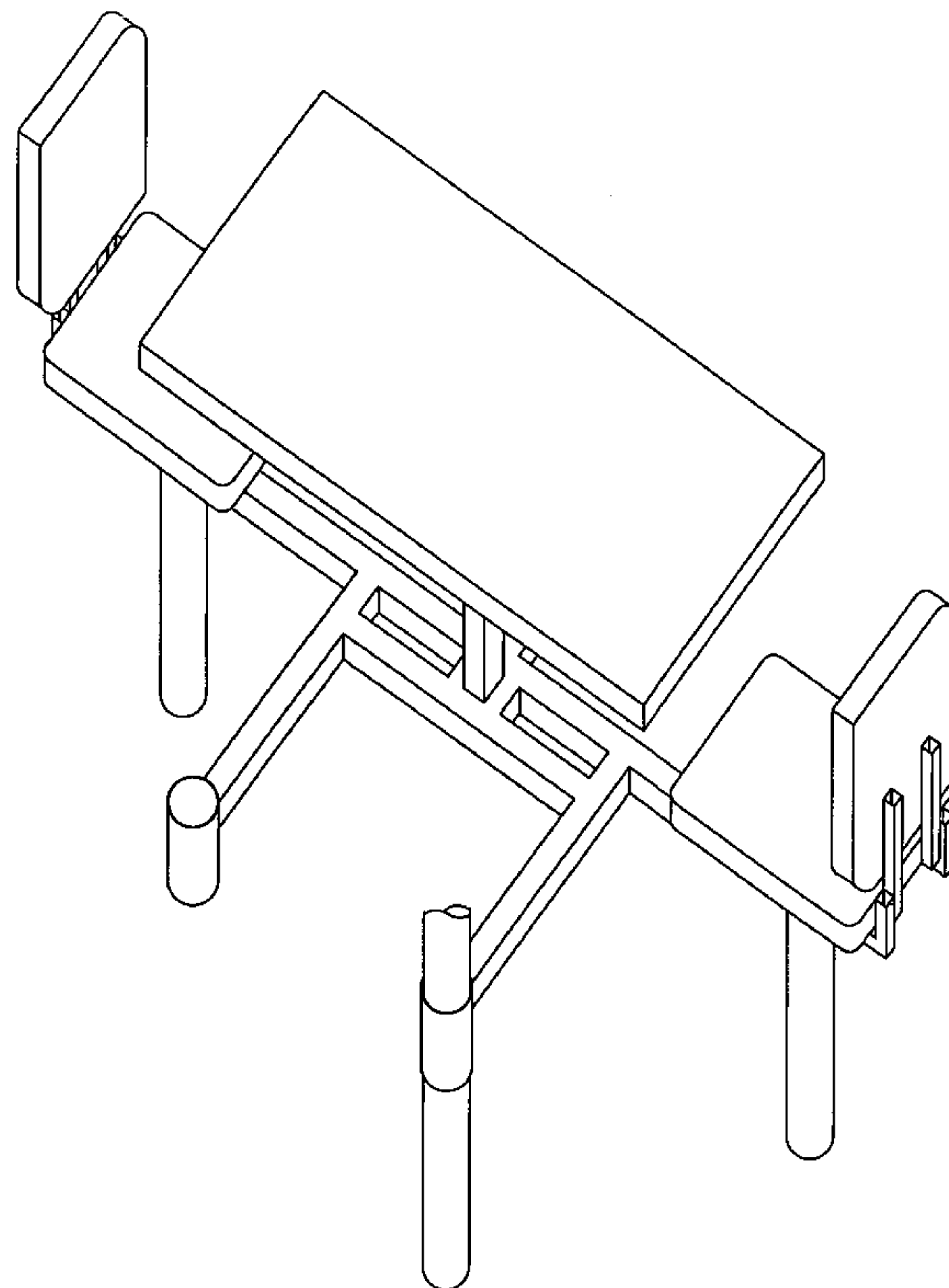
DESCRIPTION

FIG. 1 is a top, front perspective view of the tailgate carrier and table with chairs combination, with the floor of the carrier, post and chairs removed for ease of illustration.

FIG. 2 is a top, front perspective view of the tailgate receiver carrier and table with chairs combination, shown in the table with chairs mode, the chairs in an extended and open position and the table in the raised position; and,

FIG. 3 is a top, front perspective view of the tailgate receiver carrier and table with chairs combination, shown in the carrier mode, with the chairs in the raised position and the table bottom side up and in the lowered position.

1 Claim, 2 Drawing Sheets



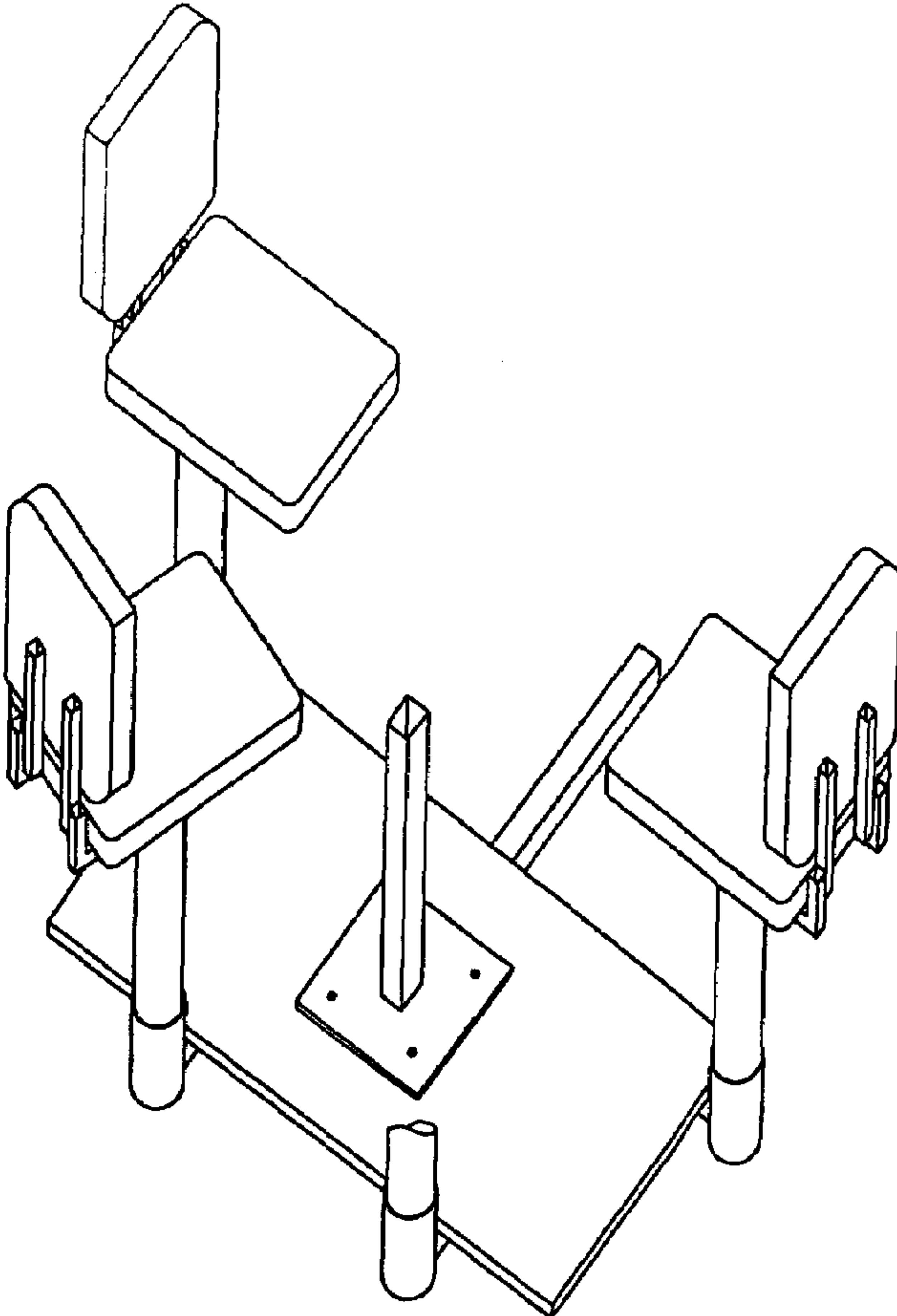


Figure 3

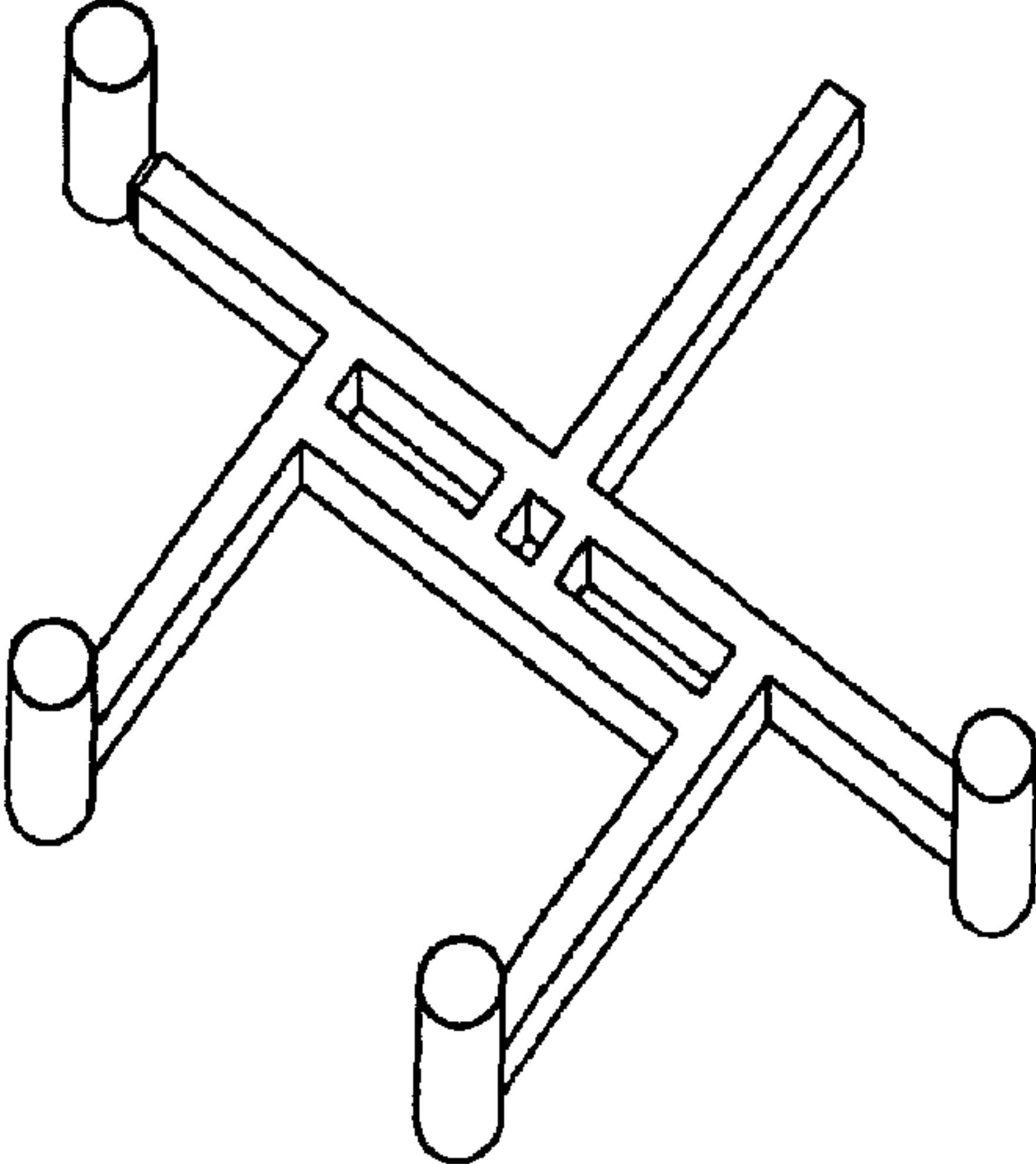


Figure 1

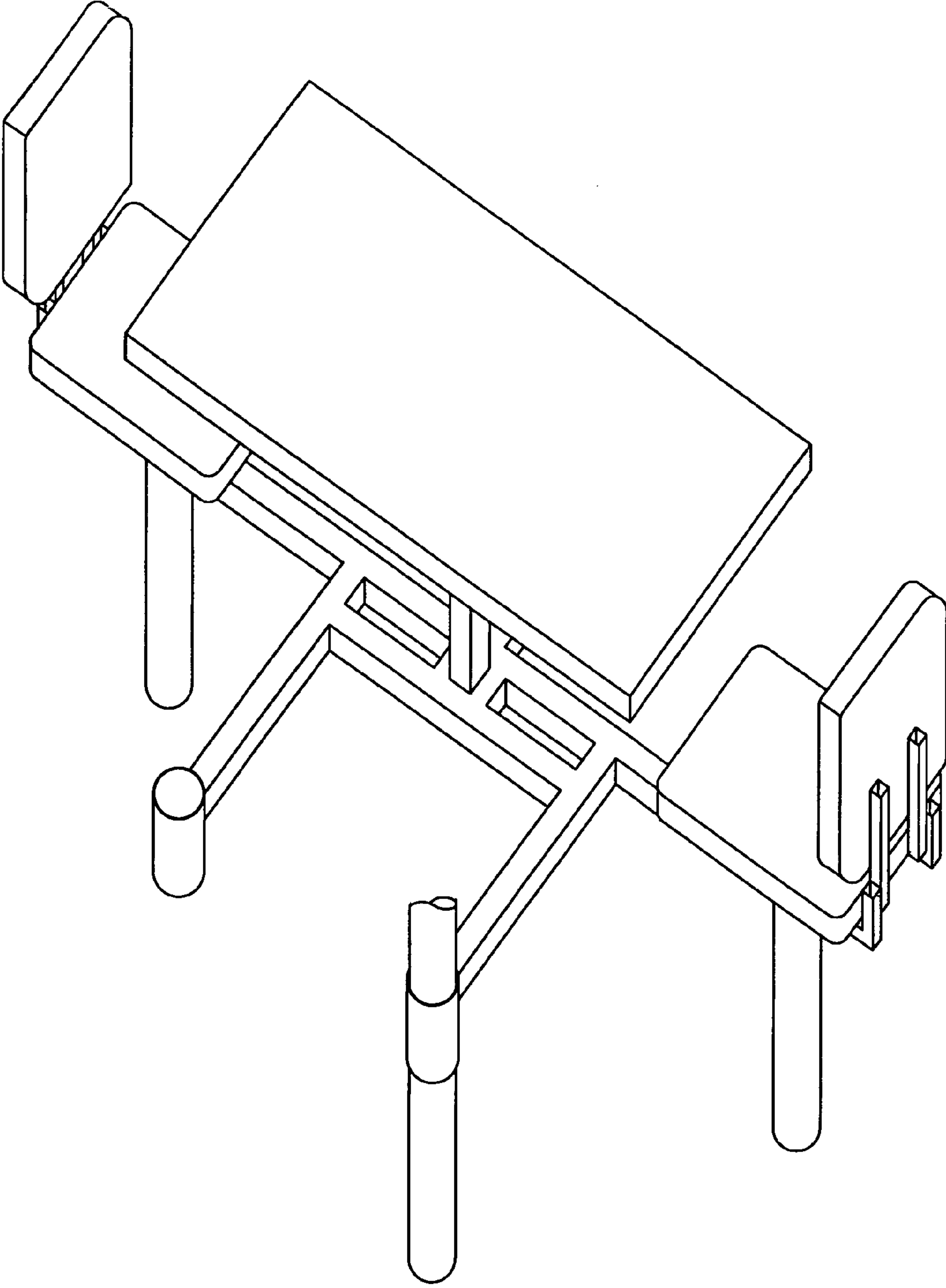


Figure 2