

US00D593740S

(12) **United States Design Patent**  
**McClaskie**

(10) **Patent No.:** **US D593,740 S**  
(45) **Date of Patent:** **\*\* Jun. 9, 2009**

- (54) **OUTSOLE FOR A SHOE**
  - (75) Inventor: **Thomas E. McClaskie**, Bethlehem, PA (US)
  - (73) Assignee: **Columbia Insurance Company**, Omaha, NE (US)
  - (\*\*) Term: **14 Years**
  - (21) Appl. No.: **29/328,081**
  - (22) Filed: **Nov. 18, 2008**
  - (51) **LOC (9) Cl.** ..... **02-04**
  - (52) **U.S. Cl.** ..... **D2/957; D2/951; D2/953; D2/959**
  - (58) **Field of Classification Search** ..... D2/902, D2/906, 908, 947, 951-960; D5/1, 47, 61; 36/3 B, 22 R, 24.5, 25 R, 28, 32 R, 67 A, 36/59 C, 103
- See application file for complete search history.

D502,308 S *	3/2005	Teague	.....	D2/957
D547,933 S	8/2007	Loverin		
D554,838 S *	11/2007	McClaskie	.....	D2/957
D554,840 S *	11/2007	McClaskie	.....	D2/960
D556,433 S *	12/2007	Le	.....	D2/957
D557,883 S *	12/2007	McClaskie	.....	D2/952
D557,886 S *	12/2007	McClaskie	.....	D2/957
D558,963 S	1/2008	McClaskie		
D568,035 S	5/2008	McClaskie		
D569,595 S *	5/2008	Le	.....	D2/960
D571,087 S *	6/2008	Dillenbeck et al.	.....	D2/953
D571,988 S *	7/2008	Dillenbeck	.....	D2/960
D574,130 S *	8/2008	Le	.....	D2/956
2004/0098881 A1 *	5/2004	Flavio et al.	.....	36/25 R
2004/0148804 A1 *	8/2004	Romano et al.	.....	36/103

\* cited by examiner

*Primary Examiner*—Celia A Murphy  
(74) *Attorney, Agent, or Firm*—St. Onge Steward Johnston & Reens LLC

(57) **CLAIM**

The ornamental design for an outsole for a shoe, as shown and described.

**DESCRIPTION**

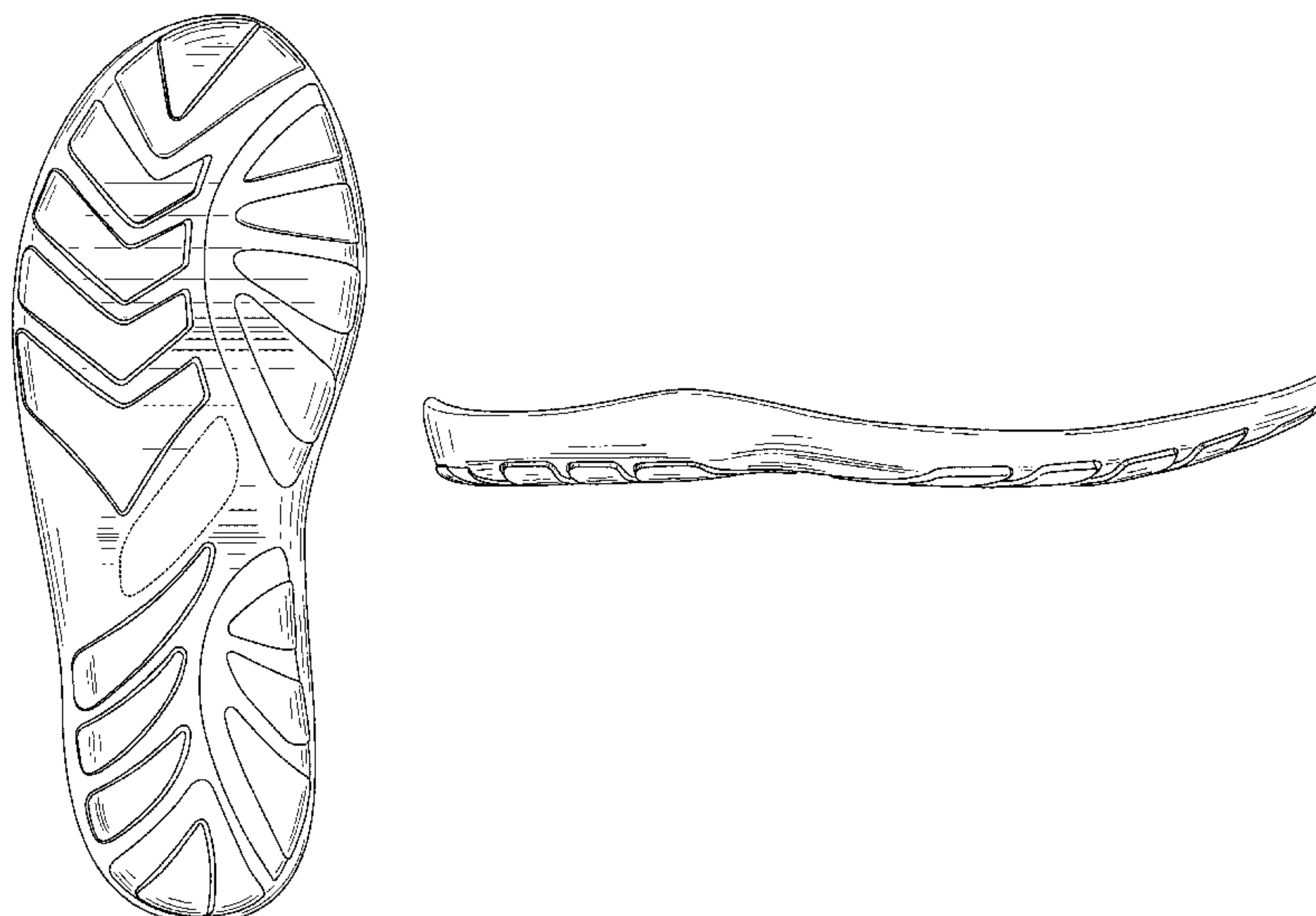
FIG. 1 is a bottom perspective view of an outsole for a shoe in accordance with my new design;  
FIG. 2 is a bottom view thereof;  
FIG. 3 is a left side view thereof;  
FIG. 4 is a right side view thereof;  
FIG. 5 is a front view thereof;  
FIG. 6 is a rear view thereof; and,  
FIG. 7 is an enlarged perspective view of the area labeled “7” in FIG. 1.

The broken lines shown in each arch area of FIGS. 1-2 represent boundaries of the design with the lines themselves and the areas within them forming no part of the claim.

**1 Claim, 5 Drawing Sheets**

(56) **References Cited**  
U.S. PATENT DOCUMENTS

D120,316 S *	4/1940	Reeves	.....	D2/959
D124,794 S *	1/1941	Kavenagh et al.	.....	D2/959
2,408,214 A *	9/1946	Husted	.....	36/59 C
2,722,756 A *	11/1955	Ecclesine	.....	36/59 C
3,662,478 A *	5/1972	Schwab	.....	36/59 C
D287,185 S *	12/1986	Sironi	.....	D2/957
D335,953 S	6/1993	Tyng		
D368,796 S *	4/1996	Fabio	.....	D2/960
D414,922 S *	10/1999	Wright	.....	D2/960
6,065,230 A *	5/2000	James	.....	36/25 R
6,205,683 B1 *	3/2001	Clark et al.	.....	36/30 R
D468,083 S	1/2003	Morais		
D474,584 S	5/2003	Matis		
D487,617 S *	3/2004	Akhidime	.....	D2/957
D487,840 S *	3/2004	Hillyer	.....	D2/960
D495,476 S *	9/2004	Recchi	.....	D2/953
6,836,979 B2 *	1/2005	Flavio et al.	.....	36/103
D501,707 S	2/2005	Nakano		



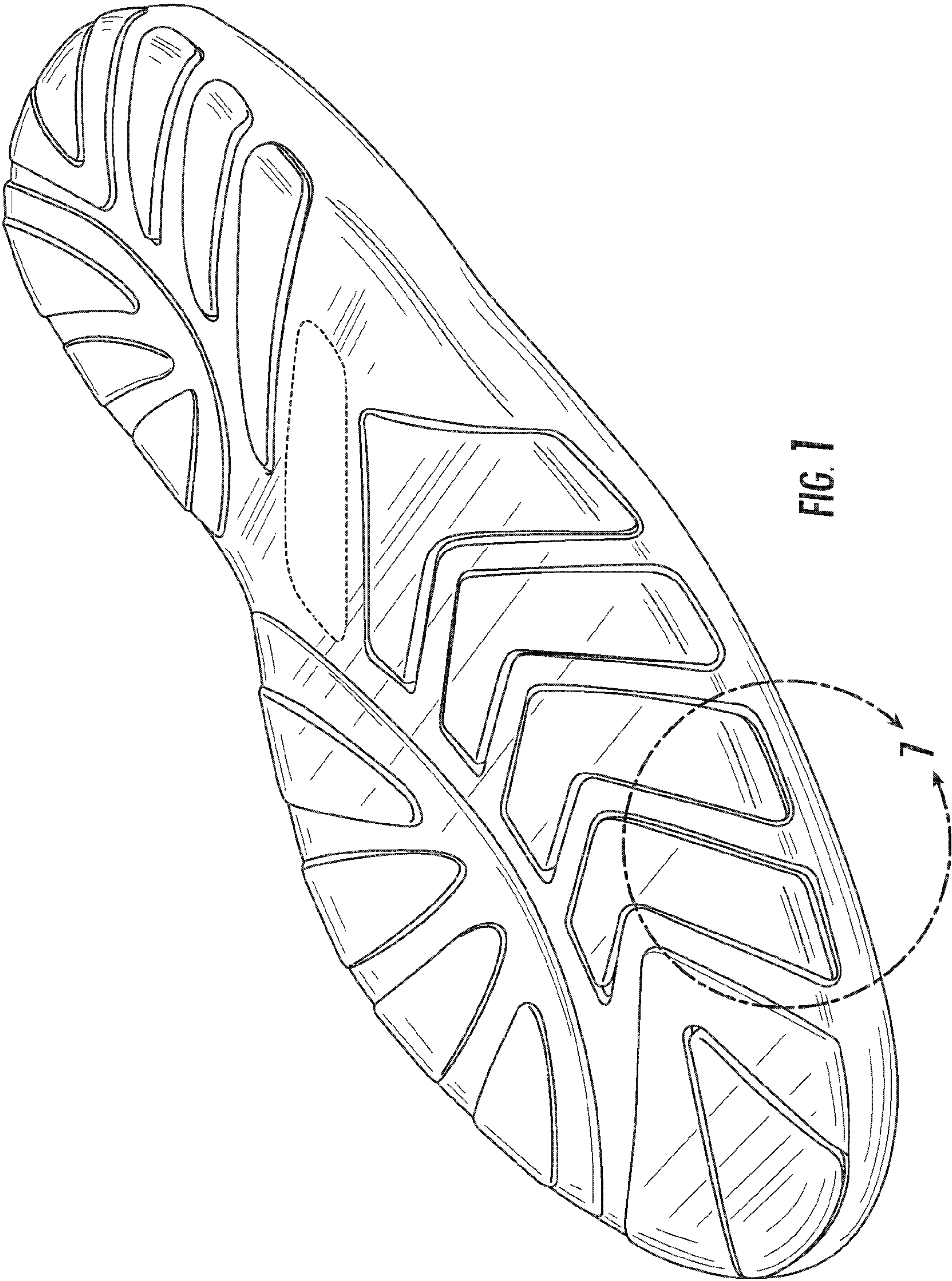


FIG. 1



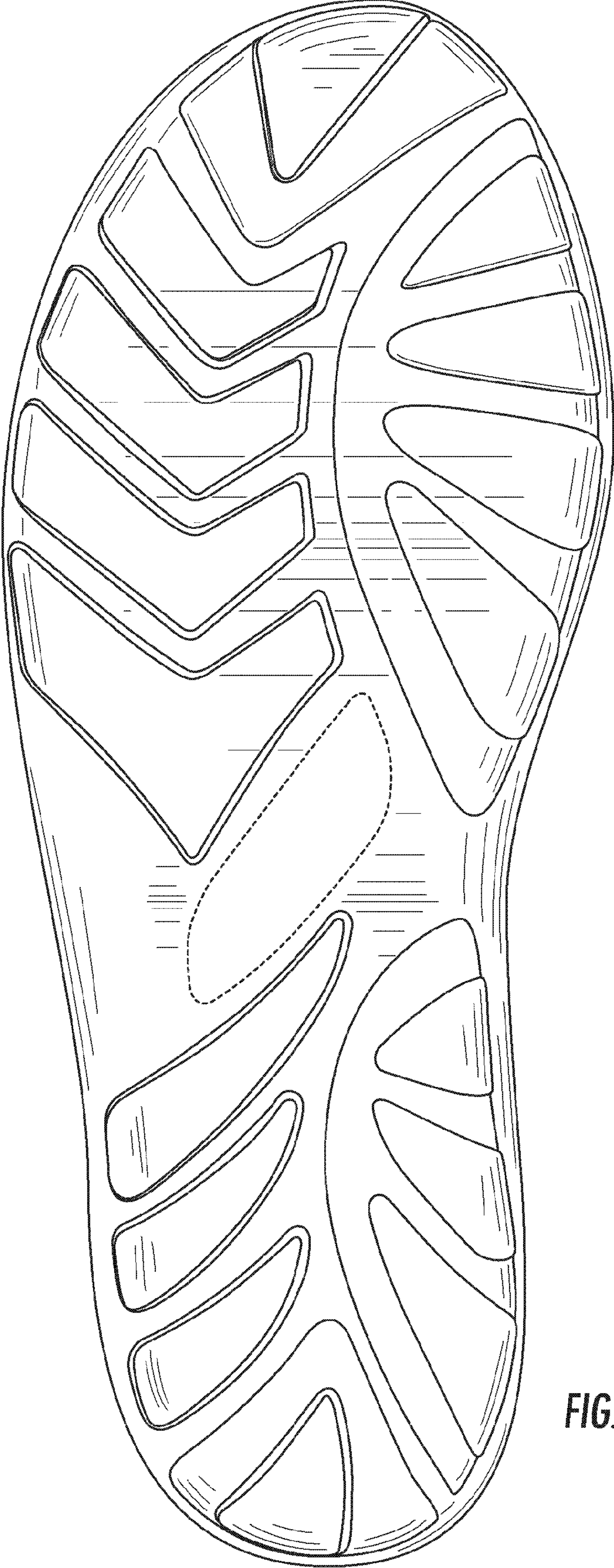


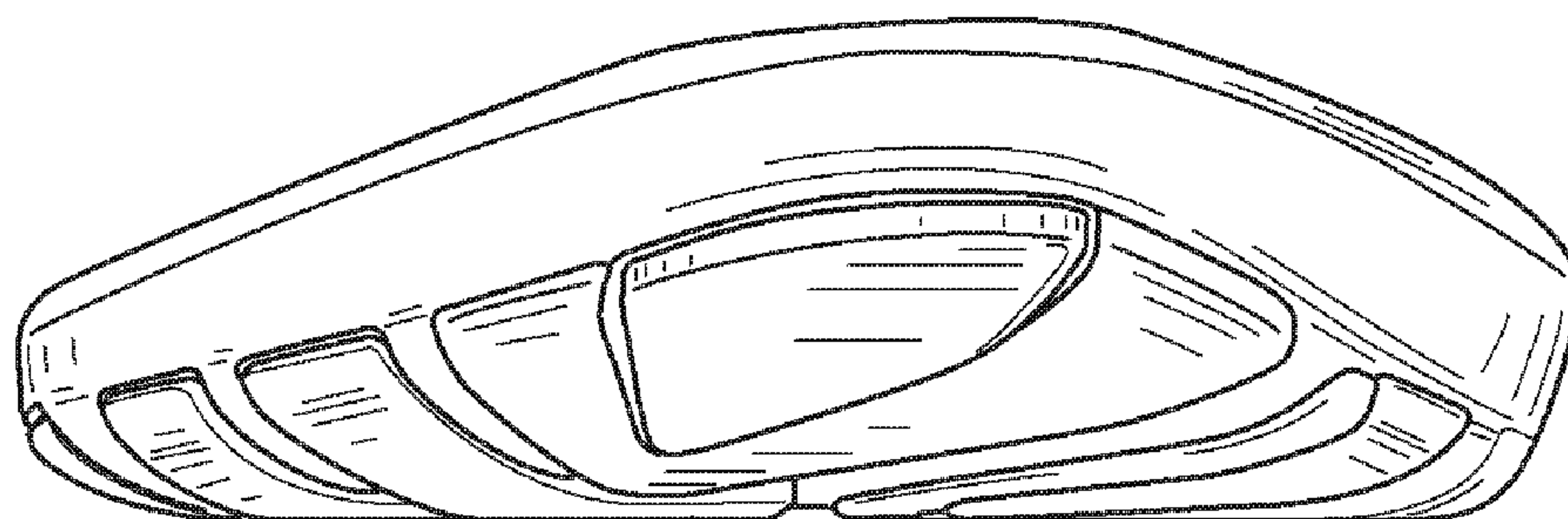
FIG. 2



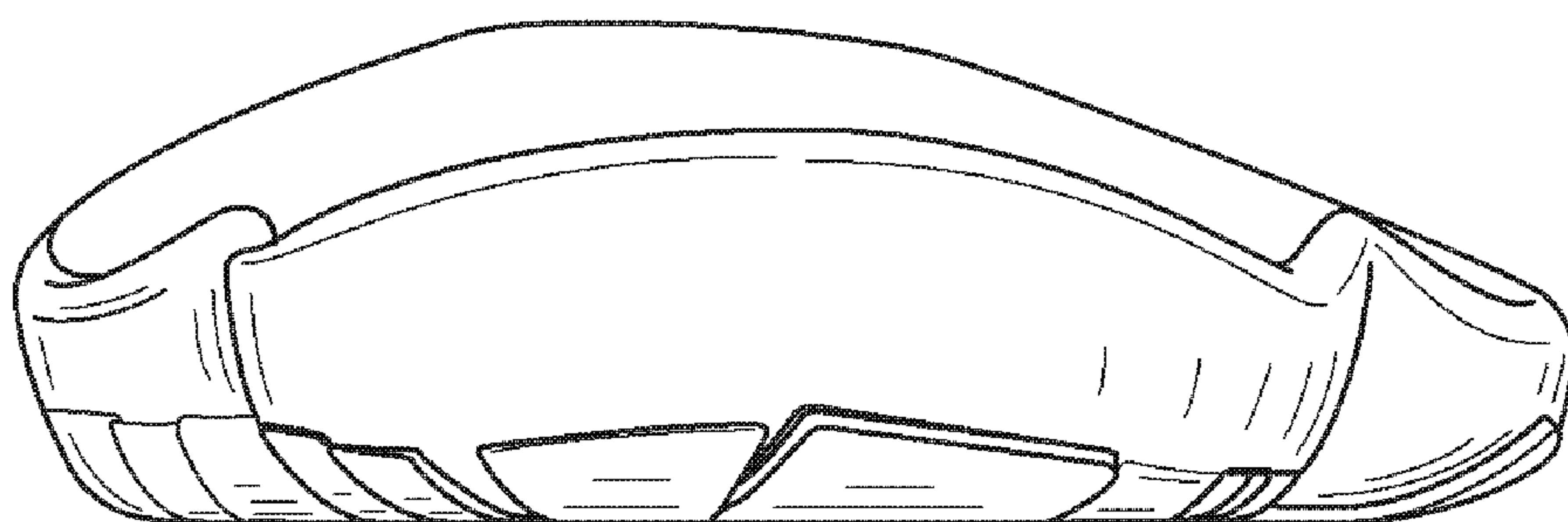
FIG. 3



FIG. 4



**FIG. 5**



**FIG. 6**



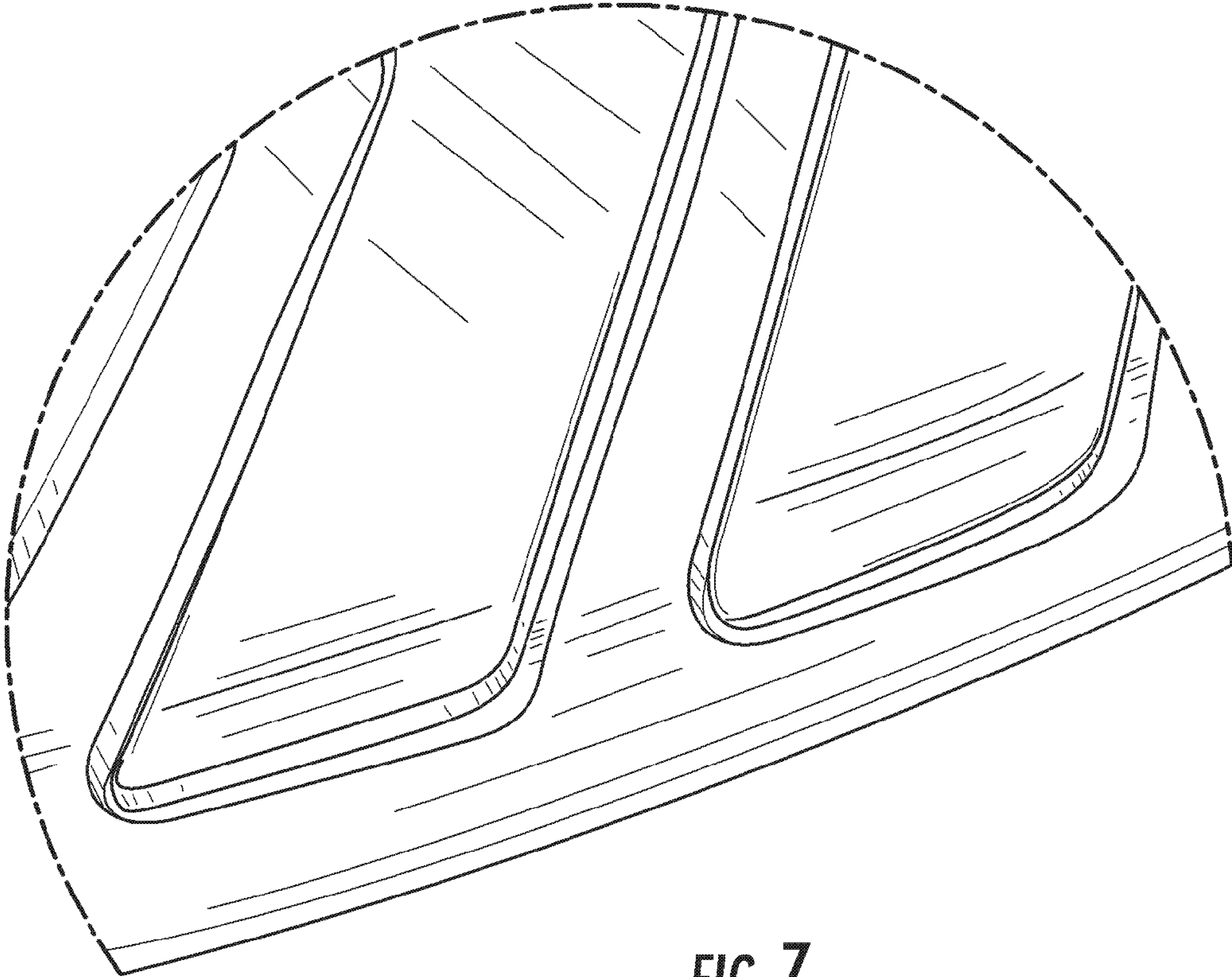


FIG. 7