



US00D593729S

(12) **United States Design Patent**
McLaughlin

(10) **Patent No.:** **US D593,729 S**
(45) **Date of Patent:** **** *Jun. 9, 2009**

(54) **HAT**

(76) **Inventor:** **Gerald McLaughlin**, 1370-30 Fieldlight Boulevard, Pickering, Ontario (CA) L1V 2S7

(**) **Term:** **14 Years**

(21) **Appl. No.:** **29/279,128**

(22) **Filed:** **Apr. 20, 2007**

(30) **Foreign Application Priority Data**

Oct. 20, 2006 (CA) 117970

(51) **LOC (9) Cl.** **02-03**

(52) **U.S. Cl.** **D2/868; D2/895**

(58) **Field of Classification Search** D2/865,
D2/866, 867, 869, 871, 872, 873, 874, 875,
D2/876, 877, 879, 881, 882, 884, 885, 886,
D2/887, 891, 892, 893, 894, 895, 868, 870,
D2/878, 888, 889; D29/106; 2/10, 171,
2/171.04, 171.1, 171.4, 171.6, 171.8, 174,
2/175.1, 175.3, 175.9, 200.1, 209.11, 209.12,
2/209.13, 209.5, 209.7, 410

See application file for complete search history.

(56) **References Cited**

U.S. PATENT DOCUMENTS

- 1,196,411 A * 8/1916 Welch 2/9
- 1,434,607 A * 11/1922 Gilson 132/274
- 2,136,678 A * 11/1938 Dym 2/418
- 2,617,988 A * 11/1952 Alesi 2/416
- D170,399 S 9/1953 Briers
- 4,933,993 A * 6/1990 McClelland 2/424
- 5,351,341 A * 10/1994 Broersma 2/412
- D362,743 S * 10/1995 Martin D2/872
- D364,264 S 11/1995 Sheer
- D366,539 S * 1/1996 Lackovic D29/106
- D373,894 S * 9/1996 Turner D2/881
- 5,619,756 A * 4/1997 Garneau 2/425
- D396,546 S * 8/1998 Marrs D2/881
- 5,862,528 A * 1/1999 Saijo et al. 2/411
- 5,983,400 A 11/1999 Kronenberger

- D417,941 S * 12/1999 Bass D2/869
- D419,449 S * 1/2000 Adams D9/451
- D419,752 S 2/2000 Hathaway
- D426,938 S * 6/2000 Helbig D2/869
- D434,532 S 11/2000 Moscatello
- 6,167,569 B1 * 1/2001 Conner, IV 2/209.11
- 6,237,159 B1 * 5/2001 Martin 2/209.12
- D483,927 S * 12/2003 Appleberry D2/882
- 6,711,751 B1 * 3/2004 Muskovitz 2/410
- D488,292 S * 4/2004 Haggberg D2/866
- 6,772,447 B2 * 8/2004 Morrow et al. 2/424

(Continued)

Primary Examiner—Elizabeth A Albert

Assistant Examiner—Karen E Eldridge Powers

(74) *Attorney, Agent, or Firm*—Dann, Dorfman, Herrell & Skillman, PC

(57) **CLAIM**

The ornamental design for a hat, substantially as shown and described.

DESCRIPTION

FIG. 1 is a top view of the design for a hat;

FIG. 2 is a side view of the design for a hat;

FIG. 3 is a front perspective view of the design for a hat;

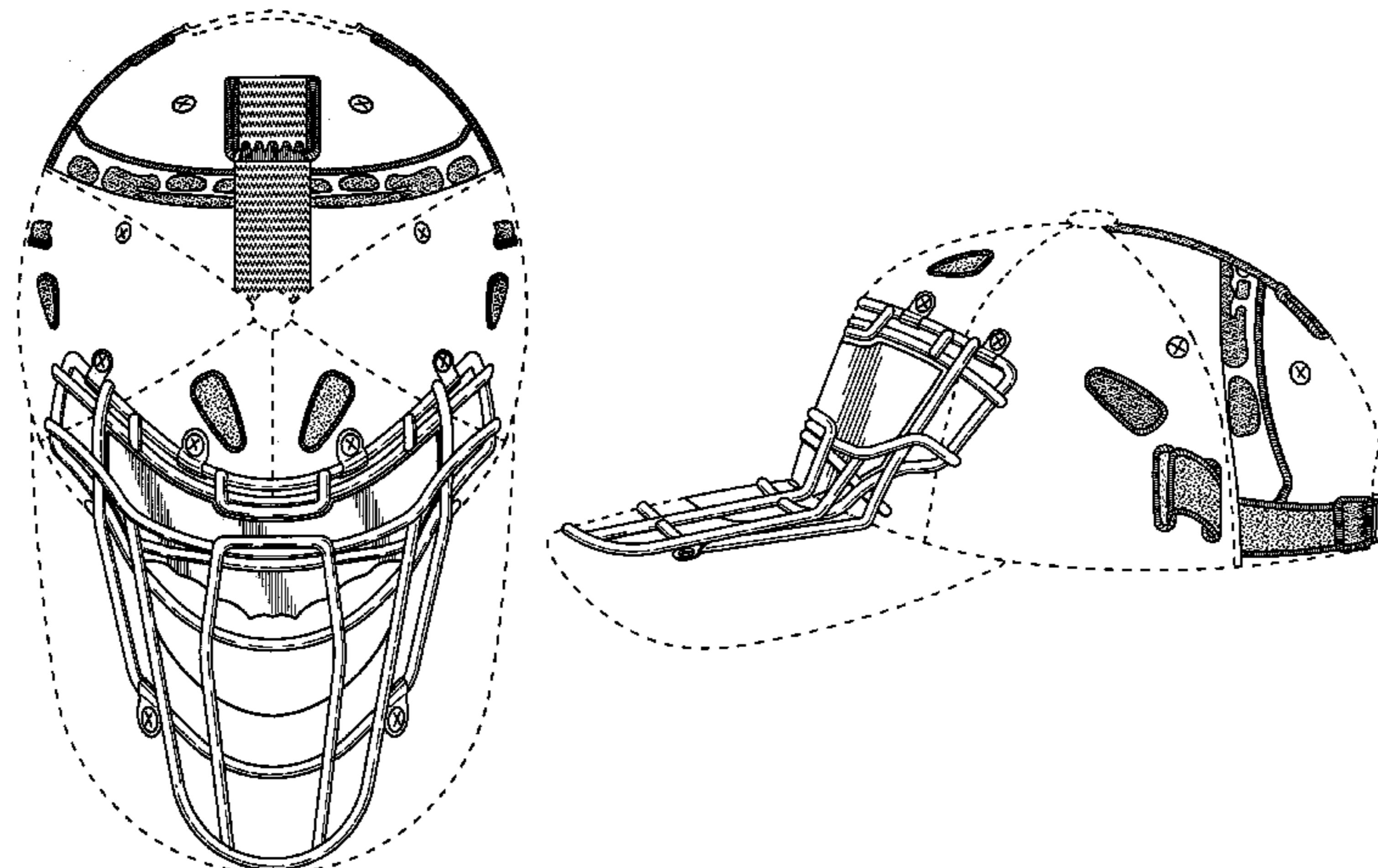
FIG. 4 is a front view of the design for a hat; and,

FIG. 5 is a rear view of the design for a hat.

The short hatch marks on the periphery of the triangle-like shapes which represent embroidery and the stippling inside the triangle-like shapes which represents material, are part of the claimed design. The hat which is shown in broken lines illustrates environmental matter and forms no part of the claimed design.

The entire surface of the hat which is in broken lines is shown for environmental purposes only and forms no part of the claimed design.

1 Claim, 4 Drawing Sheets



US D593,729 S

Page 2

U.S. PATENT DOCUMENTS

D505,775 S *	6/2005	Cho	D2/869	D541,508 S *	5/2007	Day	D2/866
D507,923 S	8/2005	Hathaway			2001/0011388 A1 *	8/2001	Nelson et al.	2/425
6,938,272 B1 *	9/2005	Brown	2/9	2006/0010579 A1 *	1/2006	Wiles	2/410
D514,281 S *	2/2006	Cho	D2/875	2007/0151003 A1 *	7/2007	Shih	2/424
7,174,573 B1 *	2/2007	Chen et al.	2/209.5					

* cited by examiner

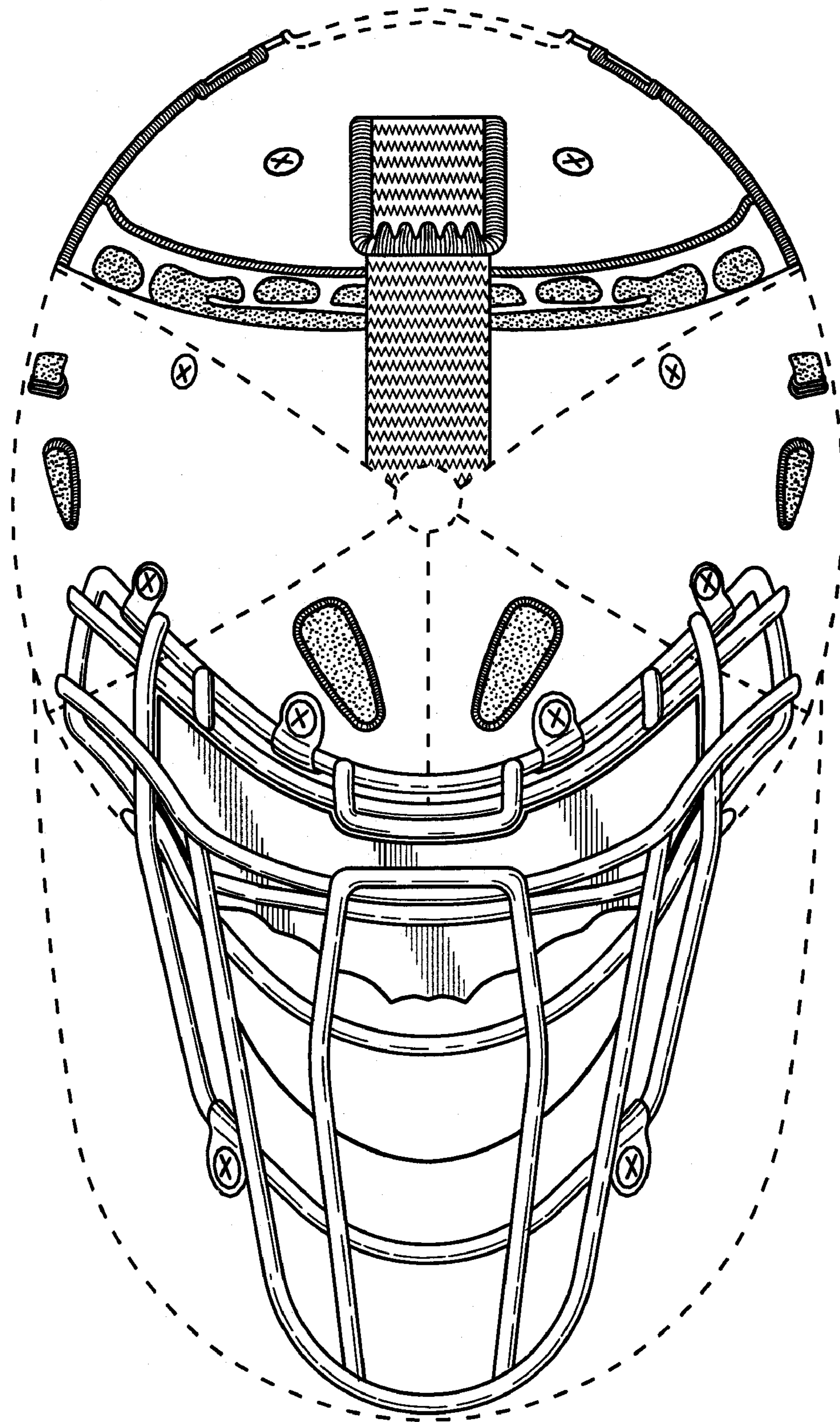


FIG. 1

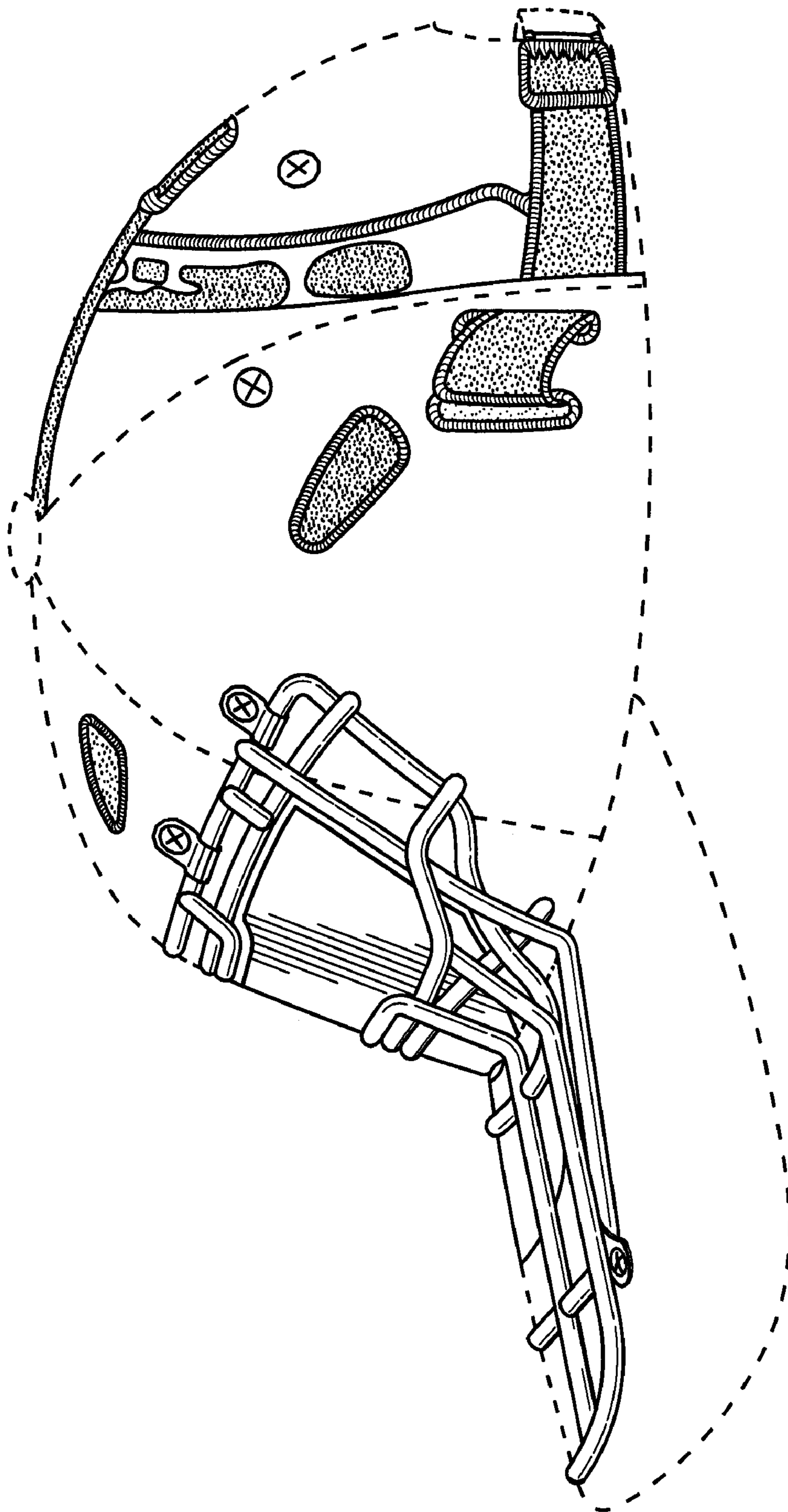


FIG.2

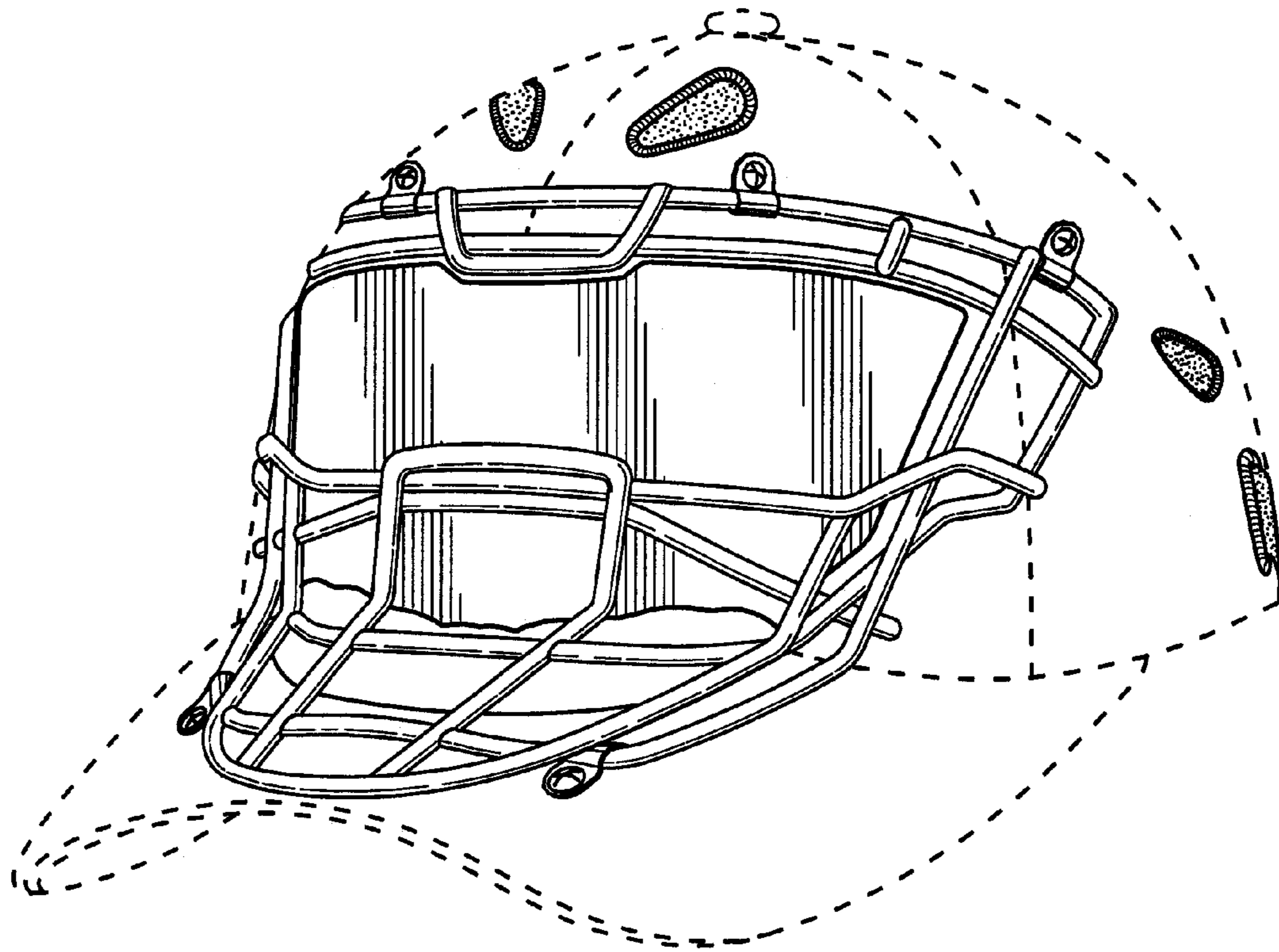


FIG.3

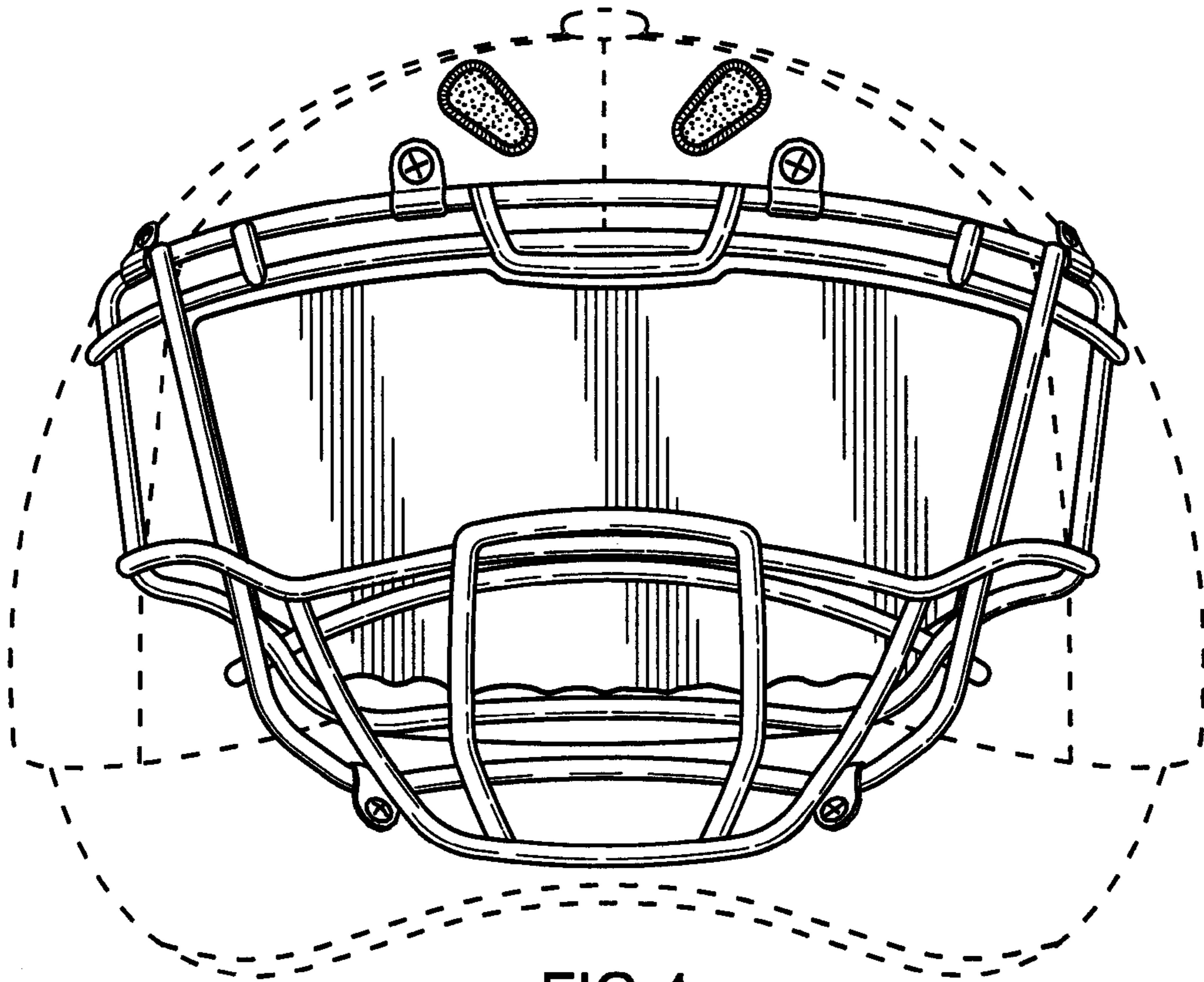


FIG. 4

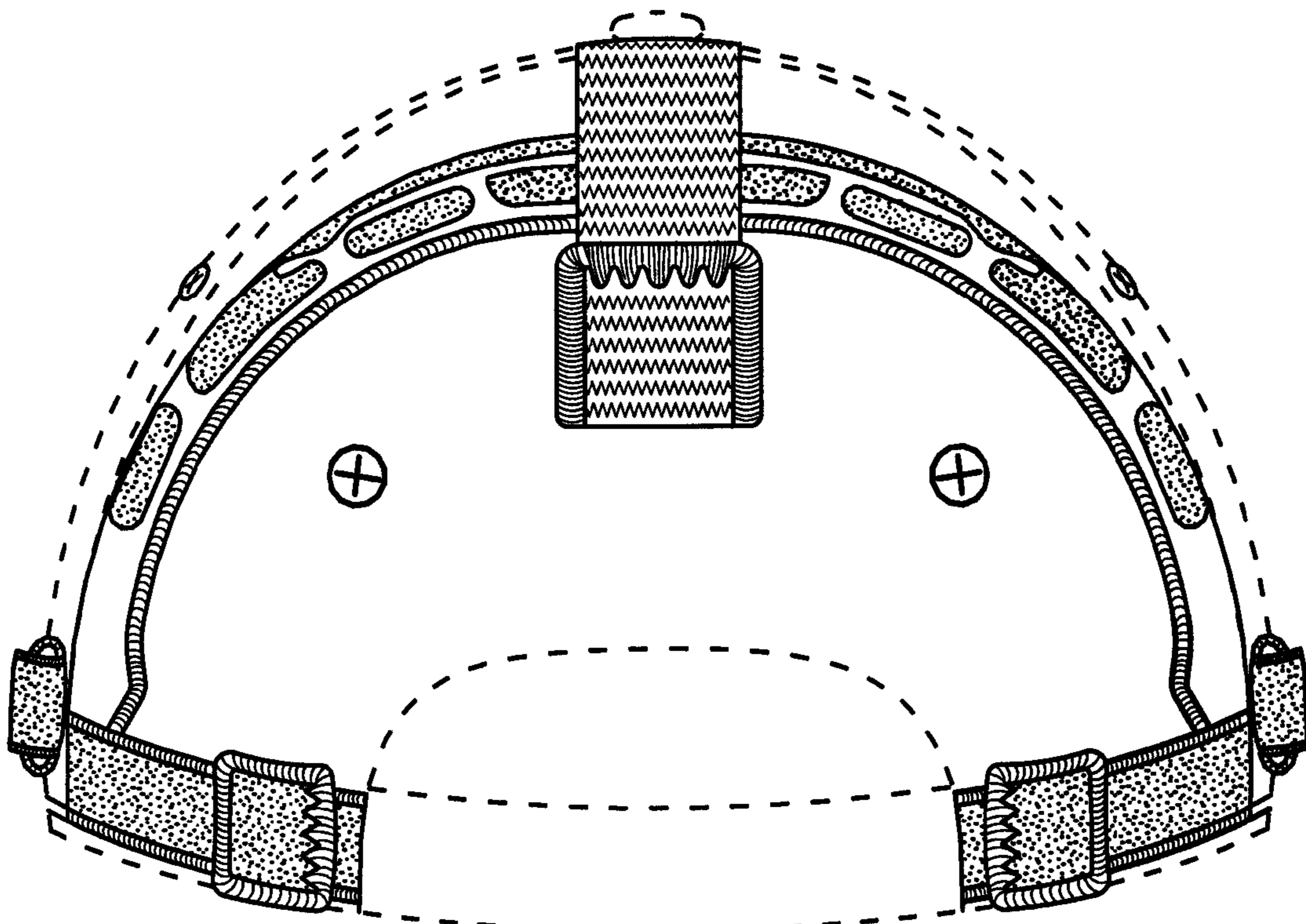


FIG. 5