



US00D593724S

(12) **United States Design Patent**
Heinz

(10) **Patent No.:** **US D593,724 S**
(45) **Date of Patent:** **** Jun. 2, 2009**

(54) **TRAILER RAMP**

(76) Inventor: **Richard N. Heinz**, 8506 M-5 Rd.,
Gladstone, MI (US) 49837

(**) Term: **14 Years**

(21) Appl. No.: **29/306,210**

(22) Filed: **Apr. 4, 2008**

(51) **LOC (9) Cl.** **12-05**

(52) **U.S. Cl.** **D34/32**

(58) **Field of Classification Search** D34/32,
D34/28, 31; 254/88; 152/213 R; D12/217
See application file for complete search history.

(56) **References Cited**

U.S. PATENT DOCUMENTS

2,184,061	A *	12/1939	Skroback	254/88
5,033,146	A *	7/1991	Fogarty et al.	14/69.5
RE34,889	E *	4/1995	Fogarty et al.	14/69.5
5,446,937	A *	9/1995	Haskins	14/69.5
D365,908	S *	1/1996	Pesznecker	D34/32
D521,710	S *	5/2006	Goldschmidt	D34/32
7,104,524	B1 *	9/2006	Hidding et al.	254/88
D567,471	S *	4/2008	Haimoff	D34/33

2005/0132511	A1 *	6/2005	Berg	14/69.5
2006/0027794	A1 *	2/2006	Heinz	254/88
2007/0034843	A1 *	2/2007	Reamsnyder et al.	254/88

* cited by examiner

Primary Examiner—Cynthia E Ramirez

(74) *Attorney, Agent, or Firm*—Barlow, Josephs & Holmes,
Ltd.

(57) **CLAIM**

The ornamental design for a trailer ramp, as shown and described.

DESCRIPTION

FIG. 1 is a perspective view of a trailer ramp, showing my new design;

FIG. 2 is a right side view thereof, the left side view being a mirror image thereof;

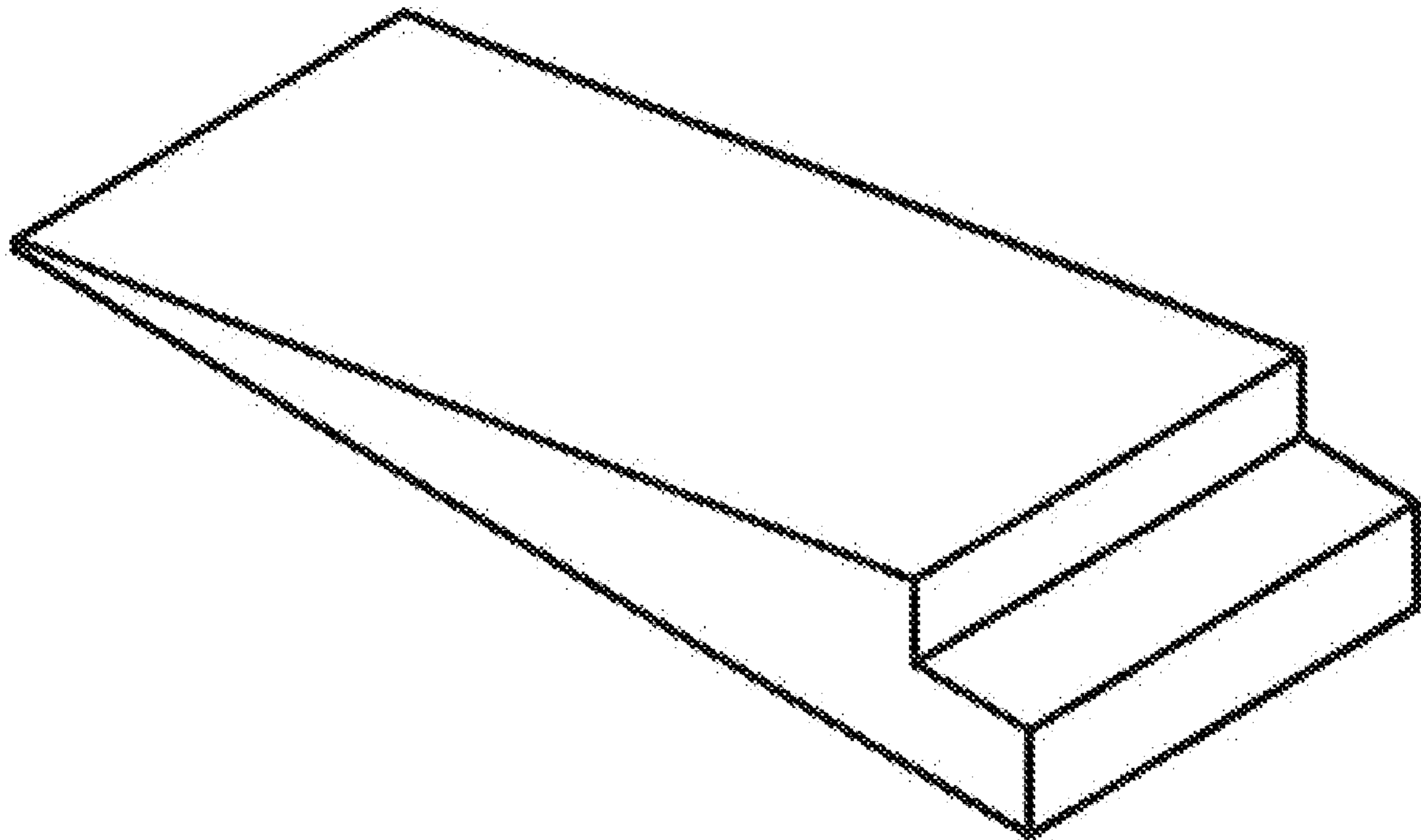
FIG. 3 is a rear view thereof;

FIG. 4 is a front view thereof;

FIG. 5 is a top view thereof; and,

FIG. 6 is a bottom view thereof.

1 Claim, 3 Drawing Sheets



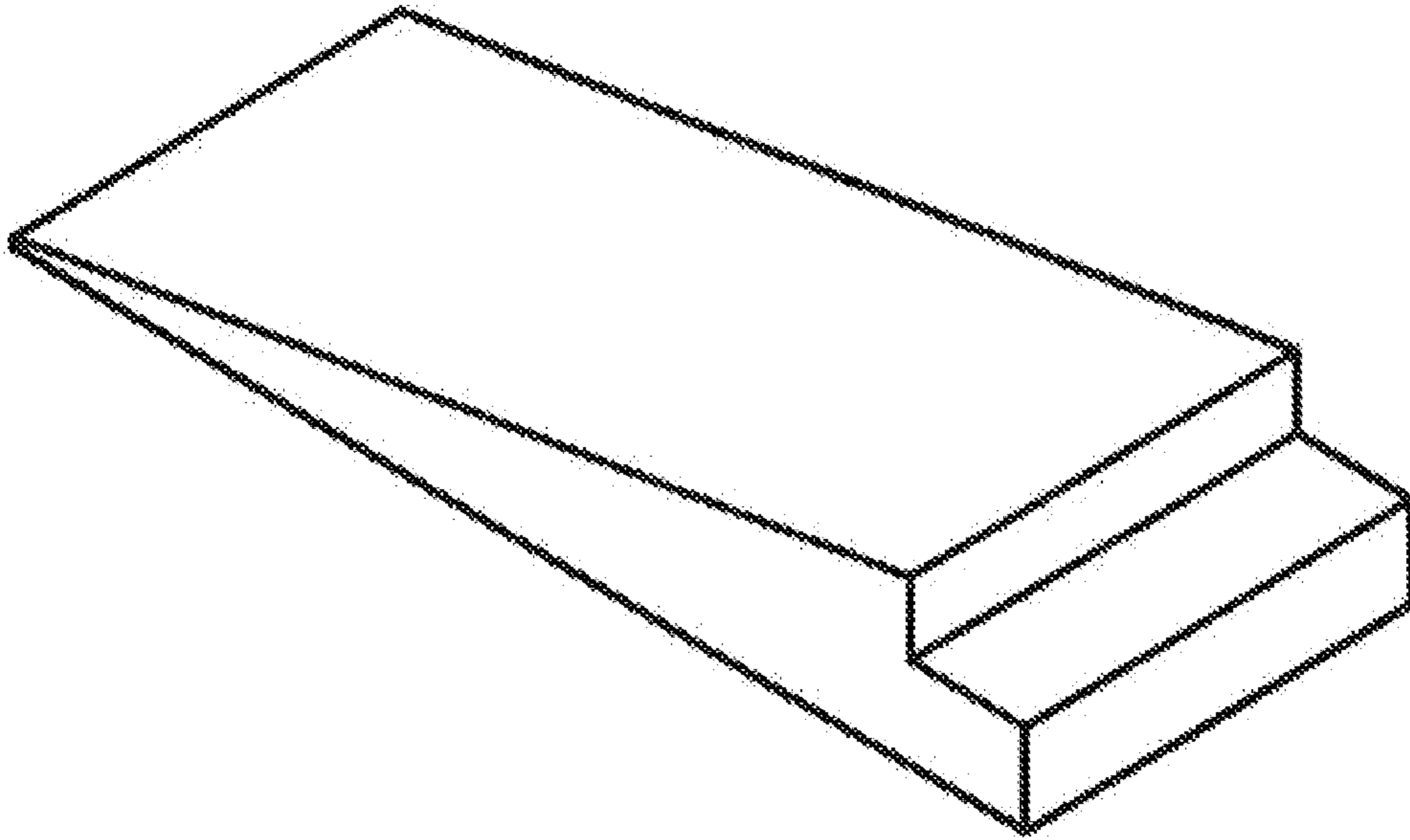


FIG. 1

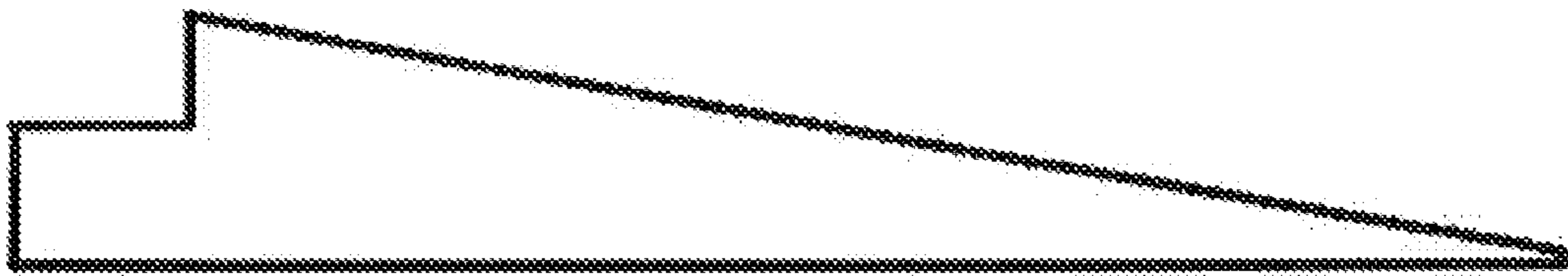


FIG. 2



FIG. 3



FIG. 4

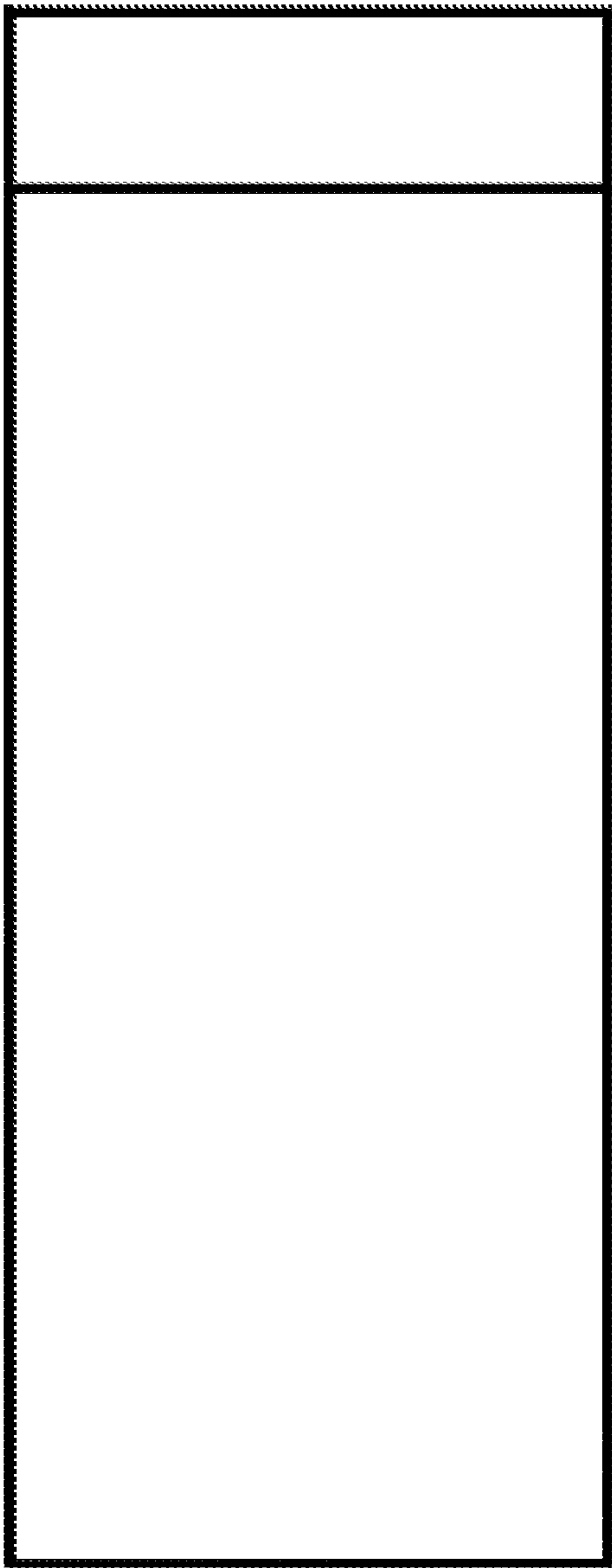


FIG. 5

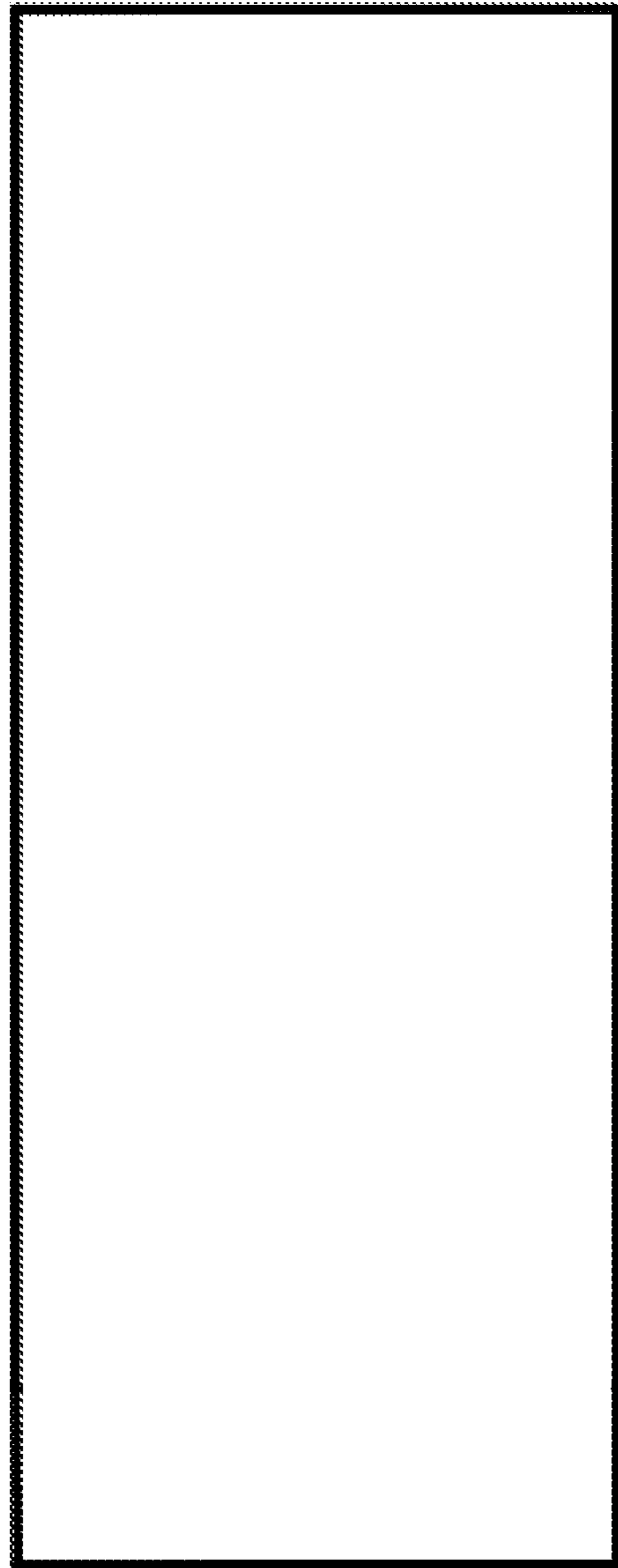


FIG. 6