



US00D593721S

(12) **United States Design Patent**  
**Koll**

(10) **Patent No.:** **US D593,721 S**

(45) **Date of Patent:** **\*\* Jun. 2, 2009**

(54) **LEAF AND DEBRIS CHUTE**

2008/0023595 A1\* 1/2008 Armaly, Jr. .... 248/97

(76) Inventor: **Christopher J. Koll**, 9834 Hickory Dr.,  
Urbandale, IA (US) 50322

\* cited by examiner

*Primary Examiner*—Cynthia E Ramirez

(74) *Attorney, Agent, or Firm*—G. Brian Pingel; Camille L.  
Urban

(\*\*) Term: **14 Years**

(21) Appl. No.: **29/293,334**

(57) **CLAIM**

(22) Filed: **Nov. 16, 2007**

The ornamental design for a leaf and debris chute, as shown  
and described.

(51) **LOC (9) Cl.** ..... **09-09**

(52) **U.S. Cl.** ..... **D34/5**

(58) **Field of Classification Search** ..... D34/1,  
D34/5, 6; 220/908; 248/95, 97, 99, 100,  
248/101; 193/2 R, 3, 46, 15

**DESCRIPTION**

See application file for complete search history.

FIG. 1 is a front side perspective view of a leaf and debris  
chute showing my new design;

FIG. 2 is a top plan view thereof;

FIG. 3 is a bottom plan thereof;

FIG. 4 is a left side elevational view thereof;

FIG. 5 is a right side elevational view thereof;

FIG. 6 is a rear side elevational view thereof; and,

FIG. 7 is a perspective view similar to that of FIG. 1, but  
including broken lines showing a trash bag in condition of use  
with my new design.

(56) **References Cited**

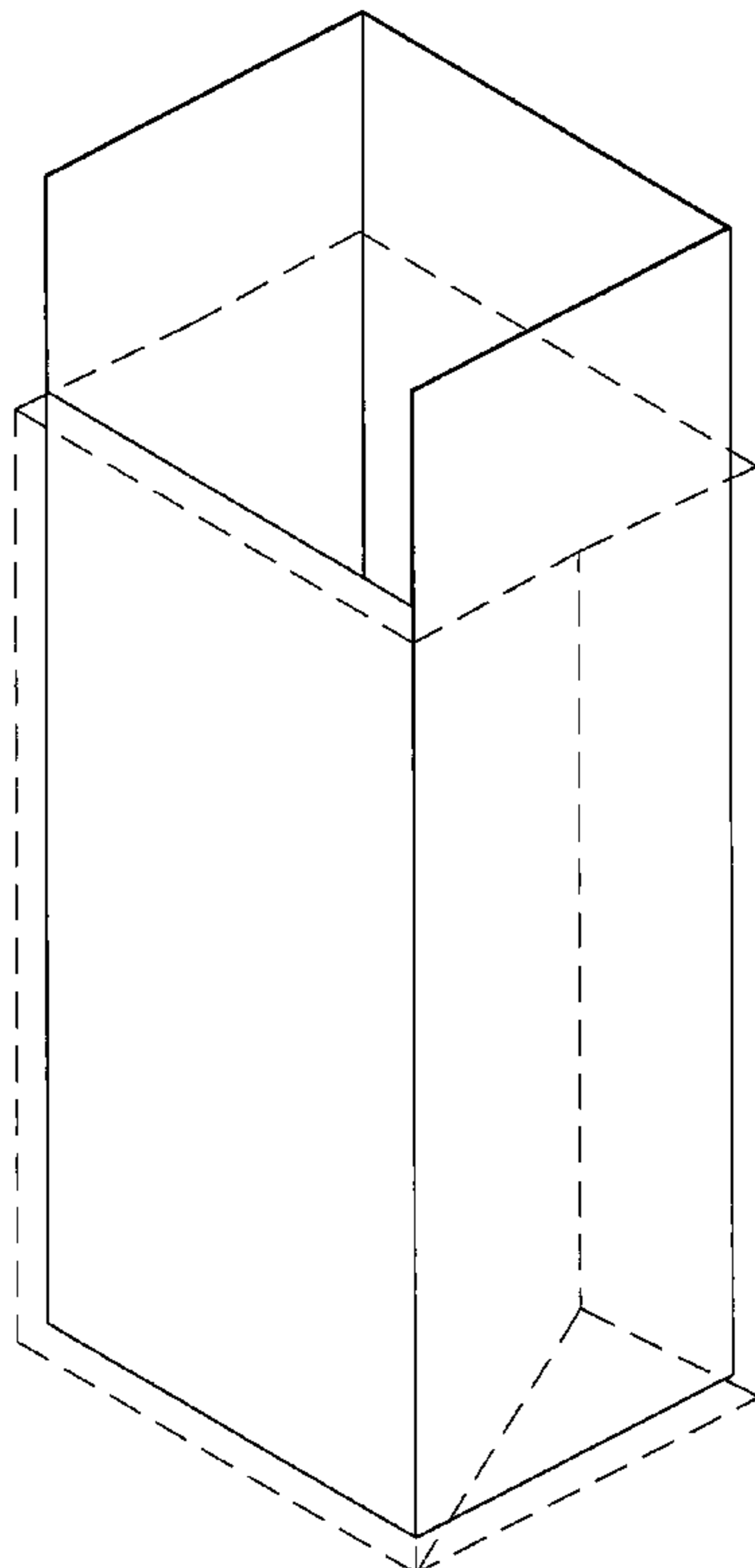
**U.S. PATENT DOCUMENTS**

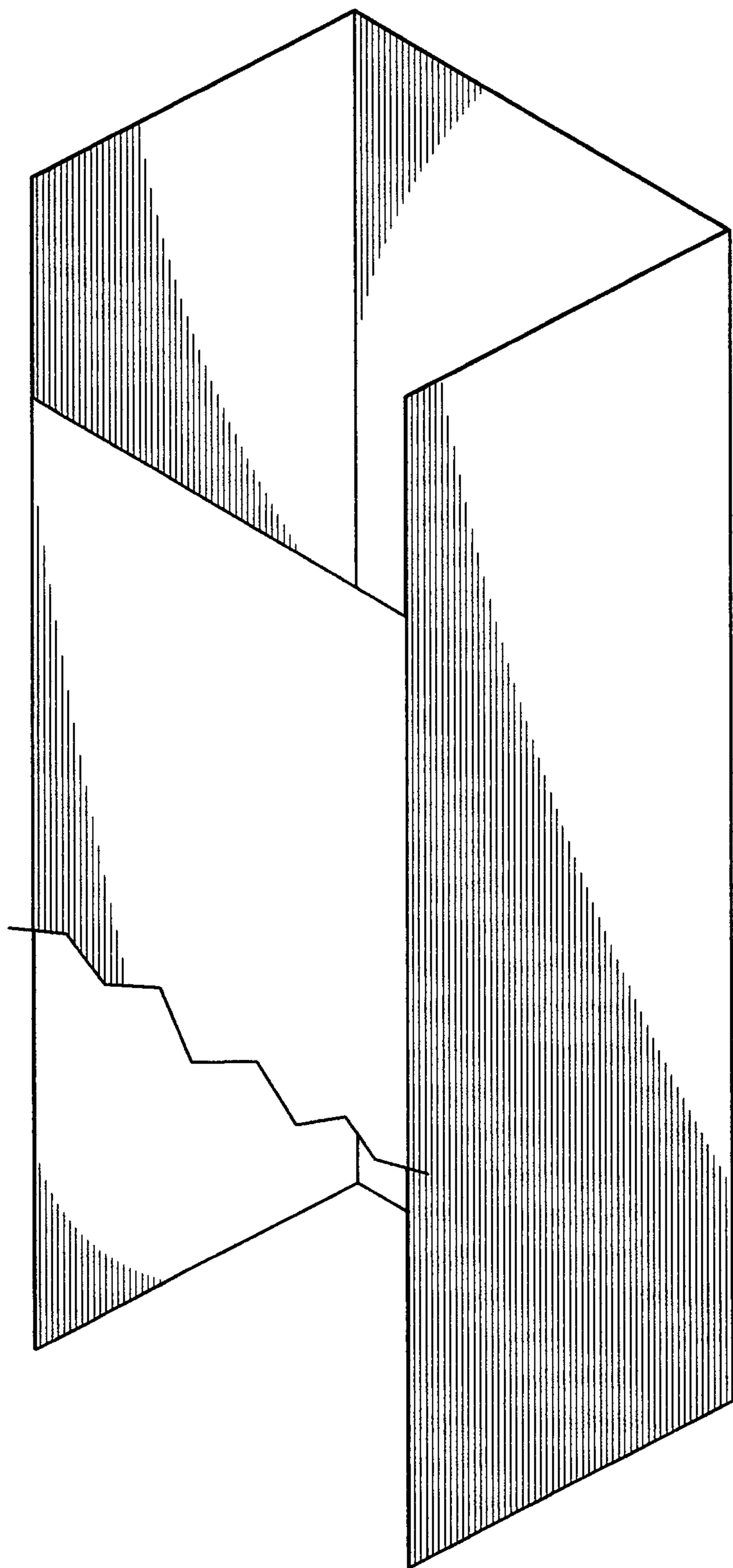
4,115,909	A *	9/1978	Corella	.....	229/198.2
4,338,979	A *	7/1982	Dow	.....	141/10
4,760,982	A *	8/1988	Cooke	.....	248/99
4,890,652	A *	1/1990	Hoerner	.....	141/10
D309,966	S *	8/1990	Bishop	.....	D34/5
4,948,266	A *	8/1990	Bencic	.....	383/34
5,292,093	A *	3/1994	Shumake	.....	248/97
5,897,084	A *	4/1999	Judge	.....	248/95
6,415,713	B1 *	7/2002	Abrams	.....	100/246
6,536,488	B1 *	3/2003	Pochobradsky	.....	141/390
D513,352	S *	12/2005	Weathers et al.	.....	D34/5
D523,604	S *	6/2006	Wiley	.....	D34/6
D567,464	S *	4/2008	Dullum	.....	D34/6
2004/0026578	A1 *	2/2004	King et al.	.....	248/95

The front panel of the chute is shown broken away in FIG. 1  
for convenience of illustration.

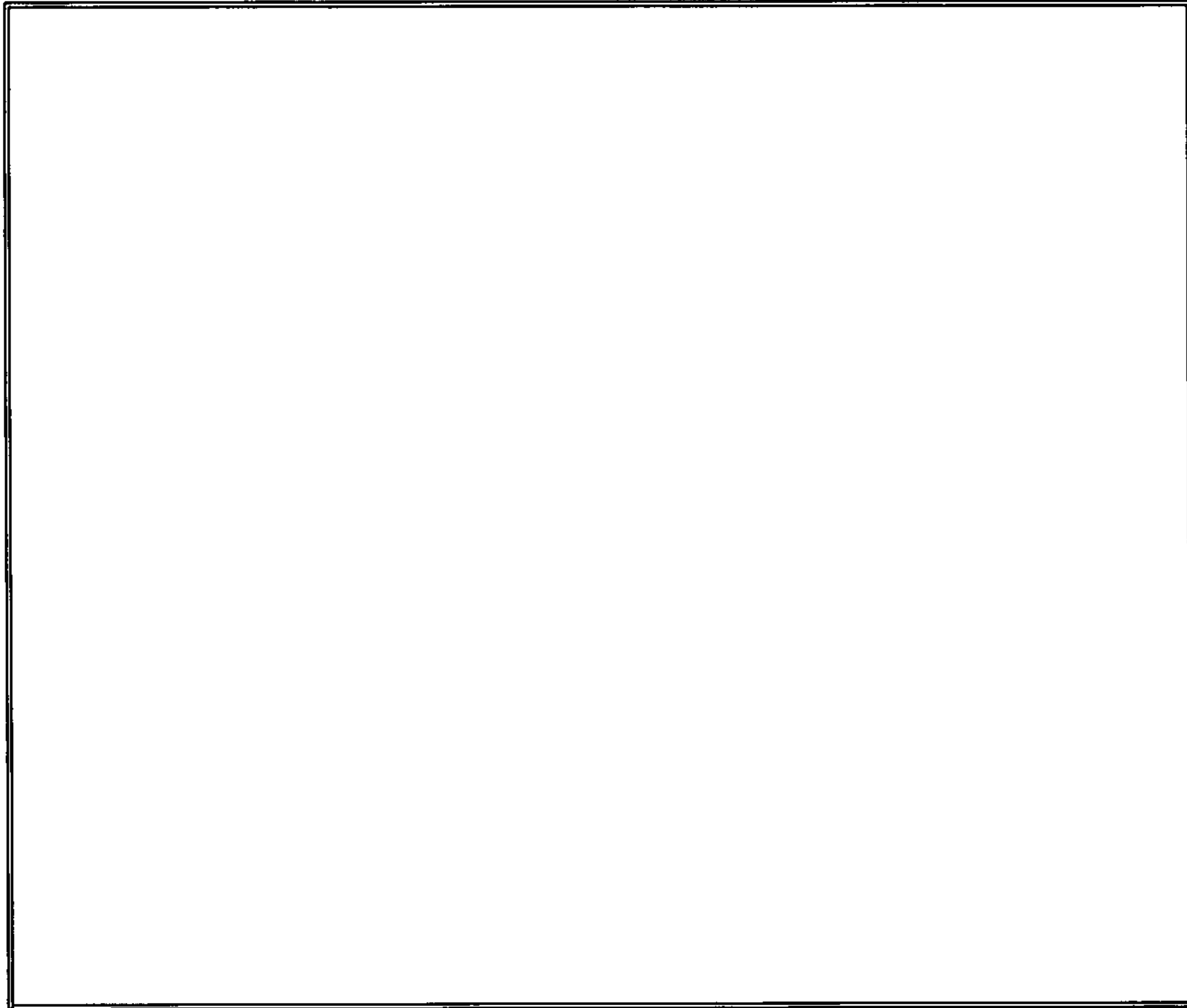
The broken line showing of a bag in FIG. 7 is included for the  
purpose of illustrating environment and forms no part of the  
claimed design.

**1 Claim, 7 Drawing Sheets**

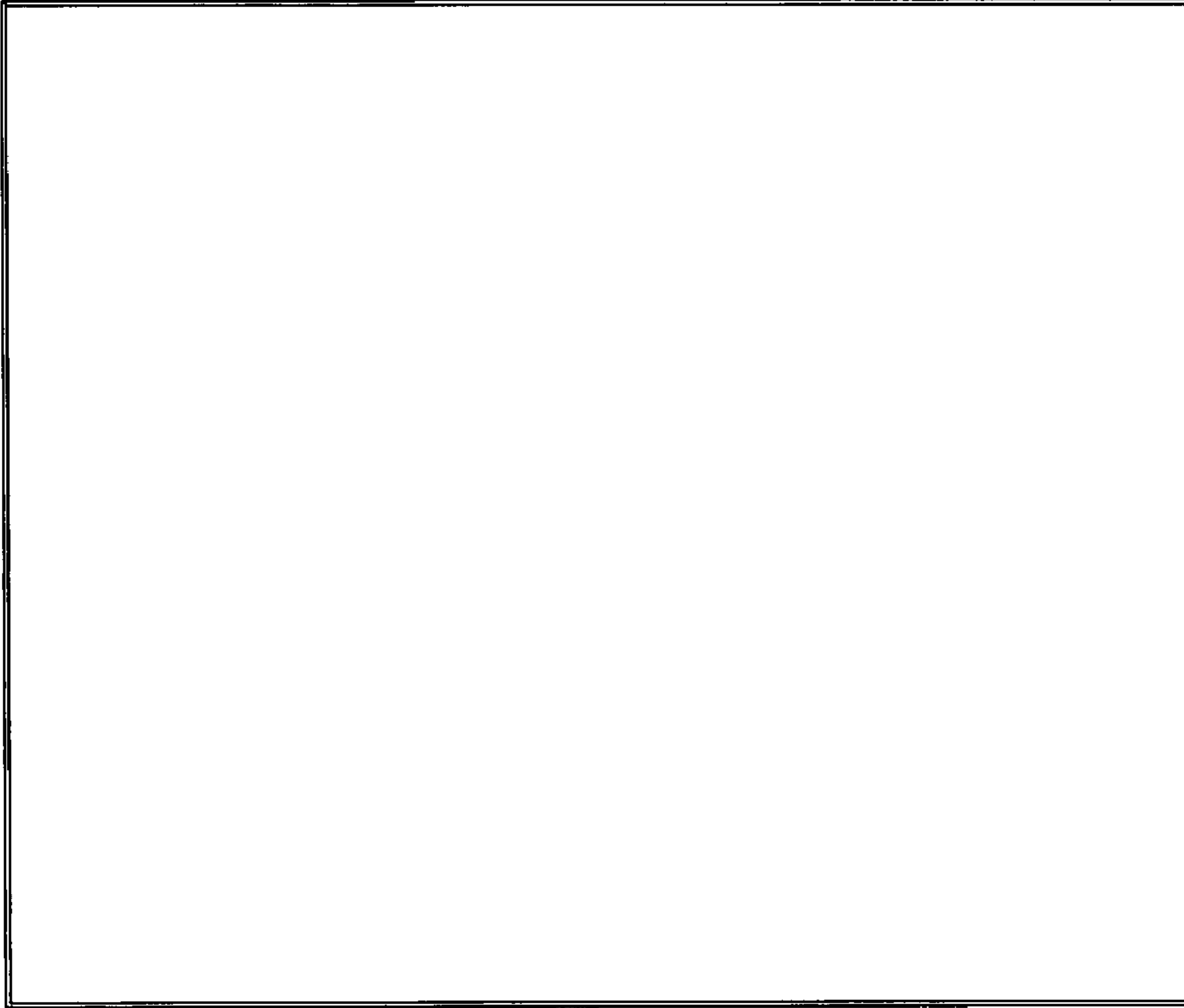




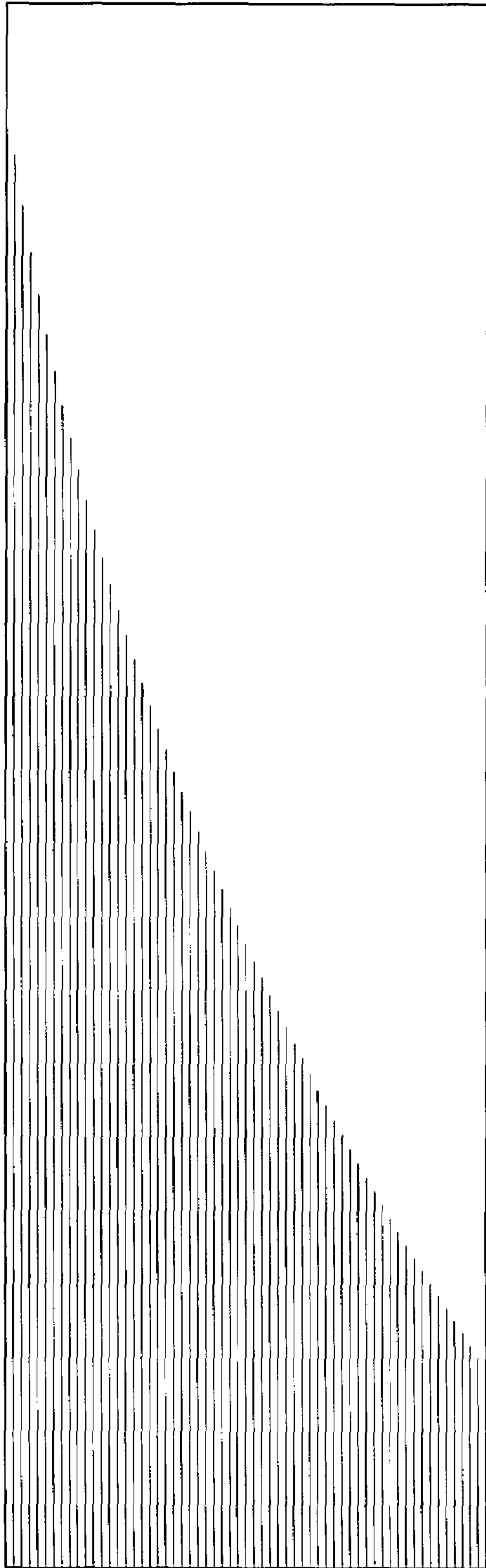
*Fig. 1*



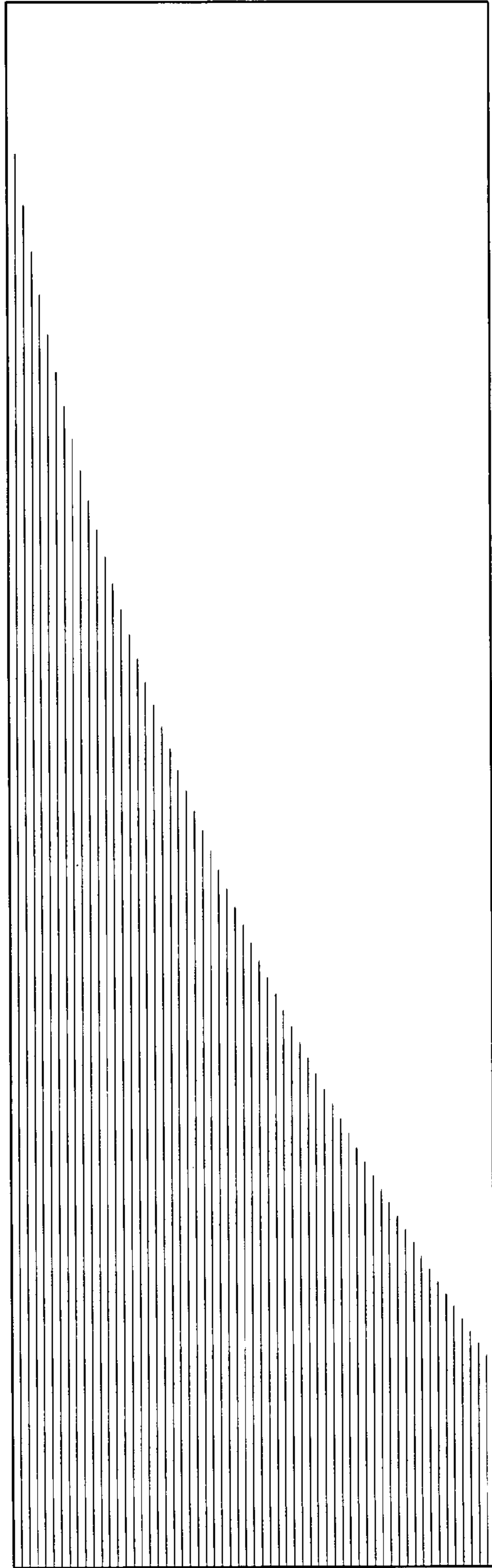
*Fig. 2*



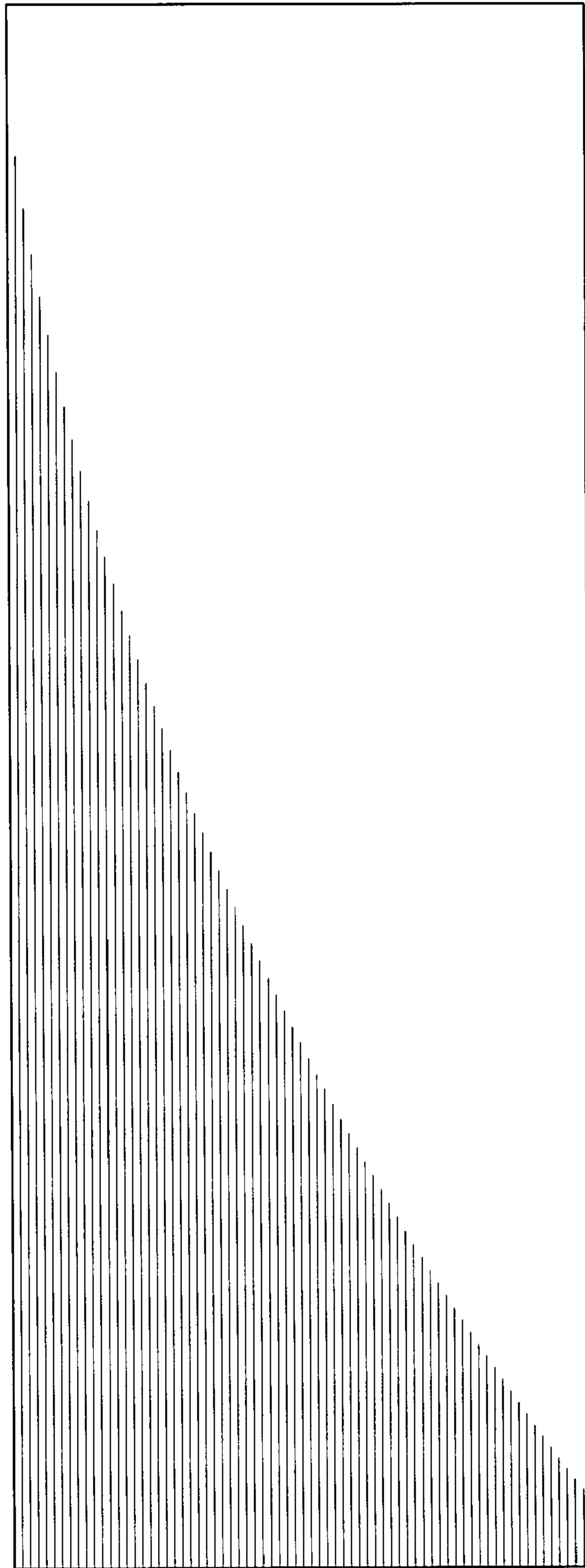
*Fig. 3*



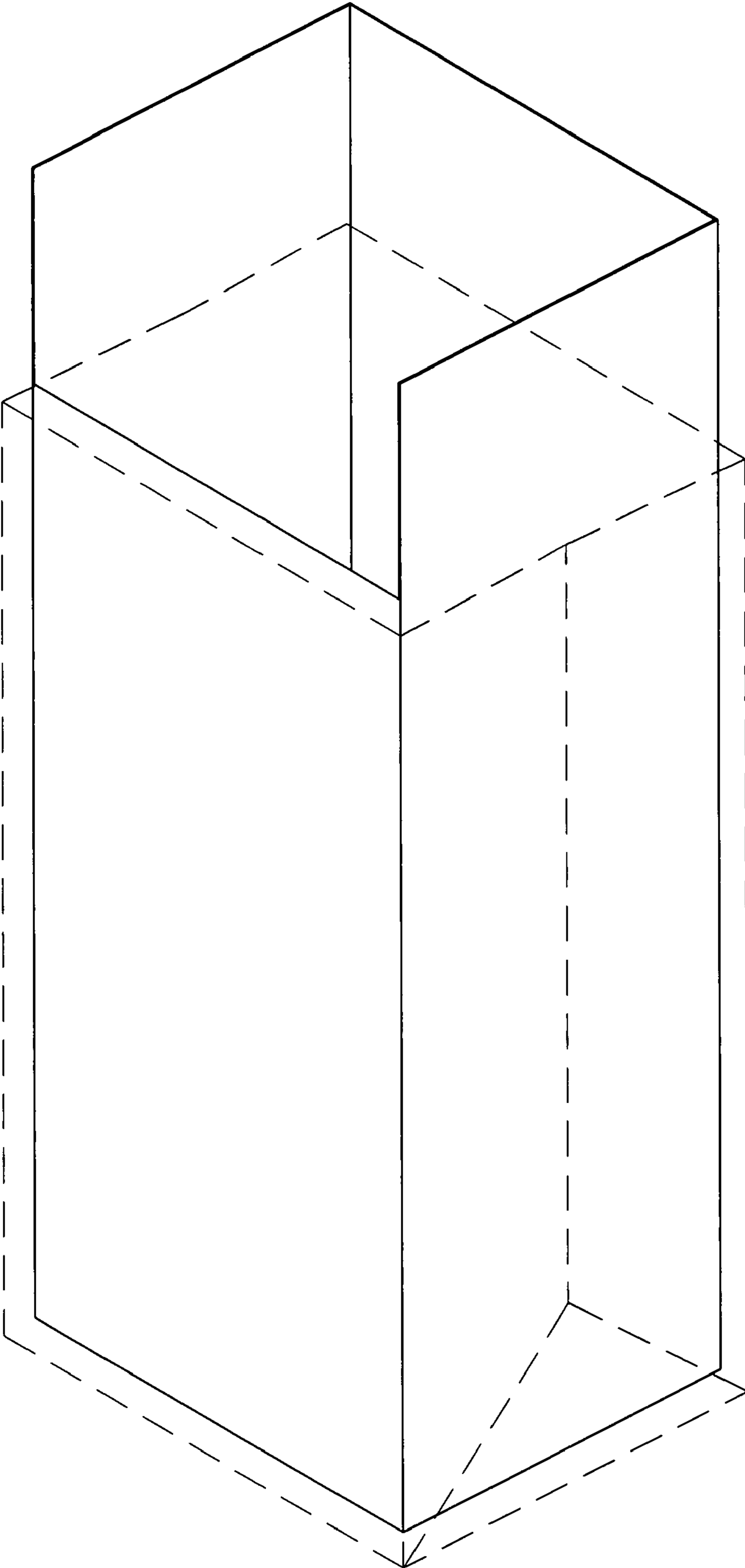
*Fig. 4*



*Fig. 5*



*Fig. 6*



*Fig. 7*