



US00D593717S

(12) **United States Design Patent**
Vernazza

(10) **Patent No.:** **US D593,717 S**
(45) **Date of Patent:** **** Jun. 2, 2009**

(54) **FLOOR CLEANING MACHINE**
(75) Inventor: **Giulio Vernazza**, Fontanellato (IT)
(73) Assignee: **IP Cleaning S.p.A.**, Portogruaro, Venice
(**) Term: **14 Years**
(21) Appl. No.: **29/324,701**
(22) Filed: **Sep. 18, 2008**

D549,405 S * 8/2007 Dammkoehler D32/16
D571,512 S * 6/2008 Dammkoehler et al. D32/15
D580,606 S * 11/2008 Dammkoehler et al. D32/16
2005/0132527 A1 * 6/2005 Pedlar et al. 15/340.3

* cited by examiner

Primary Examiner—T. Chase Nelson
Assistant Examiner—Kathleen M Sims
(74) *Attorney, Agent, or Firm*—Occhiuti Rohlicek & Tsao LLP

(30) **Foreign Application Priority Data**
Mar. 21, 2008 (EM) 000901632
(51) **LOC (9) Cl.** **15-05**
(52) **U.S. Cl.** **D32/16**
(58) **Field of Classification Search** D32/1,
D32/15, 16, 17, 19, 21, 22; 15/320, 321,
15/323, 353, 49.1, 50.1
See application file for complete search history.

(57) **CLAIM**

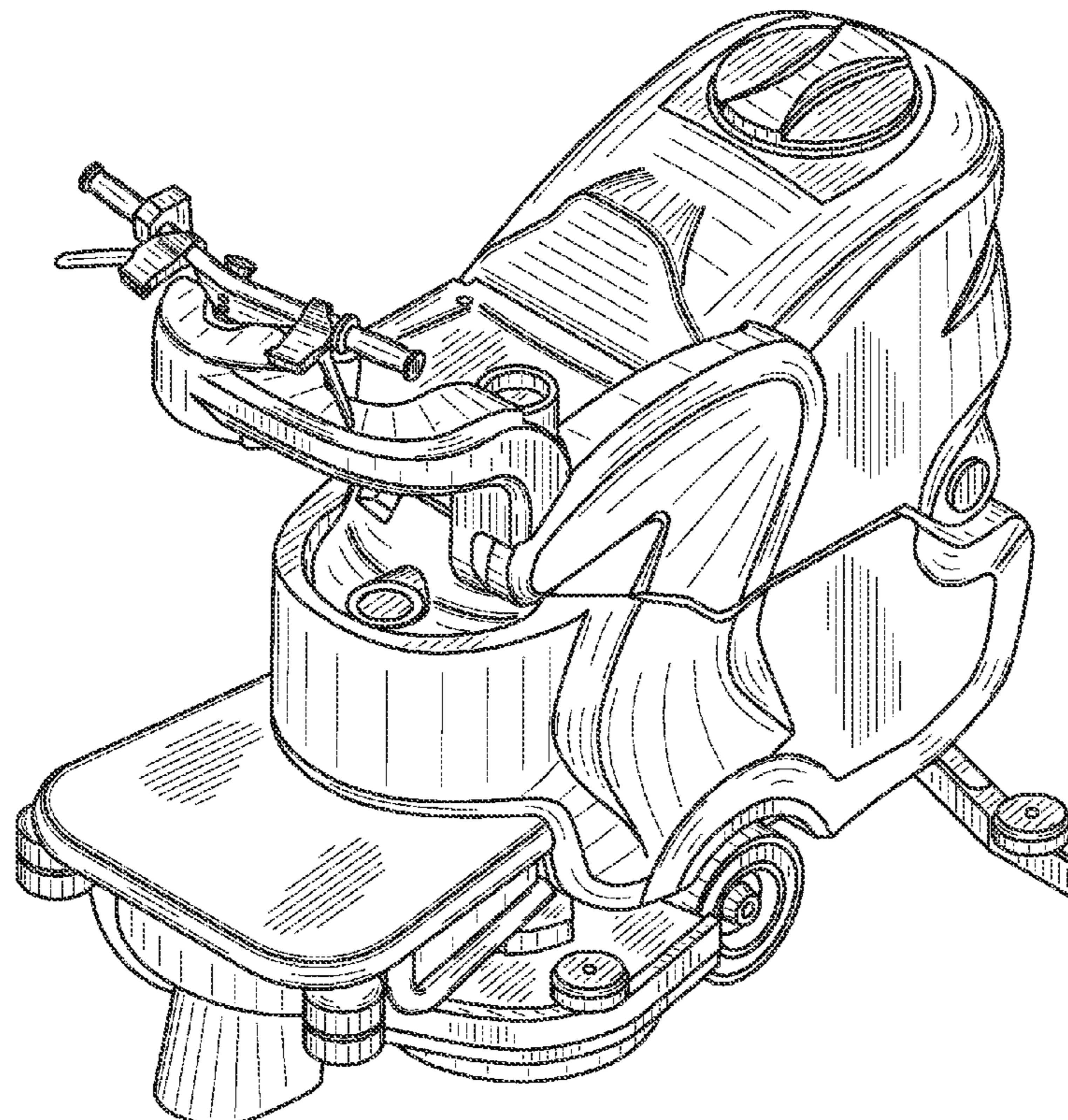
The ornamental design for a floor cleaning machine, as shown and described.

DESCRIPTION

FIG. 1 is a perspective view of a floor cleaning machine showing my new design;
FIG. 2 is a second perspective view thereof.
FIG. 3 is a top view thereof.
FIG. 4 is a front view thereof.
FIG. 5 is a left view thereof.
FIG. 6 is a right view thereof; and,
FIG. 7 is a rear view thereof. The broken lines depict portions of the floor cleaning machine that form no part of the claimed design.

(56) **References Cited**
U.S. PATENT DOCUMENTS
D202,170 S * 9/1965 Little et al. D32/16
D364,012 S * 11/1995 Bothun et al. D32/19
D417,045 S * 11/1999 Dziersek et al. D32/16
7,055,201 B2 * 6/2006 Buchegger et al. 15/49.1
D536,842 S * 2/2007 Pedlar D32/16
D542,988 S * 5/2007 Dammkoehler et al. D32/16
D544,659 S * 6/2007 Auerswald et al. D32/16

1 Claim, 4 Drawing Sheets



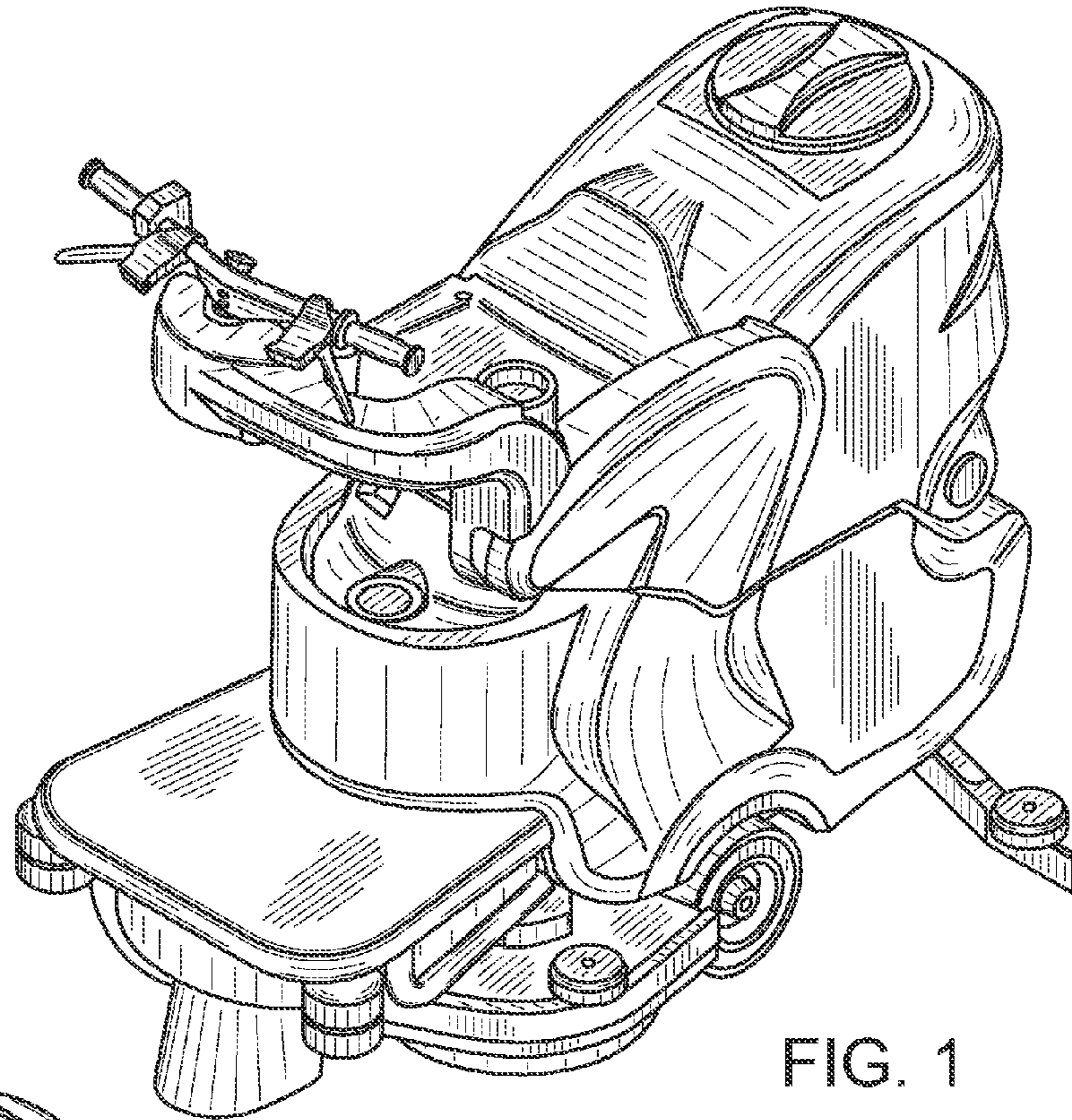


FIG. 1

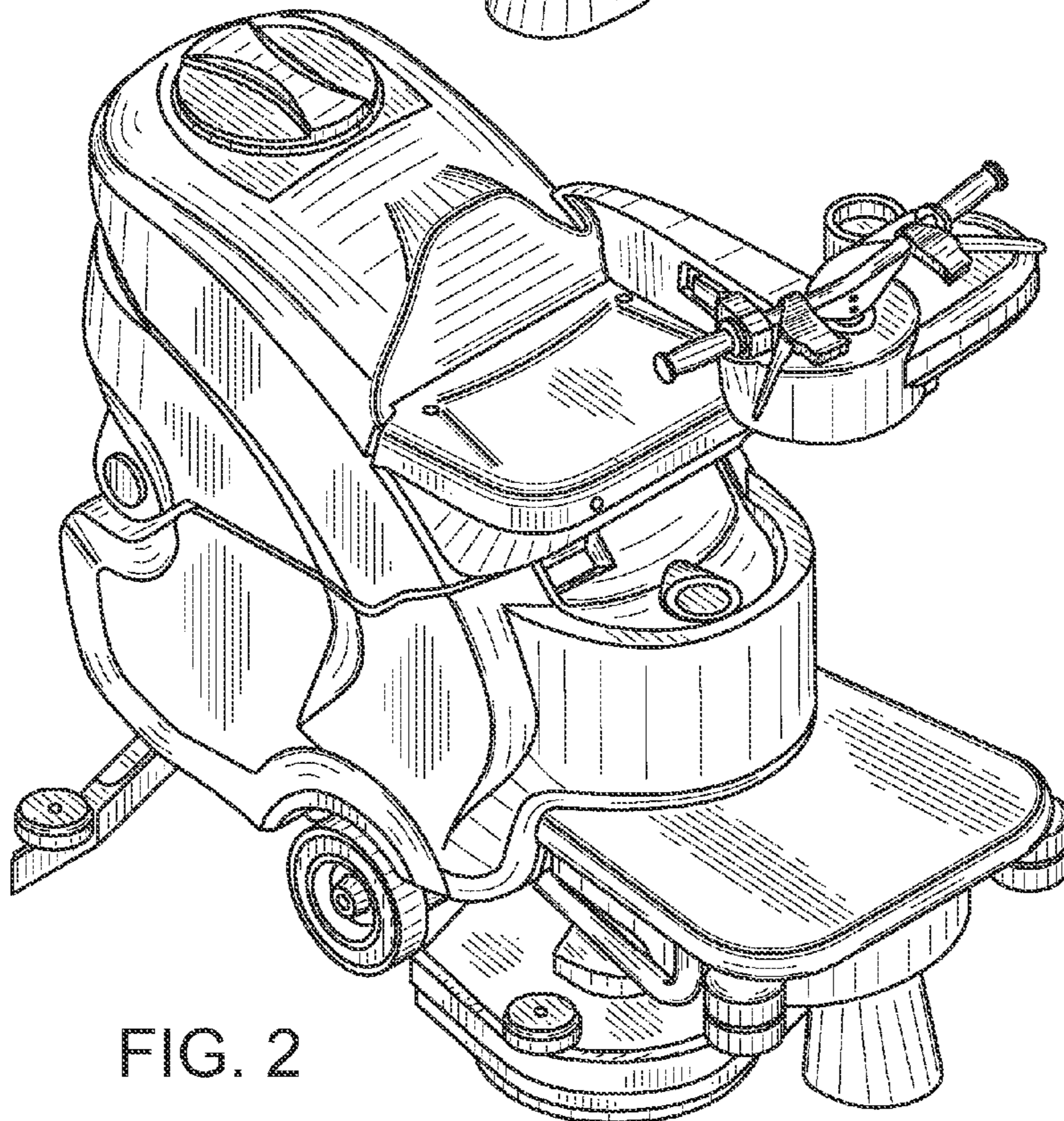


FIG. 2

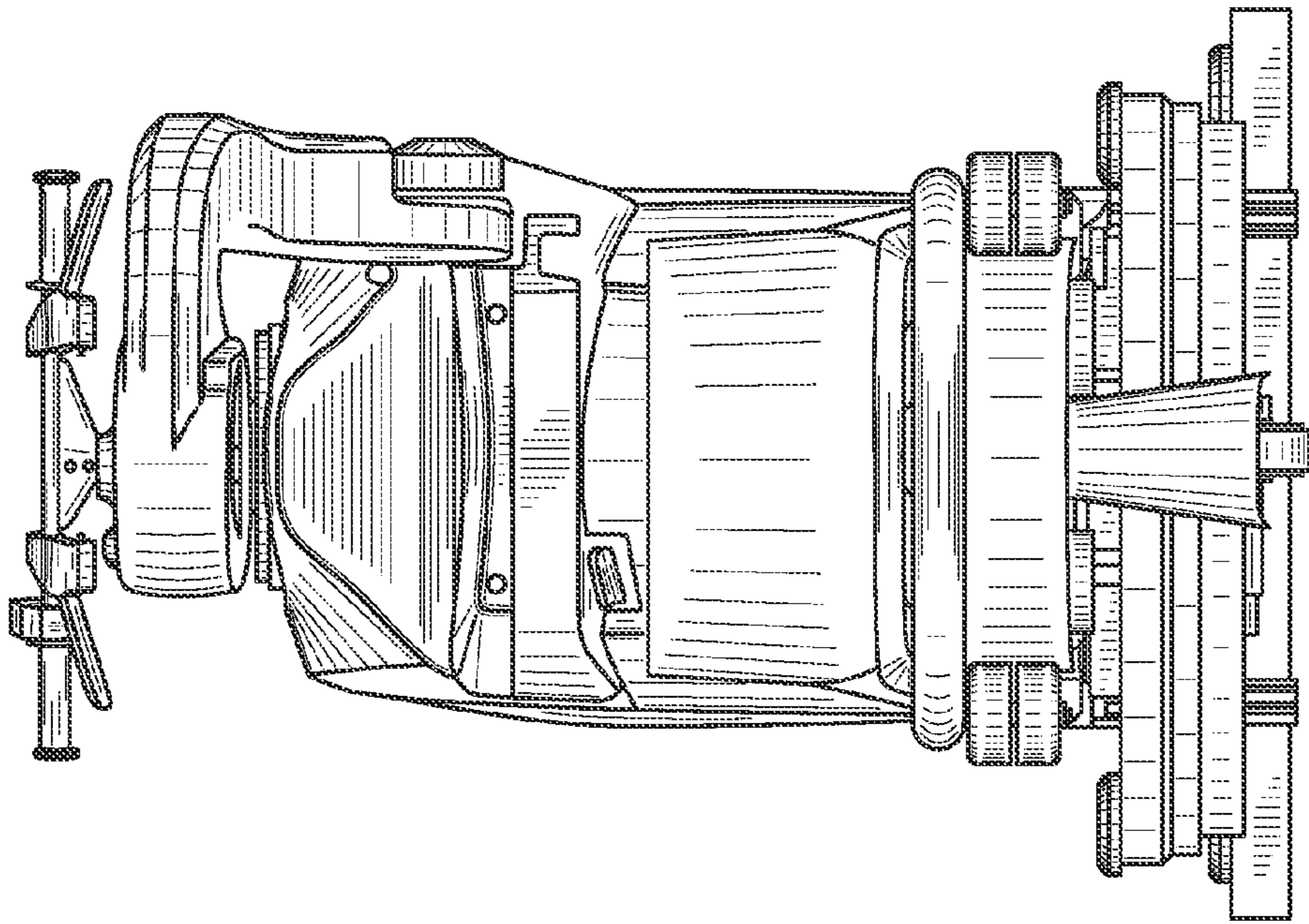


FIG. 4

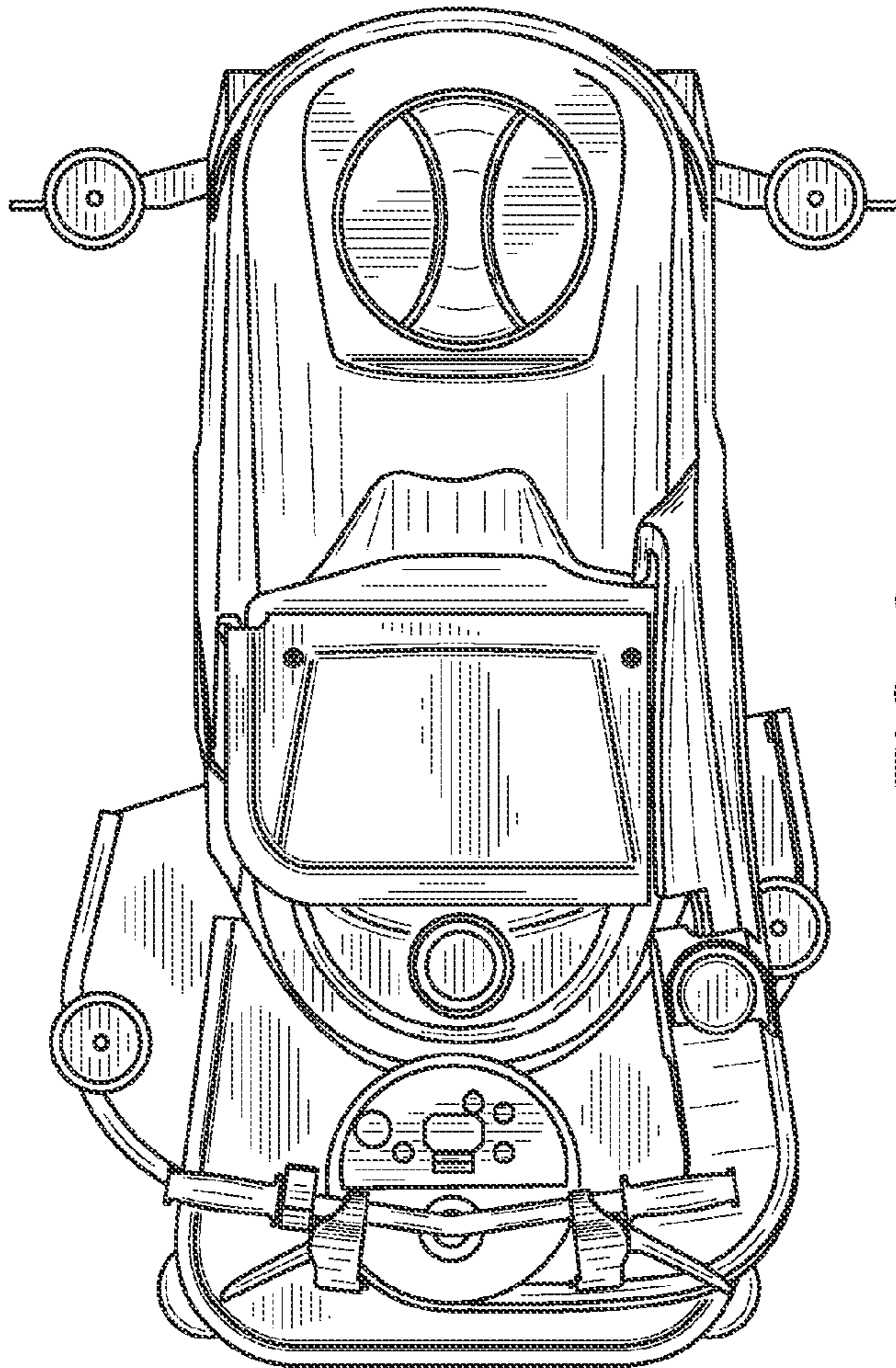


FIG. 3

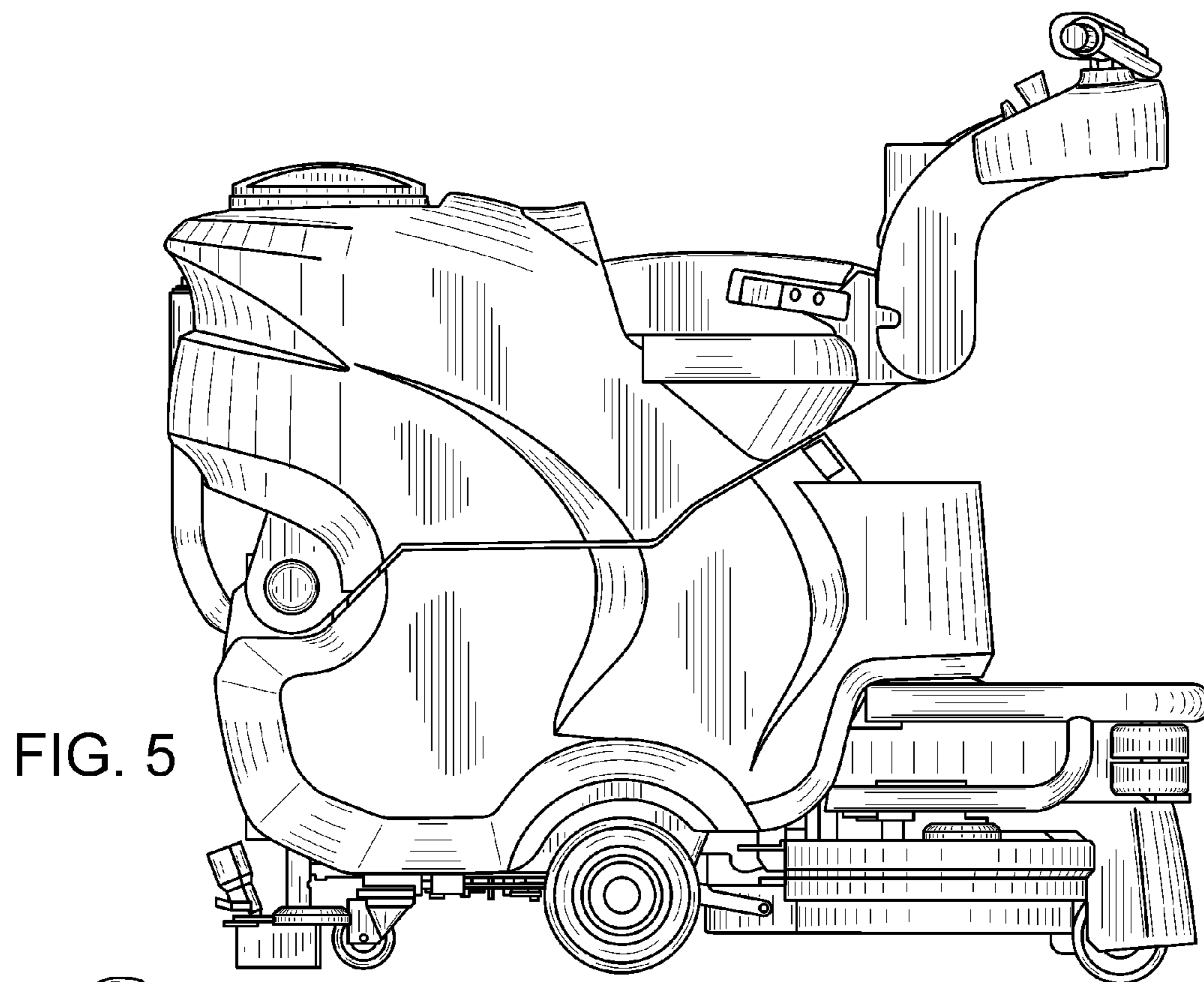


FIG. 5

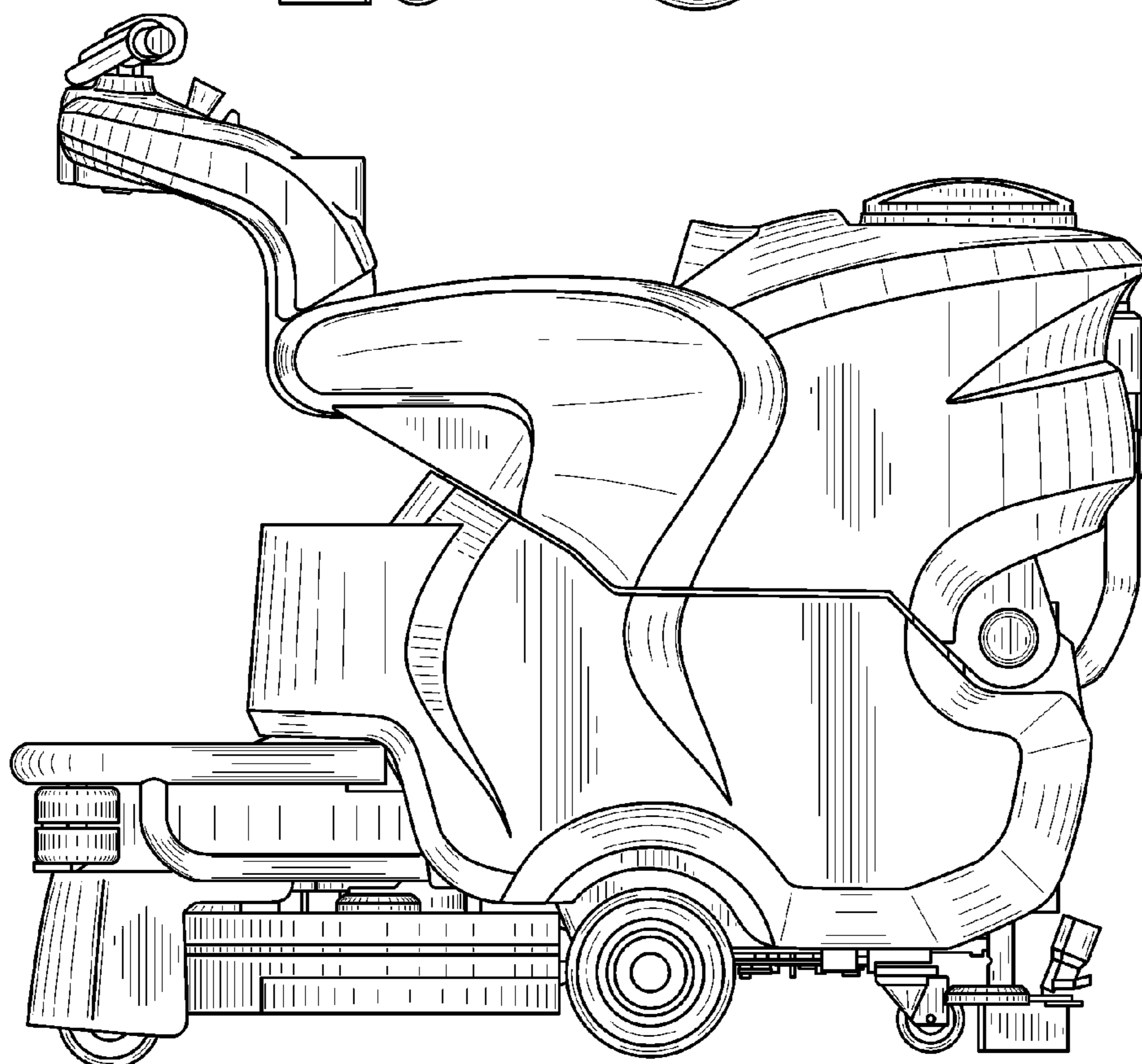


FIG. 6

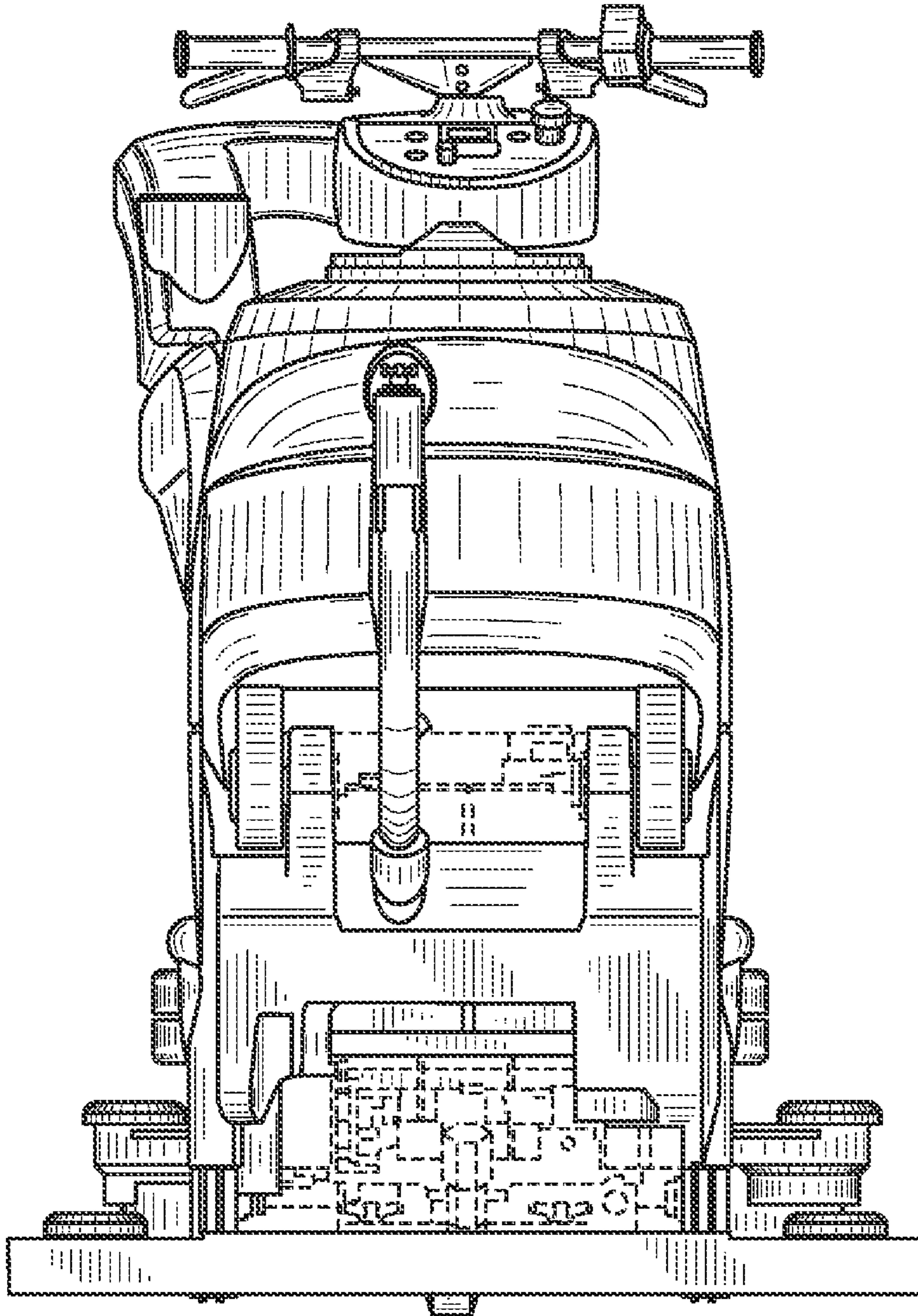


FIG. 7