



US00D593714S

(12) **United States Design Patent**
Hirshberg

(10) **Patent No.:** **US D593,714 S**
(45) **Date of Patent:** **** Jun. 2, 2009**

(54) **MOUTHGUARD WITH INCORPORATED BREATHING HOLES**

D554,259 S * 10/2007 Diacopoulos et al. D24/181

* cited by examiner

(75) Inventor: **Jonathan Hirshberg**, Manhattan Beach, CA (US)

Primary Examiner—Holly H Baynham

(74) *Attorney, Agent, or Firm*—Thomas I. Rozsa

(73) Assignee: **JR286 Technologies, Inc.**, Redondo Beach, CA (US)

(57) **CLAIM**

(**) Term: **14 Years**

The ornamental design for a mouthguard with incorporated breathing holes, as shown and described.

(21) Appl. No.: **29/289,053**

DESCRIPTION

(22) Filed: **Jul. 2, 2007**

FIG. 1 is a perspective view of a first embodiment of the mouthguard with incorporated breathing holes, showing my design.

(51) **LOC (9) Cl.** **29-02**

(52) **U.S. Cl.** **D29/108**

(58) **Field of Classification Search** D29/108;
128/859

FIG. 2 is a front elevational view;

FIG. 3 is a rear elevational view;

See application file for complete search history.

FIG. 4 is a side elevational view when viewed from the right side;

(56) **References Cited**

U.S. PATENT DOCUMENTS

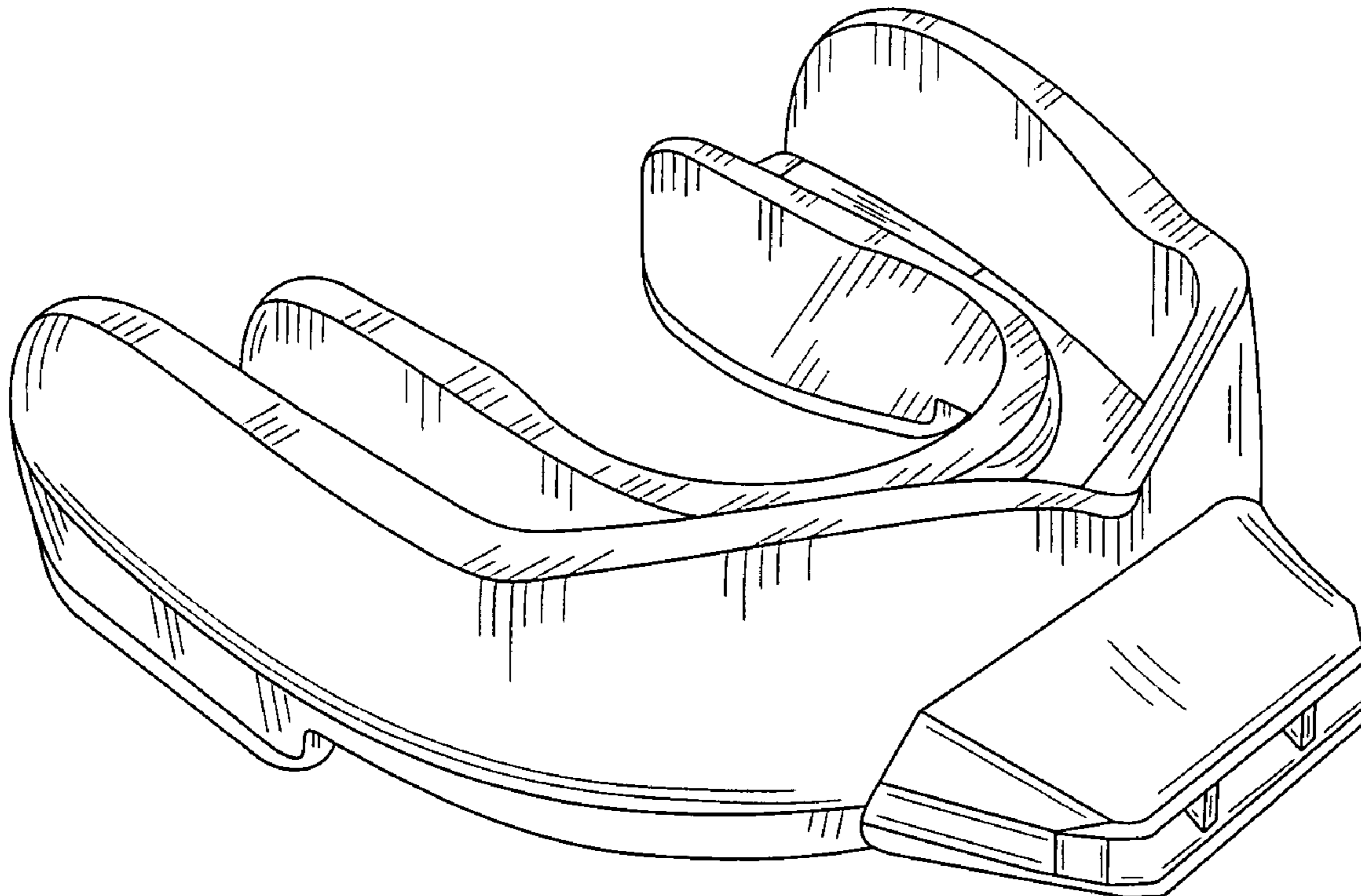
6,584,978 B1 *	7/2003	Brett et al.	128/859
D541,481 S *	4/2007	Farrell	D29/108
D548,402 S *	8/2007	Trodick	D29/108
D548,403 S *	8/2007	Manzo et al.	D29/108

FIG. 5 is a side elevational view when viewed from the left side;

FIG. 6 is a top plan view; and,

FIG. 7 is a bottom plan view.

1 Claim, 5 Drawing Sheets



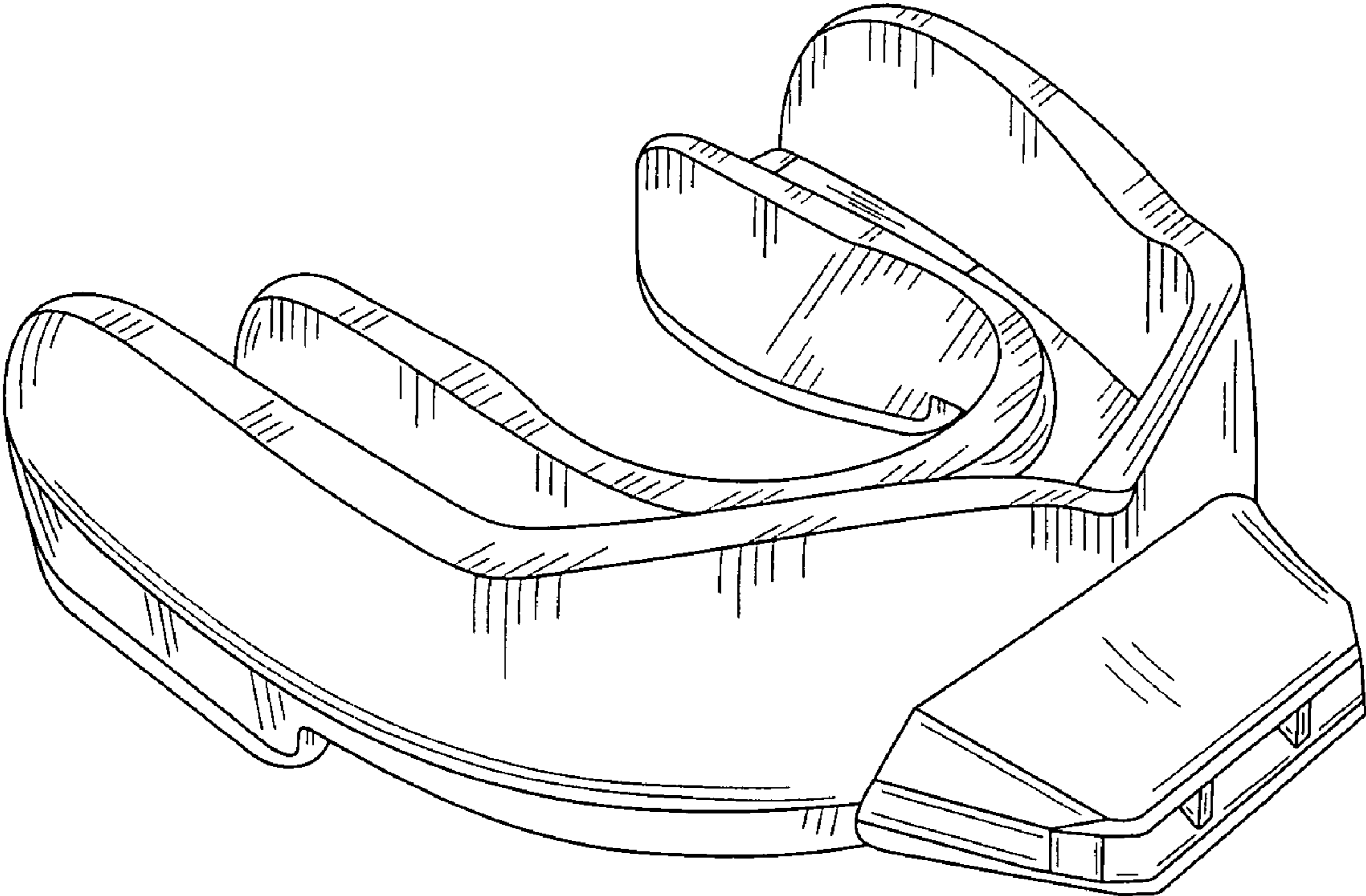


FIG. 1

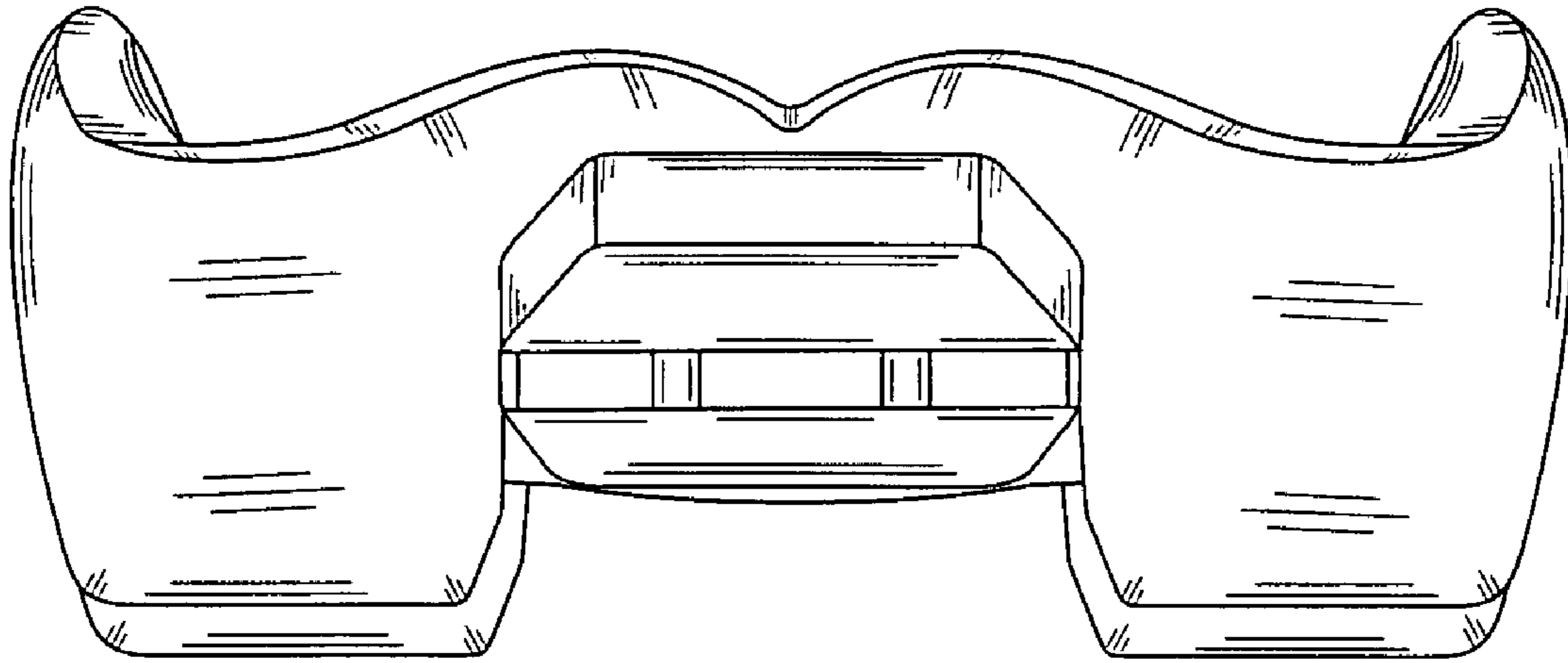


FIG. 2

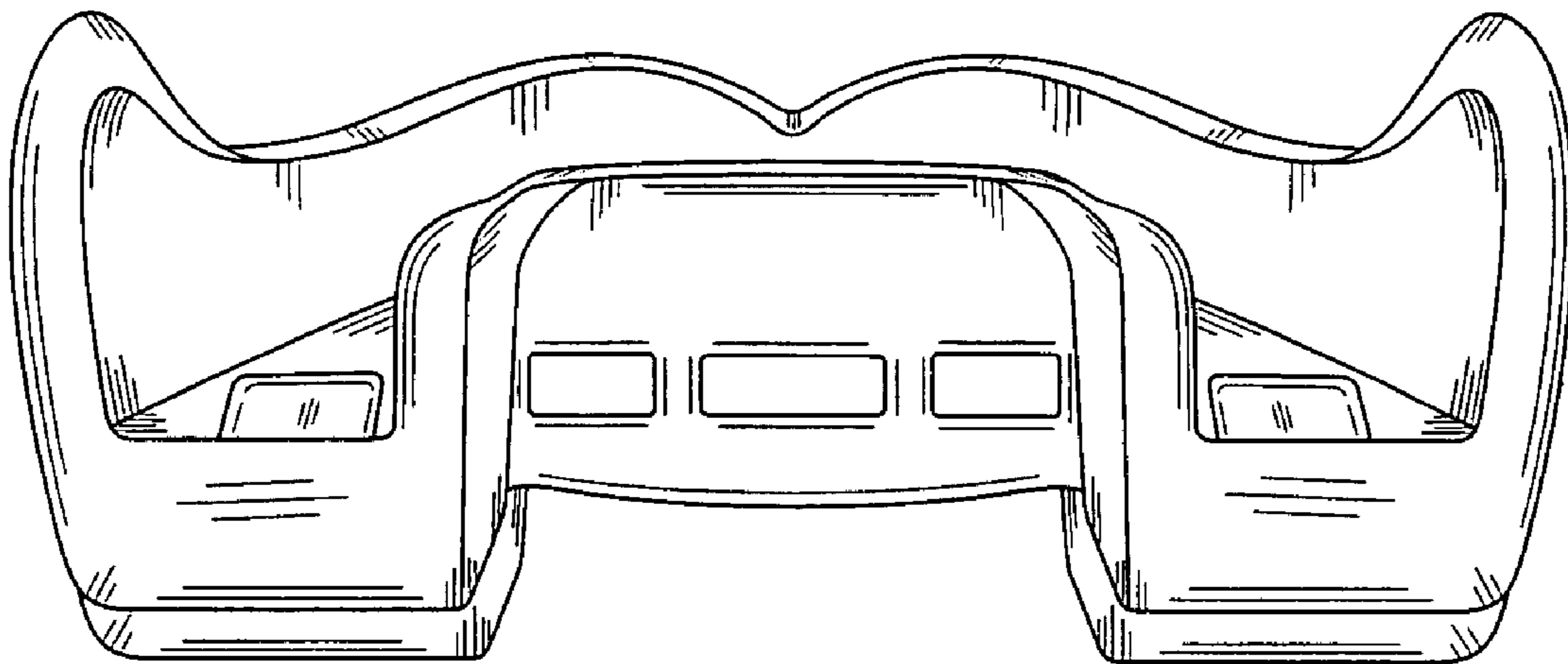


FIG. 3

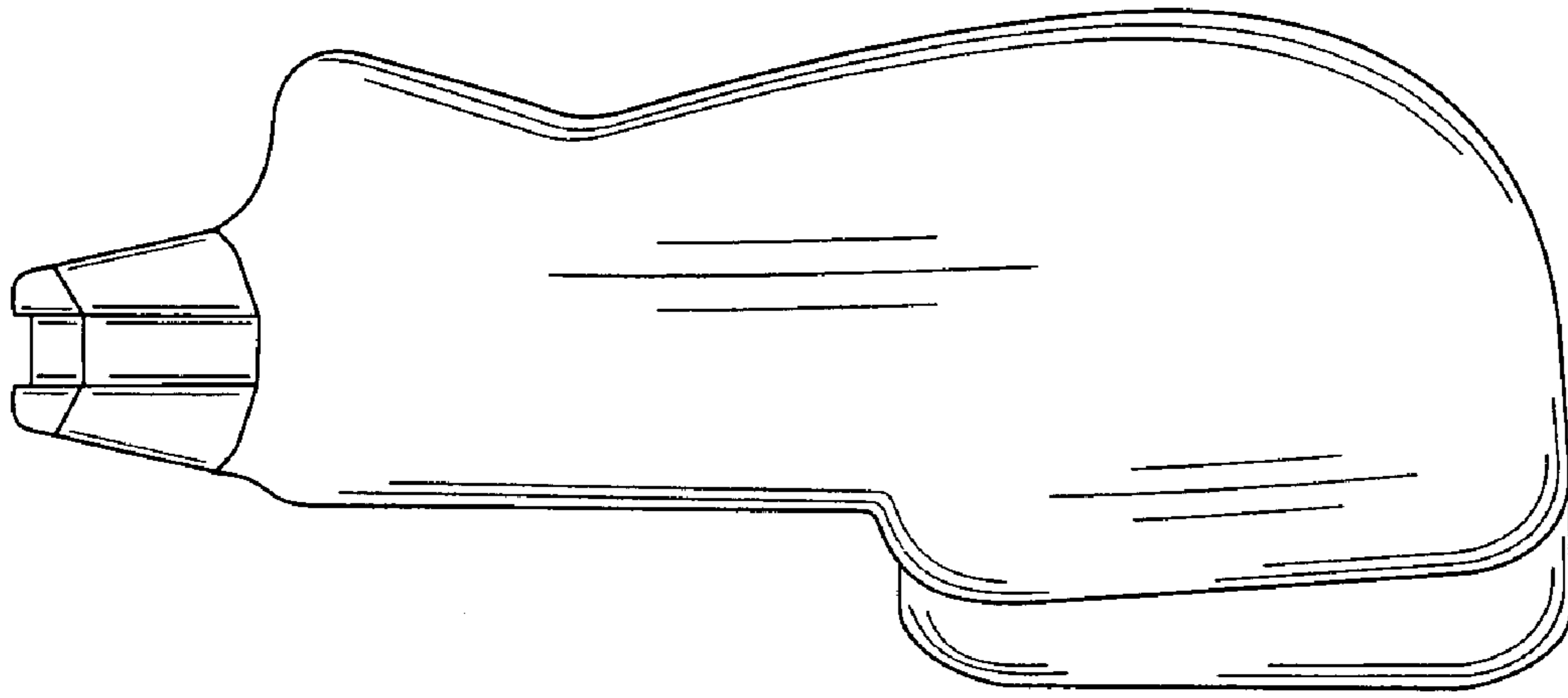


FIG. 4

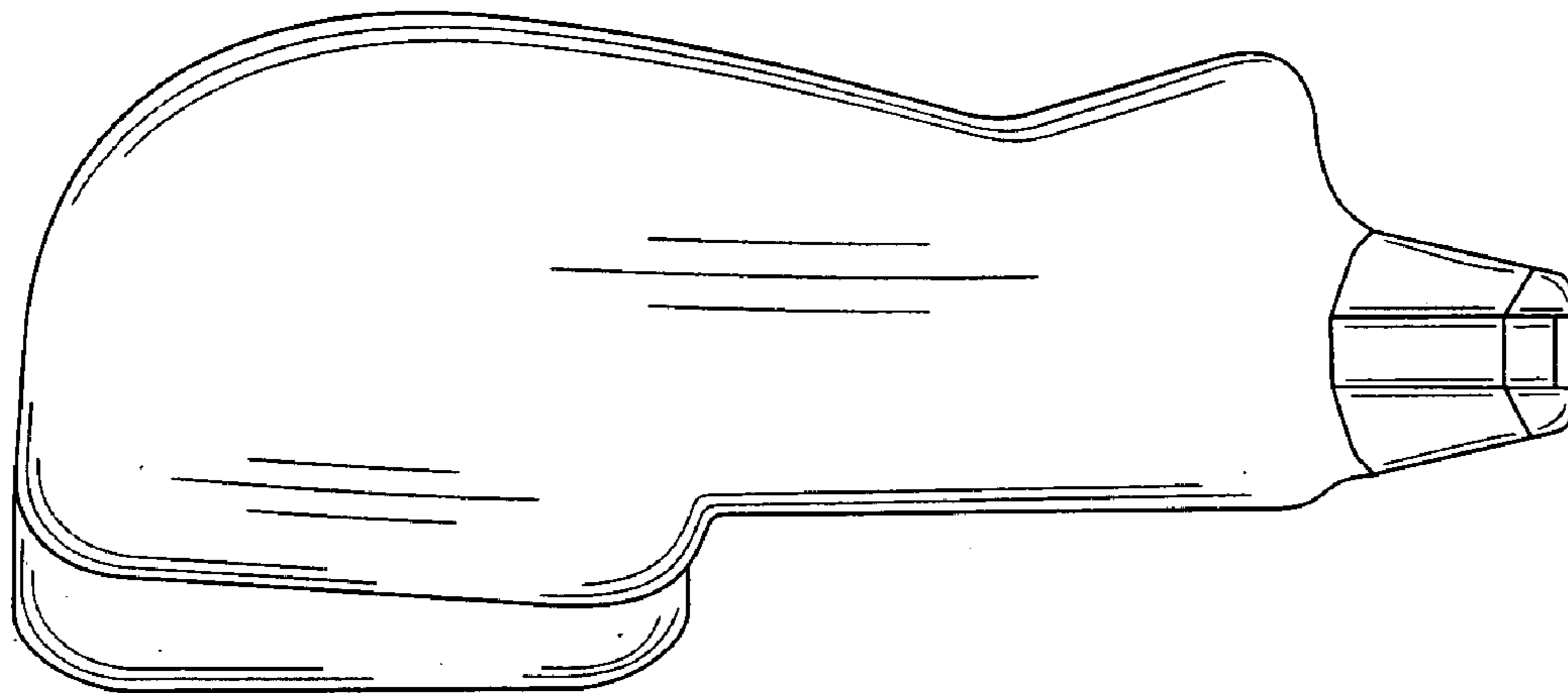


FIG. 5

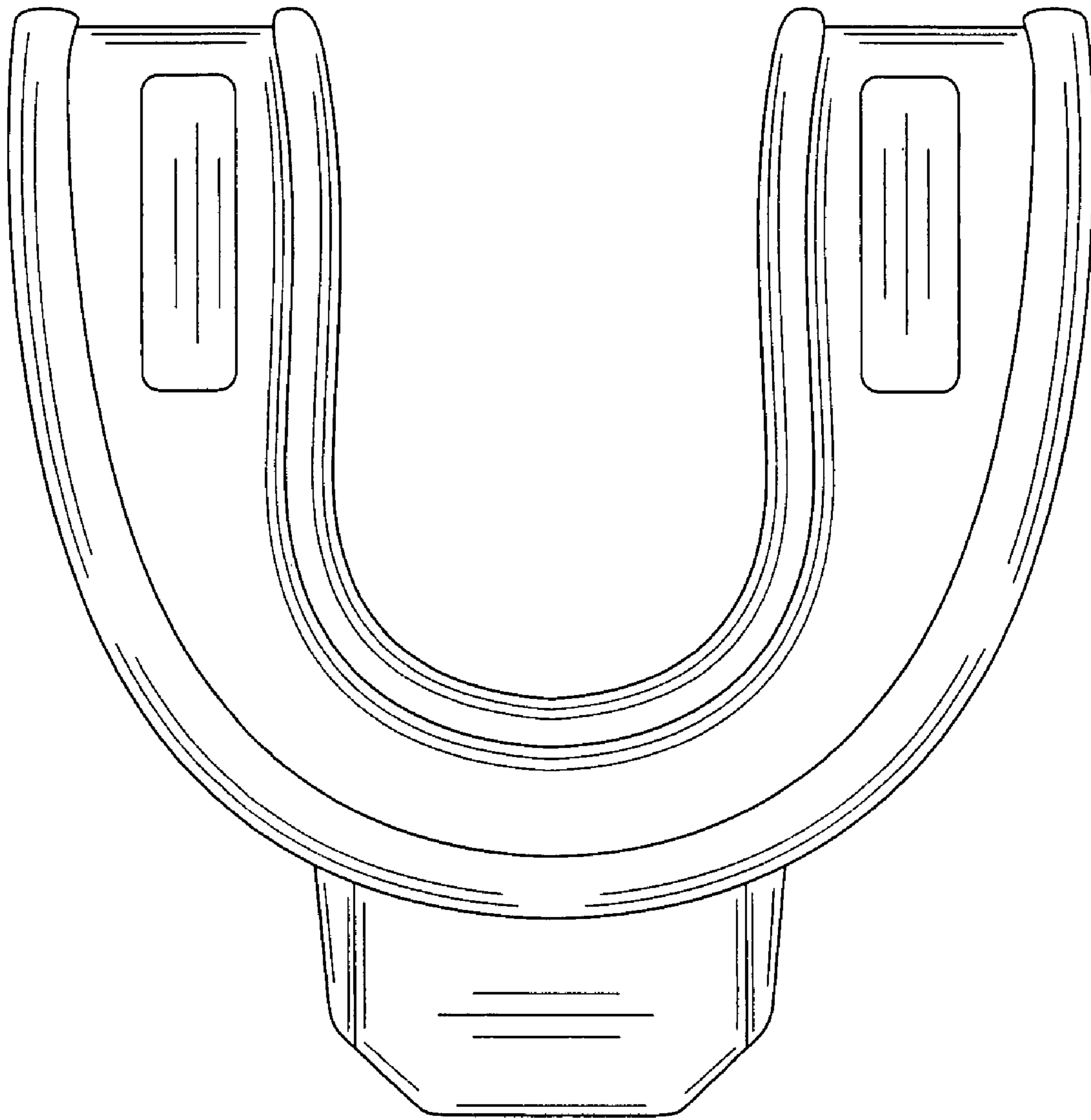


FIG. 6

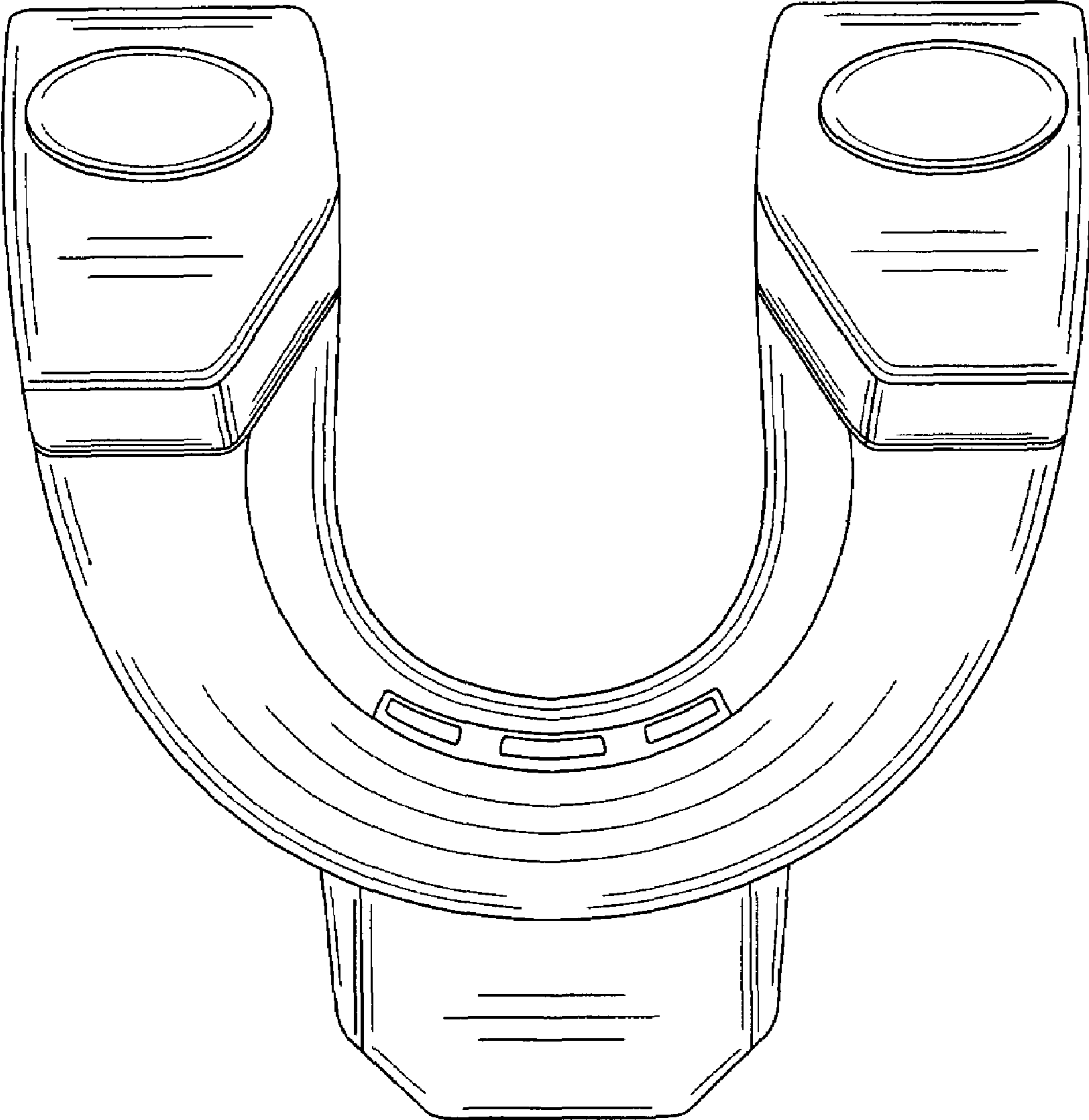


FIG. 7