



US00D593706S

(12) **United States Design Patent**
Zayas et al.

(10) **Patent No.:** **US D593,706 S**
(45) **Date of Patent:** **** Jun. 2, 2009**

(54) **LAMP BASE WITH FLANGE ON NECK**

(75) Inventors: **Betty Jean Zayas**, Bridgeport, CT (US);
George Kovacs, Wallingford, CT (US)

(73) Assignee: **Light Sources, Inc.**, Orange, CT (US)

(**) Term: **14 Years**

(21) Appl. No.: **29/319,197**

(22) Filed: **Jun. 5, 2008**

(51) **LOC (9) Cl.** **26-99**

(52) **U.S. Cl.** **D26/142**

(58) **Field of Classification Search** D26/63,
D26/65, 73, 62, 76, 42, 26, 60, 72, 74, 75,
D26/83, 85, 88, 89, 90, 93, 103, 107, 109,
D26/113, 118, 120, 125, 138, 140, 141, 142,
D26/149, 150, 151, 152, 154, 155; 362/220,
362/249, 219, 225, 601, 607, 147, 171, 641,
362/644, 657, 658, 257, 280, 364, 382, 403,
362/410, 431, 455, 809; D6/474, 477, 479,
D6/480; D13/134, 136, 146; 439/241, 231,
439/441, 244; D8/363, 345, 349

See application file for complete search history.

(56) **References Cited**

U.S. PATENT DOCUMENTS

D162,795 S * 4/1951 De Tar D13/146
2,925,511 A * 2/1960 Skellett 313/103 R

5,442,140 A * 8/1995 Mc Grane 174/151
5,904,415 A * 5/1999 Robertson et al. 362/260
6,672,900 B2 * 1/2004 France et al. 439/587
D521,451 S * 5/2006 Wiskerke D13/134
D537,414 S * 2/2007 Saito D13/146
D547,724 S * 7/2007 Ciancanelli et al. D13/134

* cited by examiner

Primary Examiner—Cathron C Brooks

Assistant Examiner—Kevin K Rudzinski

(74) *Attorney, Agent, or Firm*—Cantor Colburn LLP

(57) **CLAIM**

The ornamental design for a lamp base with flange on neck, as shown and described.

DESCRIPTION

FIG. 1 is a front upper perspective view of our new lamp base with flange on neck;

FIG. 2 is a rear lower perspective view of FIG. 1;

FIG. 3 is a left side view of FIG. 1;

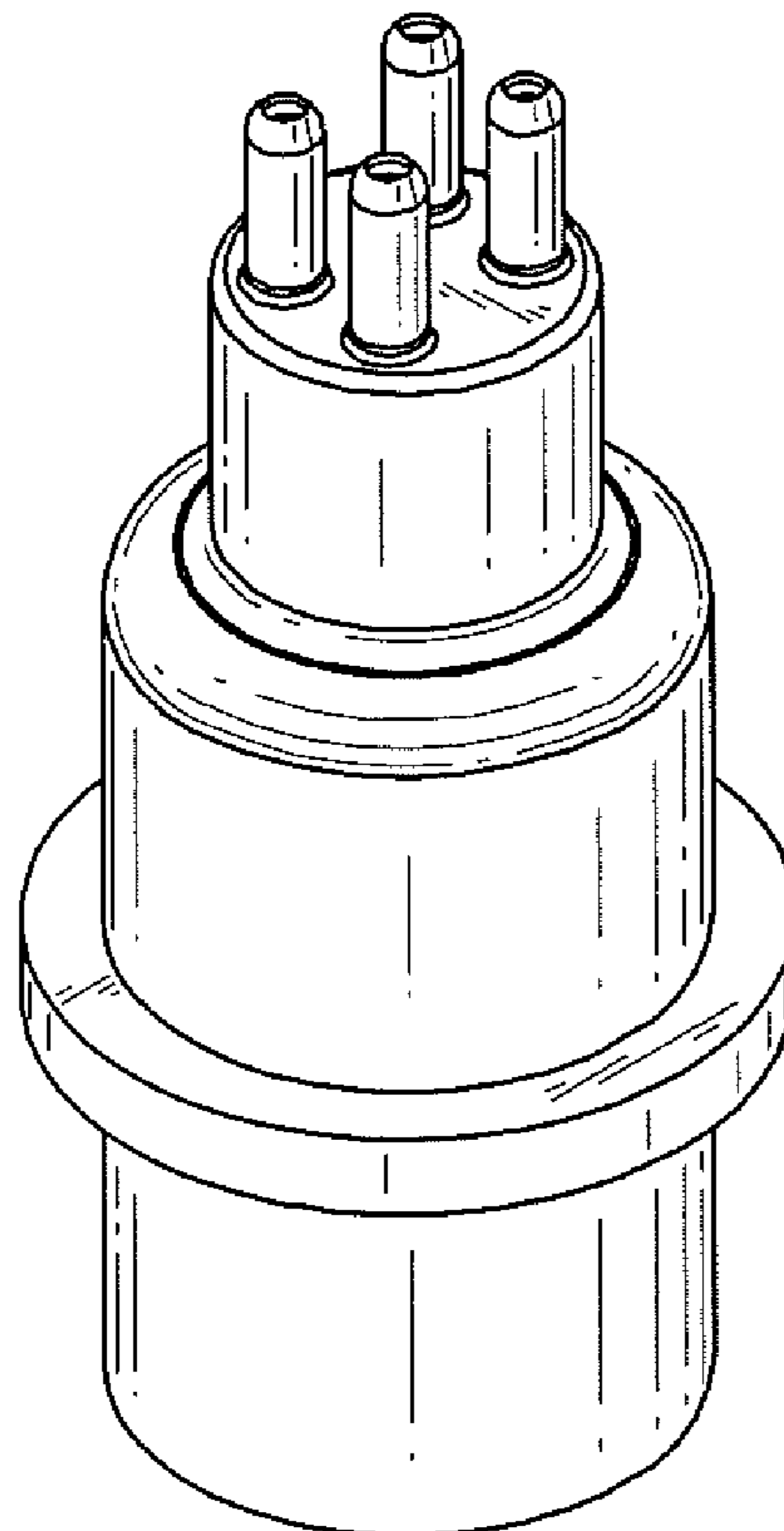
FIG. 4 is a right side view of FIG. 1;

FIG. 5 is a top view of FIG. 1; and,

FIG. 6 is a bottom view of FIG. 1.

The broken lines shown are included for the purpose of illustrating unclaimed structure and form no part of the claimed design.

1 Claim, 1 Drawing Sheet



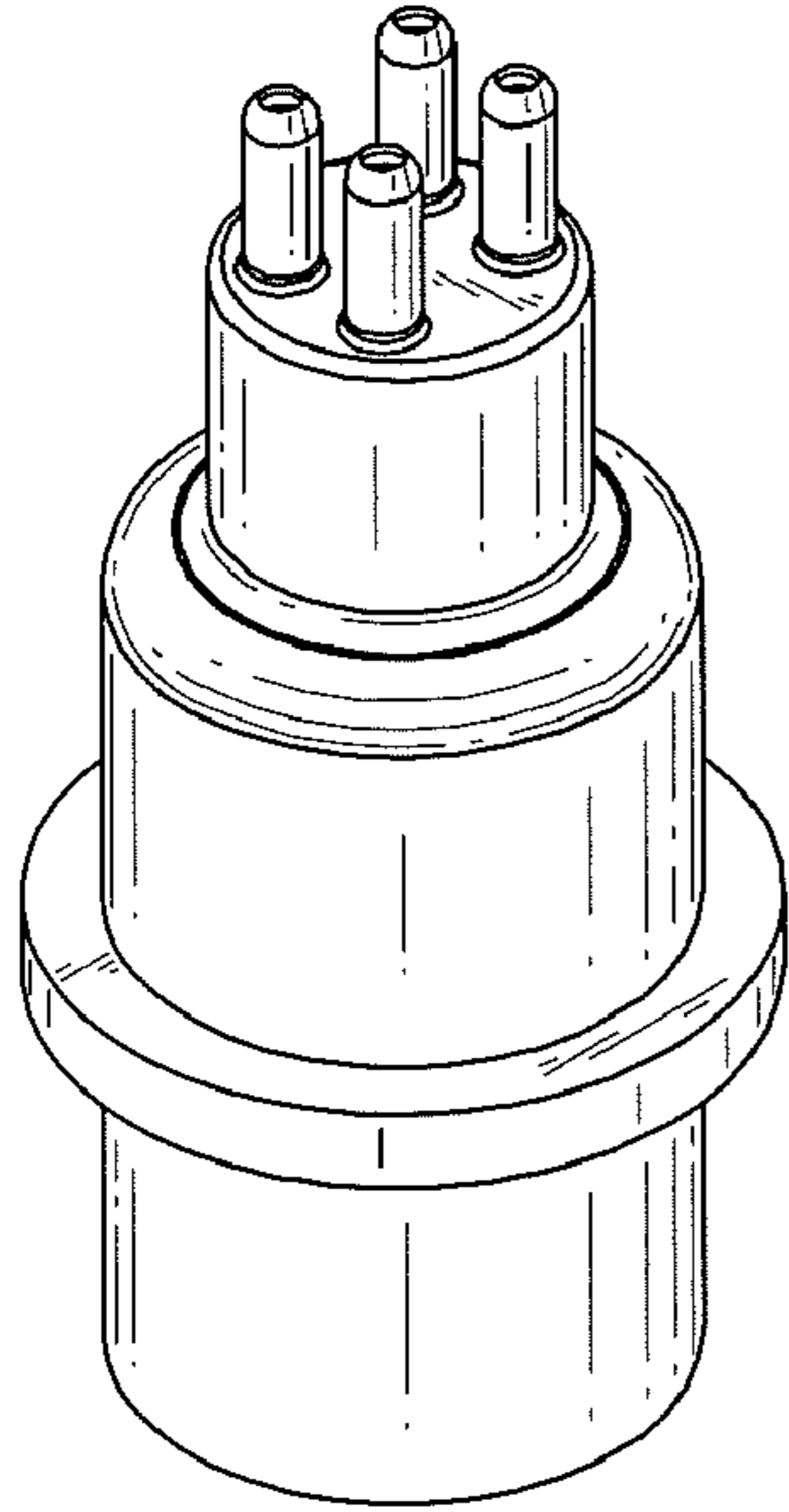


FIG. 1

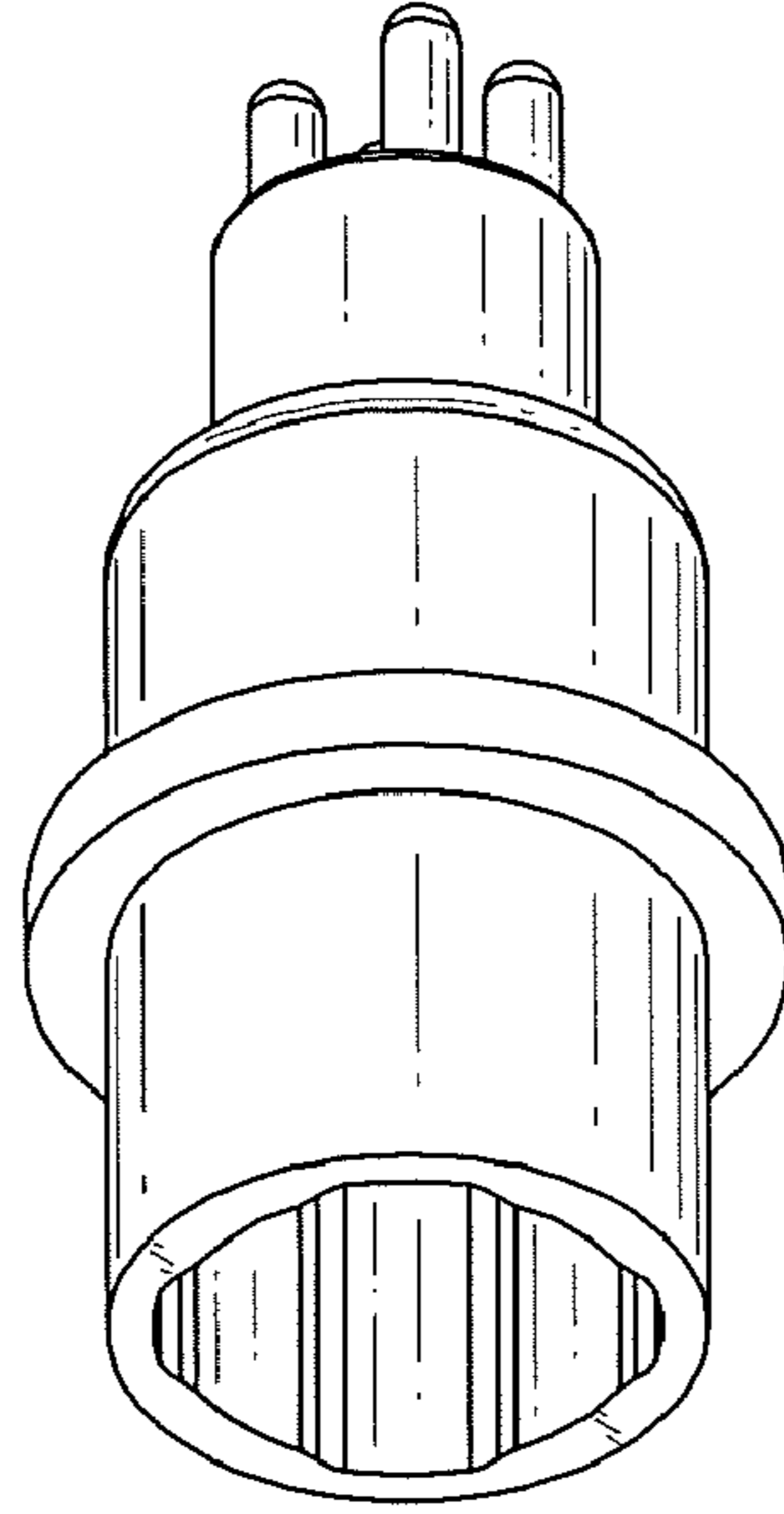


FIG. 2

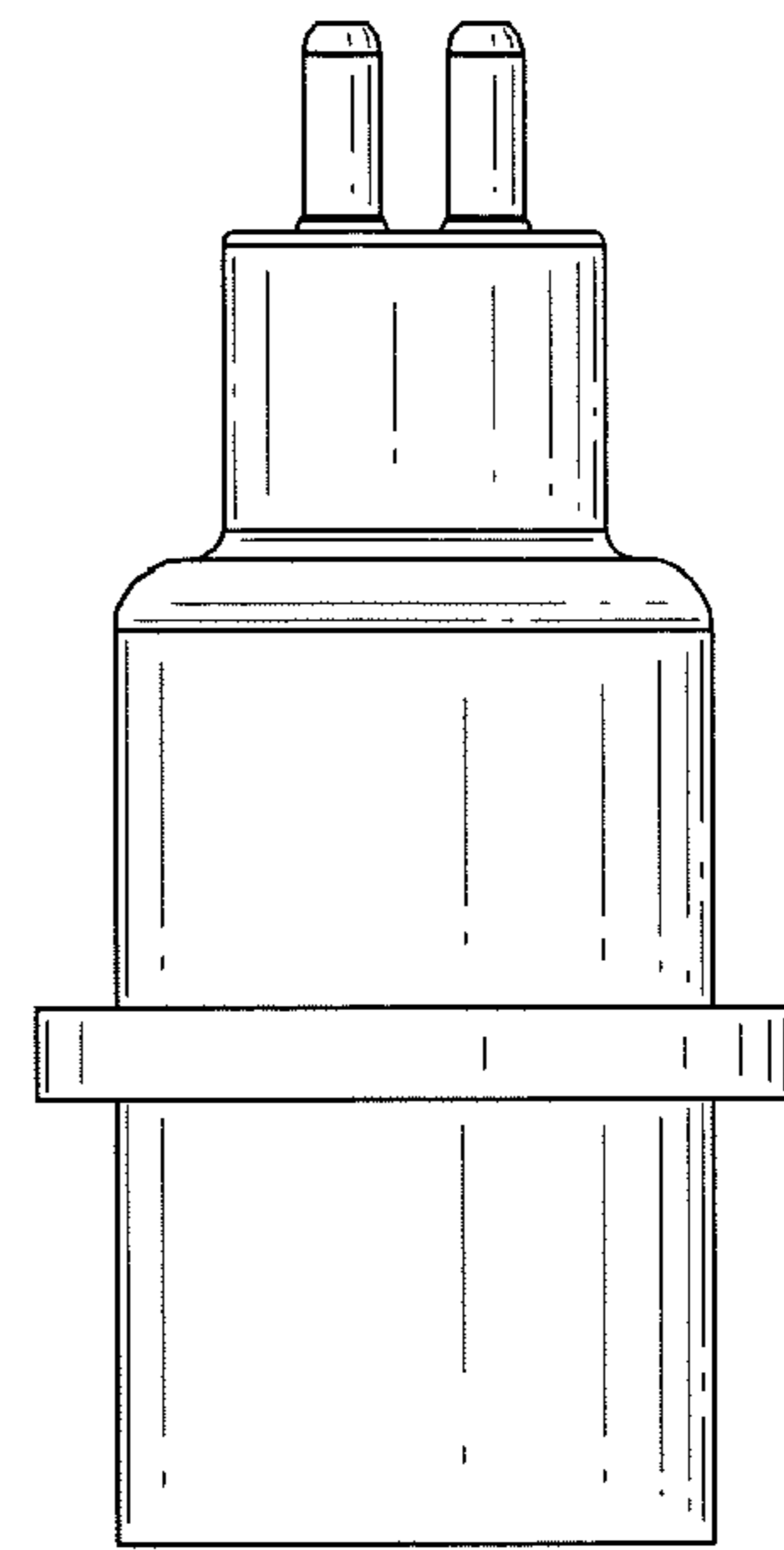


FIG. 3

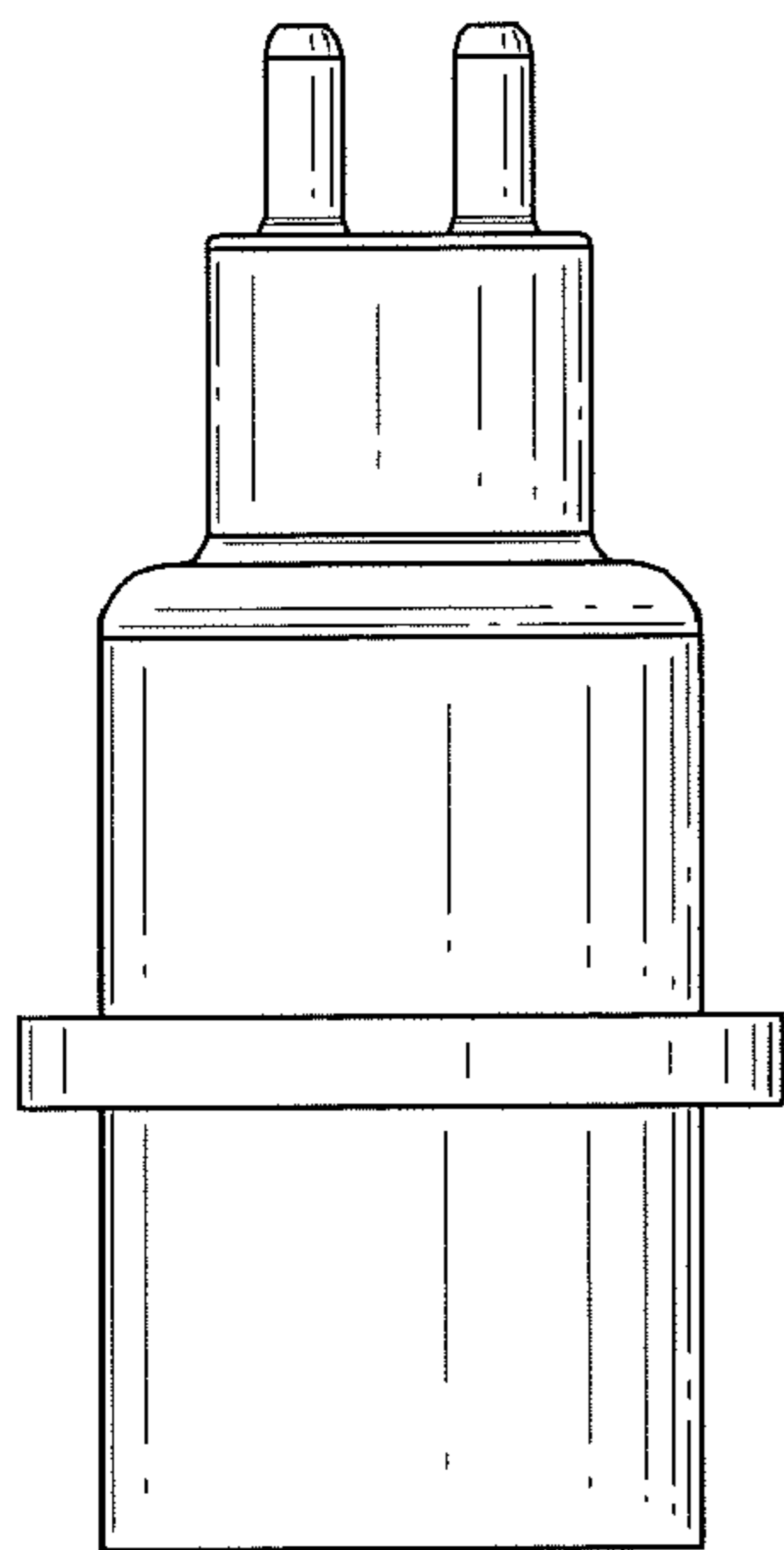


FIG. 4

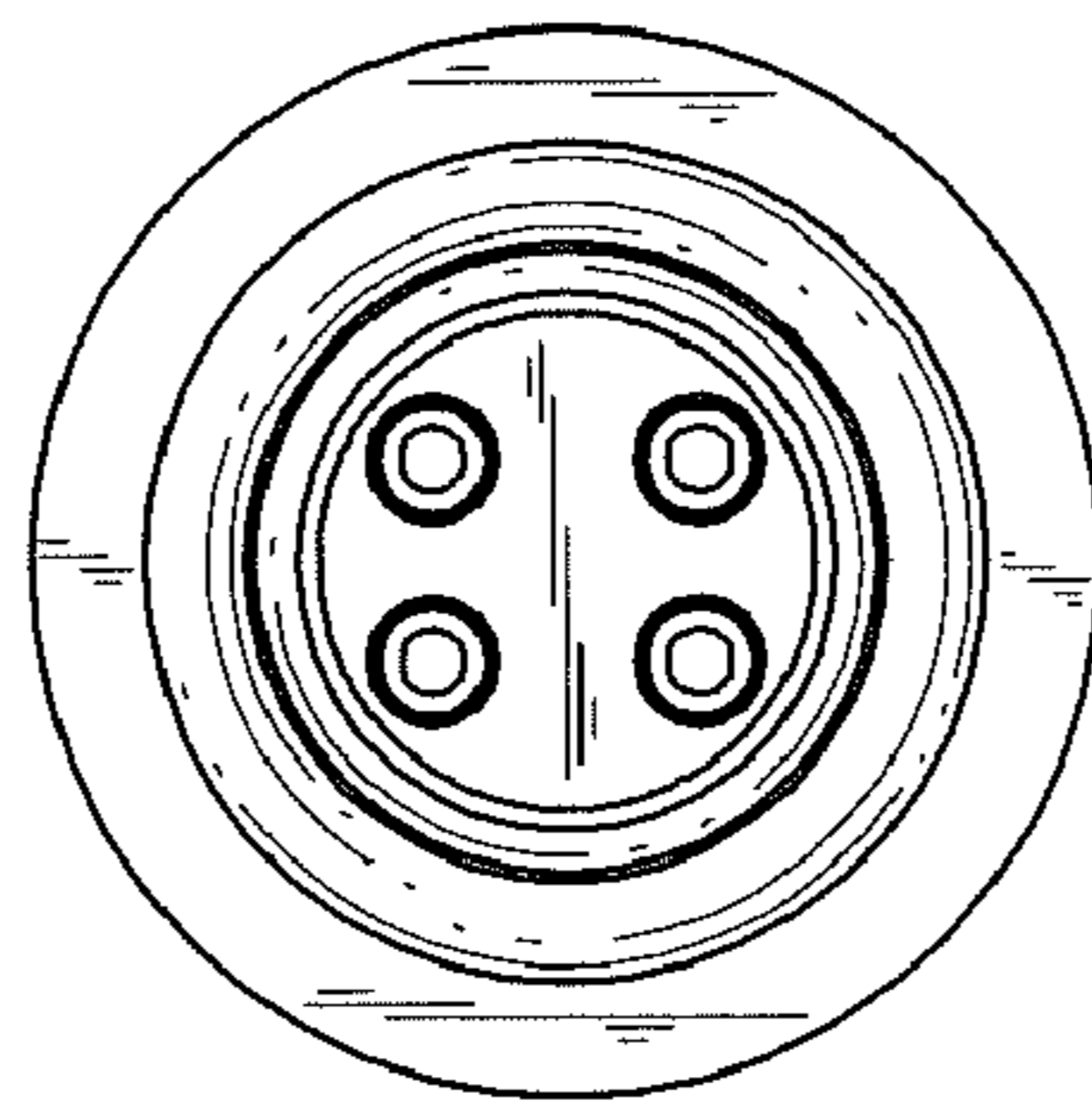


FIG. 5

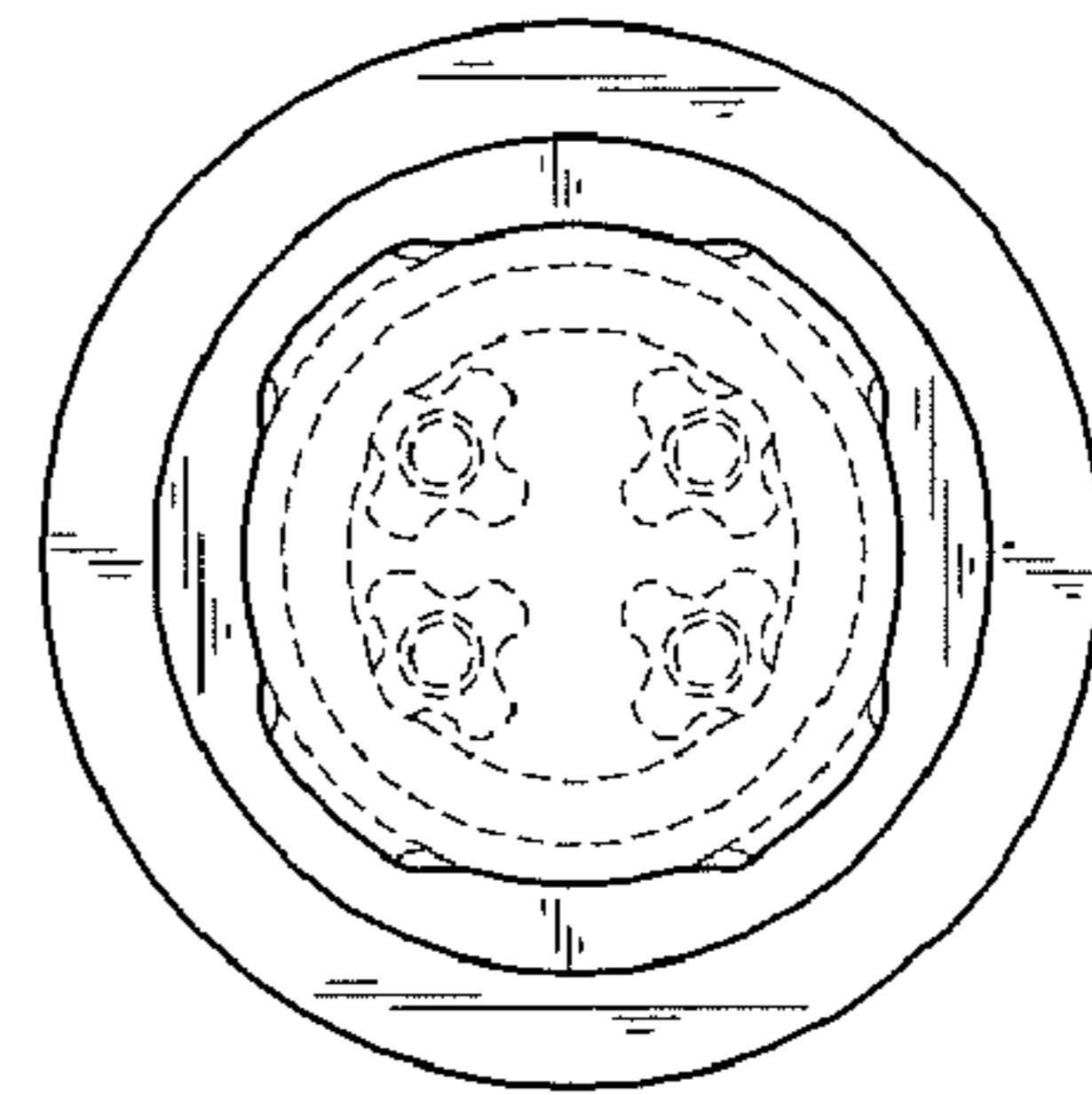


FIG. 6