

US00D593702S

(12) **United States Design Patent**  
**Sabernig**

(10) **Patent No.:** **US D593,702 S**

(45) **Date of Patent:** **\*\* Jun. 2, 2009**

(54) **LIGHT FIXTURE**

(75) **Inventor:** **Robert Sabernig**, Munster (AT)

(73) **Assignee:** **EGLO Leuchten GmbH**, Innsbruck (AU)

(\*\*) **Term:** **14 Years**

(21) **Appl. No.:** **29/324,049**

(22) **Filed:** **Sep. 5, 2008**

(51) **LOC (9) Cl.** ..... **26-03**

(52) **U.S. Cl.** ..... **D26/88**

(58) **Field of Classification Search** ..... D26/82-91,  
D26/128-131; 362/147, 317, 351, 404-408  
See application file for complete search history.

(56) **References Cited**

**U.S. PATENT DOCUMENTS**

D80,088 S *	12/1929	Plaut	.....	D26/91
D83,683 S *	3/1931	Kopp	.....	D26/130
D217,086 S *	4/1970	Miller	.....	D22/123
D444,263 S *	6/2001	Dolan	.....	D26/130
D444,908 S *	7/2001	Dolan	.....	D26/130
D451,232 S *	11/2001	Dolan	.....	D26/102
D459,018 S *	6/2002	Dolan	.....	D26/102
6,821,002 B1 *	11/2004	Morgen	.....	362/351
D555,282 S *	11/2007	Hidalgo	.....	D26/128

**OTHER PUBLICATIONS**

Light fixture models "Glimt", "Pabo" and "Cesium" shown on p. 336 of the Ikea 2007 Catalog, © Jun. 2007.\*

All fixtures from the "Golden Mean" collection shown on p. 175 of the Framburg catalog A2006, © 2006.\*

Oggetti; Bimbi Three-Light Trapeze Suspension; printed from Modern Lighting Universe Catalog on Dec. 22, 2008.

Minka Group Catalog; Metropolitan Sconce; Model No. N6511-468; printed from Minka Lighting, Inc. USA on Dec. 22, 2008.

\* cited by examiner

*Primary Examiner*—Clare E Heflin

(74) *Attorney, Agent, or Firm*—Baker & McKenzie LLP

(57) **CLAIM**

The ornamental design for a light fixture, as shown and described.

**DESCRIPTION**

FIG. 1 is a bottom perspective view of a light fixture in accordance with my design;

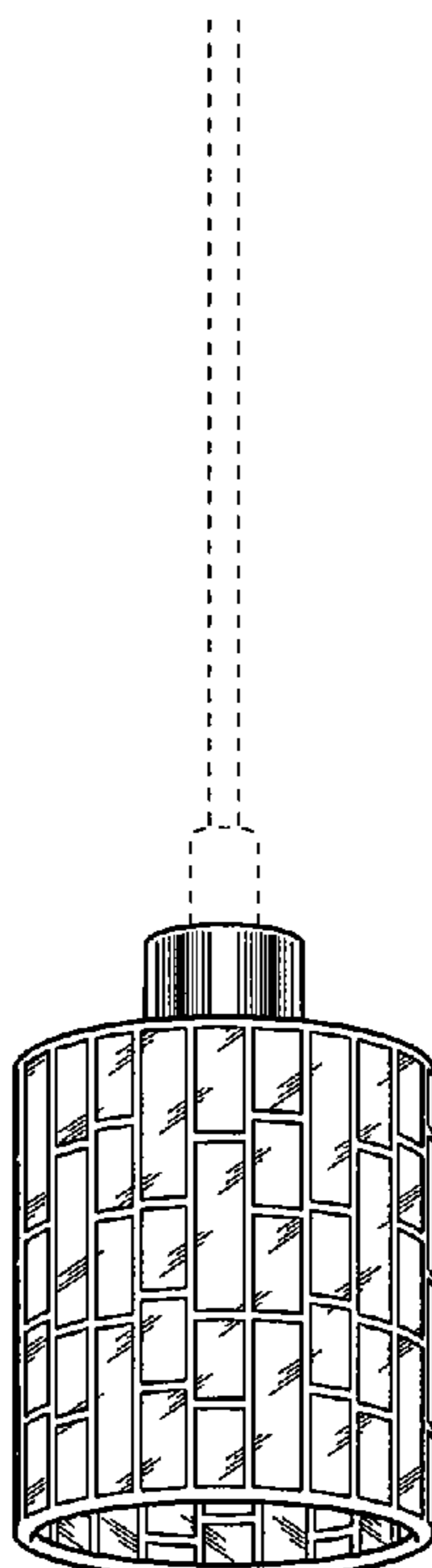
FIG. 2 is a top plan view of the light fixture in accordance with my design;

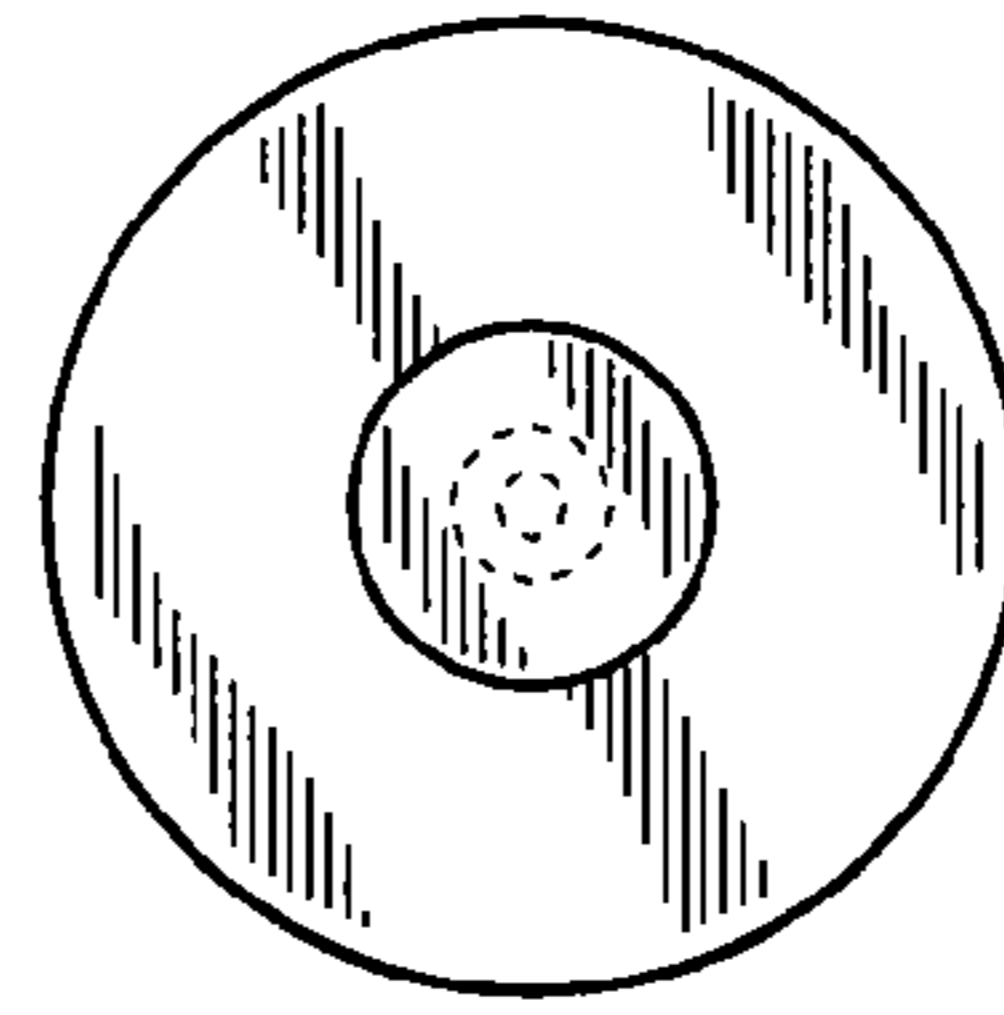
FIG. 3 is a bottom view of the light fixture in accordance with my design; and,

FIG. 4 is a side elevation view of the light fixture in accordance with my design, the opposite side being a mirror image of that shown.

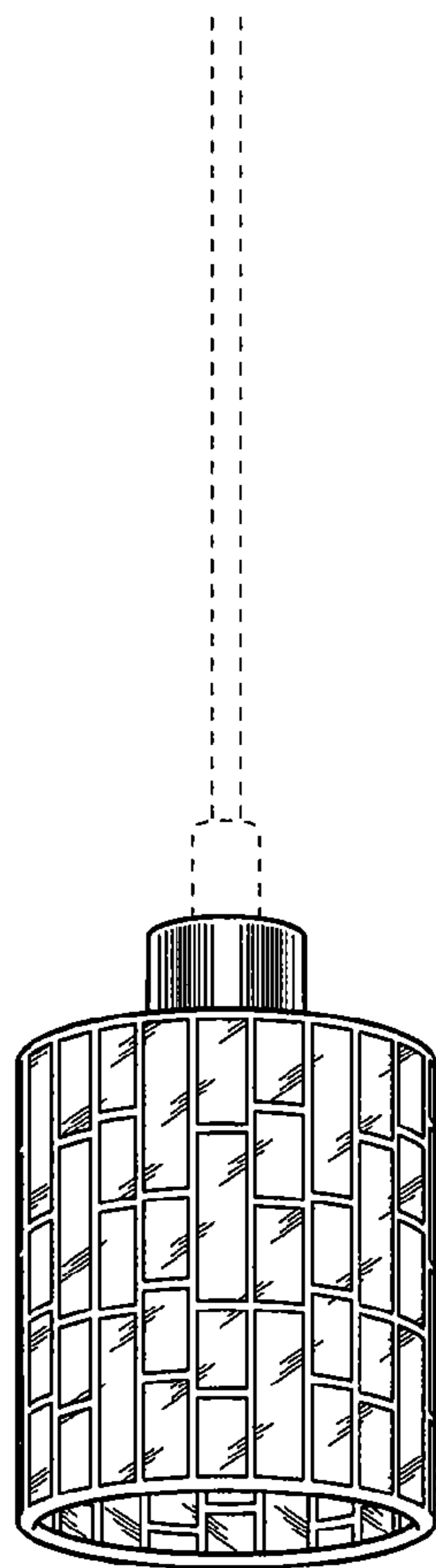
The broken lines showing environmental structure are for illustrative purposes only and form no part of the claimed design.

**1 Claim, 1 Drawing Sheet**

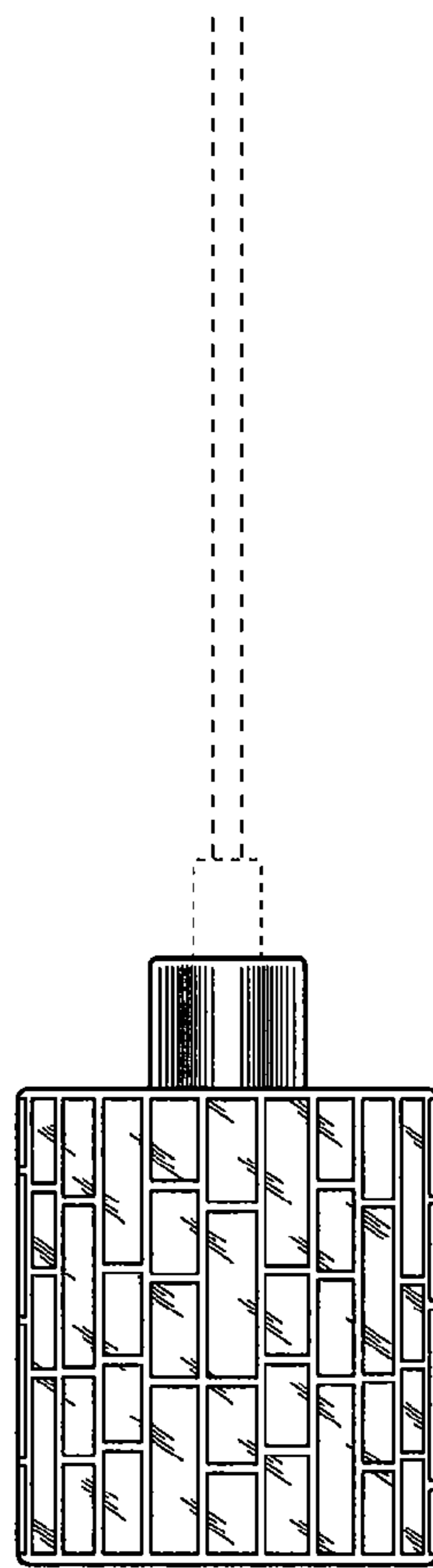




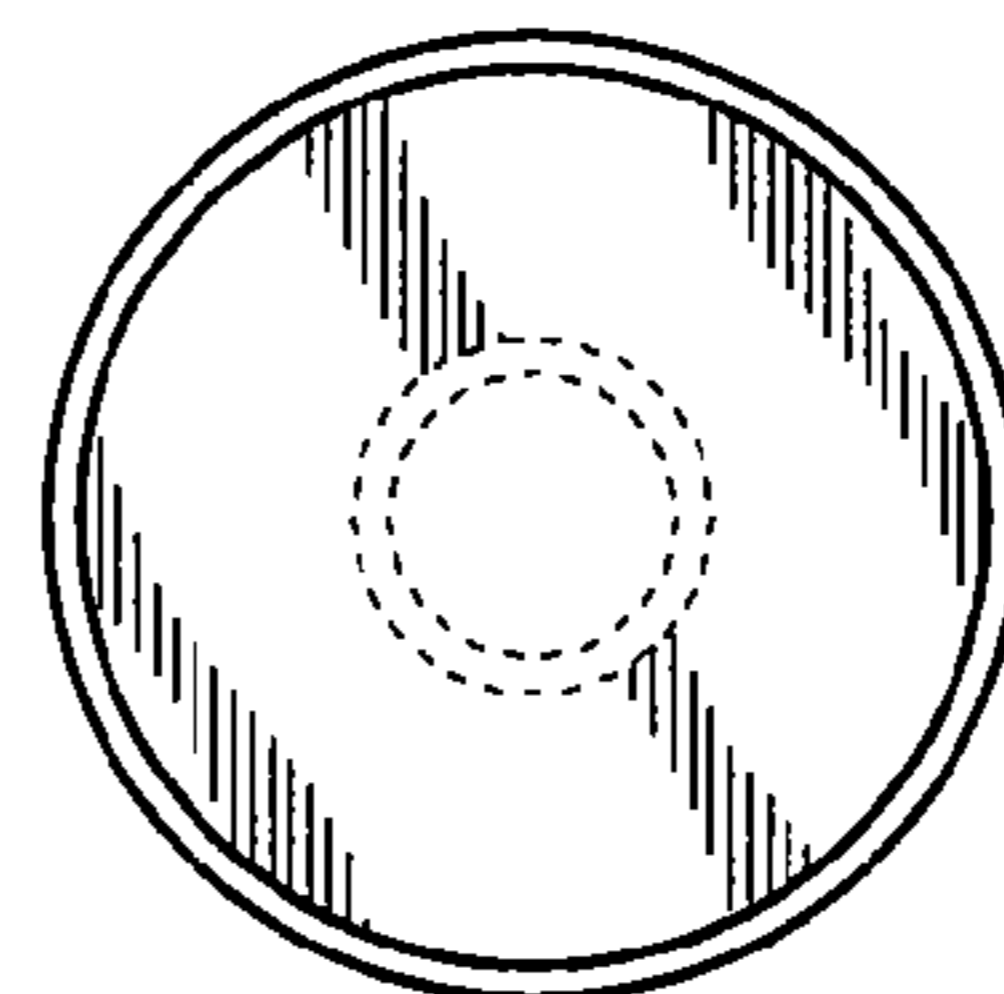
*Fig.2*



*Fig.1*



*Fig.4*



*Fig.3*