

US00D593701S

(12) **United States Design Patent**
Hackett

(10) **Patent No.:** **US D593,701 S**

(45) **Date of Patent:** **** Jun. 2, 2009**

(54) **GLOBE LIGHT FIXTURE**

(75) Inventor: **Alan R. Hackett**, Seal Beach, CA (US)

(73) Assignee: **Hubbell Incorporated**, Orange, CT (US)

(**) Term: **14 Years**

(21) Appl. No.: **29/311,011**

(22) Filed: **Dec. 5, 2008**

Related U.S. Application Data

(62) Division of application No. 29/300,476, filed on Mar. 31, 2008, now abandoned.

(51) **LOC (9) Cl.** **26-03**

(52) **U.S. Cl.** **D26/85; D26/67**

(58) **Field of Classification Search** D26/67-71,
D26/85, 87, 92, 153, 154; 362/147, 152,
362/183, 414, 431, 545; D25/135; 52/300,
52/302.5

See application file for complete search history.

(56) **References Cited**

U.S. PATENT DOCUMENTS

D62,542 S *	6/1923	Anderson	D26/67
D64,120 S	3/1924	Lieftuchter		
D64,695 S *	5/1924	Underwood	D26/67
D66,366 S	1/1925	Haley		
1,573,580 A	2/1926	Ruttle		
D70,869 S	8/1926	Underwood		
D77,410 S *	1/1929	Harris	D26/67
D81,452 S	7/1930	Osborn		
D81,634 S *	7/1930	De Witt	D26/68
1,778,061 A	10/1930	Butler		

D82,498 S *	11/1930	Haas	D26/154
1,833,122 A	11/1931	Oliver		
1,878,799 A *	9/1932	Ne Page	52/302.5
D163,786 S	7/1951	Black		
3,974,372 A *	8/1976	Cochran	362/431
4,434,455 A	2/1984	Merritt		
4,719,548 A	1/1988	Orosz		
D300,670 S *	4/1989	Ewing et al.	D26/67
D343,243 S	1/1994	Ewing et al.		
D403,095 S	12/1998	Ewing et al.		
D456,092 S *	4/2002	Ewing et al.	D26/67
D469,565 S	1/2003	Anderson et al.		
D515,231 S *	2/2006	Randazzo et al.	D26/67
D518,912 S *	4/2006	Burke	D26/87
2004/0070985 A1 *	4/2004	Haddad et al.	362/431

* cited by examiner

Primary Examiner—Clare E Heflin

(74) *Attorney, Agent, or Firm*—Jenae C. Gureff; Mark S. Bicks; Alfred N. Goodman

(57) **CLAIM**

The ornamental design for a globe light fixture, as shown and described.

DESCRIPTION

FIG. 1 is a front elevational view of a globe light fixture in accordance with the present invention;

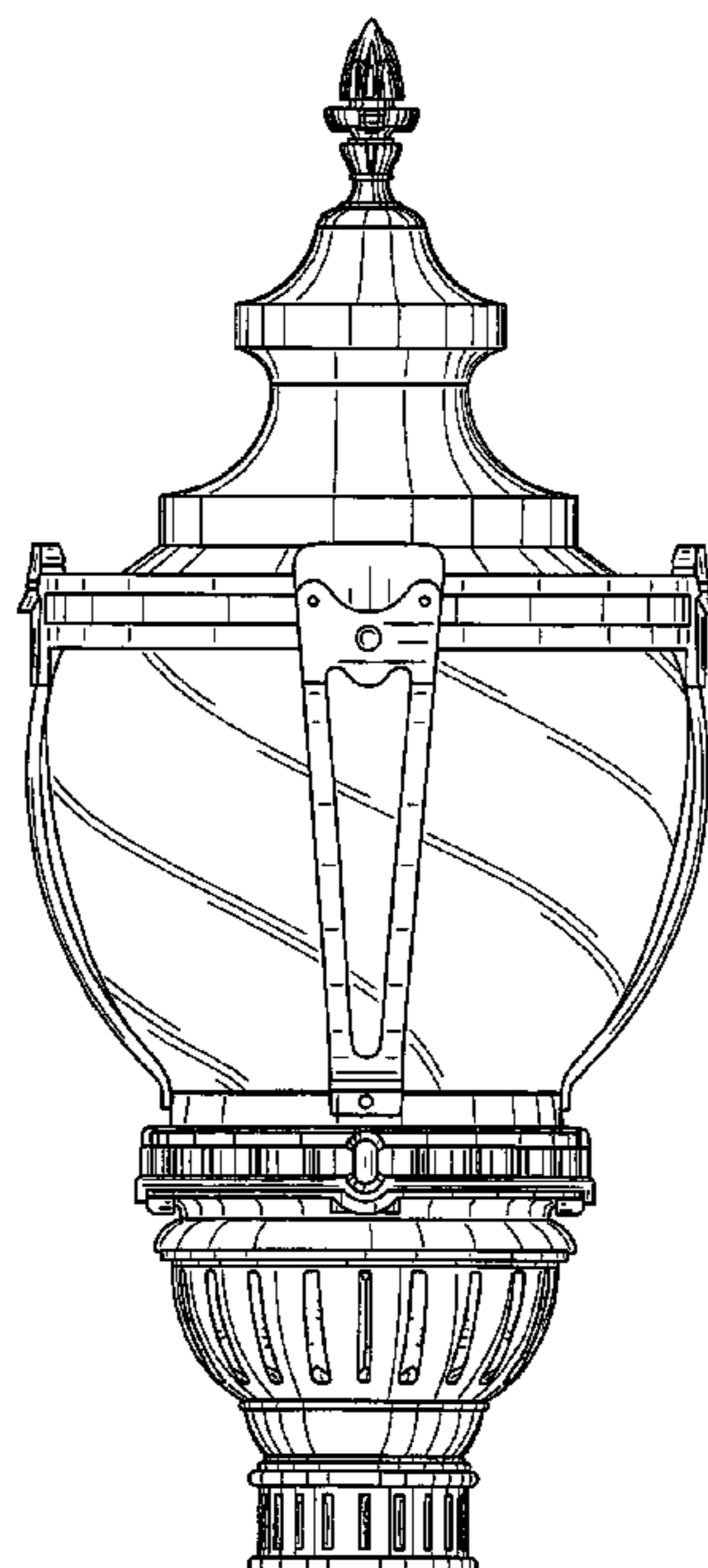
FIG. 2 is a top plan view thereof;

FIG. 3 is a bottom plan view thereof;

FIG. 4 is a bottom perspective view thereof; and,

FIG. 5 is an enlarged front elevational view of the finial portion thereof, with the remaining portions being omitted for illustrative purposes only.

1 Claim, 4 Drawing Sheets



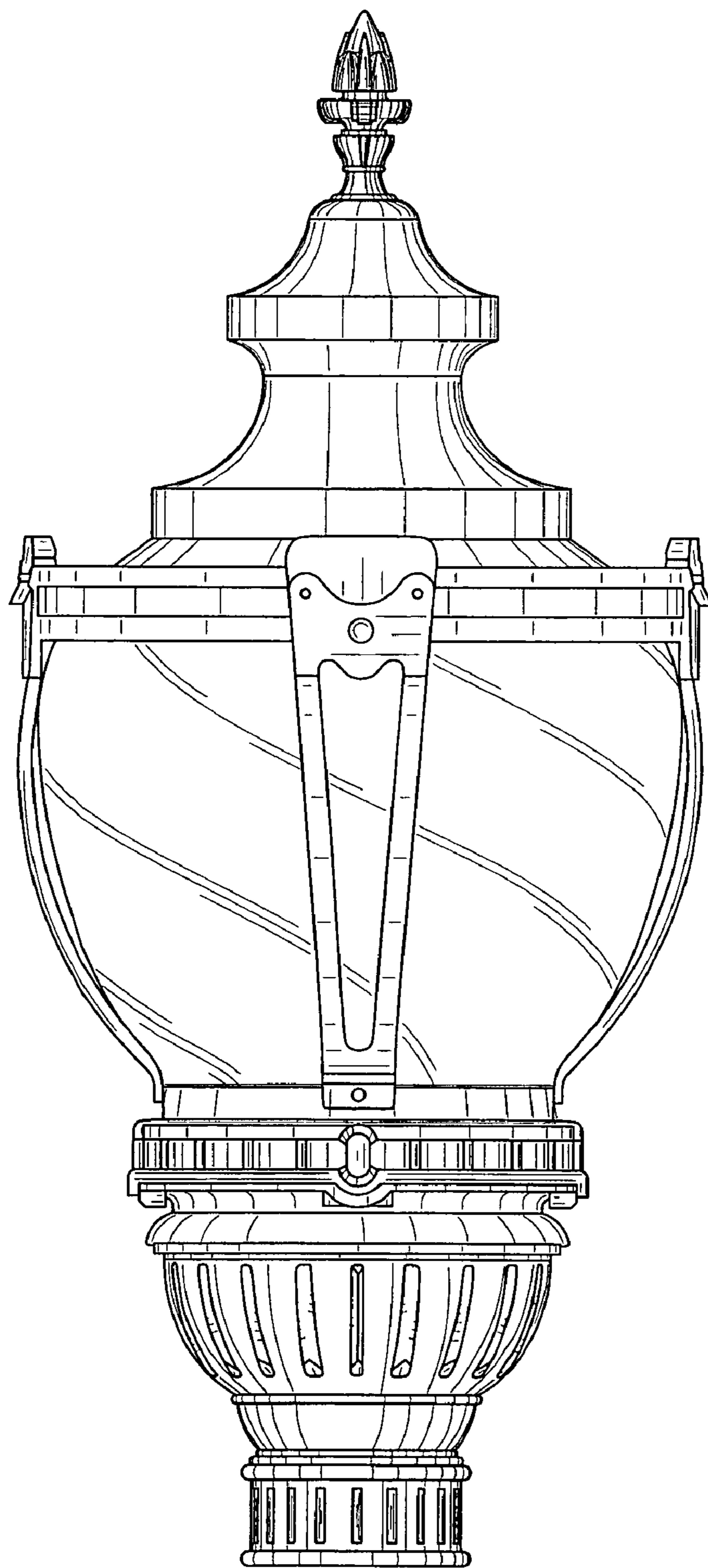


FIG. 1

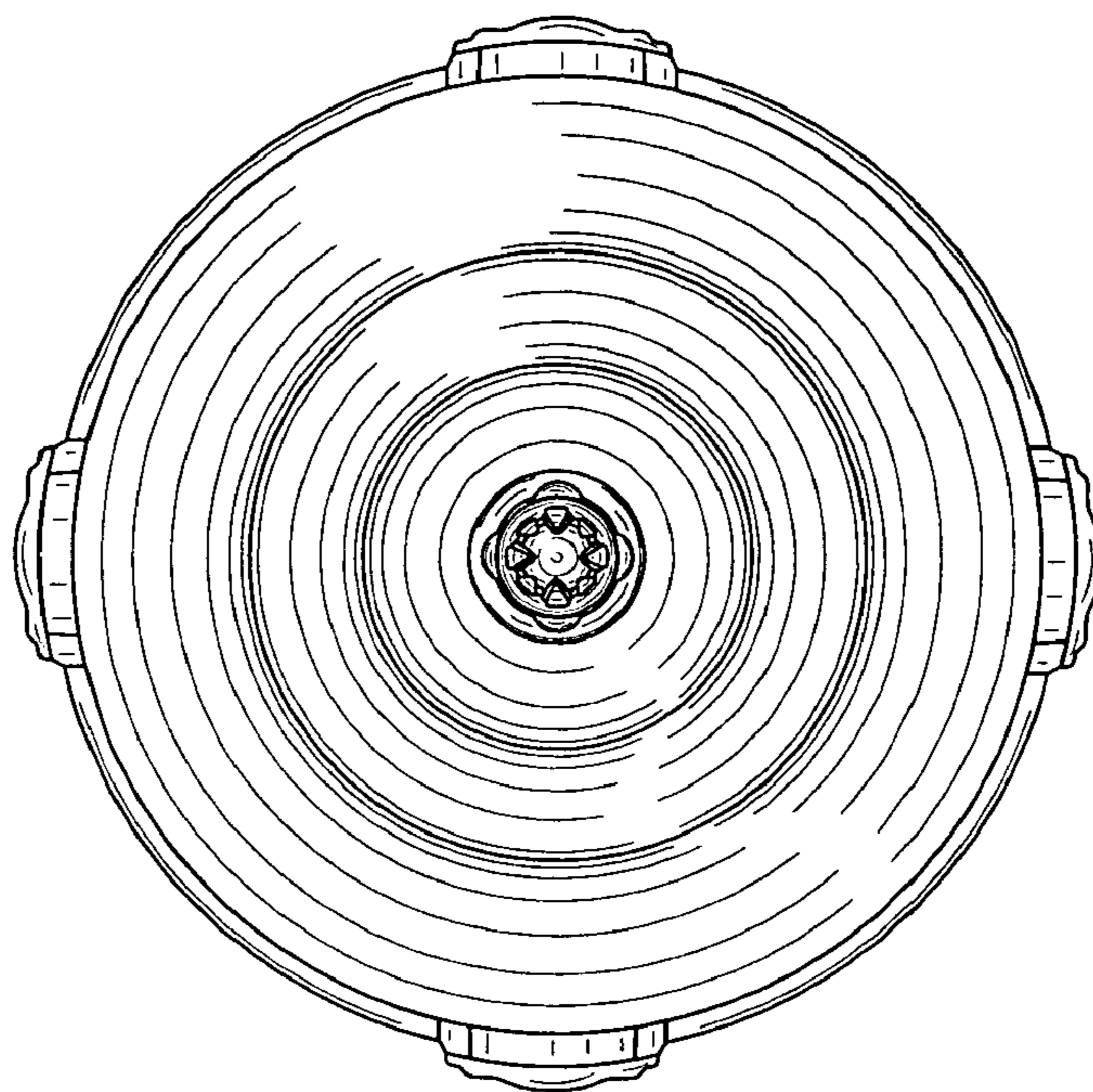


FIG. 2

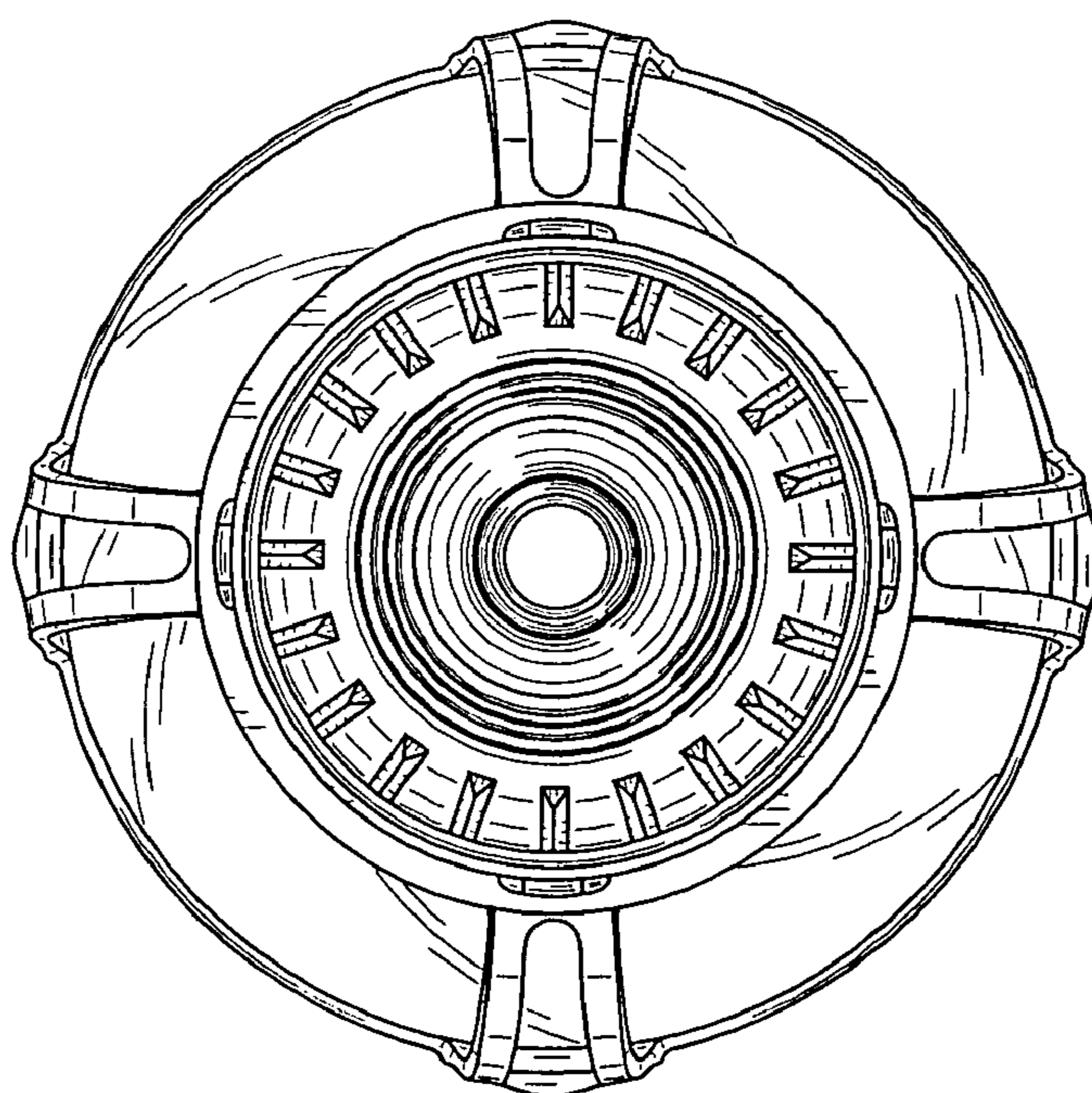


FIG. 3

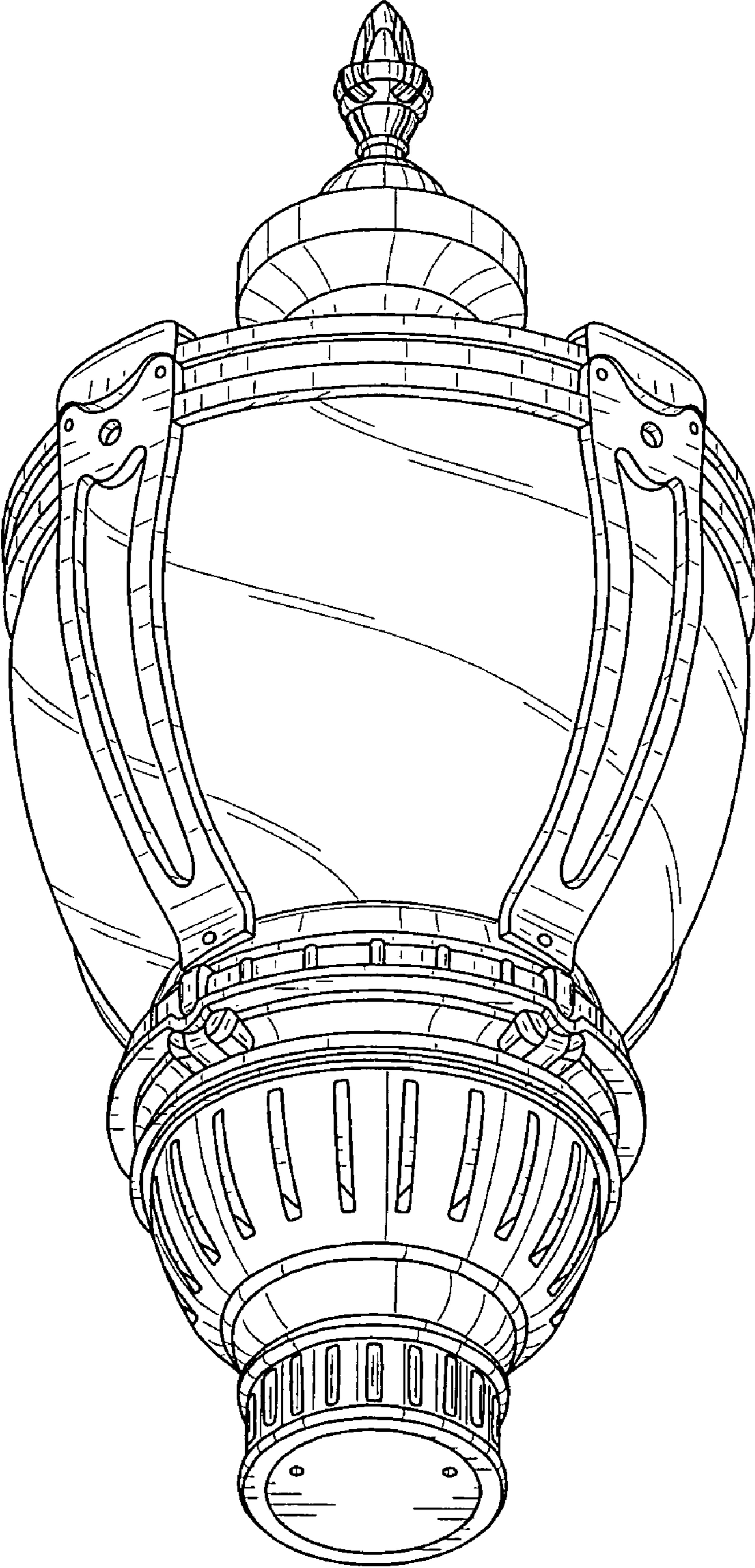


FIG. 4

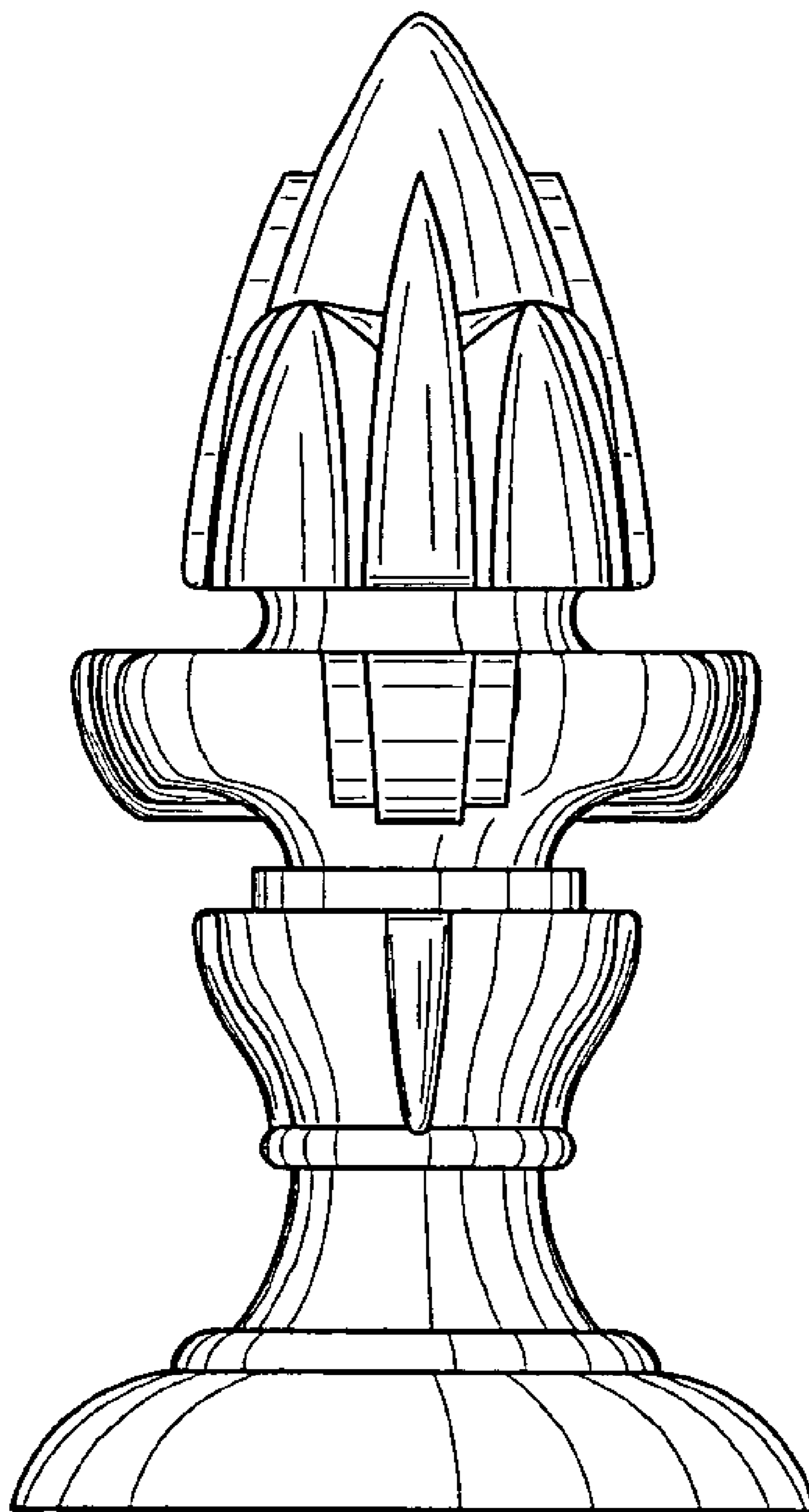


FIG. 5