

US00D593698S

(12) **United States Design Patent**  
**Noh**

(10) **Patent No.:** **US D593,698 S**  
(45) **Date of Patent:** **\*\* Jun. 2, 2009**

- (54) **FLUORESCENT LAMP FIXTURE**
- (75) Inventor: **Si Youl Noh**, Kyunggi-do (KR)
- (73) Assignee: **Averd Co., Ltd.**, Gyeonggi-Do (KR)
- (\*\*) Term: **14 Years**
- (21) Appl. No.: **29/280,077**
- (22) Filed: **May 15, 2007**
- (51) **LOC (9) Cl.** ..... **26-03**
- (52) **U.S. Cl.** ..... **D26/76; D26/78**
- (58) **Field of Classification Search** ..... D26/2,  
D26/24, 35, 61, 7, 72, 74-79, 81-92, 118,  
D26/122; 362/147, 217-225, 132, 260-263,  
362/267, 283, 337, 347, 364; 43/113; D23/372,  
D23/328, 385; D14/209; 52/98  
See application file for complete search history.

- 6,135,613 A \* 10/2000 Bodell et al. .... 362/223
- D438,326 S \* 2/2001 Kan ..... D26/76
- D459,516 S \* 6/2002 Demers et al. .... D26/75
- D496,122 S \* 9/2004 Kan ..... D26/76
- D496,486 S \* 9/2004 Kan ..... D26/76
- D517,235 S \* 3/2006 Vakil et al. .... D26/76
- D520,667 S \* 5/2006 Jae-Sung et al. .... D26/76
- D521,173 S \* 5/2006 Noh ..... D26/78
- D521,676 S \* 5/2006 Richner ..... D26/78
- D526,737 S \* 8/2006 Noh ..... D26/78
- D550,885 S \* 9/2007 Crosby ..... D26/76
- D554,793 S \* 11/2007 Bobel ..... D26/76
- 7,331,687 B1 \* 2/2008 Noh ..... 362/219
- D570,002 S \* 5/2008 Kitagawa et al. .... D26/3

\* cited by examiner

*Primary Examiner*—Robert M Spear  
*Assistant Examiner*—Susan E Krakower  
(74) *Attorney, Agent, or Firm*—Joseph Hyosuk Kim; JHK  
Law

(56) **References Cited**

**U.S. PATENT DOCUMENTS**

- 2,227,739 A \* 1/1941 Pollard ..... 362/217
- D130,059 S \* 10/1941 Herr ..... D26/78
- 2,348,930 A \* 5/1944 Schepmoes ..... 362/224
- 2,505,864 A \* 5/1950 Kelman ..... 200/51.07
- D163,762 S \* 6/1951 McCann ..... D26/76
- 2,595,520 A \* 5/1952 Guerin ..... 362/260
- 3,996,493 A \* 12/1976 Davenport et al. .... 315/58
- D274,657 S \* 7/1984 Herst et al. .... D26/76
- D330,269 S \* 10/1992 Hong ..... D26/76
- D348,947 S \* 7/1994 Holcomb ..... D26/76
- D356,382 S \* 3/1995 Jaksich ..... D26/75
- D371,858 S \* 7/1996 Waldmann ..... D26/76
- 5,727,869 A \* 3/1998 Crosby et al. .... 362/217
- 5,765,939 A \* 6/1998 Tanner, Jr. .... 362/219
- D396,122 S \* 7/1998 Noh ..... D26/76
- 5,906,427 A \* 5/1999 Noh ..... 362/223
- D424,230 S \* 5/2000 Noh ..... D26/76

(57) **CLAIM**

The ornamental design for a fluorescent lamp fixture, as shown and described.

**DESCRIPTION**

- FIG. 1 is a top, front and right side perspective view;
- FIG. 2 is a front elevational view thereof;
- FIG. 3 is a rear elevational view thereof;
- FIG. 4 is a left side elevational view thereof;
- FIG. 5 is a right side elevational view thereof;
- FIG. 6 is a top plan view thereof; and,
- FIG. 7 is a bottom plan view thereof.

The broken lines in the drawings represent environmental subject matter and form no part of the claimed design.

**1 Claim, 3 Drawing Sheets**

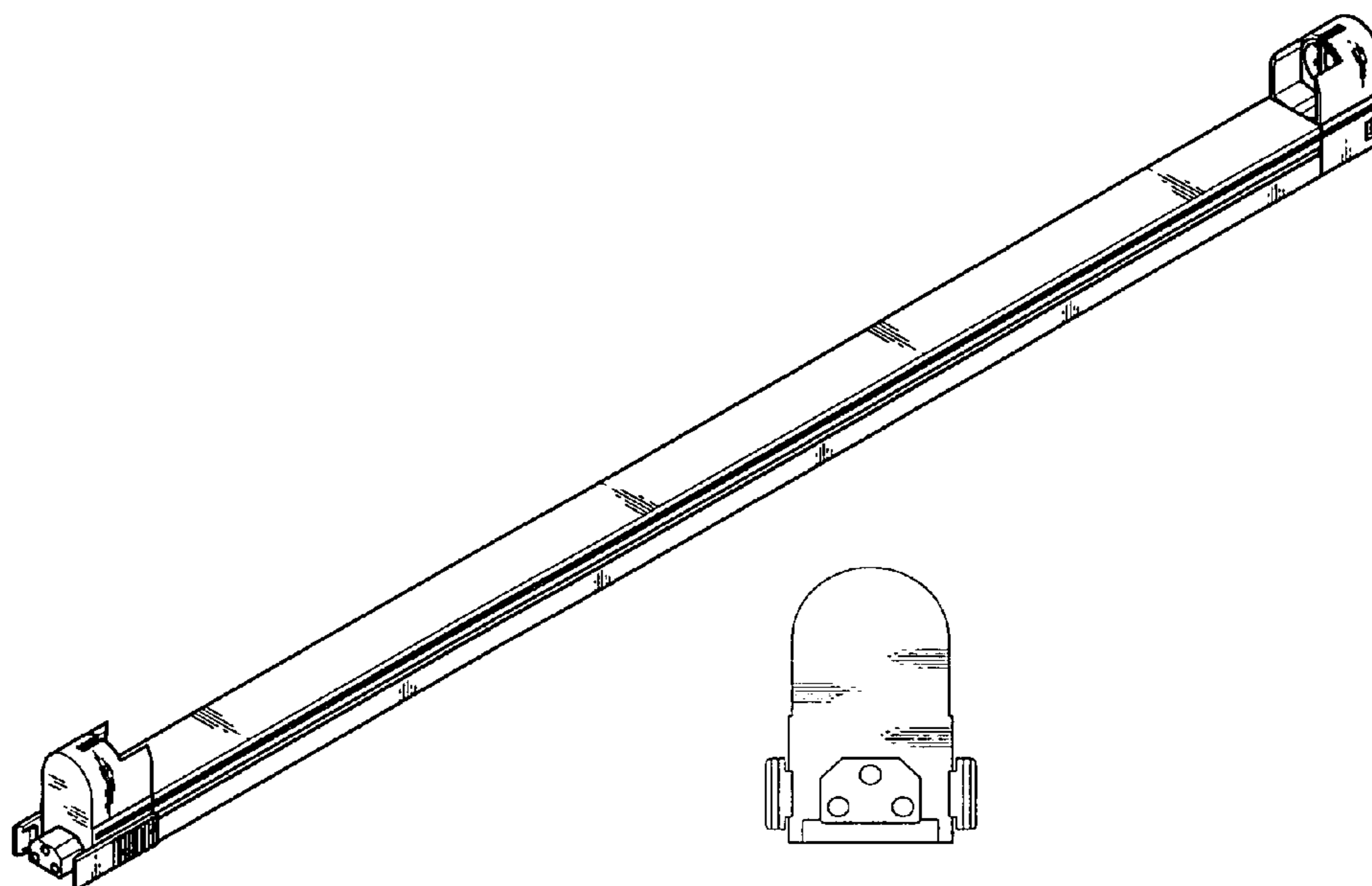


FIG. 1

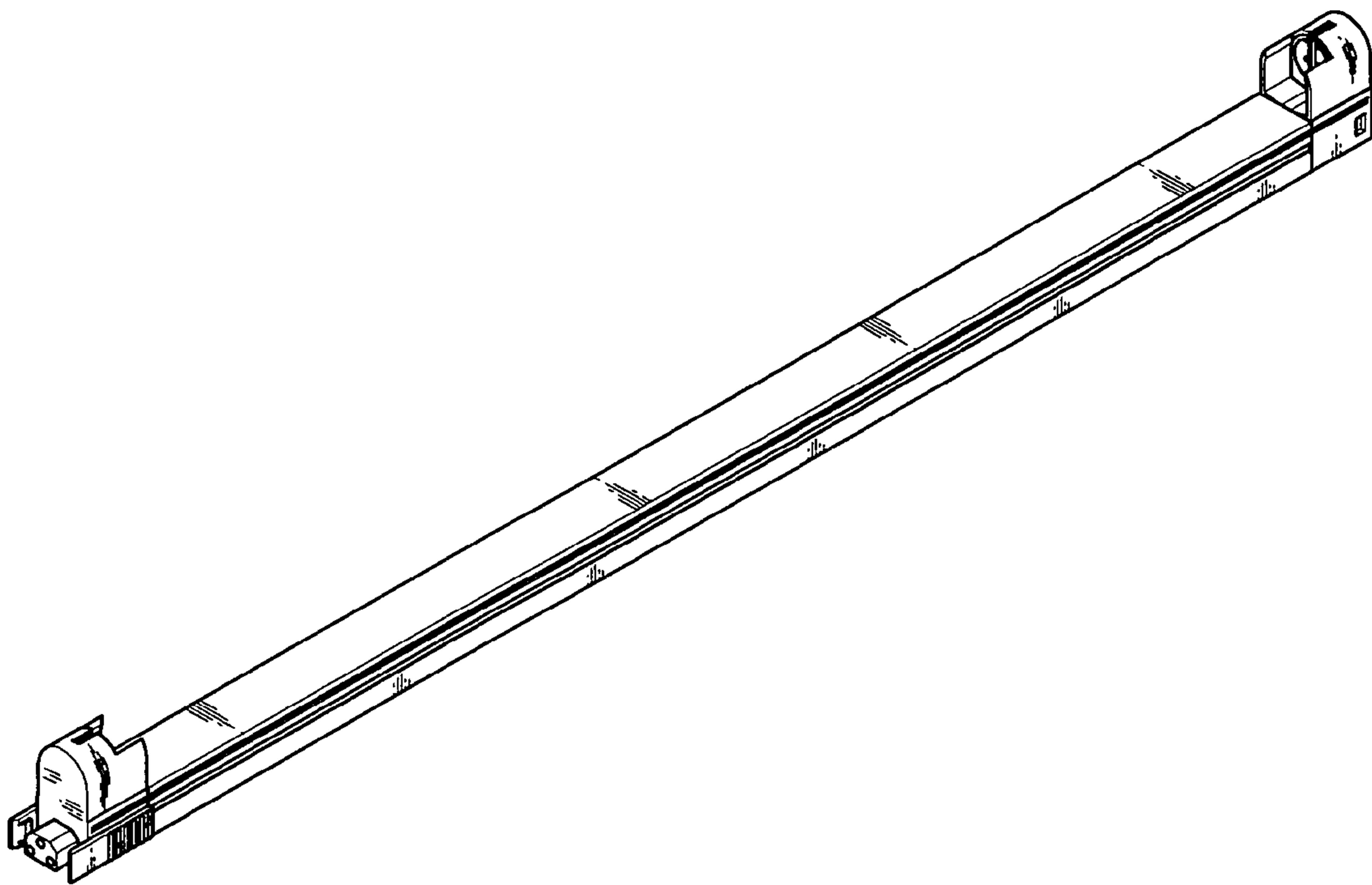


FIG. 2



FIG. 3



FIG. 4

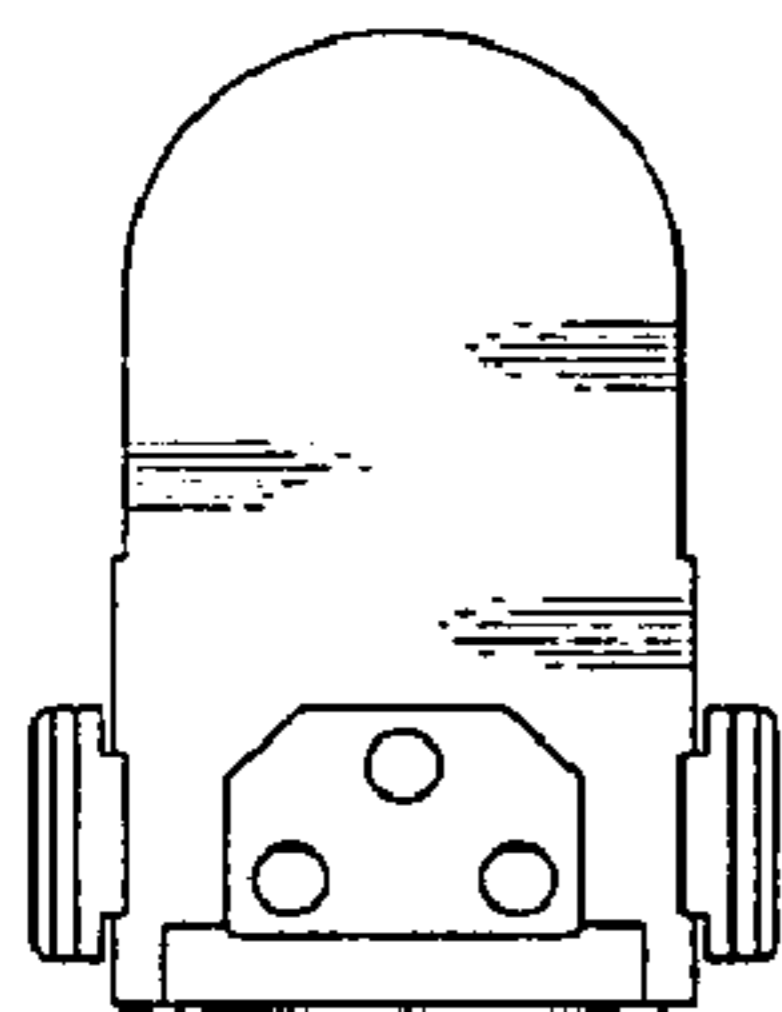


FIG. 5

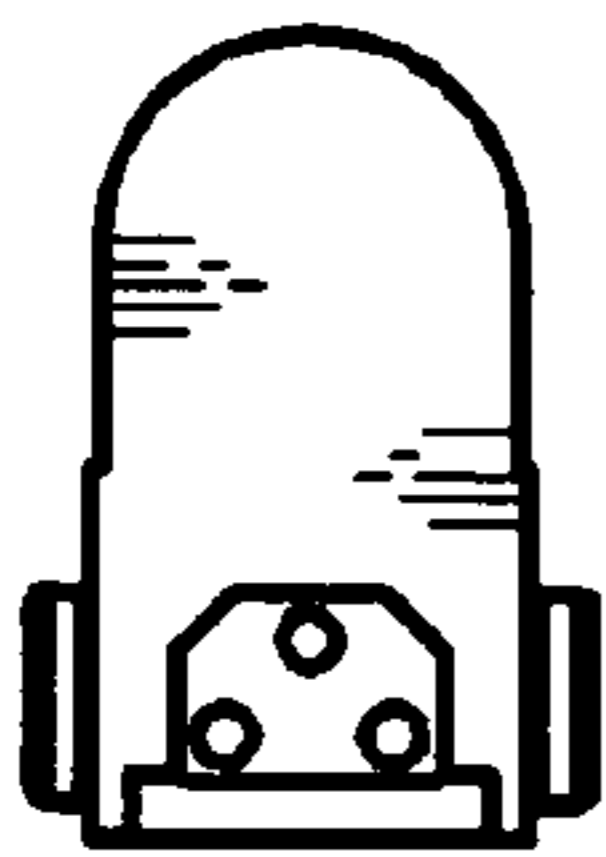


FIG. 6

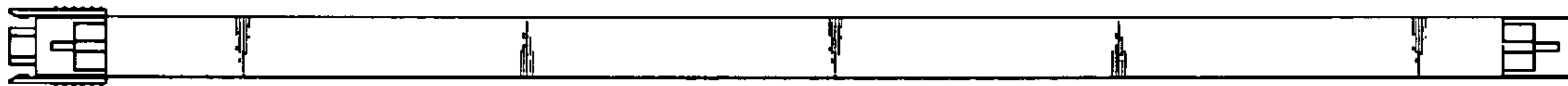


FIG. 7

