



US00D593696S

(12) **United States Design Patent**
Hackett

(10) **Patent No.:** **US D593,696 S**
(45) **Date of Patent:** **** Jun. 2, 2009**

(54) **GLOBE LIGHT FIXTURE**

(75) Inventor: **Alan R. Hackett**, Seal Beach, CA (US)

(73) Assignee: **Hubbell Incorporated**, Orange, CT (US)

(**) Term: **14 Years**

(21) Appl. No.: **29/311,010**

(22) Filed: **Dec. 5, 2008**

Related U.S. Application Data

(62) Division of application No. 29/300,476, filed on Mar. 31, 2008.

(51) **LOC (9) Cl.** **26-05**

(52) **U.S. Cl.** **D26/67; D26/154**

(58) **Field of Classification Search** D26/67-71,
D26/85, 87, 92, 153, 154; 362/147, 152,
362/183, 414, 431, 545; D25/135; 52/300,
52/302.5

See application file for complete search history.

(56) **References Cited**

U.S. PATENT DOCUMENTS

D64,120 S	3/1924	Lieftucher	
D66,366 S *	1/1925	Haley	D26/154
1,573,580 A	2/1926	Ruttle	
D70,869 S	8/1926	Underwood	
D81,452 S	4/1930	Osborn	
D81,634 S *	7/1930	De Witt	D26/68
1,778,061 A *	10/1930	Butler	362/368

D82,498 S *	11/1930	Haas	D26/154
1,833,122 A *	11/1931	Oliver	362/293
1,878,799 A *	9/1932	Ne Page	52/295
D163,786 S *	7/1951	Black	D26/154
3,974,372 A *	8/1976	Cochran	362/431
4,434,455 A *	2/1984	Merritt	362/307
4,719,548 A *	1/1988	Orosz	362/309
D343,243 S	1/1994	Ewing et al.	
D403,095 S *	12/1998	Ewing et al.	D26/67
D469,565 S	1/2003	Anderson et al.	
2004/0070985 A1 *	4/2004	Haddad et al.	362/431

* cited by examiner

Primary Examiner—Clare E Heflin

(74) *Attorney, Agent, or Firm*—Jenae C. Gureff; Mark S. Bicks; Alfred N. Goodman

(57) **CLAIM**

The ornamental design for a globe light fixture, as shown and described.

DESCRIPTION

FIG. 1 is a front elevational view of the globe light fixture in accordance with the present invention;

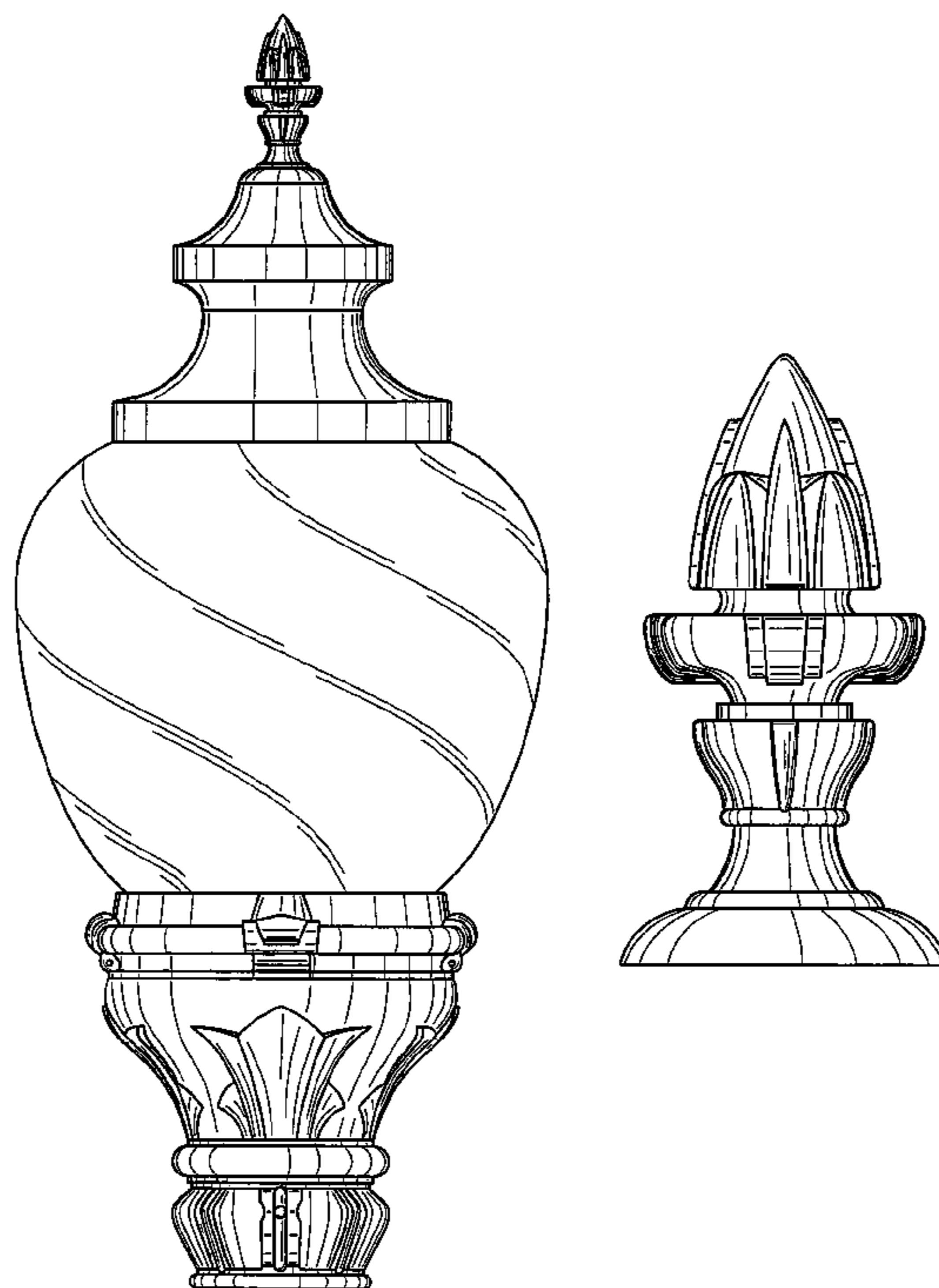
FIG. 2 is a top plan view thereof;

FIG. 3 is a bottom plan view thereof;

FIG. 4 is a bottom perspective view thereof; and,

FIG. 5 is an enlarged fragmentary view thereof, showing only the finial portion of the light fixture, with the remaining structure being omitted for illustrative purposes only.

1 Claim, 4 Drawing Sheets



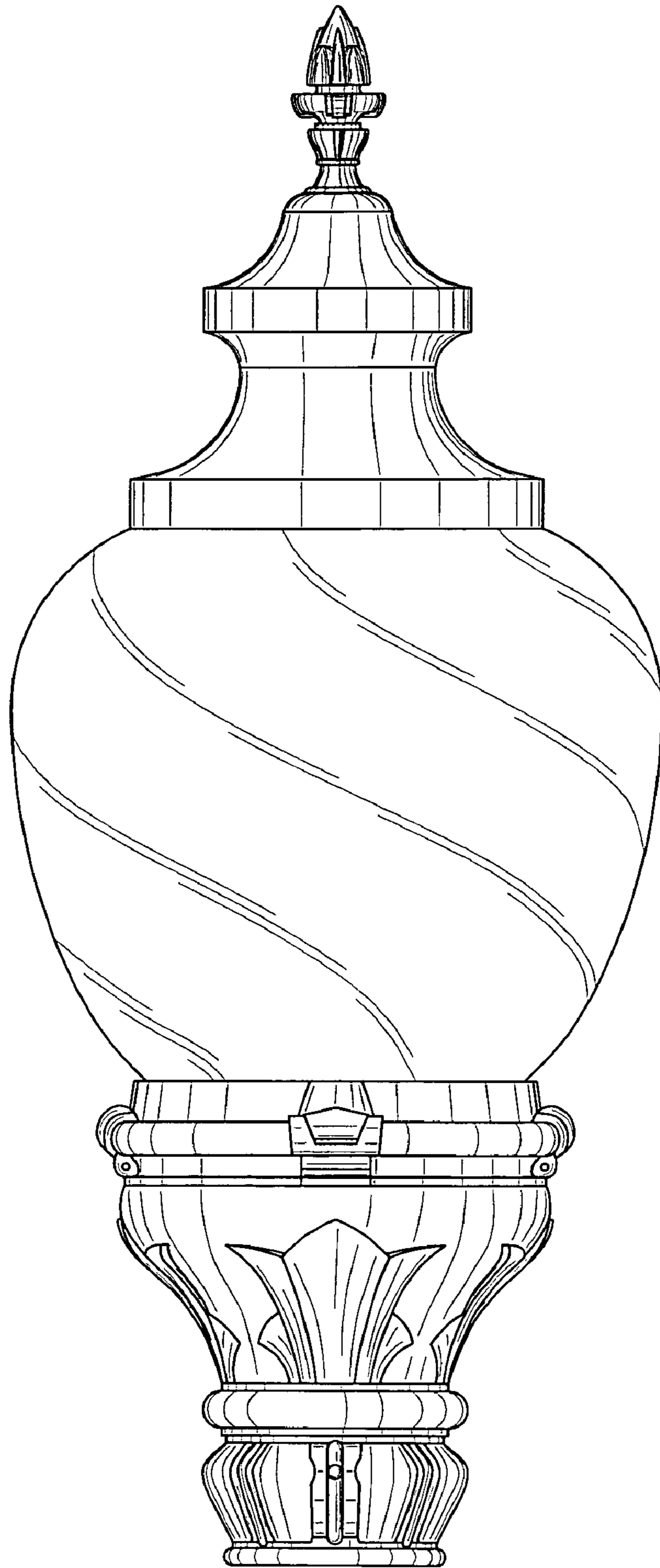


FIG. 1

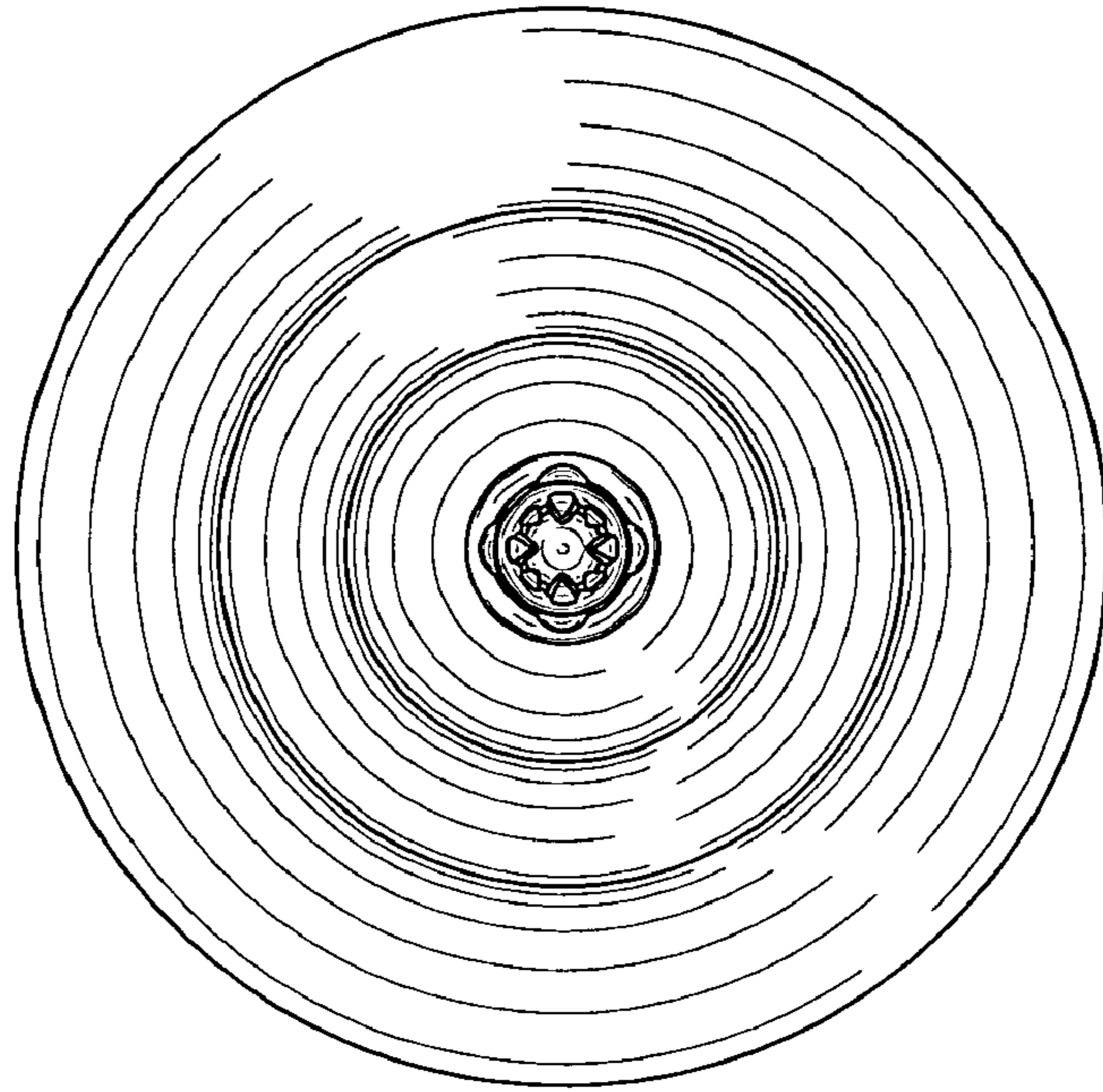


FIG. 2

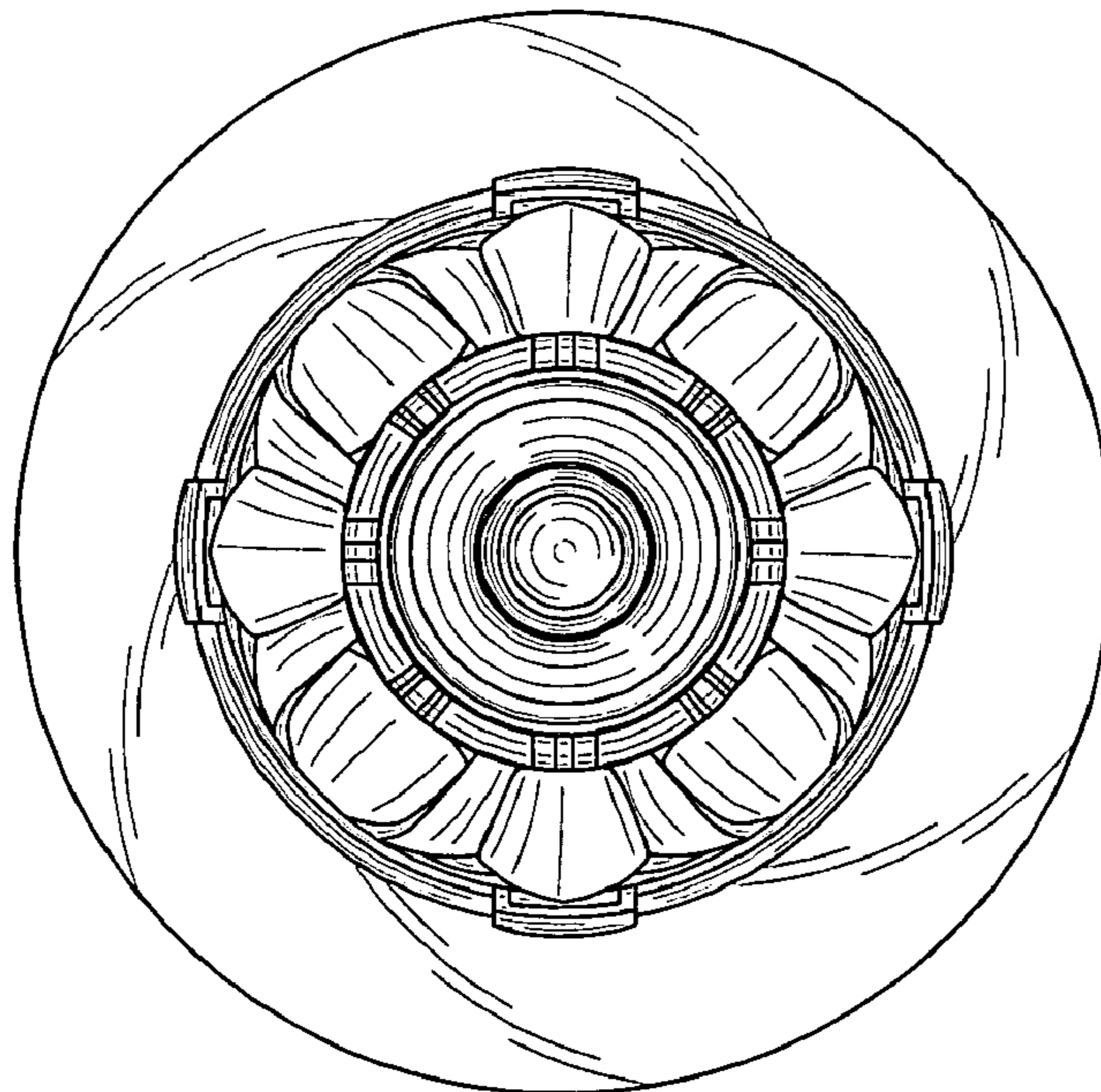


FIG. 3

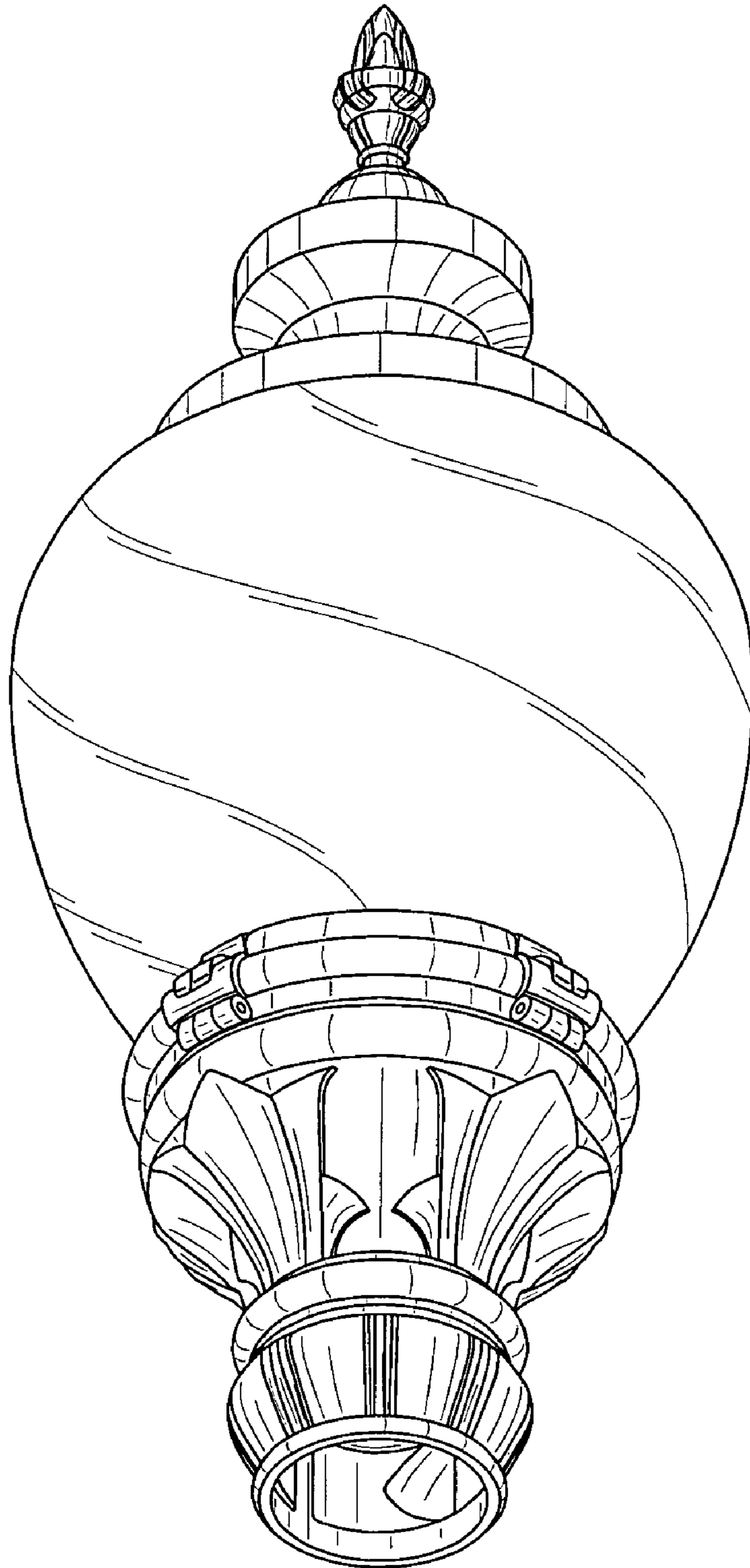


FIG. 4

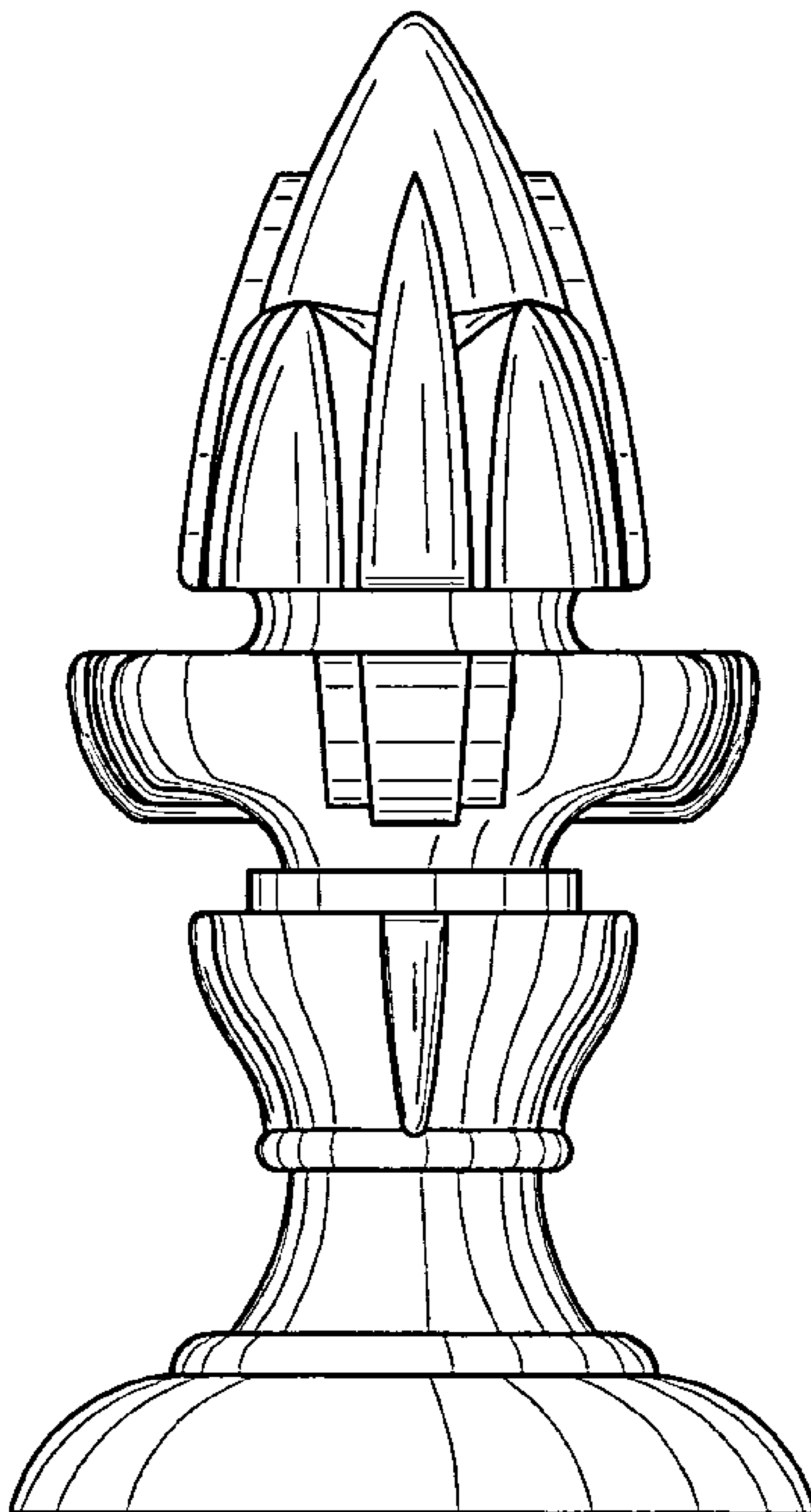


FIG. 5