



US00D593693S

(12) **United States Design Patent**  
**Adamany et al.**

(10) **Patent No.:** **US D593,693 S**  
(45) **Date of Patent:** **\*\* Jun. 2, 2009**

(54) **COMBINED FLASHLIGHT AND DOCKING STATION**

2006/0193127 A1\* 8/2006 Kumthampinij et al. .... 362/200  
\* cited by examiner

(75) Inventors: **Richard C. Adamany**, Chagrin Falls, OH (US); **Bennett S. Rubin**, Pepper Pike, OH (US)

*Primary Examiner*—Jeffrey D Asch  
*Assistant Examiner*—Carissa C Fitts  
(74) *Attorney, Agent, or Firm*—Smith, Gambrell & Russell, LLP

(73) Assignee: **Crestwood Partners LLC**, Mayfield Village, OH (US)

(57) **CLAIM**

(\*\*) Term: **14 Years**

The ornamental design for a combined flashlight and docking station, as shown and described.

(21) Appl. No.: **29/300,029**

(22) Filed: **Feb. 12, 2008**

**DESCRIPTION**

(51) **LOC (9) Cl.** ..... **26-02**

FIG. 1 is a bottom perspective view of a combined flashlight and docking station of the present invention in conjunction with a multi-function tool docked at the station;

(52) **U.S. Cl.** ..... **D26/37; D26/38**

FIG. 2 is a top perspective view thereof;

(58) **Field of Classification Search** ..... D26/37,  
D26/38, 46, 48; 362/157, 158, 183, 184,  
362/185, 187, 189, 194–208; D8/87, 105  
See application file for complete search history.

FIG. 3 is a bottom view thereof;

FIG. 4 is a top view thereof;

FIG. 5 is a right side view thereof;

FIG. 6 is a left side view thereof;

FIG. 7 is a front view thereof;

FIG. 8 is a rear view thereof;

FIG. 9 is a bottom view of the micro-flashlight station isolated from the multi-function tool;

FIG. 10 is a right side view, similar to FIG. 9; and,

FIG. 11 is a left side view, similar to FIGS. 9 and 10.

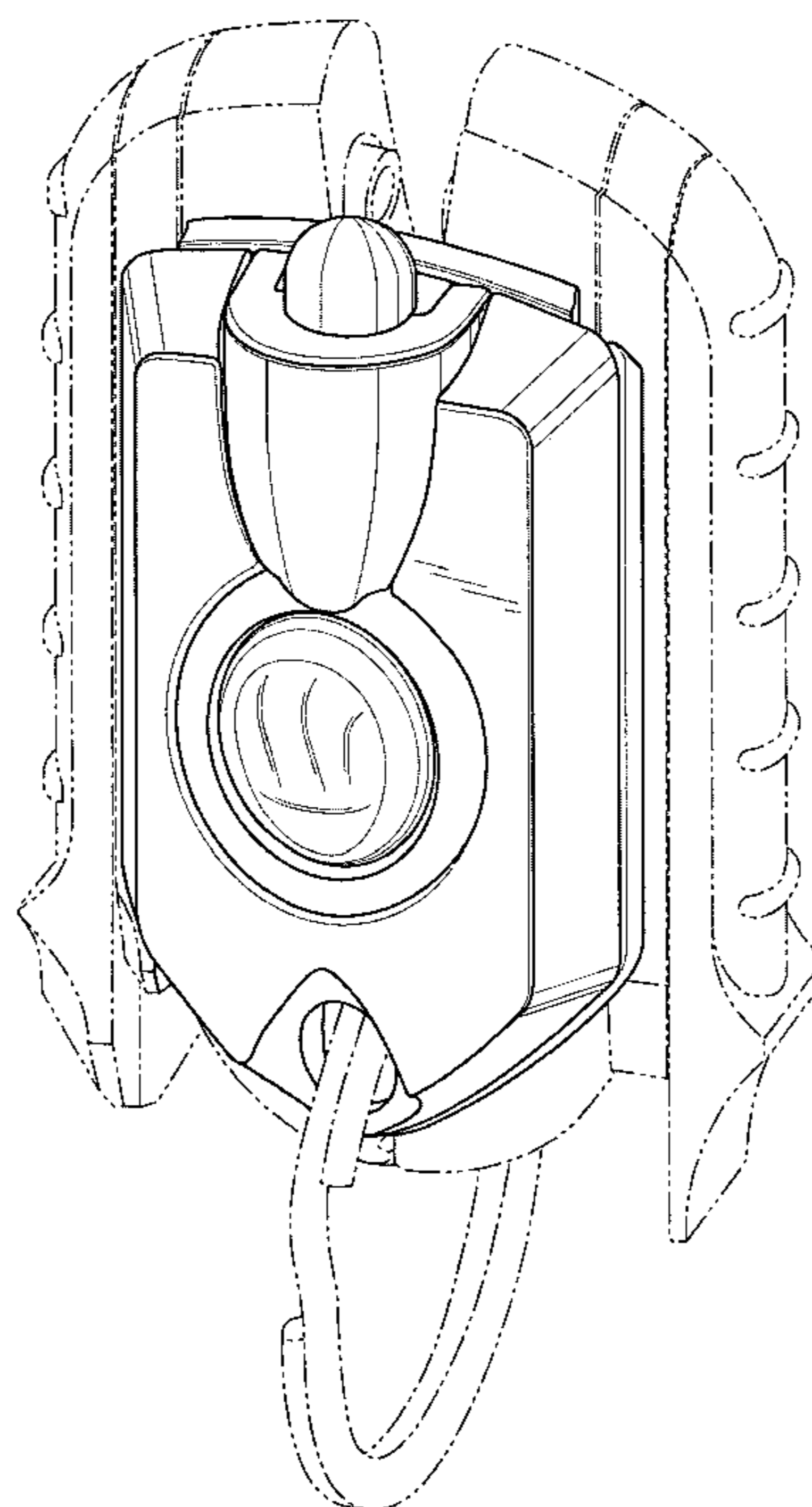
The broken line showing is for illustrative purposes only and forms no part of the claimed design.

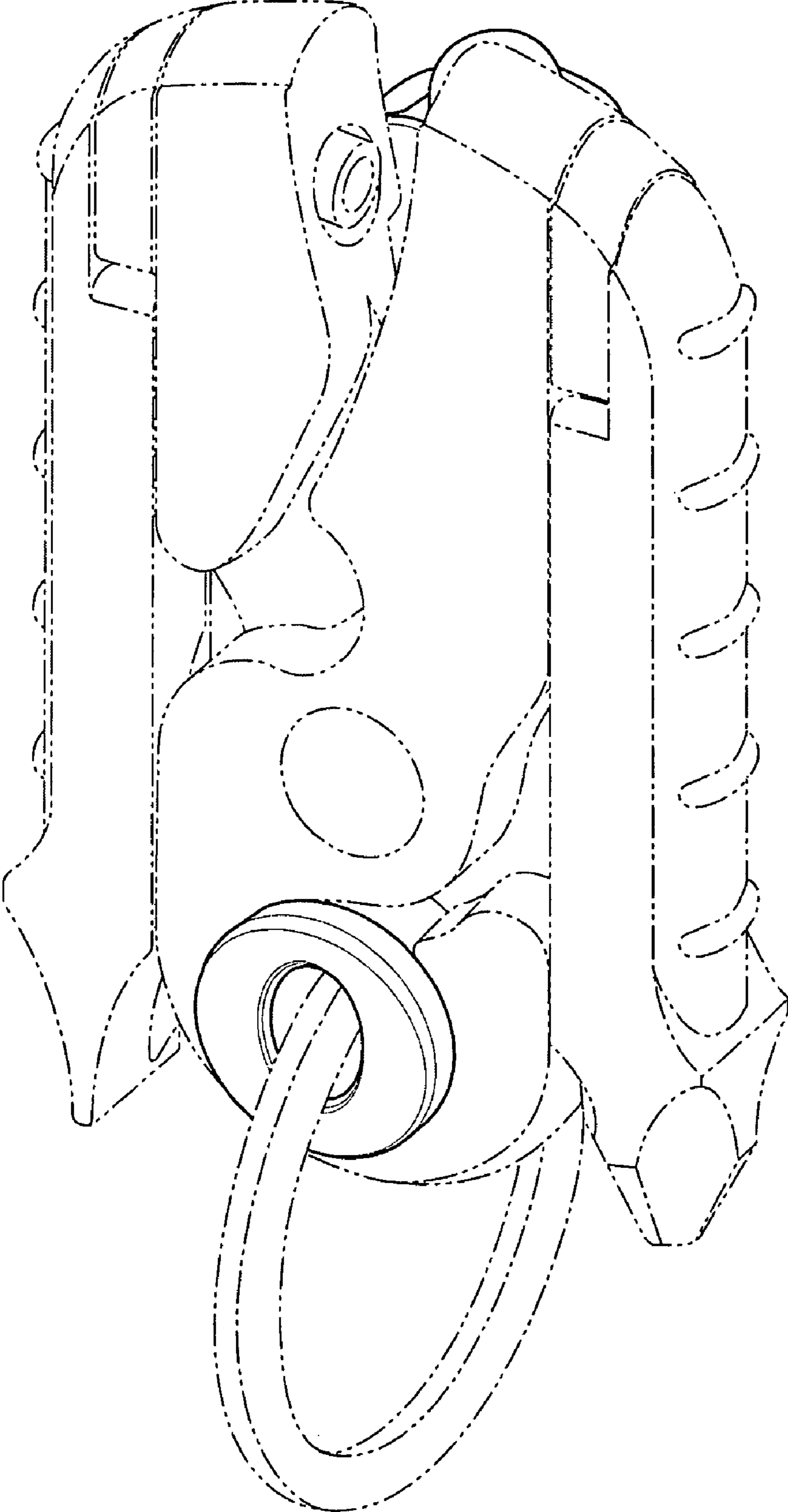
(56) **References Cited**

**U.S. PATENT DOCUMENTS**

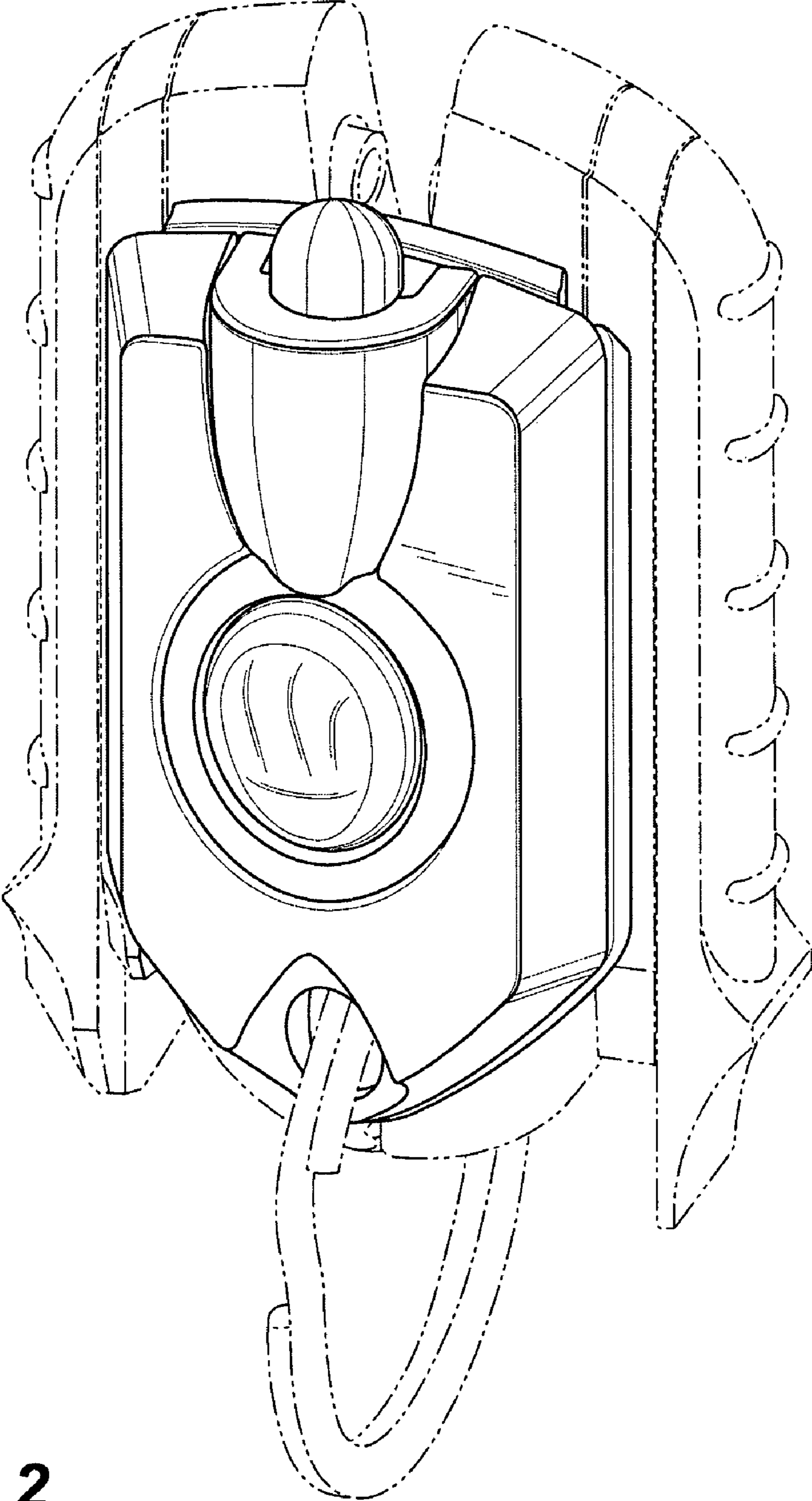
D463,052 S *	9/2002	Shiu	.....	D26/38
D507,671 S *	7/2005	Rice	.....	D26/37
D514,063 S	1/2006	Rubin et al.		
D514,512 S	2/2006	Rubin et al.		
D522,519 S	6/2006	Rubin et al.		
D525,247 S	7/2006	Rubin et al.		
D543,297 S *	5/2007	Osiecki et al.	.....	D26/37
D544,388 S *	6/2007	Chisholm	.....	D10/114
D552,276 S *	10/2007	Shaljian	.....	D26/37
D564,387 S *	3/2008	Rubin et al.	.....	D10/104
2003/0137833 A1 *	7/2003	Hsu	.....	362/196

**1 Claim, 10 Drawing Sheets**

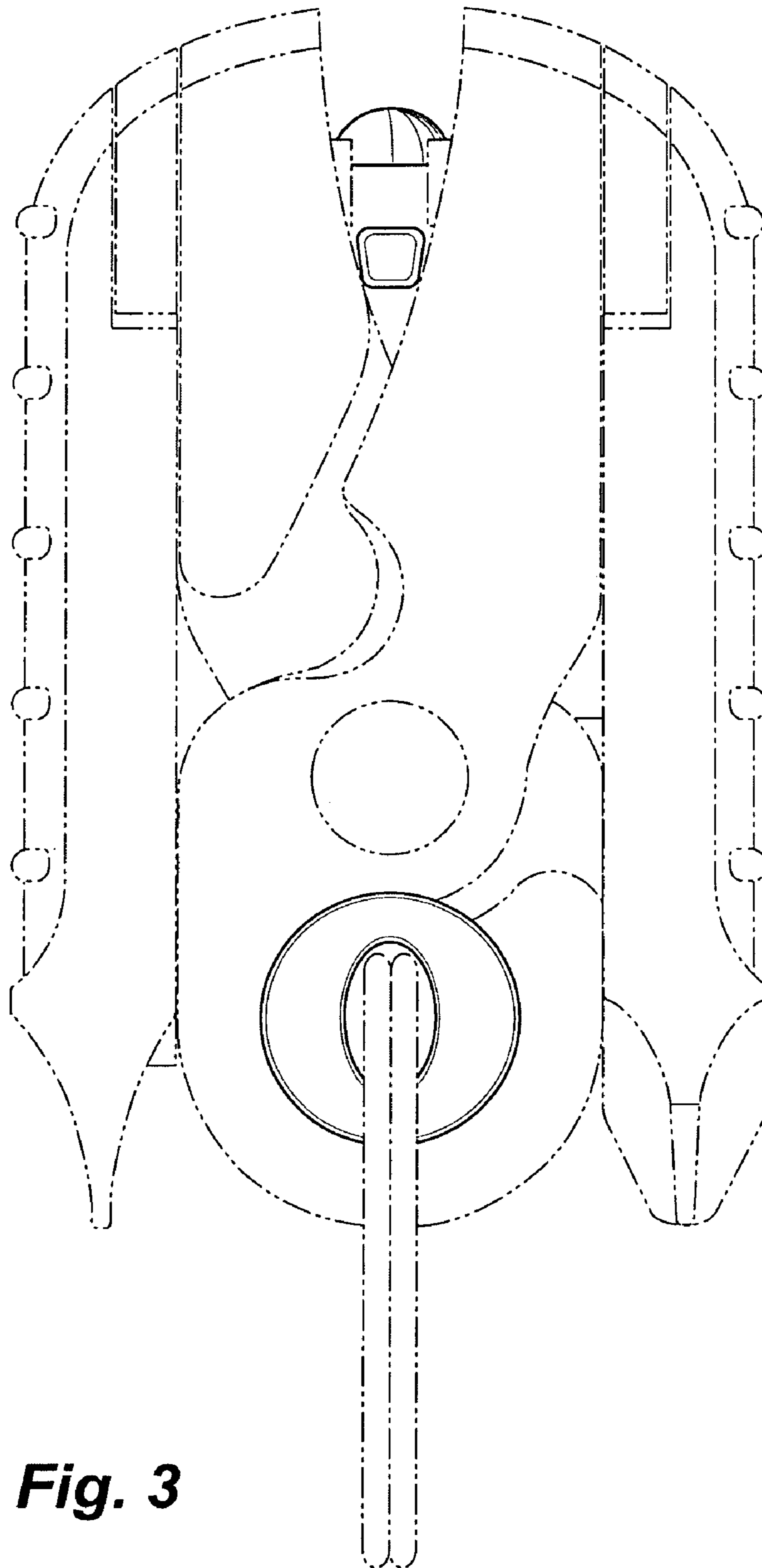




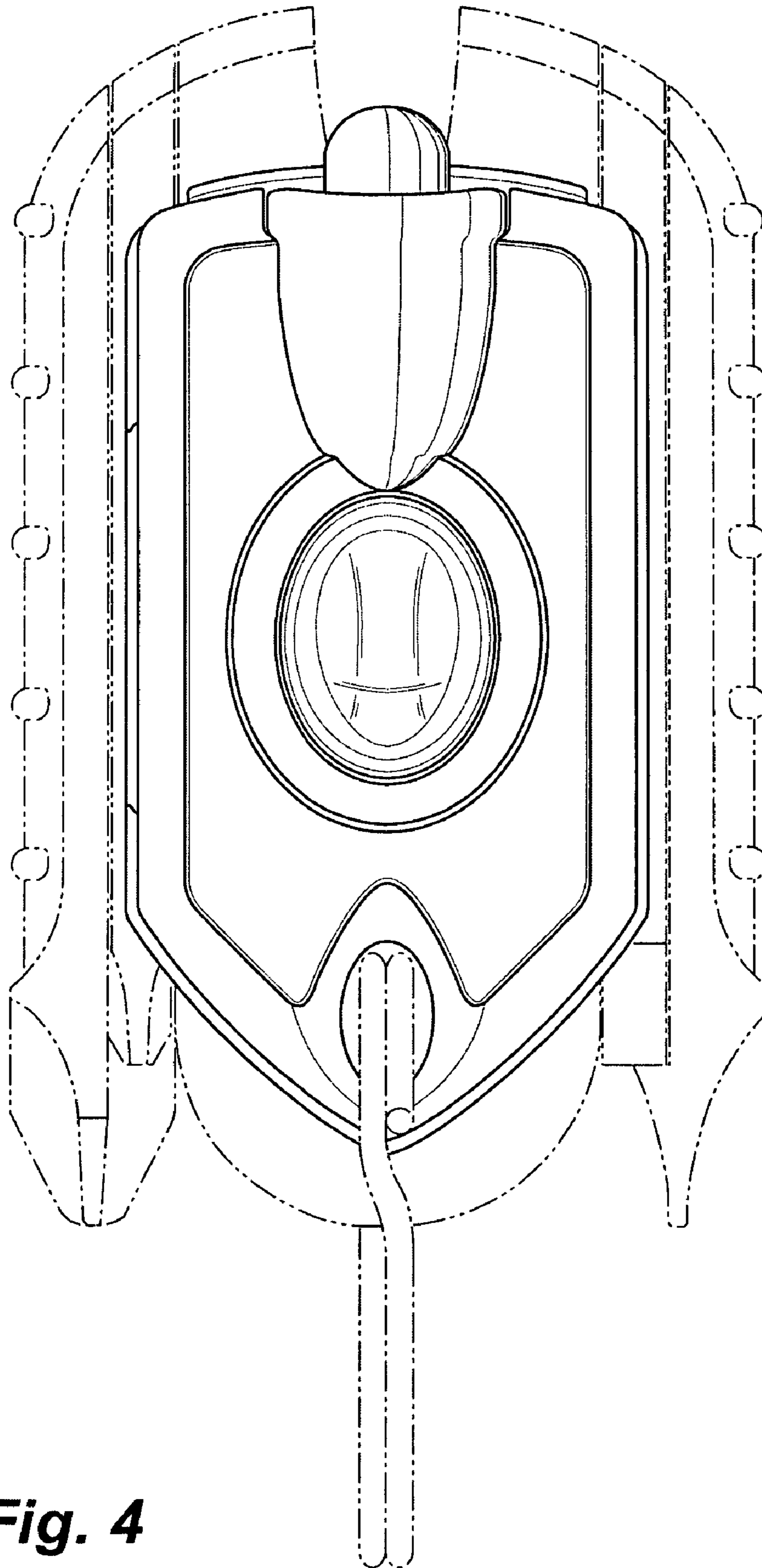
**Fig. 1**



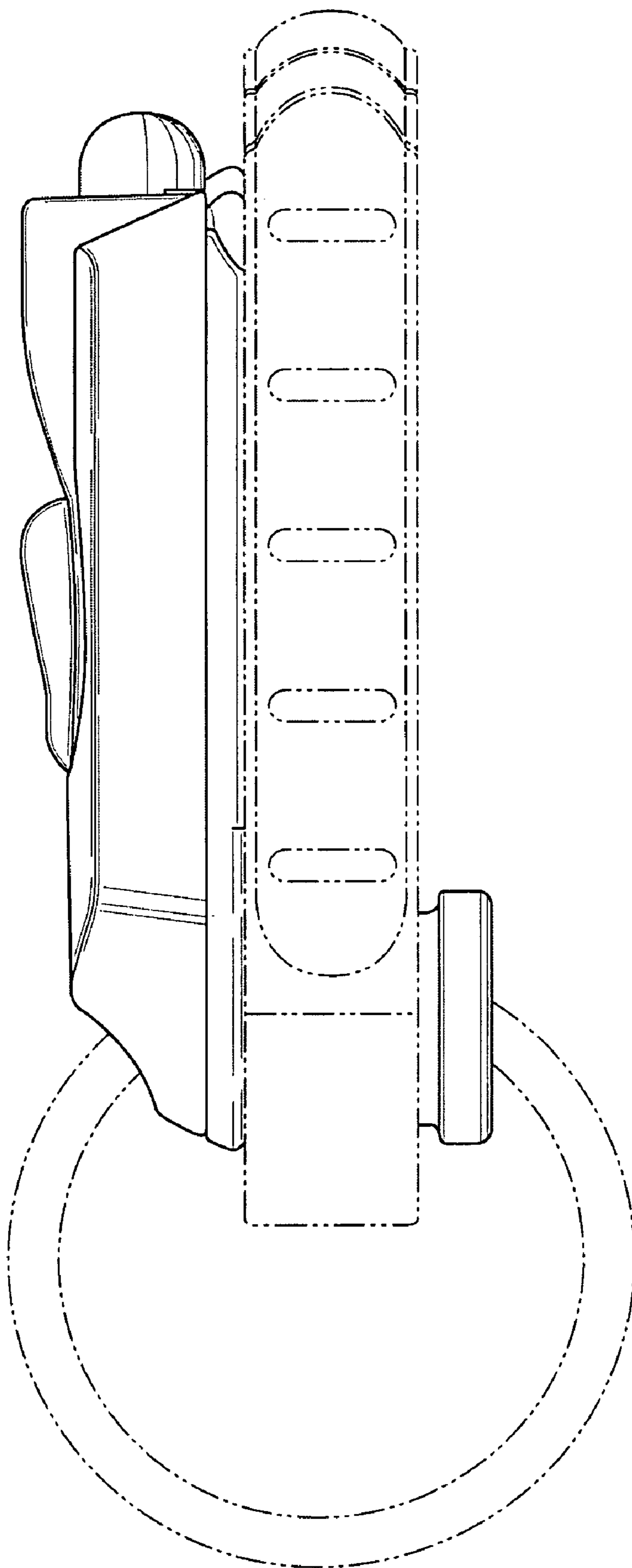
**Fig. 2**



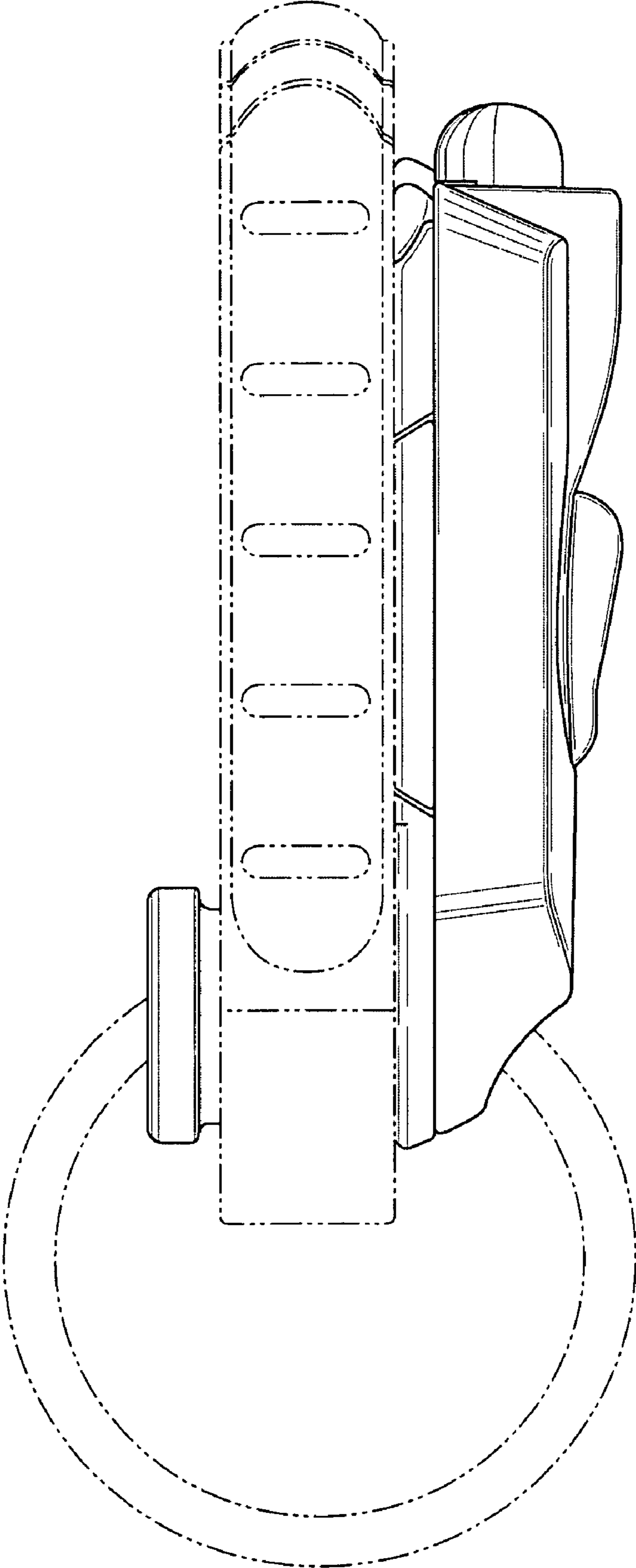
**Fig. 3**



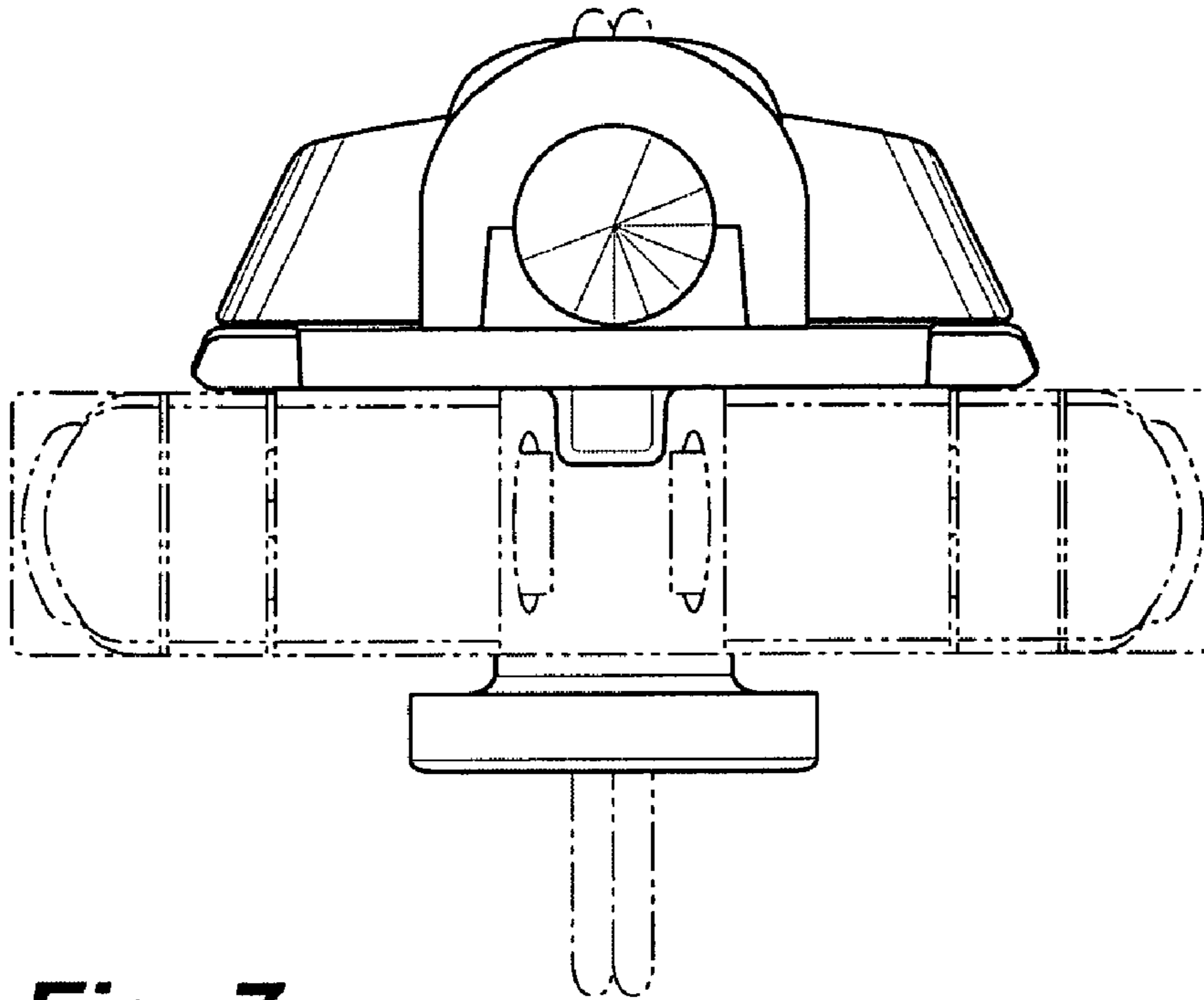
**Fig. 4**



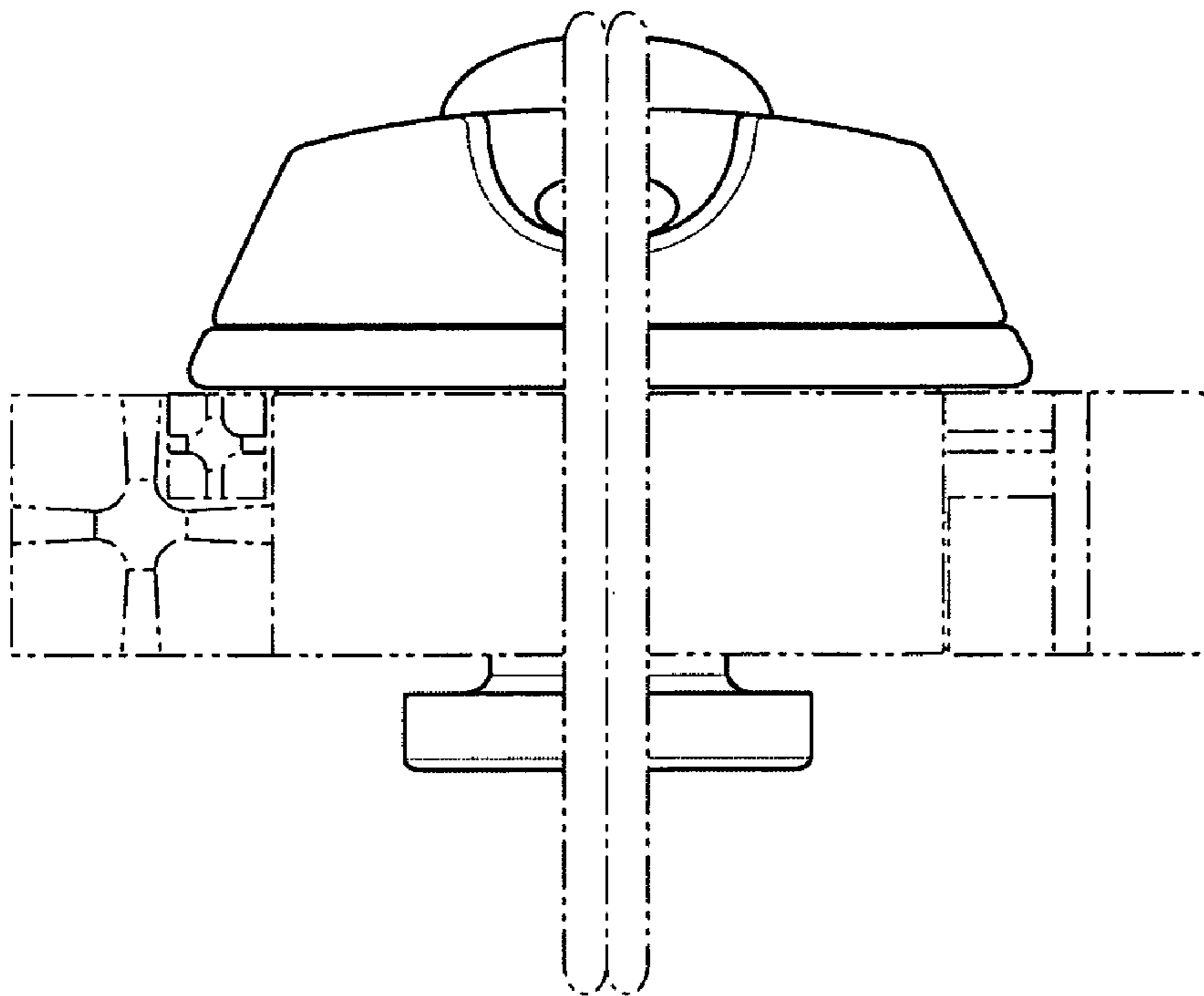
**Fig. 5**



**Fig. 6**

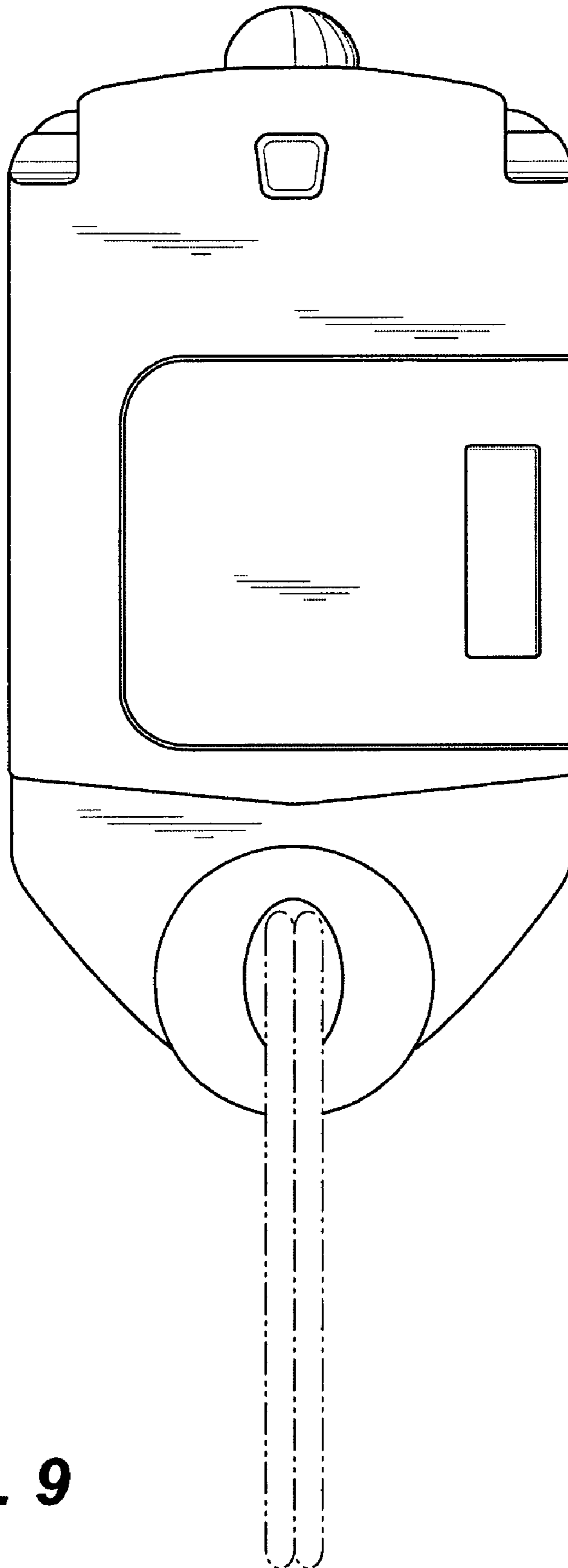


**Fig. 7**

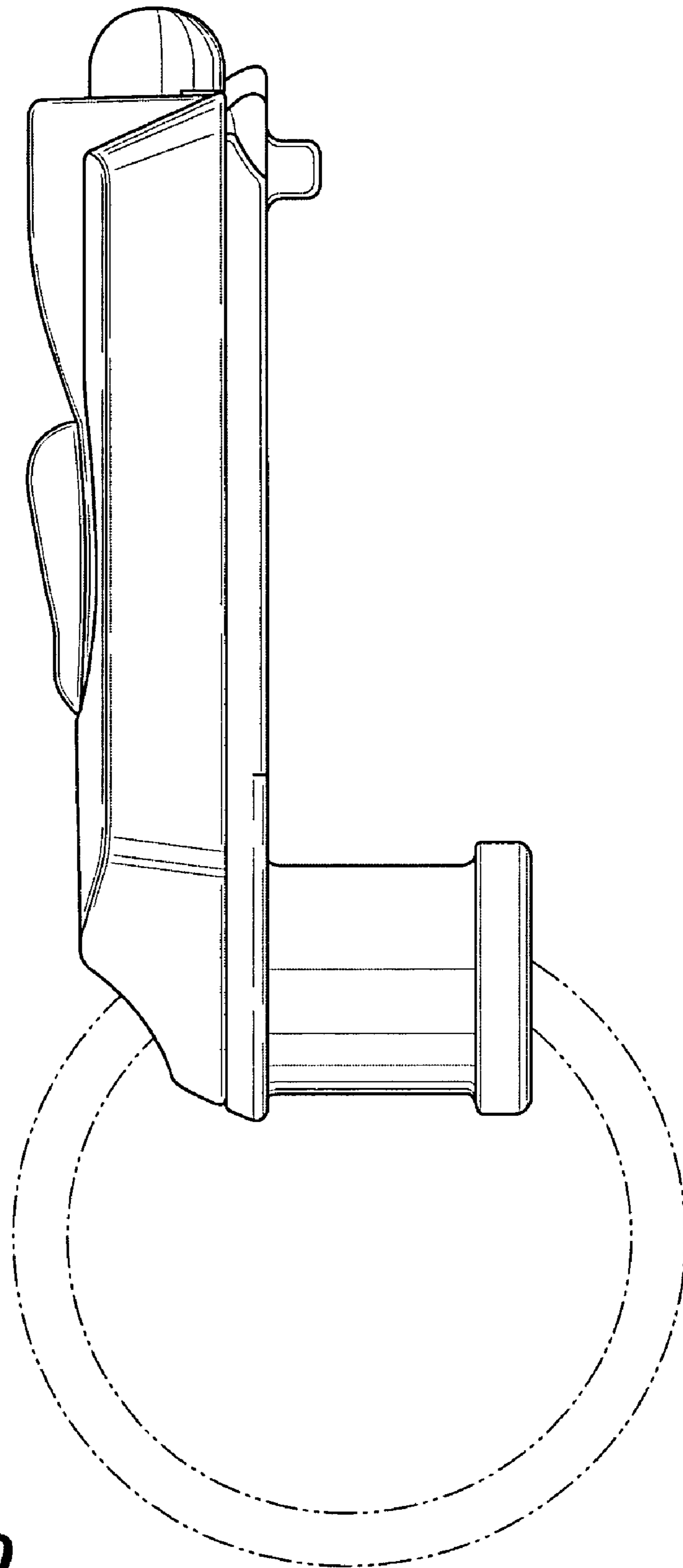


**Fig. 8**

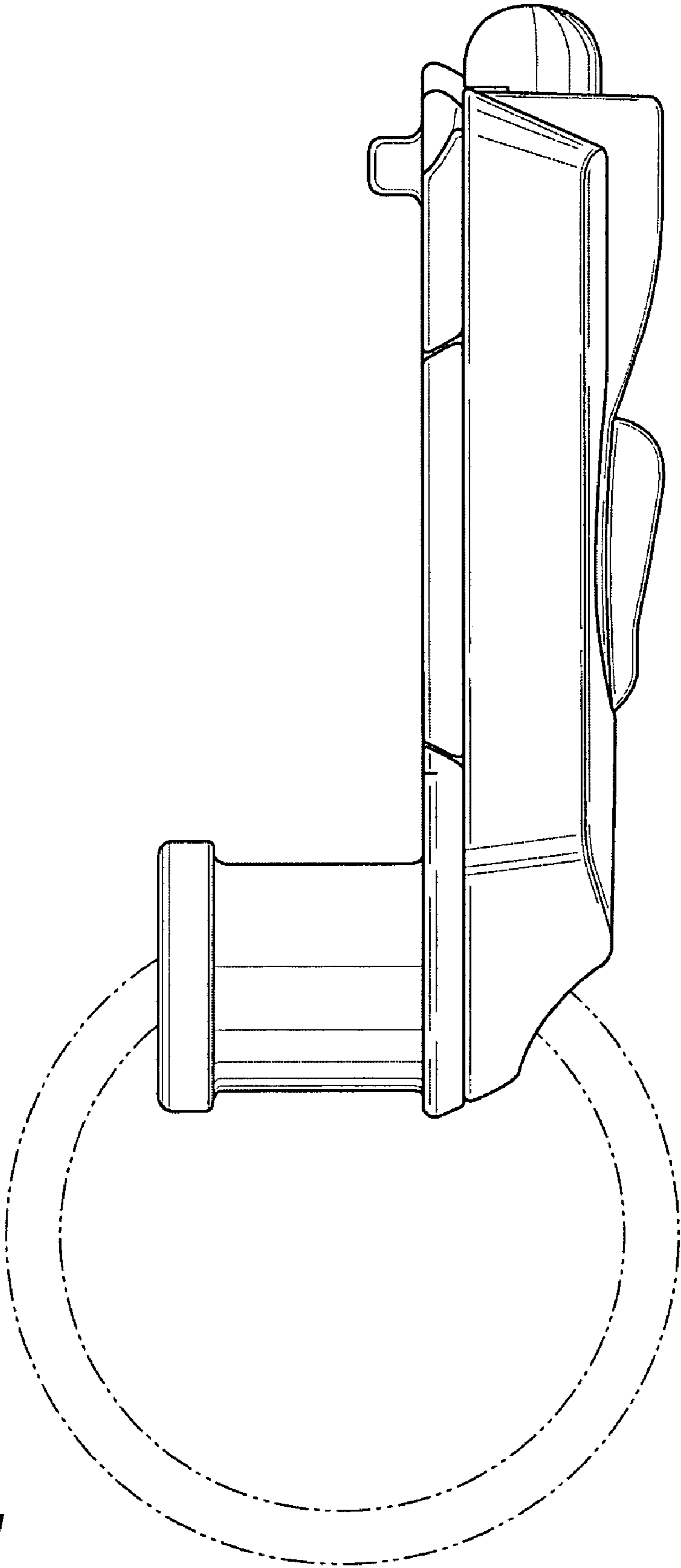




**Fig. 9**



**Fig. 10**



**Fig. 11**