



US00D593690S

(12) **United States Design Patent**
Habib

(10) **Patent No.:** **US D593,690 S**

(45) **Date of Patent:** **** Jun. 2, 2009**

(54) **TAILLIGHT FOR A VEHICLE**

D565,211 S * 3/2008 Haller et al. D26/28

(75) Inventor: **Karim Habib**, Munich (DE)

* cited by examiner

(73) Assignee: **Bayerische Motoren Werke Aktiengesellschaft**, Munich (DE)

Primary Examiner—Marcus A. Jackson

(74) *Attorney, Agent, or Firm*—Crowell & Moring LLP

(**) Term: **14 Years**

(57) **CLAIM**

(21) Appl. No.: **29/309,353**

The ornamental design for a taillight for a vehicle, as shown and described.

(22) Filed: **Jul. 29, 2008**

DESCRIPTION

(30) **Foreign Application Priority Data**

Feb. 15, 2008 (DE) 402008000858

(51) **LOC (9) Cl.** **26-06**

(52) **U.S. Cl.** **D26/28**

(58) **Field of Classification Search** D26/28–36;
362/459–468, 475–478, 485–487

See application file for complete search history.

FIG. 1 is a left perspective view of a first embodiment of a taillight for a vehicle according to my novel design;

FIG. 2 is a right, elevated perspective view thereof;

FIG. 3 is a front view thereof;

FIG. 4 is a top view thereof; and

FIG. 5 is a left side view thereof.

FIG. 6 is a right perspective view of a second embodiment of the taillight for a vehicle according to my novel design;

FIG. 7 is a left, elevated perspective view thereof;

FIG. 8 is a front view thereof;

FIG. 9 is a top view thereof; and,

FIG. 10 is a right side view thereof.

The broken lines are for illustrative purposes only and form no part of the claimed design.

(56) **References Cited**

U.S. PATENT DOCUMENTS

D549,363 S * 8/2007 Pfeiffer D26/28

D549,858 S * 8/2007 Pfeiffer D26/28

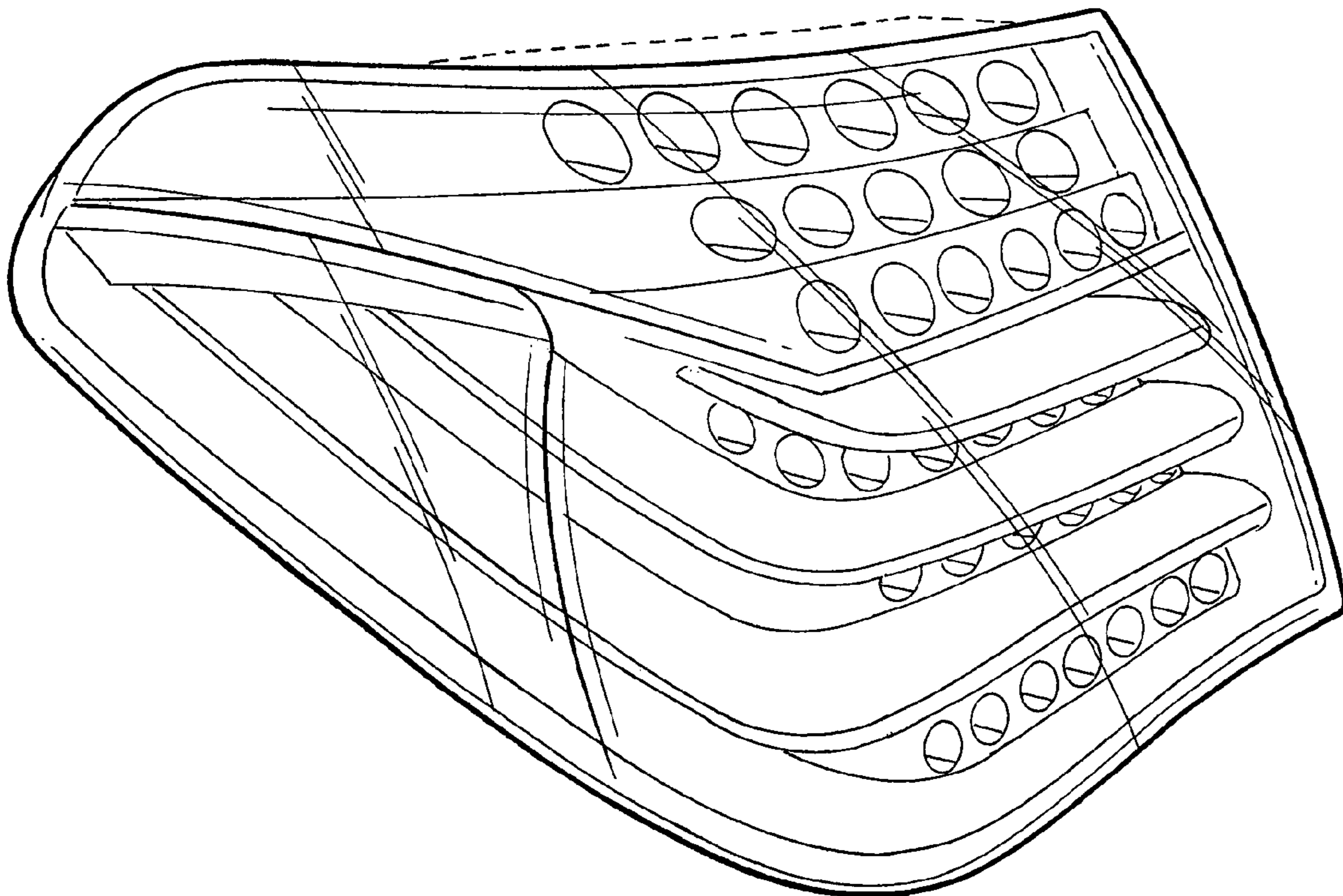
D550,380 S * 9/2007 Lin et al. D26/28

D552,769 S * 10/2007 Leclercq D26/28

D553,268 S * 10/2007 Pfeiffer D26/28

D553,269 S * 10/2007 Pfeiffer et al. D26/28

1 Claim, 8 Drawing Sheets



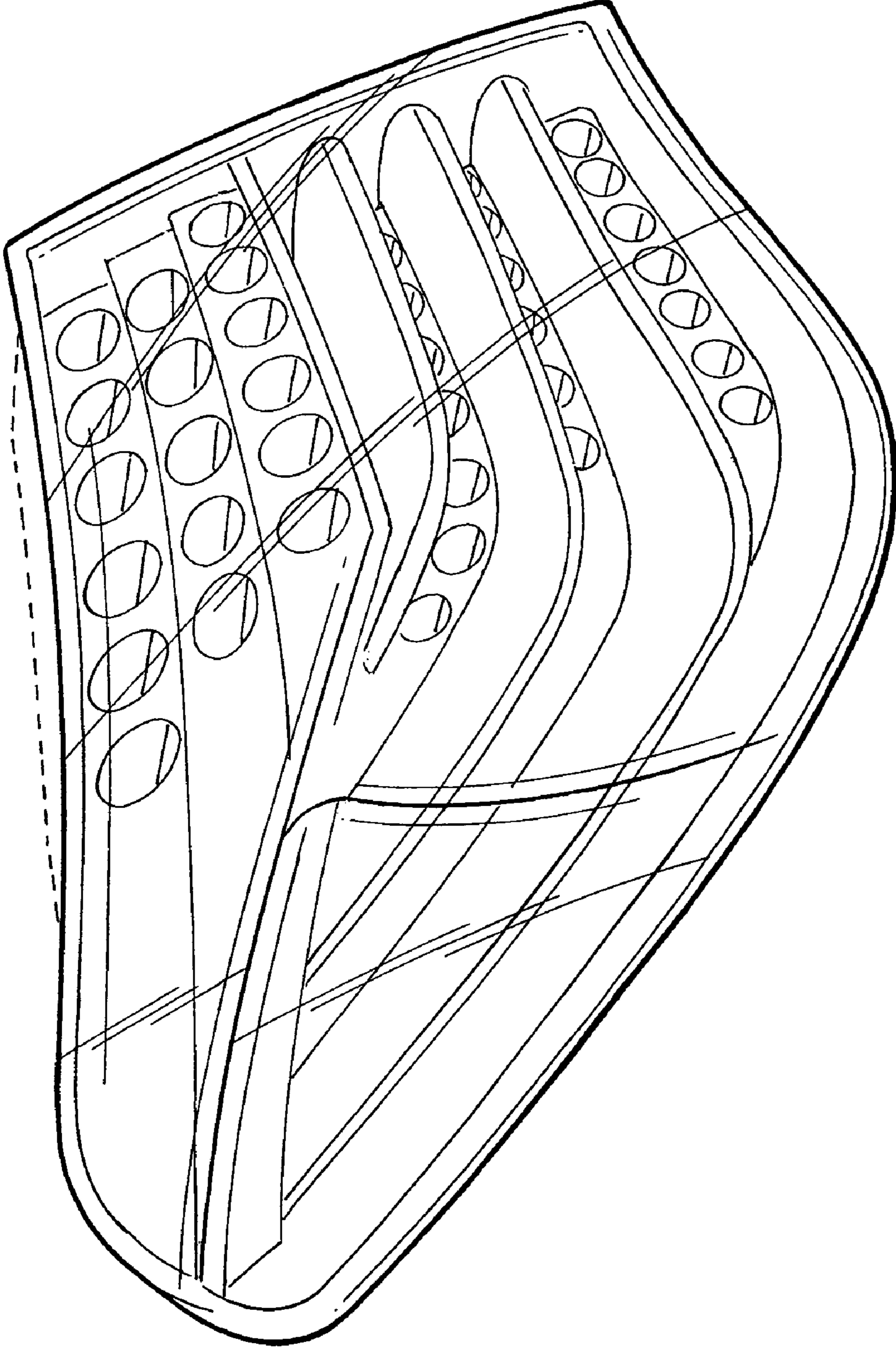


FIG. 1

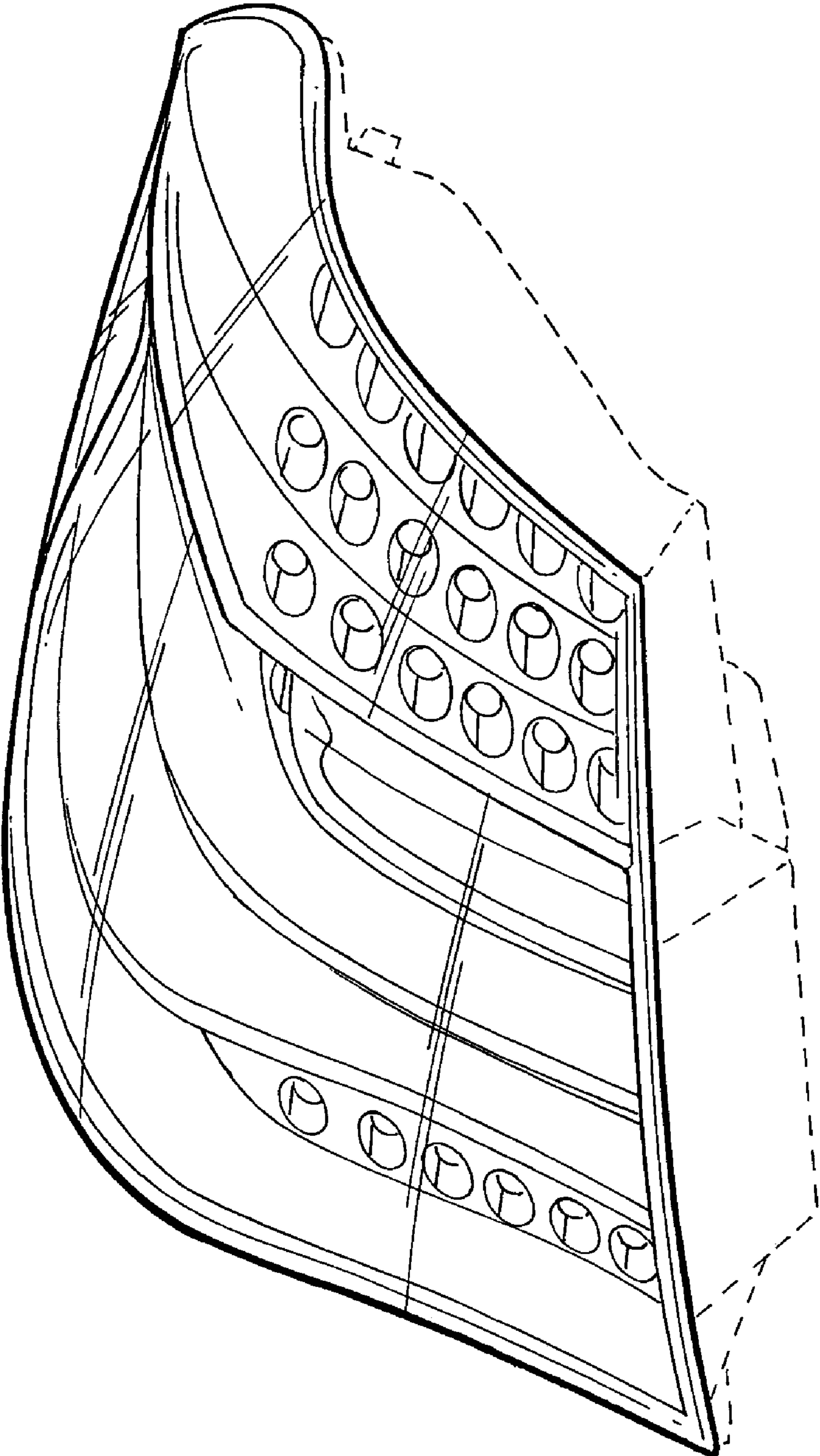


FIG. 2

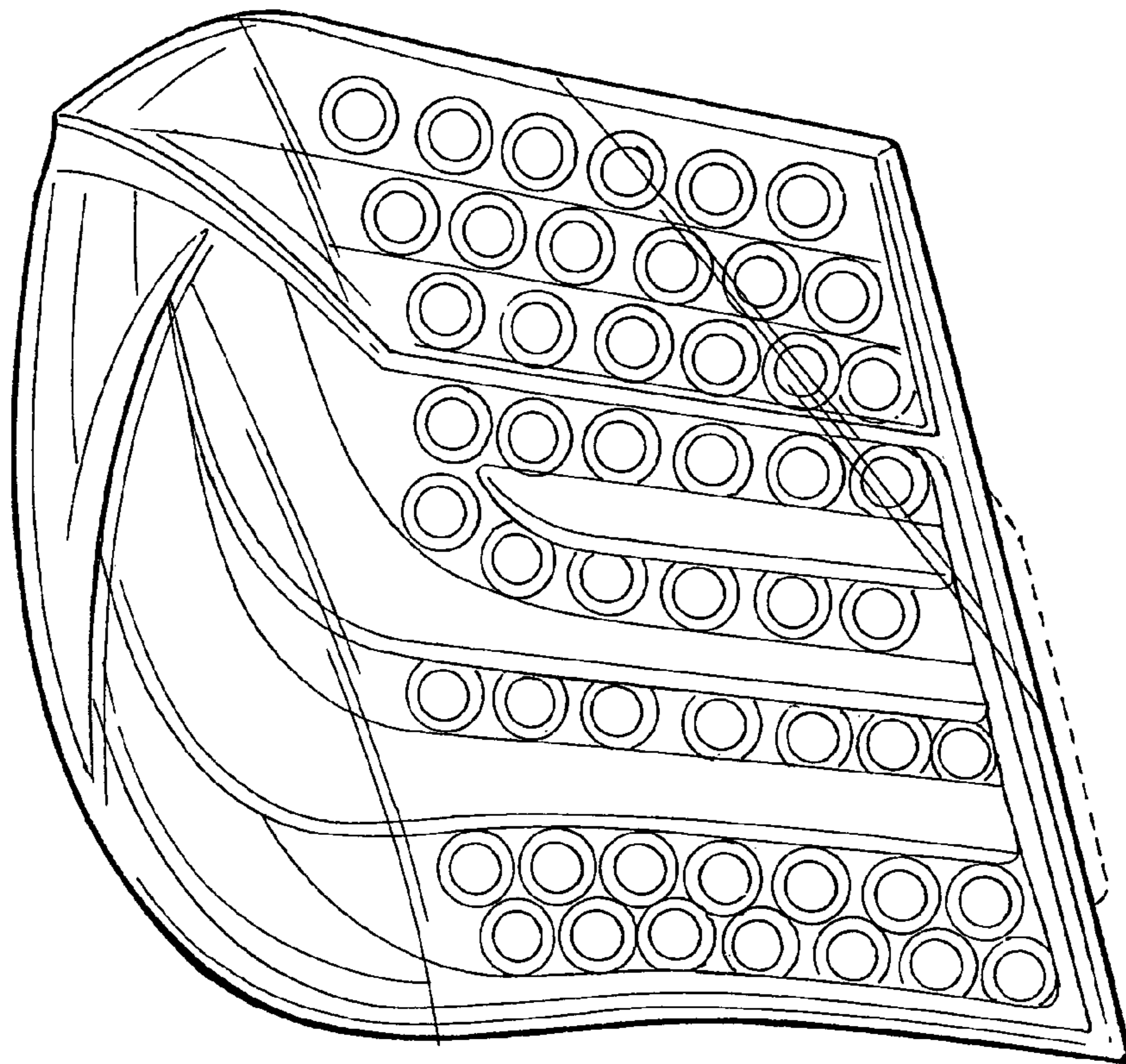


FIG. 3

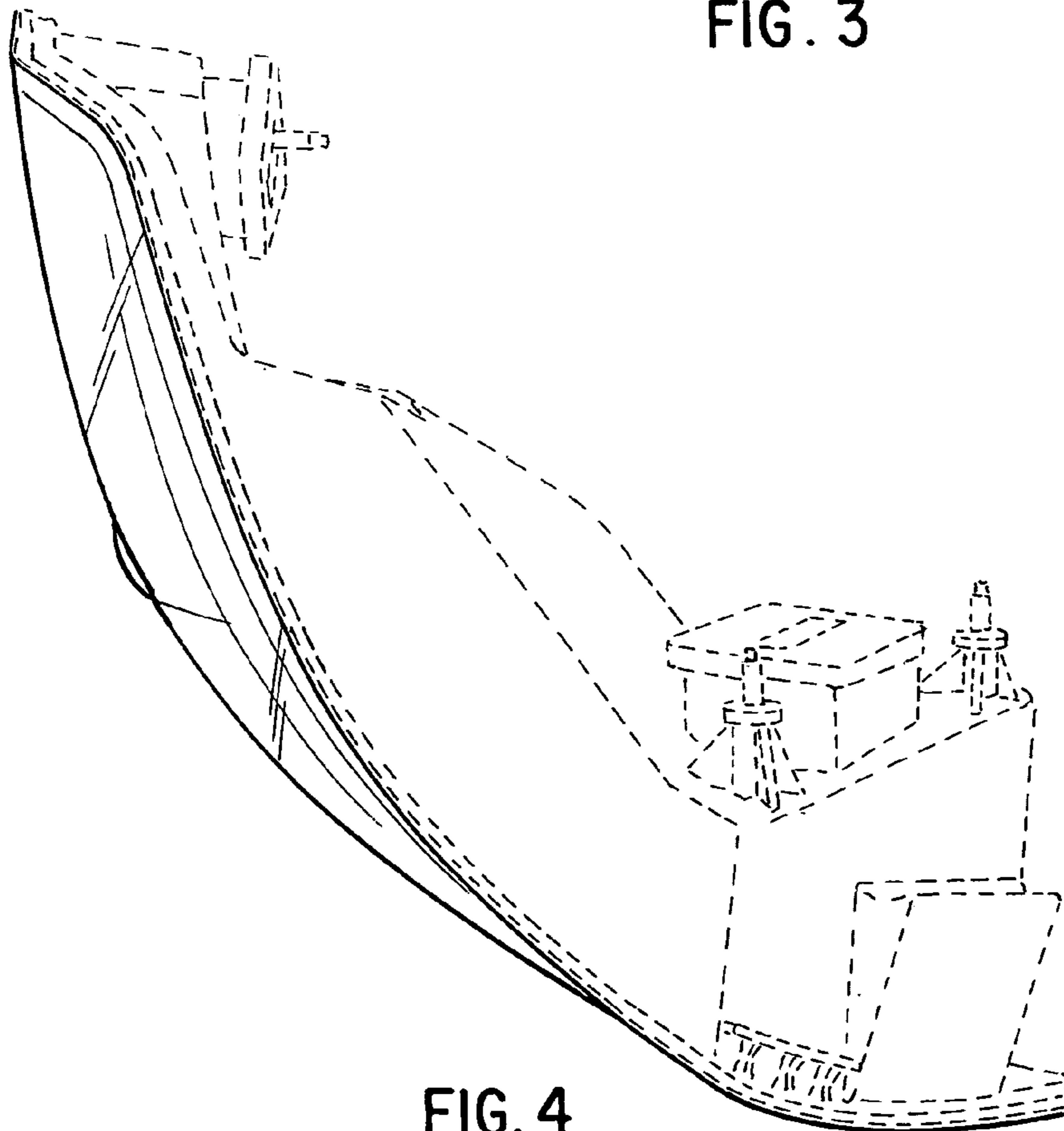


FIG. 4

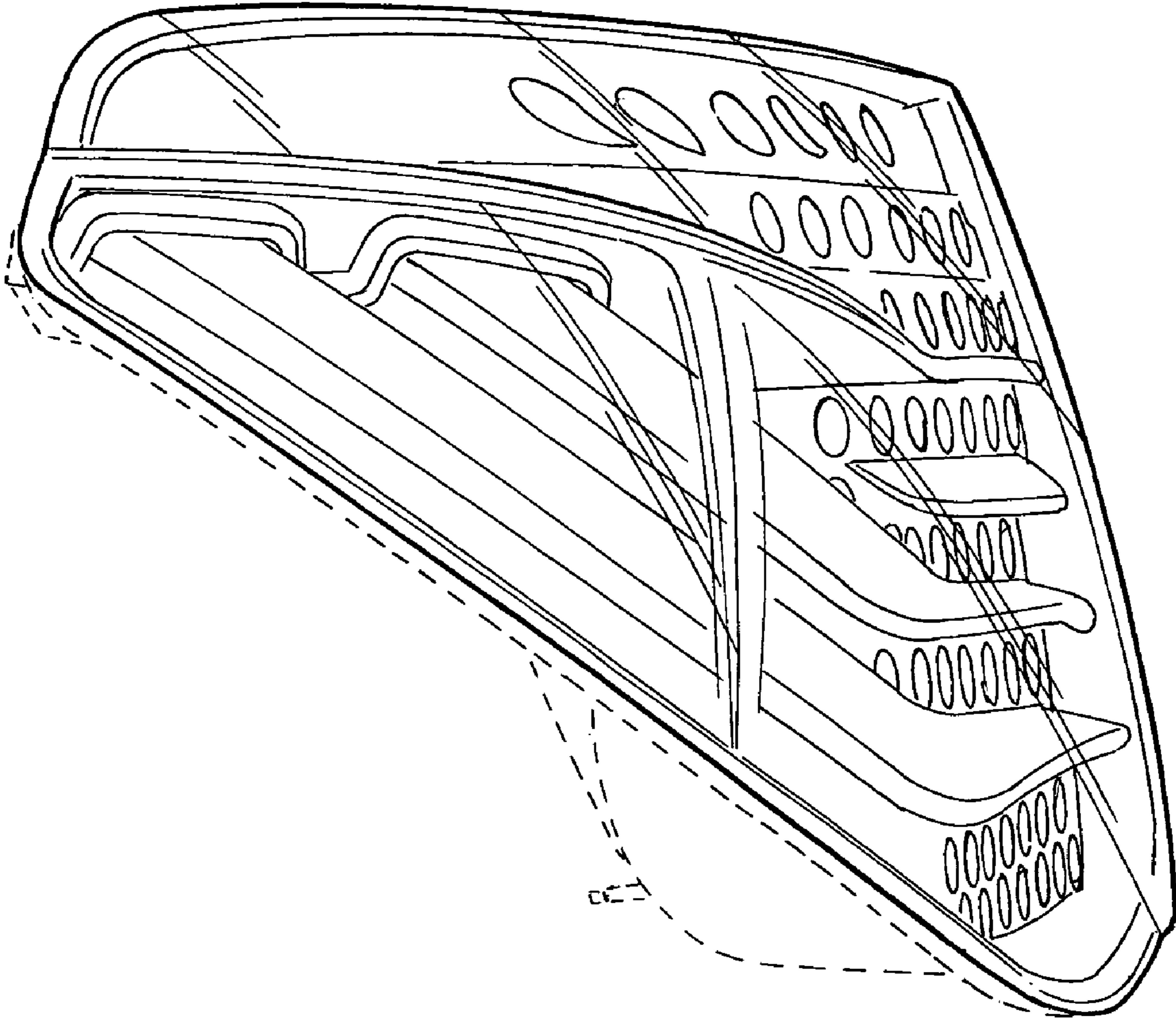


FIG. 5

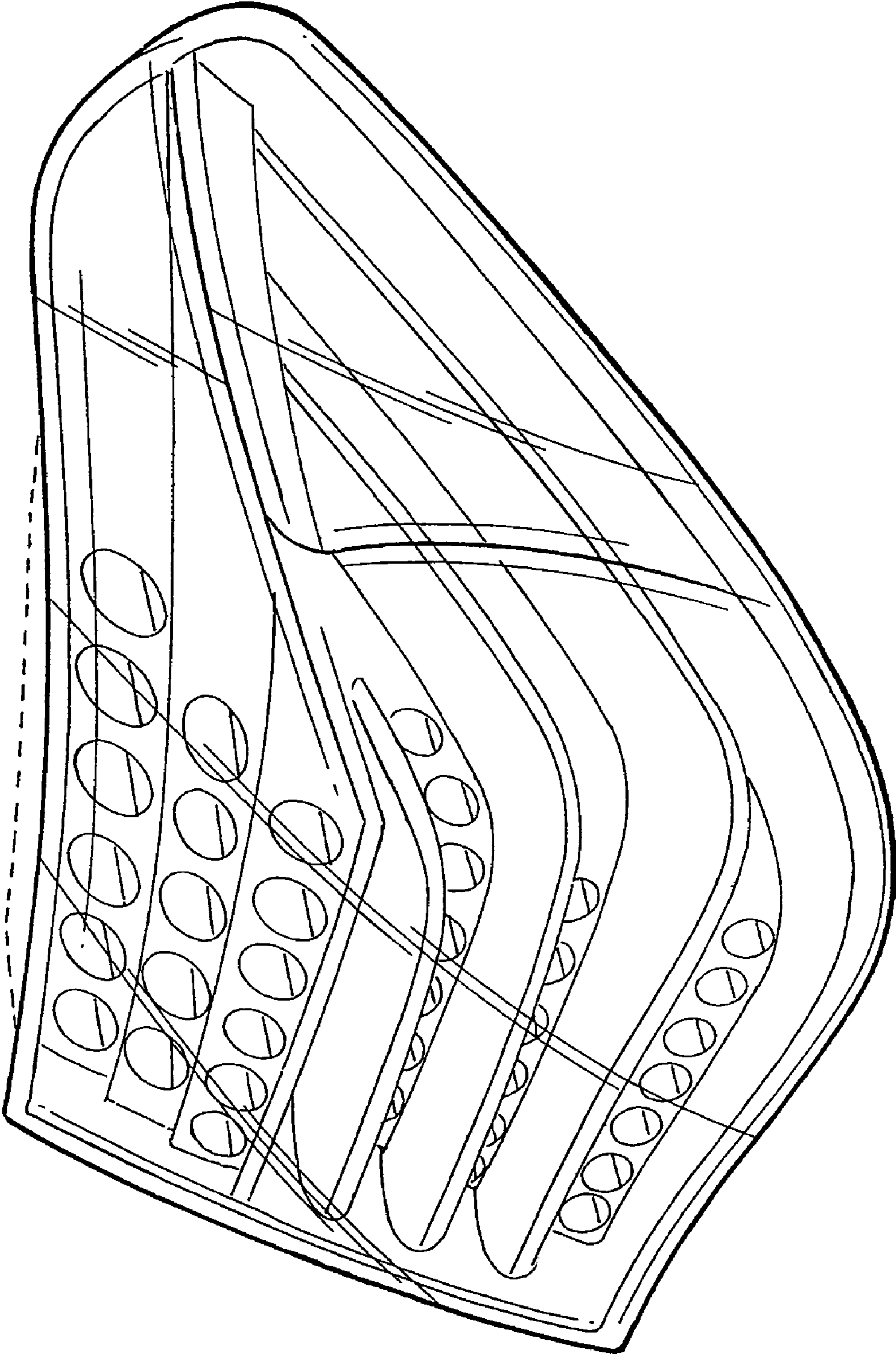


FIG. 6

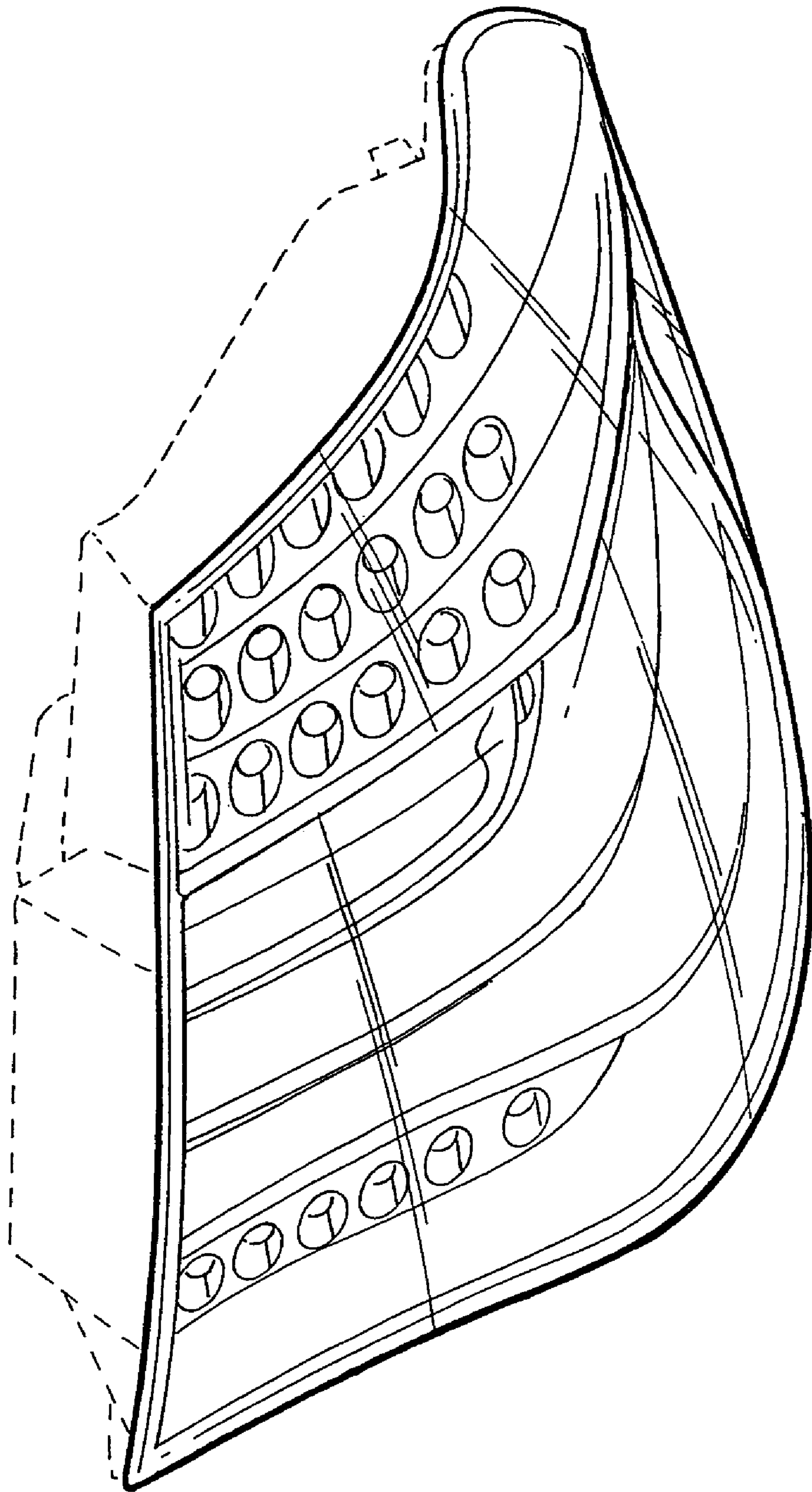


FIG. 7

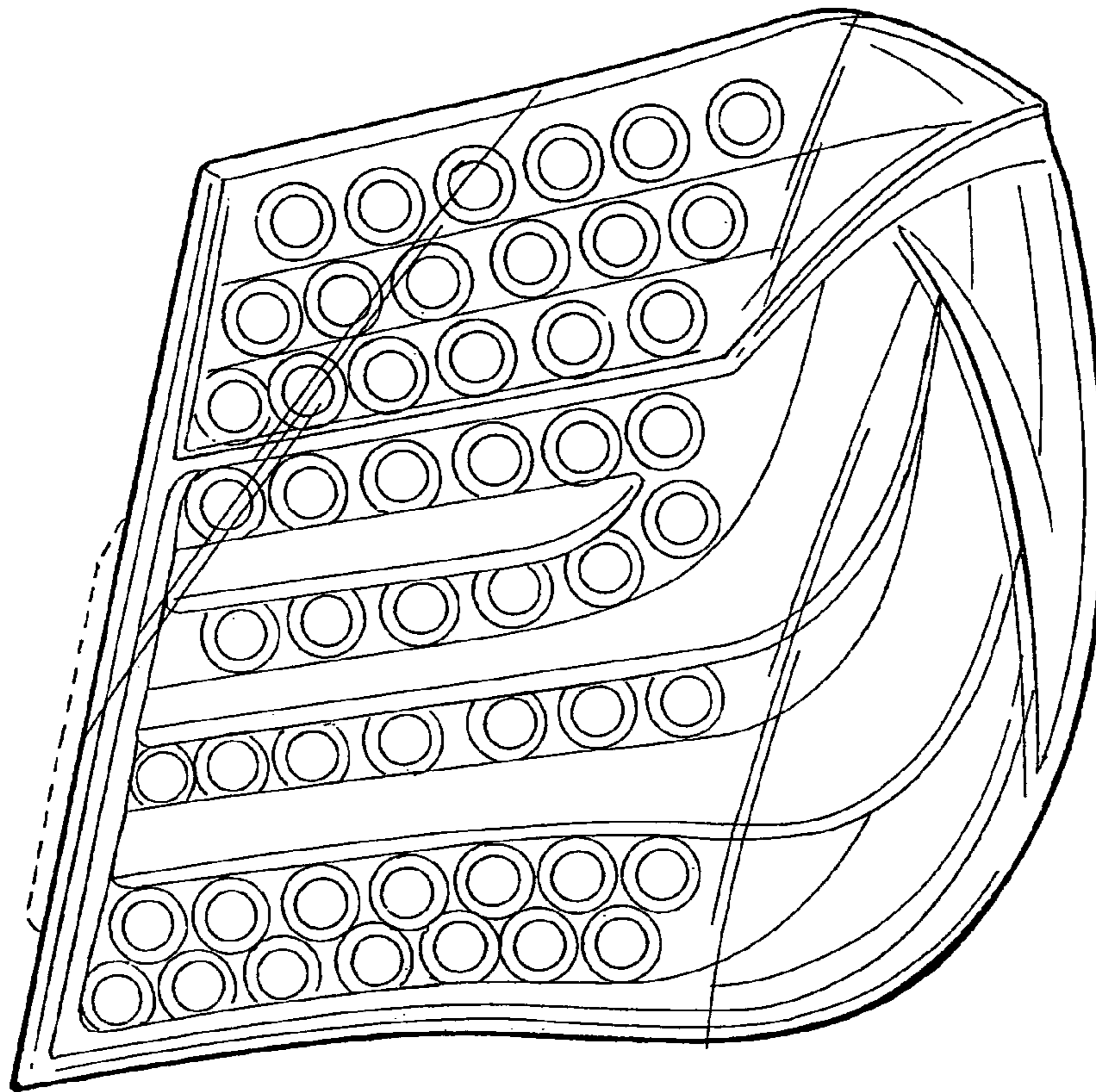


FIG. 8

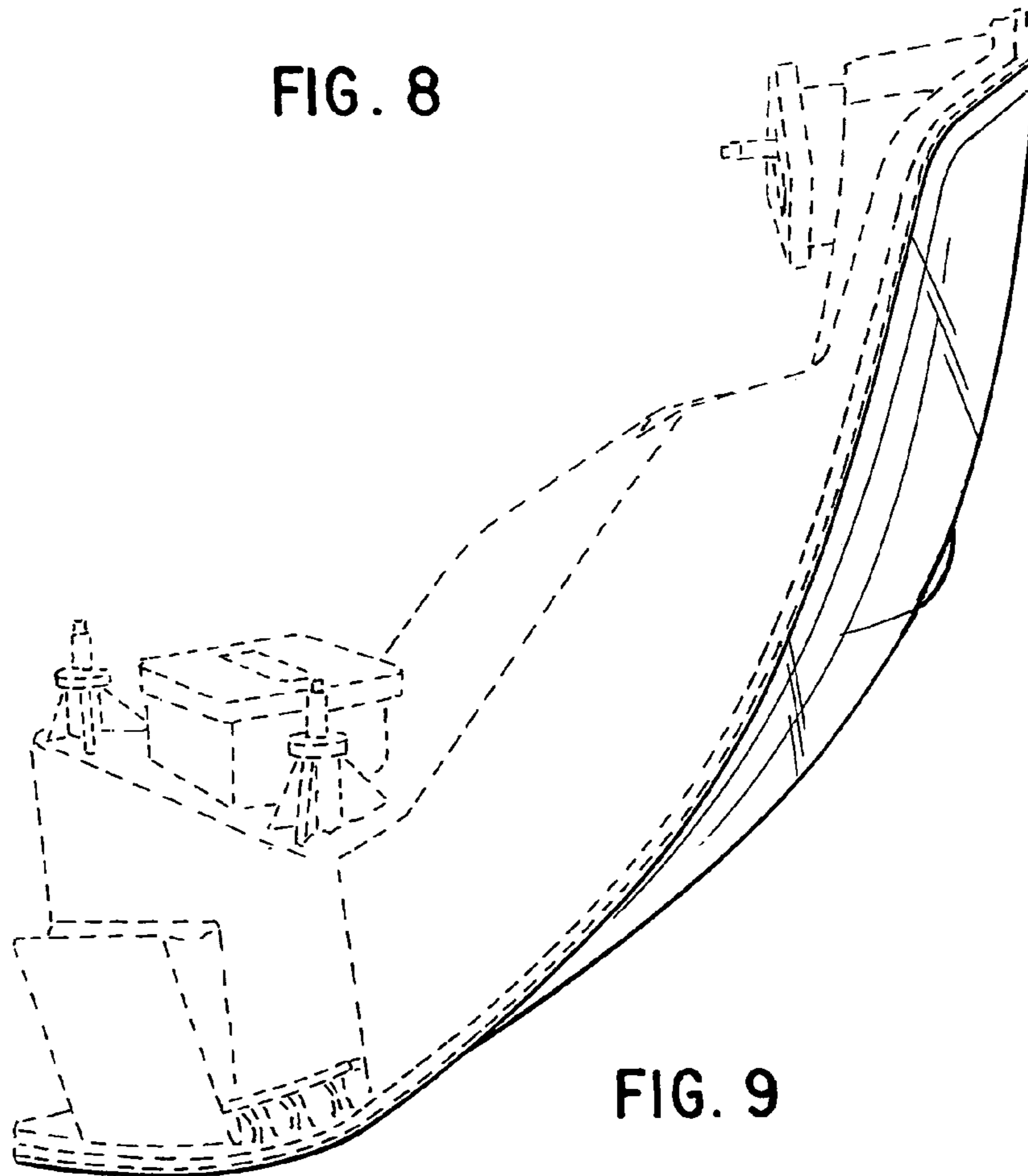


FIG. 9

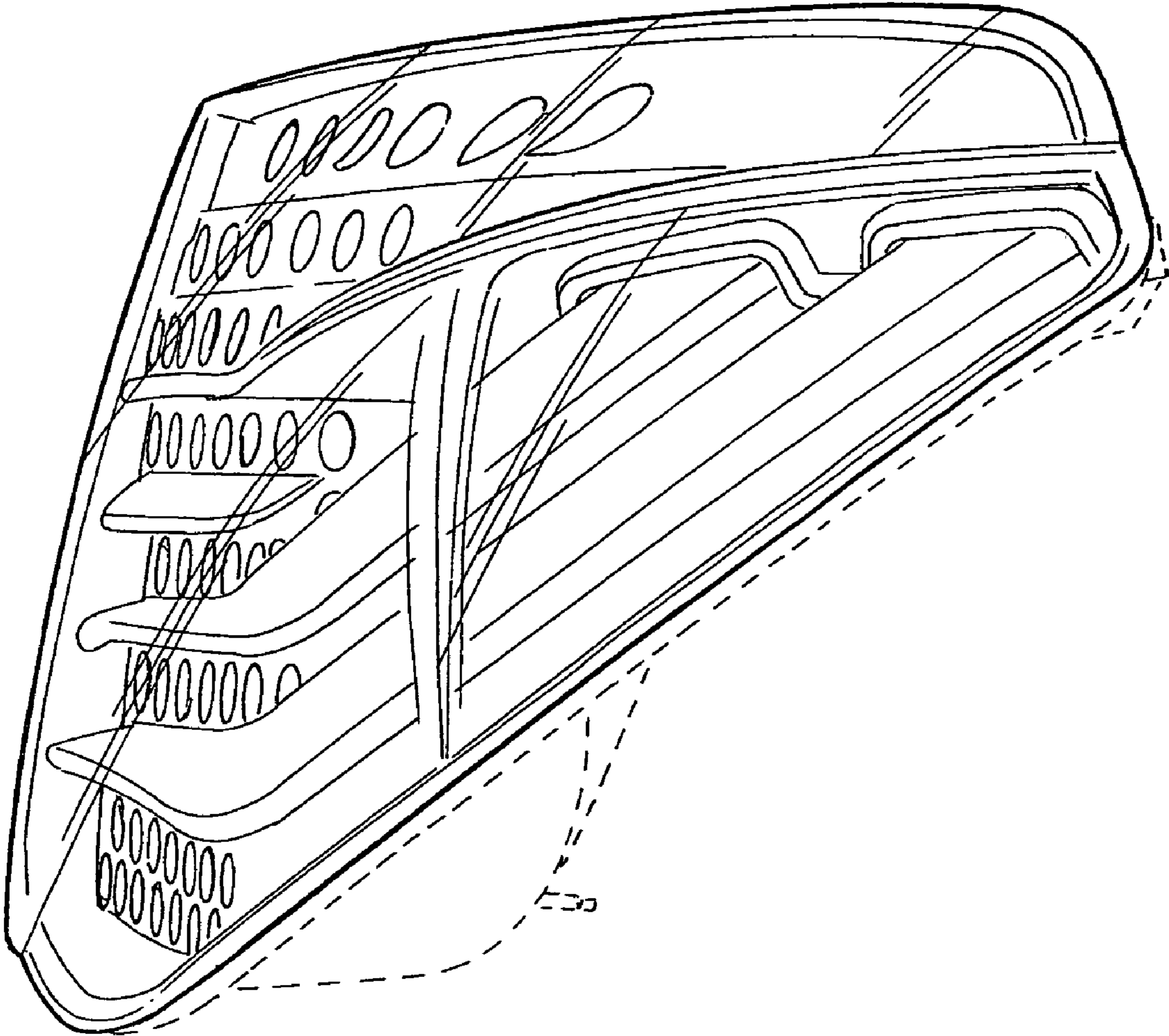


FIG. 10