

US00D593688S

(12) **United States Design Patent**
Foo

(10) **Patent No.:** **US D593,688 S**

(45) **Date of Patent:** **** Jun. 2, 2009**

(54) **FLUORESCENT TUBE**

D581,558 S * 11/2008 Foo D26/3

(75) Inventor: **Onn Fah Foo**, Hong Kong (CN)

* cited by examiner

(73) Assignee: **Mass Technology (H.K.) Ltd.**, Kowloon (HK)

Primary Examiner—Marcus A. Jackson

(74) *Attorney, Agent, or Firm*—Rabin & Berdo, P.C.

(**) Term: **14 Years**

(57) **CLAIM**

(21) Appl. No.: **29/326,759**

The ornamental design for a fluorescent tube, as shown and described.

(22) Filed: **Oct. 24, 2008**

DESCRIPTION

(51) **LOC (9) Cl.** **26-04**

FIG. 1 is a perspective view of a fluorescent tube showing my new design;

(52) **U.S. Cl.** **D26/3**

FIG. 2 is a front view thereof;

(58) **Field of Classification Search** D26/1-4;
313/313, 315, 317, 318, 493; 315/52, 53,
315/56, 57, 58

FIG. 3 is a rear view thereof;

FIG. 4 is a left side view thereof;

See application file for complete search history.

FIG. 5 is a right side view thereof;

FIG. 6 is a top view thereof; and,

FIG. 7 is a bottom view thereof.

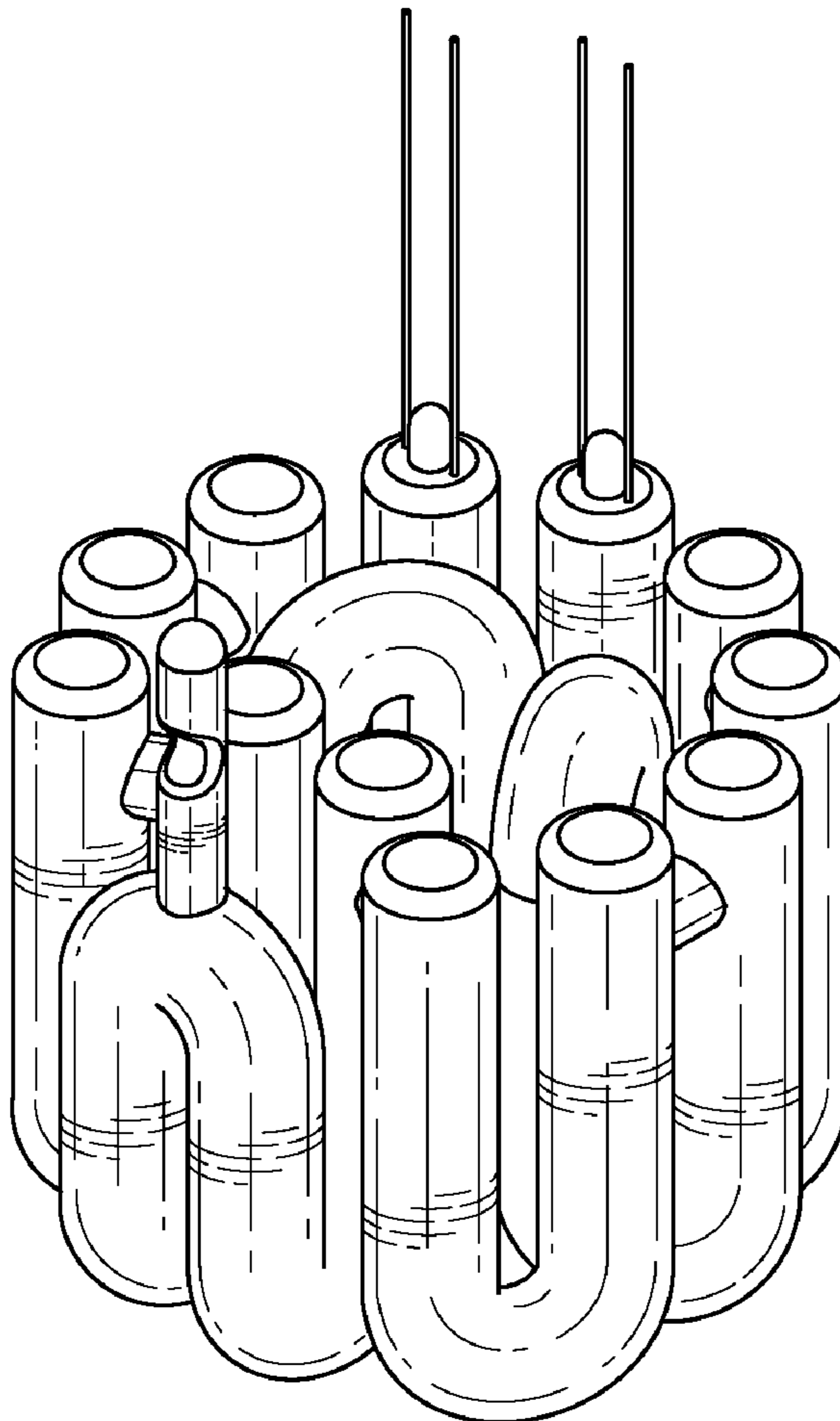
(56) **References Cited**

U.S. PATENT DOCUMENTS

D539,444 S * 3/2007 He D26/3

D550,866 S * 9/2007 Foo D26/3

1 Claim, 4 Drawing Sheets



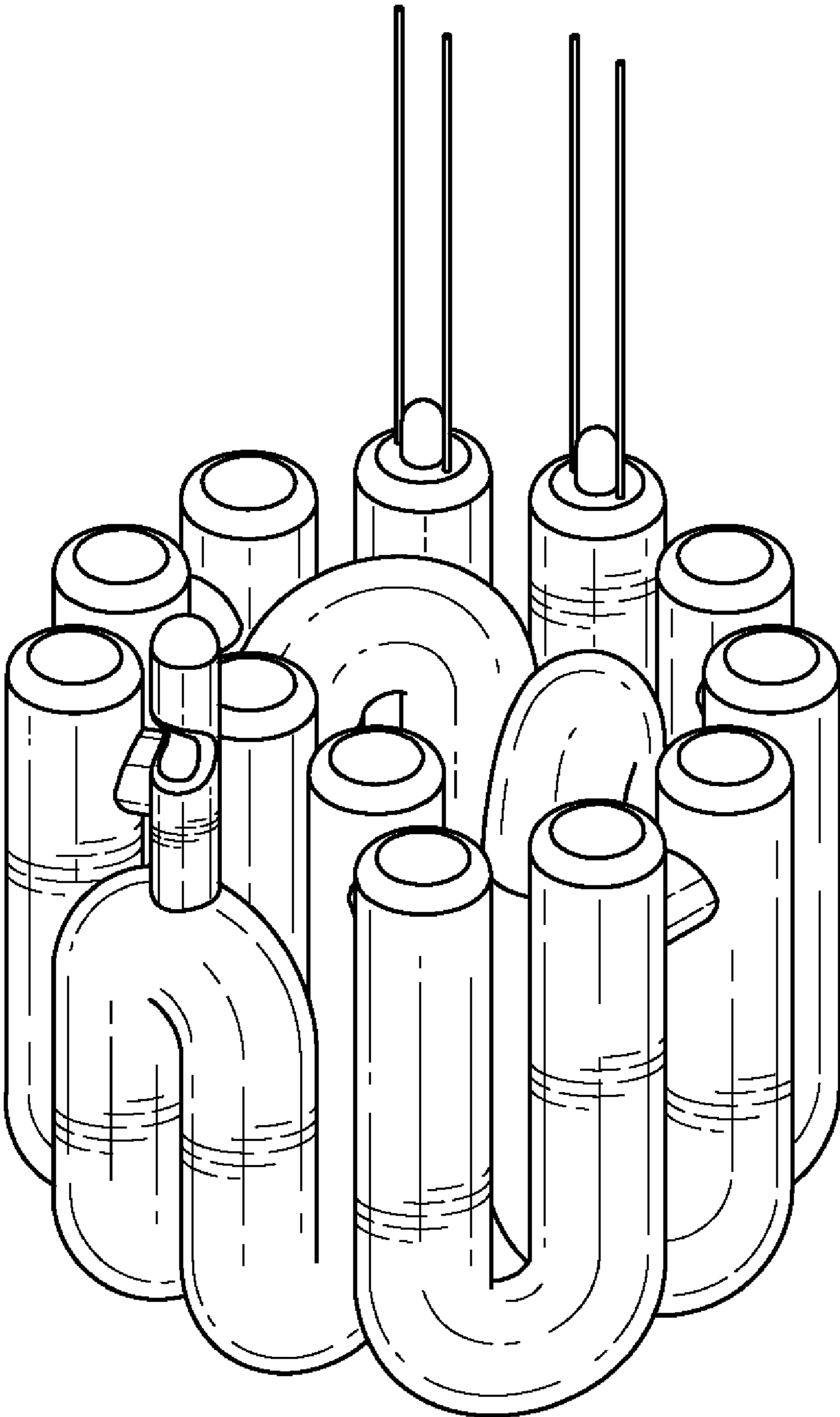


Fig. 1

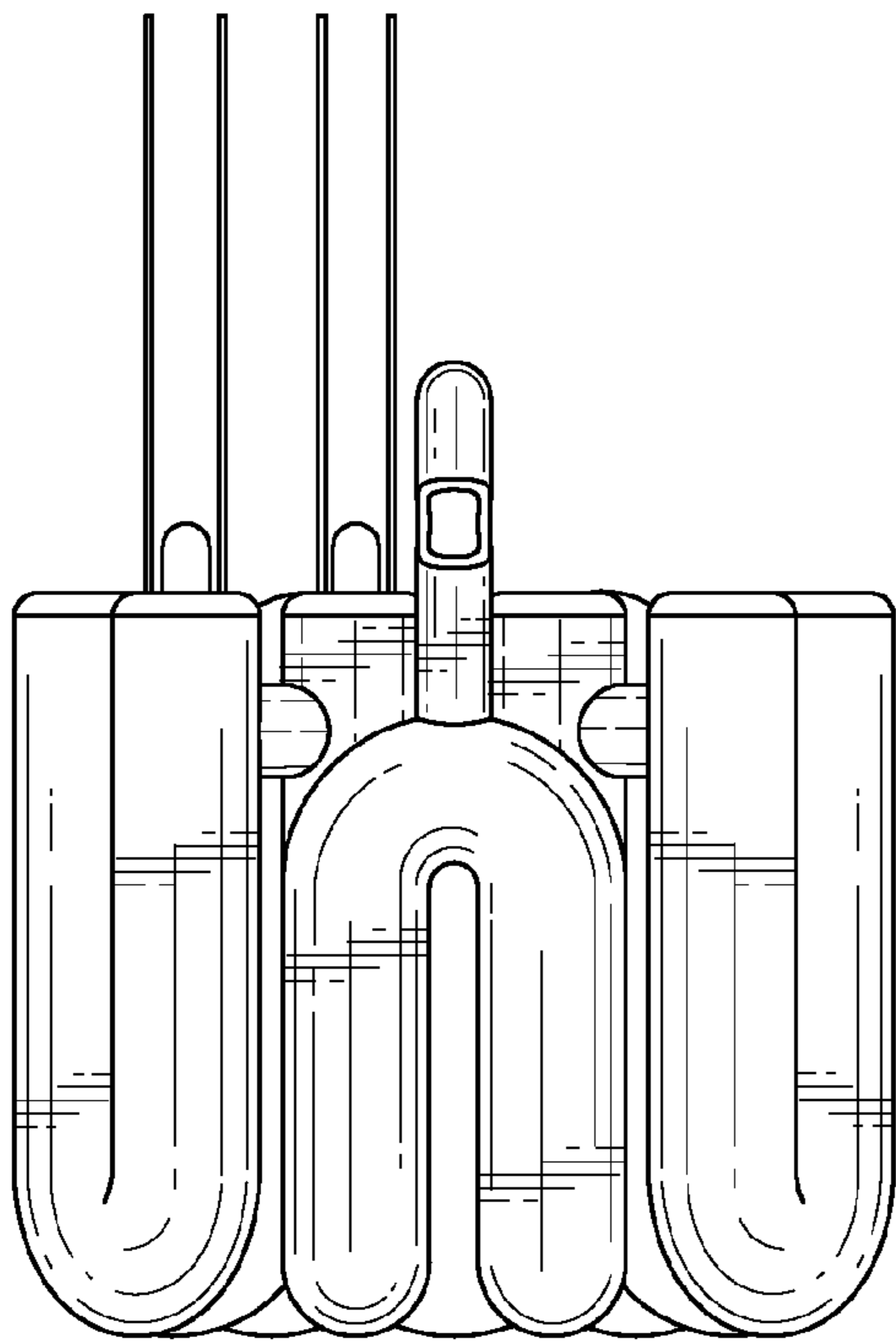


Fig. 2

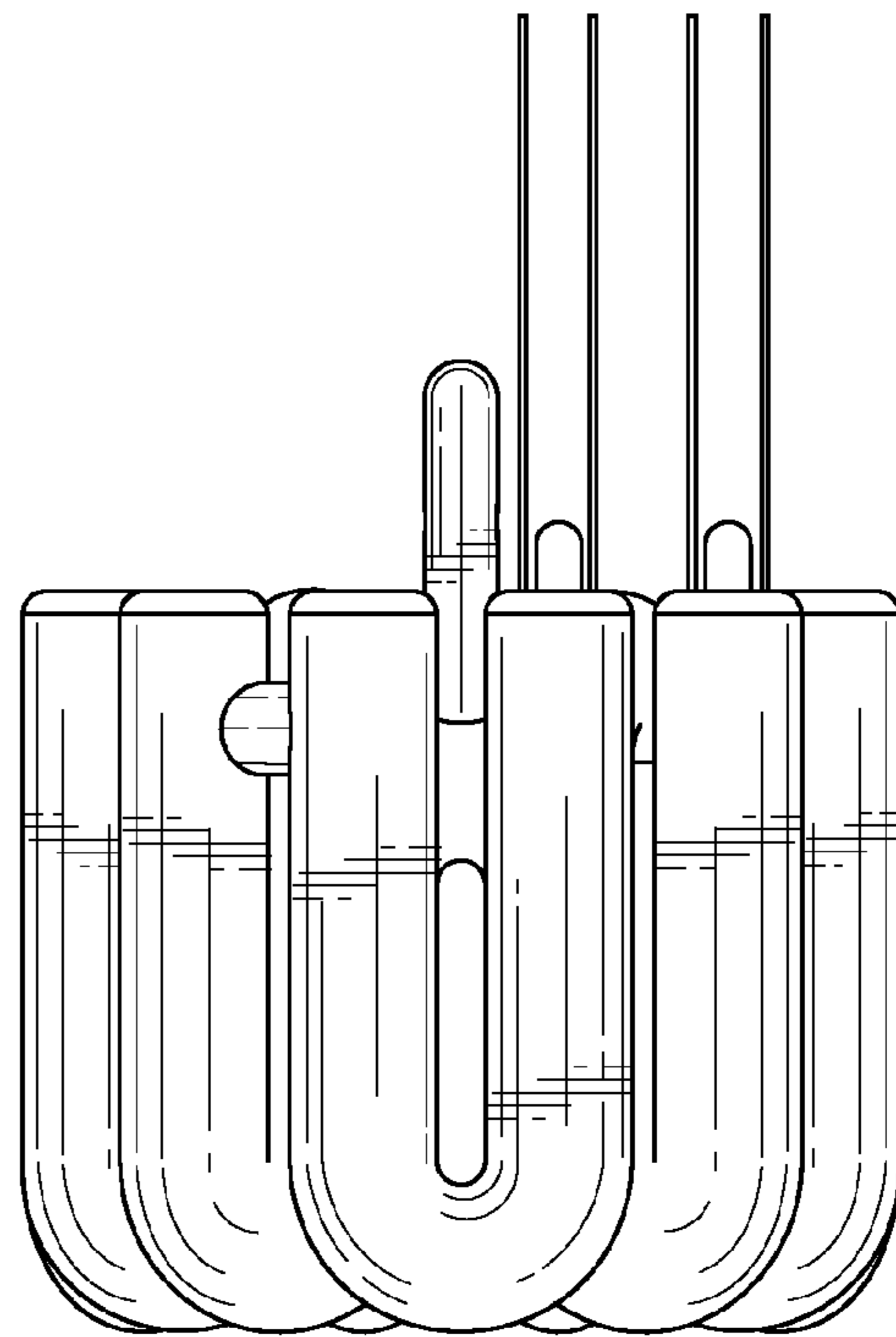


Fig. 3

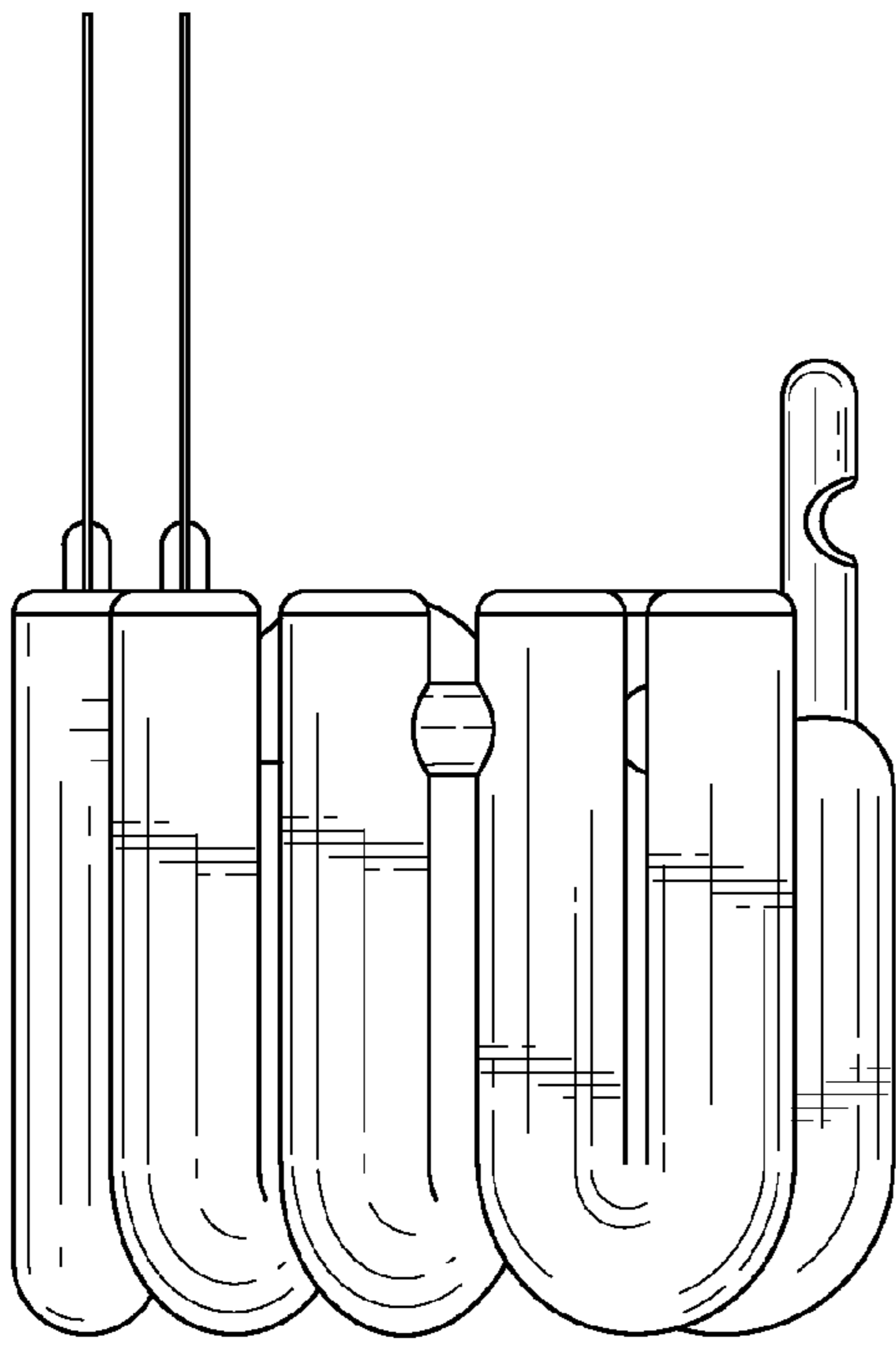


Fig. 4

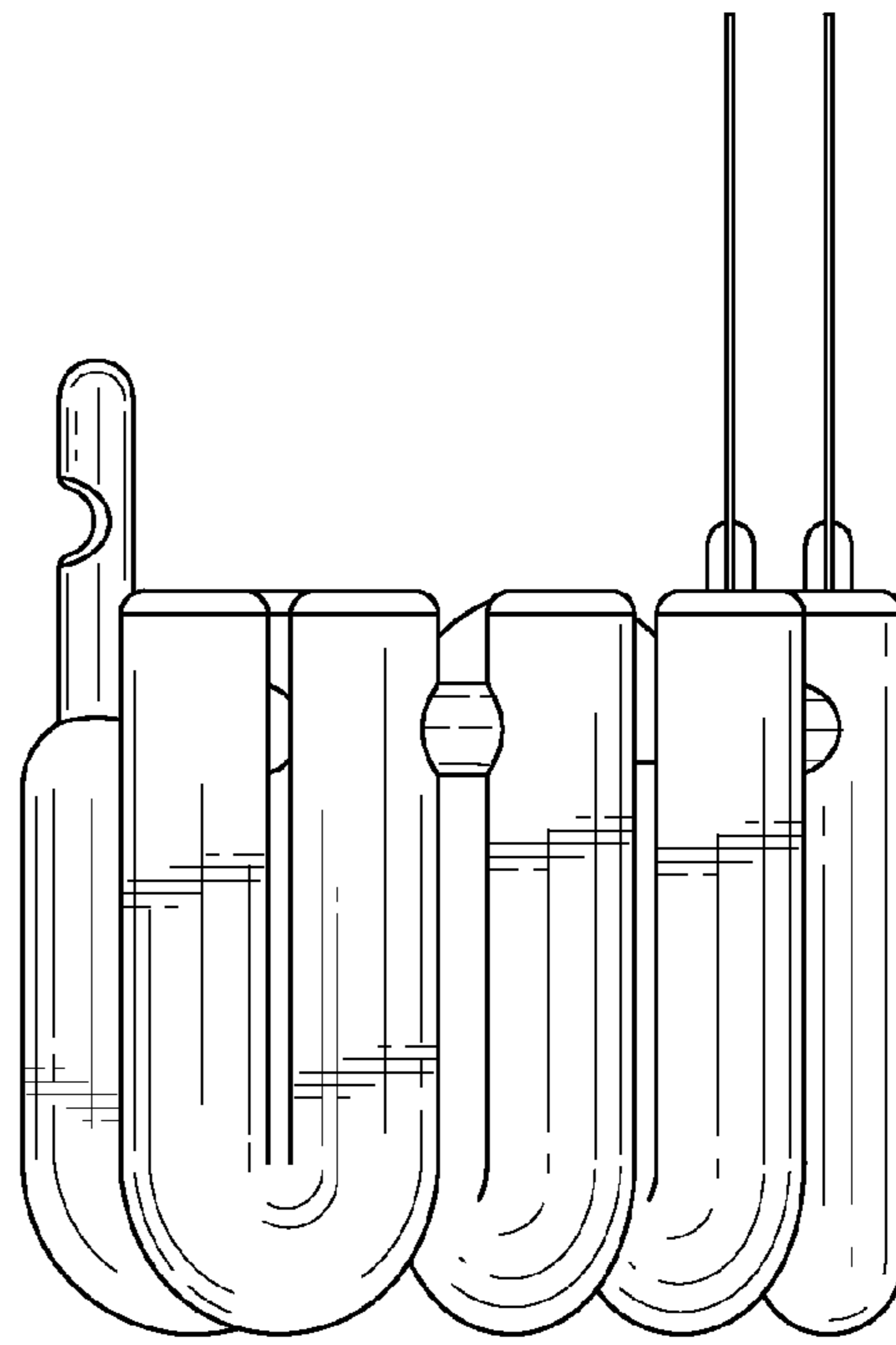


Fig. 5

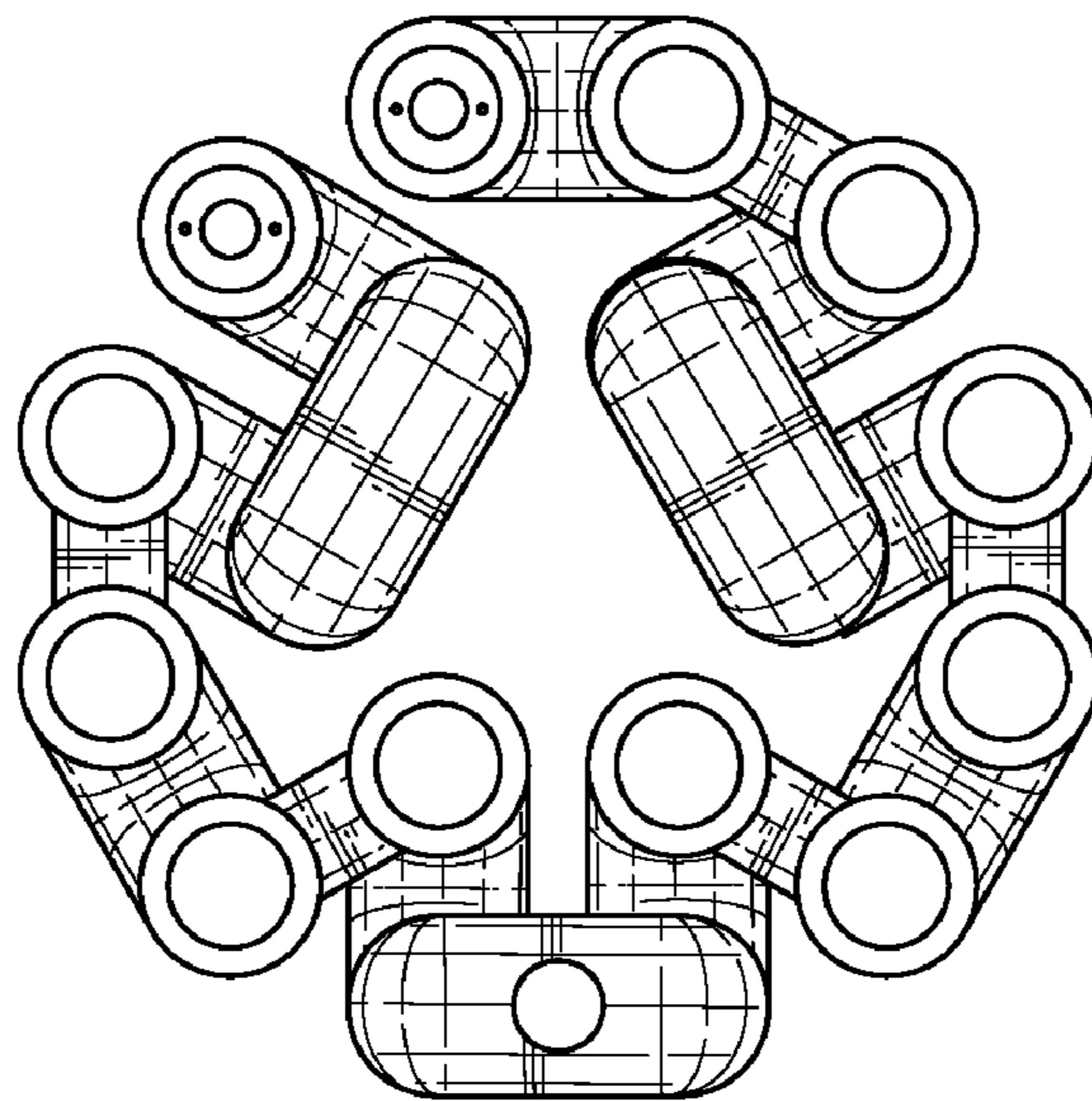


Fig. 6

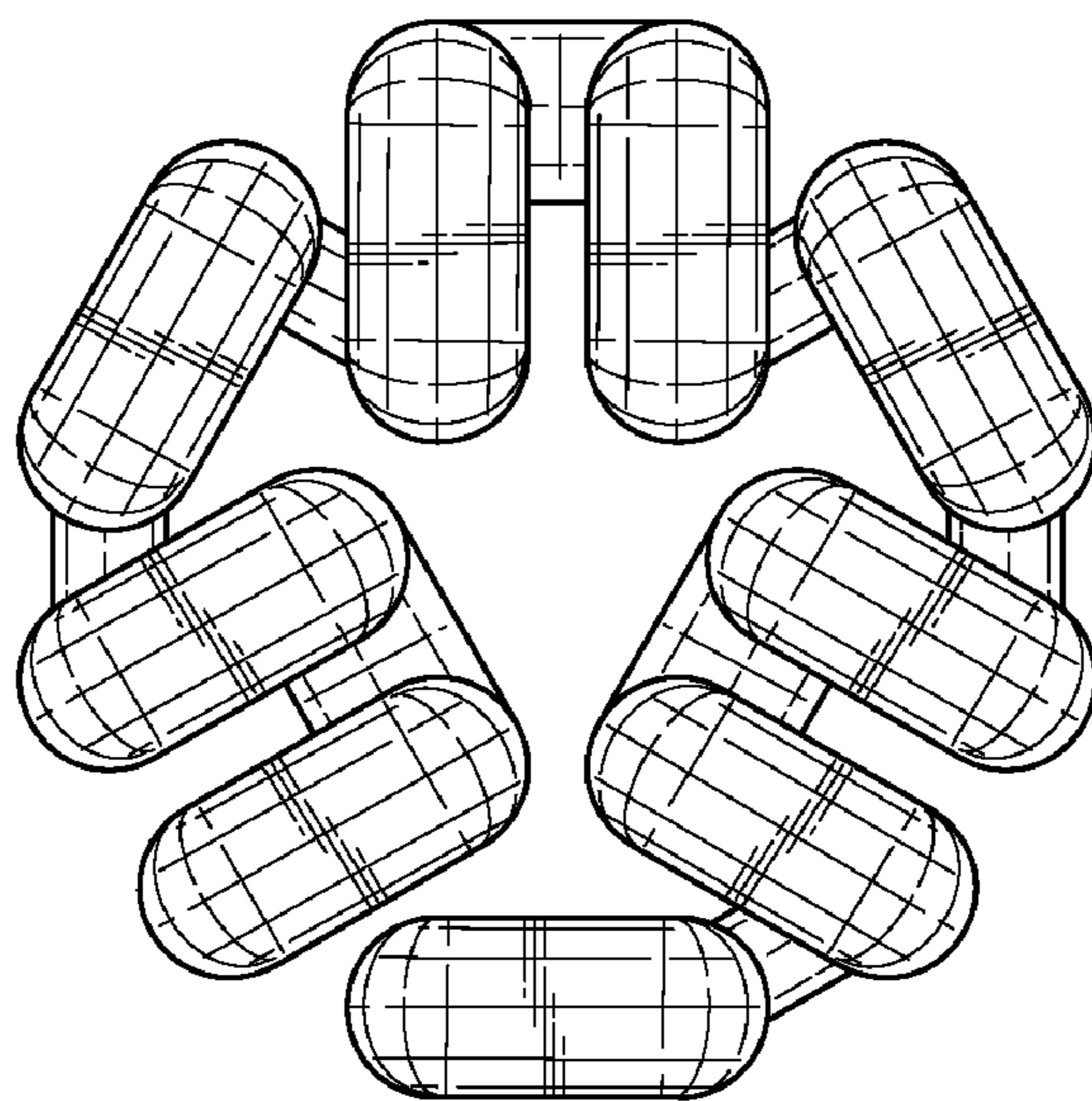


Fig. 7