



US00D593683S

(12) **United States Design Patent**
Paugas

(10) **Patent No.:** **US D593,683 S**

(45) **Date of Patent:** **** Jun. 2, 2009**

(54) **BABY PACIFIER**

(76) Inventor: **Brian J. Paugas**, 16 Pineview Dr.,
Vernon, CT (US) 06066

(**) Term: **14 Years**

(21) Appl. No.: **29/292,569**

(22) Filed: **Oct. 16, 2007**

(51) **LOC (9) Cl.** **24-04**

(52) **U.S. Cl.** **D24/195**

(58) **Field of Classification Search** D24/193–199;
D30/160; 606/234–236; 215/11.1–11.6;
128/200.24, 201.26, 202.13, 203.12, 897

See application file for complete search history.

(56) **References Cited**

U.S. PATENT DOCUMENTS

D160,454 S *	10/1950	Azov et al.	D24/195
2,860,639 A *	11/1958	Hoover	606/234
D296,471 S *	6/1988	Marriott	D24/195
D355,965 S *	2/1995	Harrison et al.	D24/195
D357,539 S *	4/1995	Harrison et al.	D24/195
D364,685 S *	11/1995	Christensen	D24/195
D371,201 S *	6/1996	Gipson et al.	D24/195
D382,967 S *	8/1997	Gardiner	D24/195
D387,868 S *	12/1997	Wilburn	D24/194
D415,568 S *	10/1999	Bernd	D24/195
D421,804 S *	3/2000	Gill	D24/195
D423,106 S *	4/2000	Arlie	D24/195
D424,204 S *	5/2000	Jewell et al.	D24/195

D436,667 S *	1/2001	Federspiel	D24/195
D441,084 S *	4/2001	Bower et al.	D24/195
D441,454 S *	5/2001	Bower et al.	D24/195
D445,902 S *	7/2001	Luehne-Porath	D24/194
D454,641 S *	3/2002	Collins et al.	D24/195
D470,943 S *	2/2003	Adams	D24/195
D520,640 S *	5/2006	Pils et al.	D24/194
D521,646 S *	5/2006	Mann	D24/195
D558,885 S *	1/2008	Trizzino	D24/194

* cited by examiner

Primary Examiner—Philip S Hyder

Assistant Examiner—Susan E Krakower

(74) *Attorney, Agent, or Firm*—Ira S. Dorman

(57) **CLAIM**

The ornamental design for a baby pacifier, as shown.

DESCRIPTION

FIG. 1 is perspective view of a baby pacifier embodying the present invention;

FIG. 2 is a rear view of the baby pacifier, drawn to a reduced scale;

FIG. 3 is a front view of the baby pacifier;

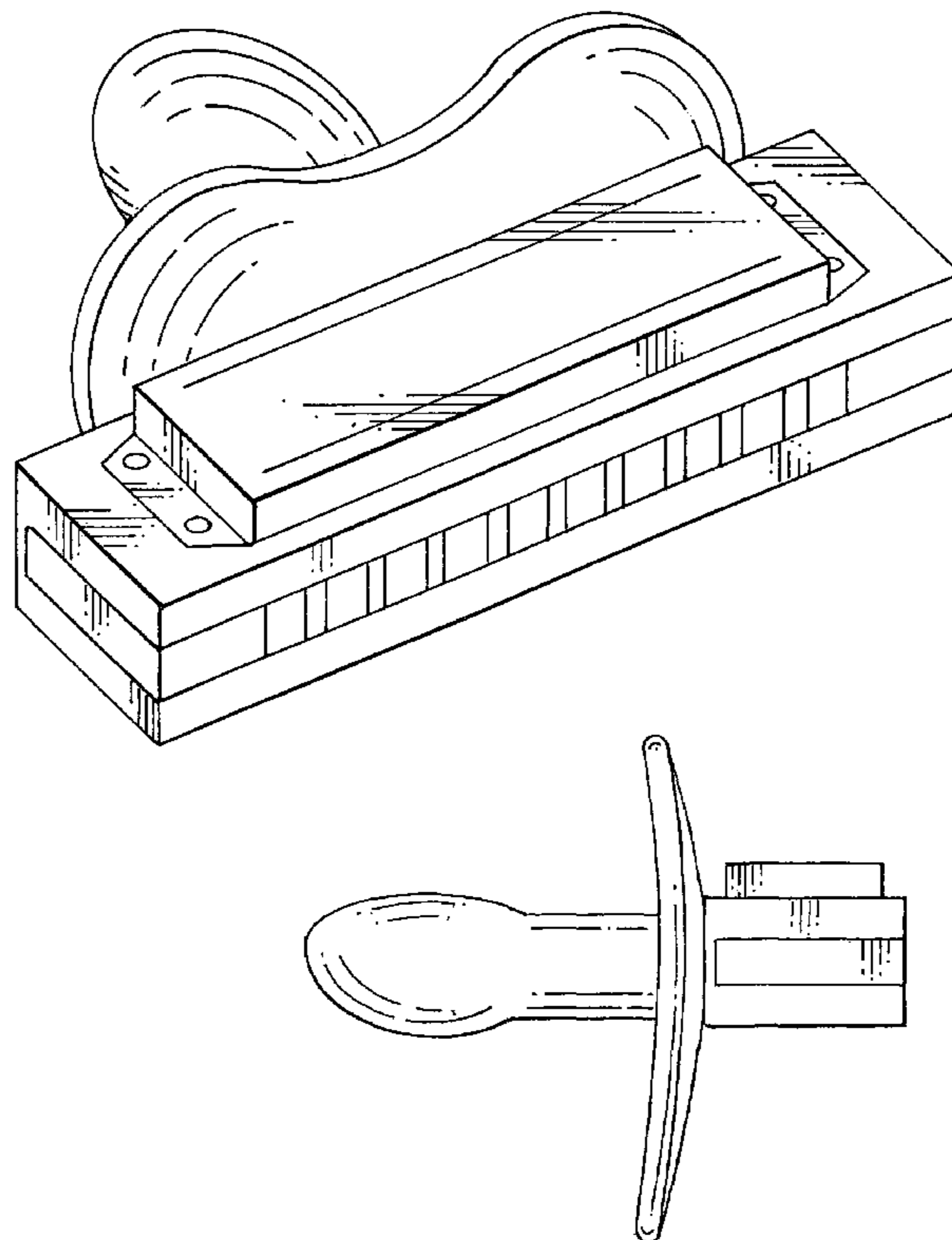
FIG. 4 is a left side view of the baby pacifier;

FIG. 5 is a right side view of the baby pacifier;

FIG. 6 is a top plan view of the baby pacifier; and,

FIG. 7 is a bottom view of the baby pacifier.

1 Claim, 3 Drawing Sheets



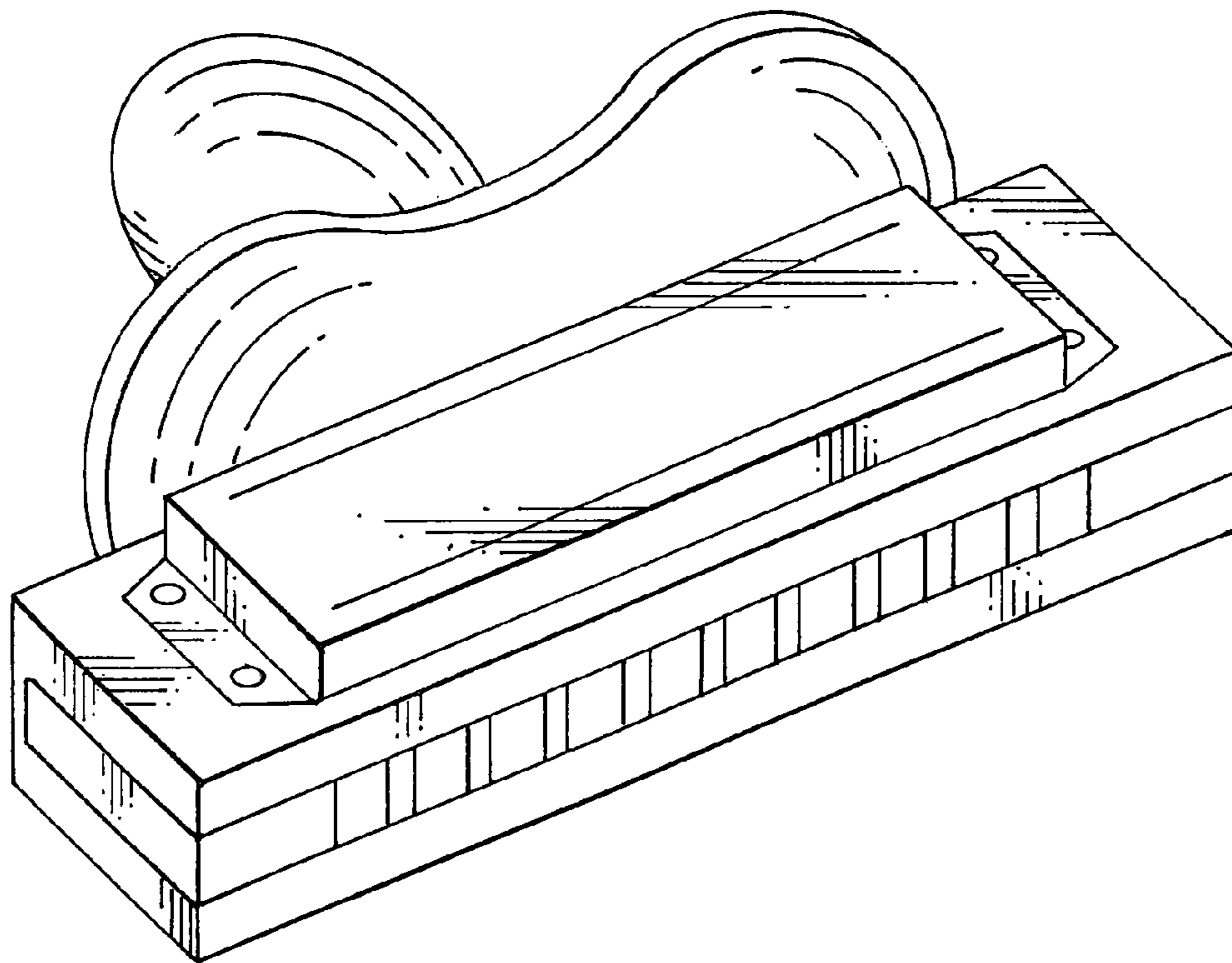


FIG. 1

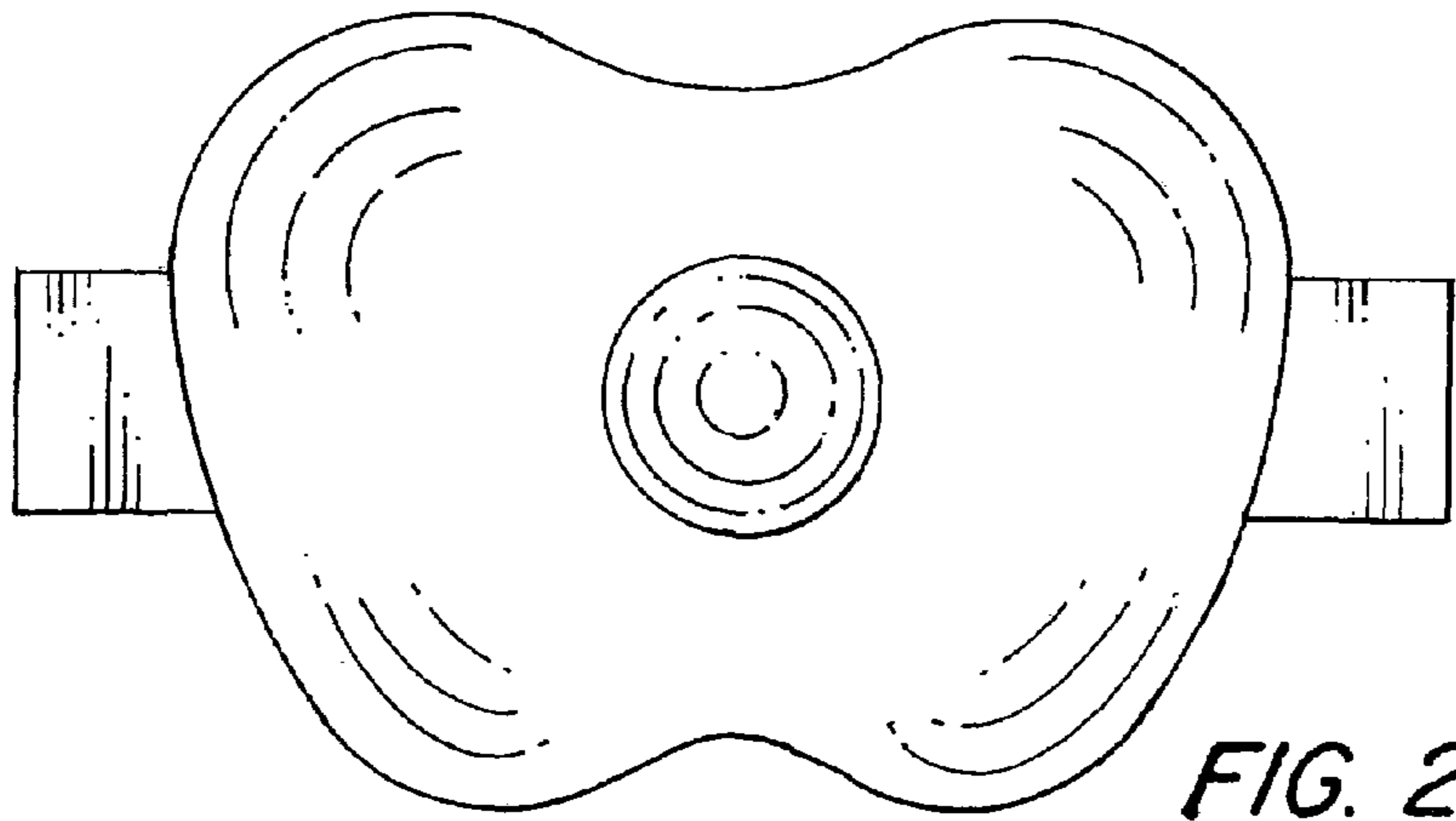


FIG. 2

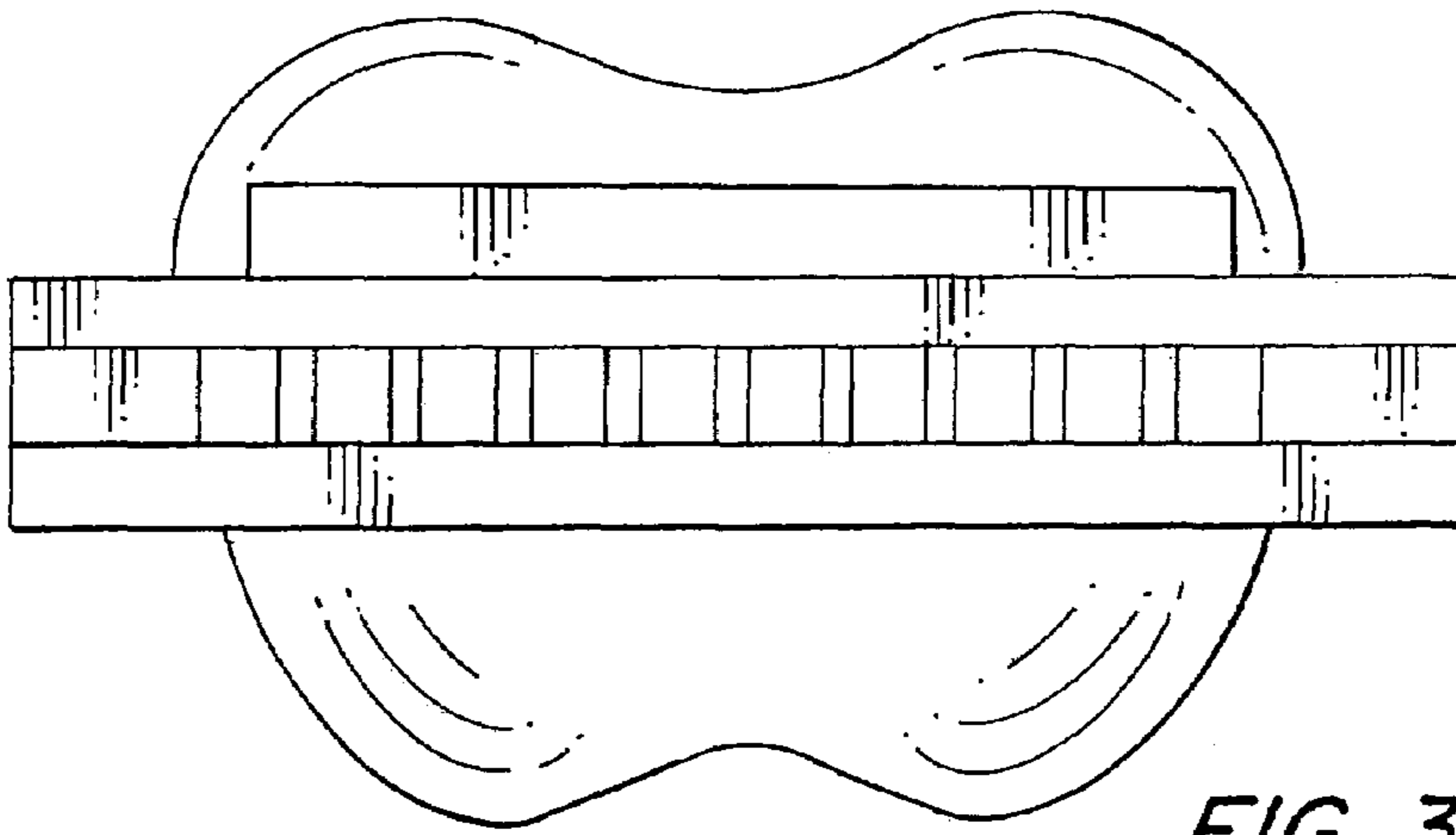


FIG. 3

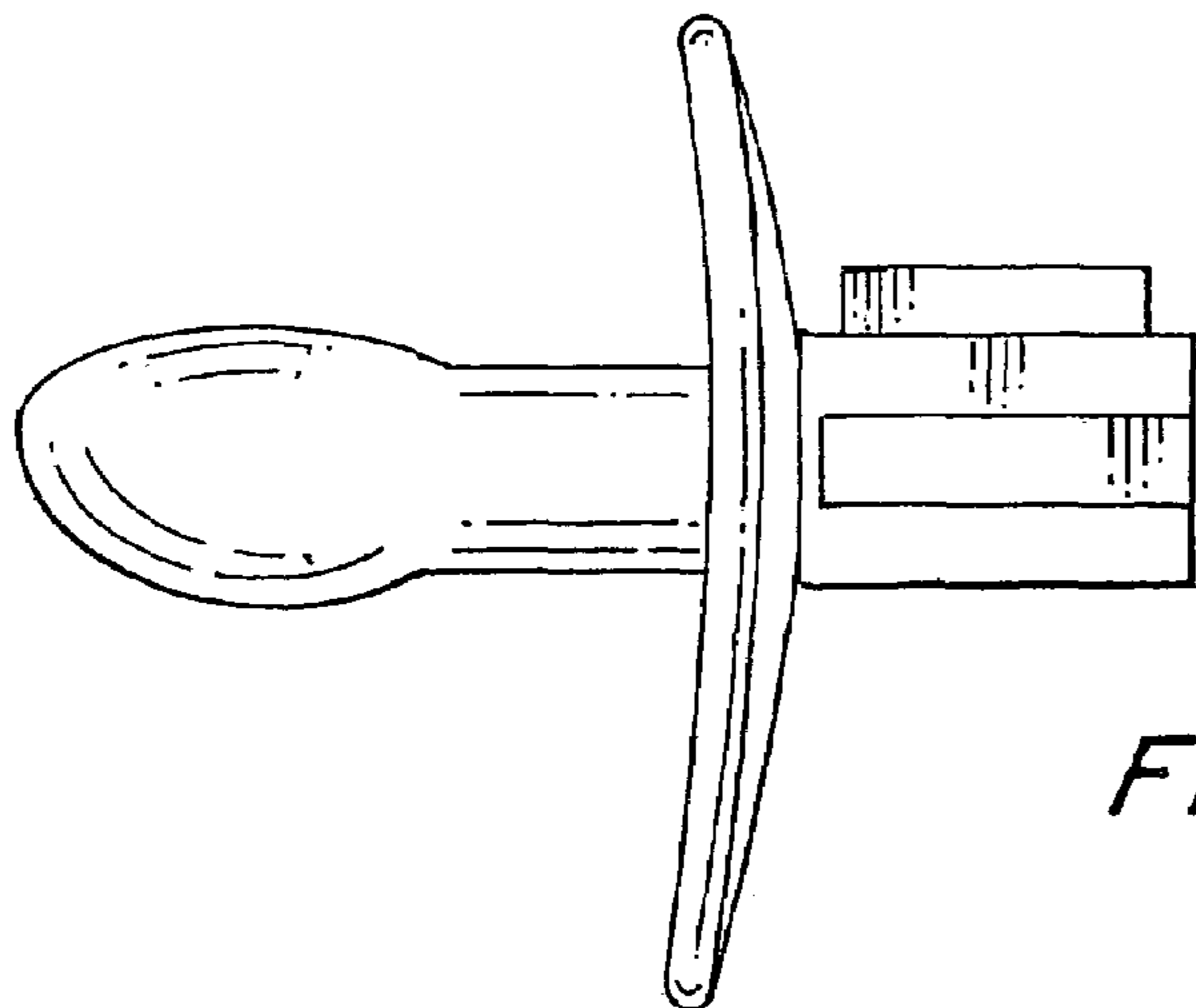


FIG. 4

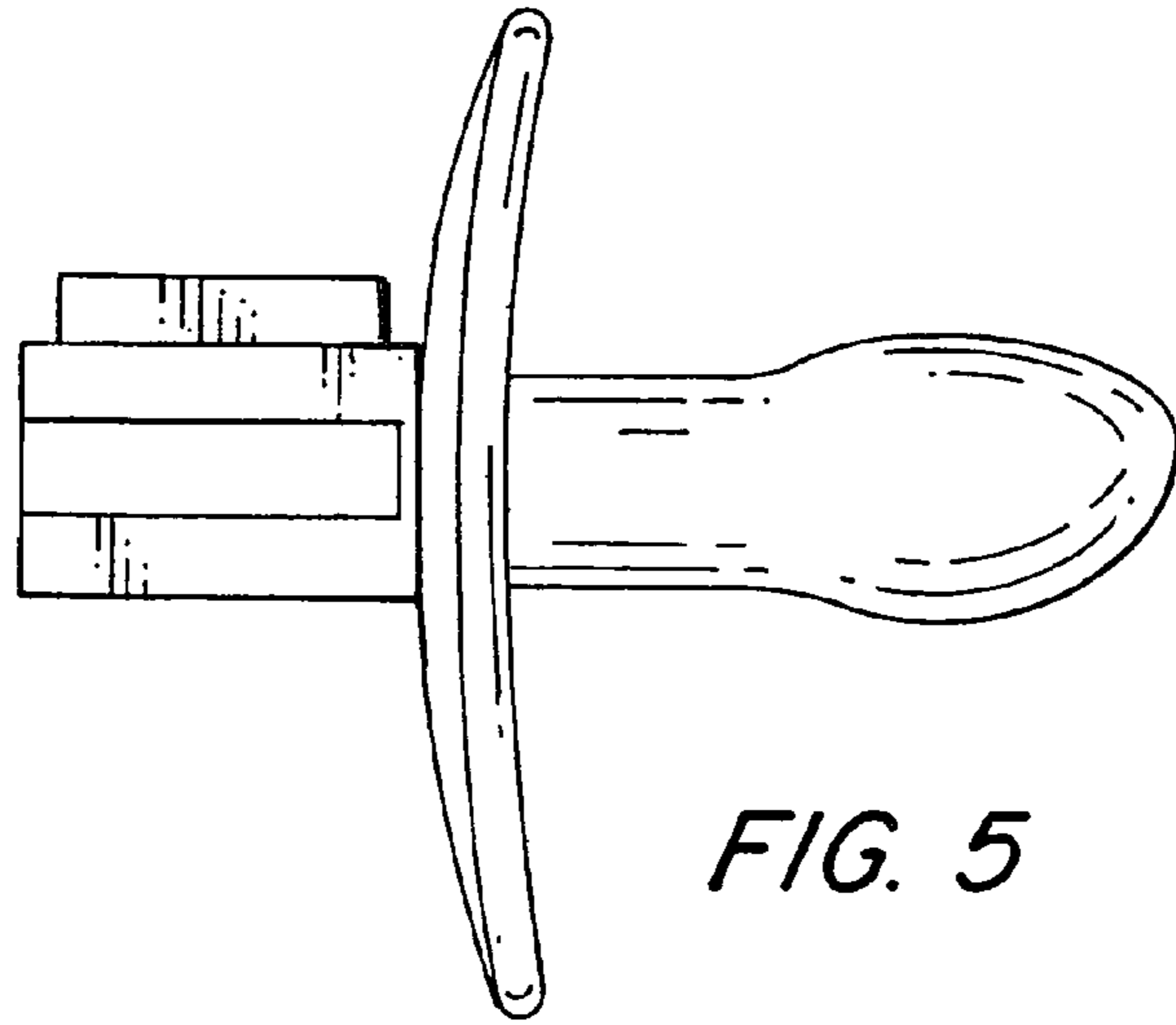


FIG. 5

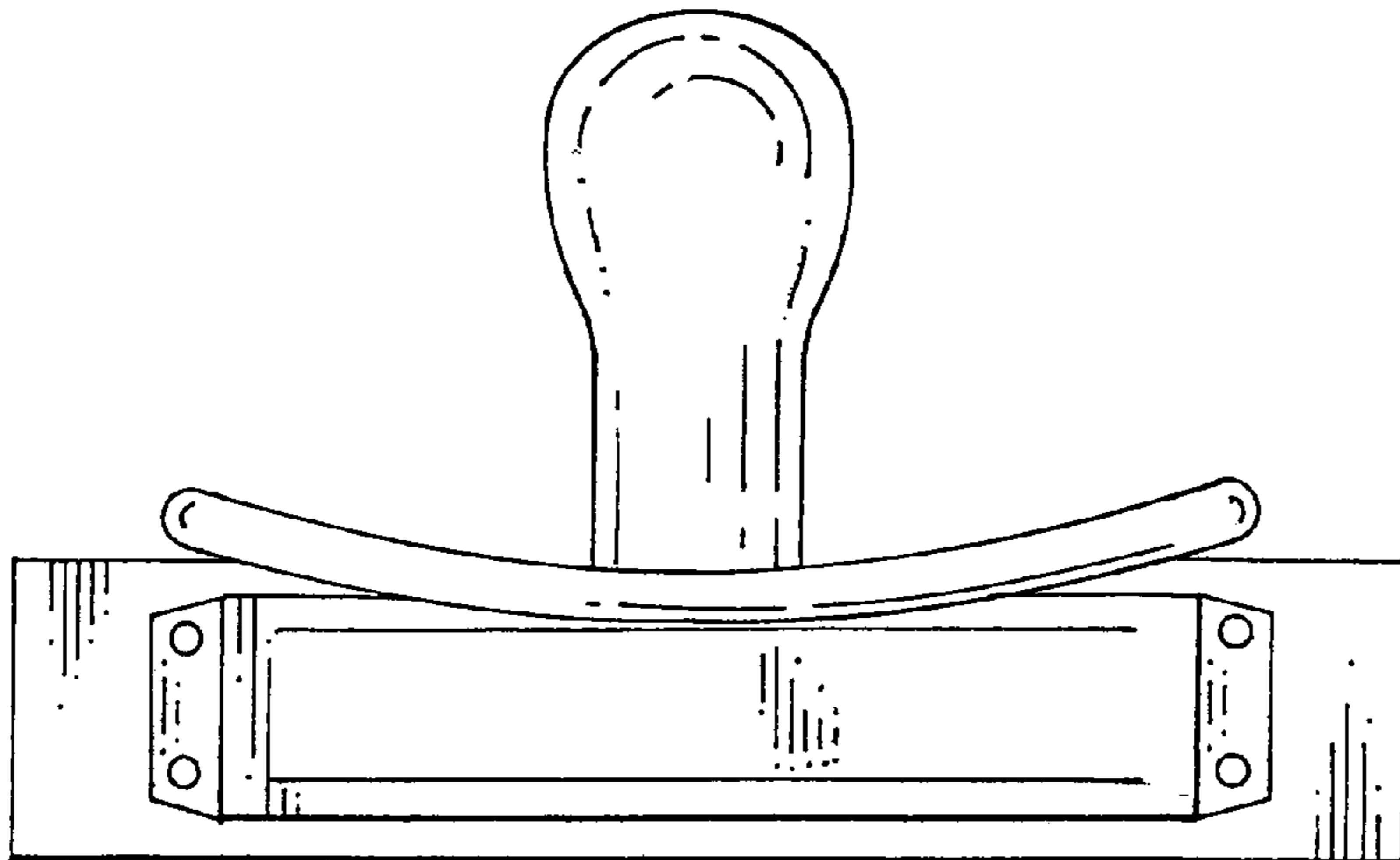


FIG. 6

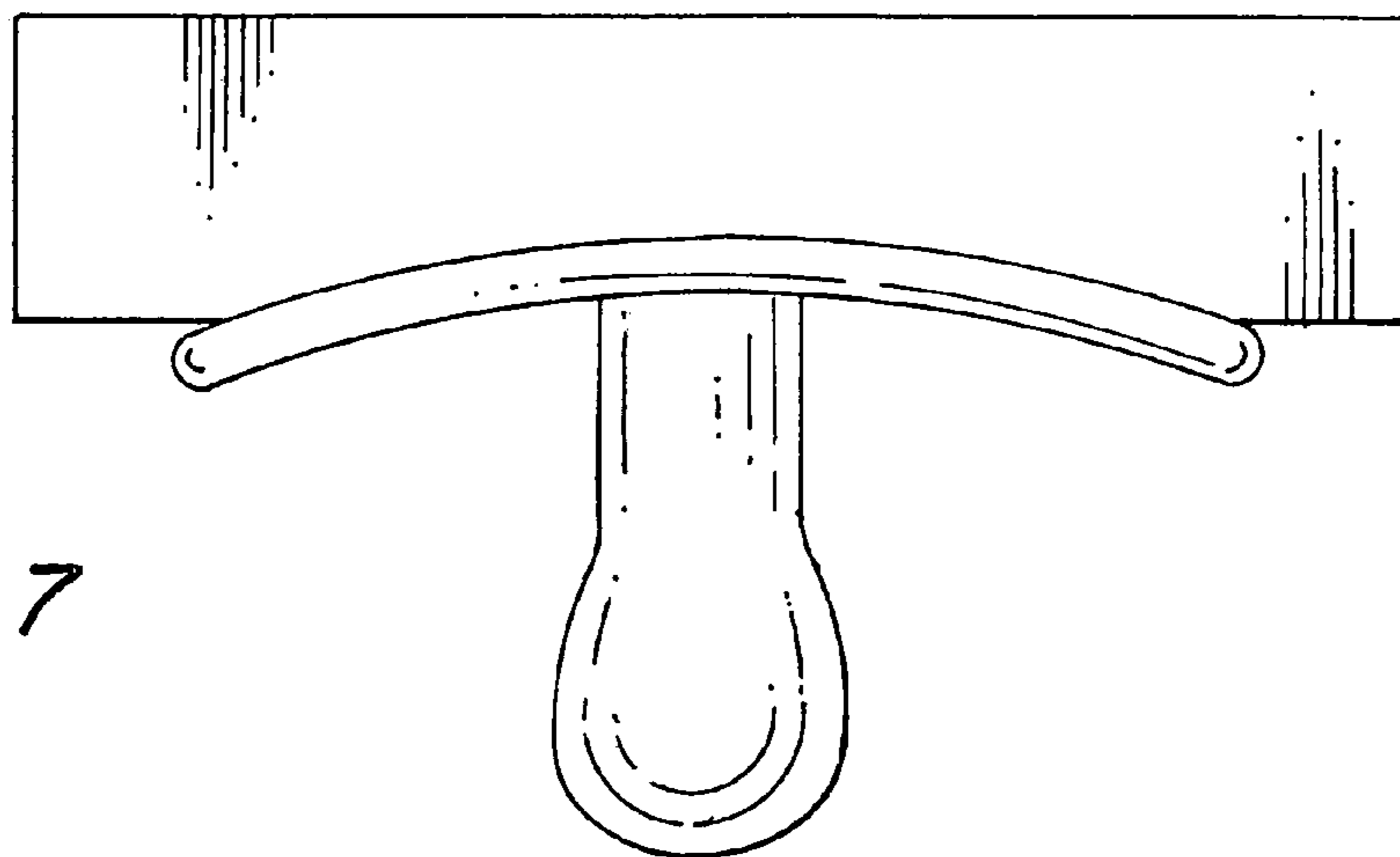


FIG. 7