



US00D593680S

(12) **United States Design Patent**
Hafele et al.

(10) **Patent No.:** **US D593,680 S**
(45) **Date of Patent:** **** Jun. 2, 2009**

(54) **MEDICAL LIQUID TUBING CLAMP**

(75) Inventors: **Daryl Eleazer Hafele**, Longmont, CO (US); **Kristine Michelle Cohrs**, Englewood, CO (US)

(73) Assignee: **Baxa Corporation**, Englewood, CO (US)

(**) Term: **14 Years**

(21) Appl. No.: **29/283,592**

(22) Filed: **Aug. 17, 2007**

(51) **LOC (9) Cl.** **24-02**

(52) **U.S. Cl.** **D24/143**

(58) **Field of Classification Search** D24/127–129, D24/143; D8/394–395; 128/DIG. 6, DIG. 26; 604/174; 248/74.2, 316.1; 24/16 R, 129 R, 24/270, 284, 546, 563, 910, 327, DIG. 13
See application file for complete search history.

(56) **References Cited**

U.S. PATENT DOCUMENTS

3,896,527	A	7/1975	Miller et al.	
4,596,571	A	6/1986	Bellotti et al.	
4,643,389	A	2/1987	Elson et al.	
D427,307	S	6/2000	Guala et al.	
6,089,527	A *	7/2000	Utterberg	251/4
6,113,062	A *	9/2000	Schnell et al.	251/10
D431,650	S	10/2000	Guala et al.	
6,361,523	B1	3/2002	Bierman	
6,413,240	B1 *	7/2002	Bierman et al.	604/174
D465,843	S	11/2002	Guala et al.	
6,572,588	B1 *	6/2003	Bierman et al.	604/180
6,644,618	B1 *	11/2003	Balbo	251/10
D529,374	S *	10/2006	Watanabe	D8/395

D570,203	S *	6/2008	Shiomoto	D8/395
D584,406	S *	1/2009	Veedfald et al.	D24/128
2008/0132848	A1 *	6/2008	Wright et al.	604/174

* cited by examiner

Primary Examiner—Ian Simmons

Assistant Examiner—Wan Laymon

(74) *Attorney, Agent, or Firm*—Marsh Fischmann & Breyfogle LLP

(57) **CLAIM**

The ornamental design for the medical liquid tubing clamp, as shown and described.

DESCRIPTION

FIG. 1 is a front plan view of the medical liquid tubing clamp; FIG. 2 is a back plan view of the medical liquid tubing clamp; FIG. 3 is a front perspective view of the medical liquid tubing clamp;

FIG. 4 is a rear perspective view of the medical liquid tubing clamp;

FIG. 5 is a right side view of the medical liquid tubing clamp;

FIG. 6 is a left side view of the medical liquid tubing clamp;

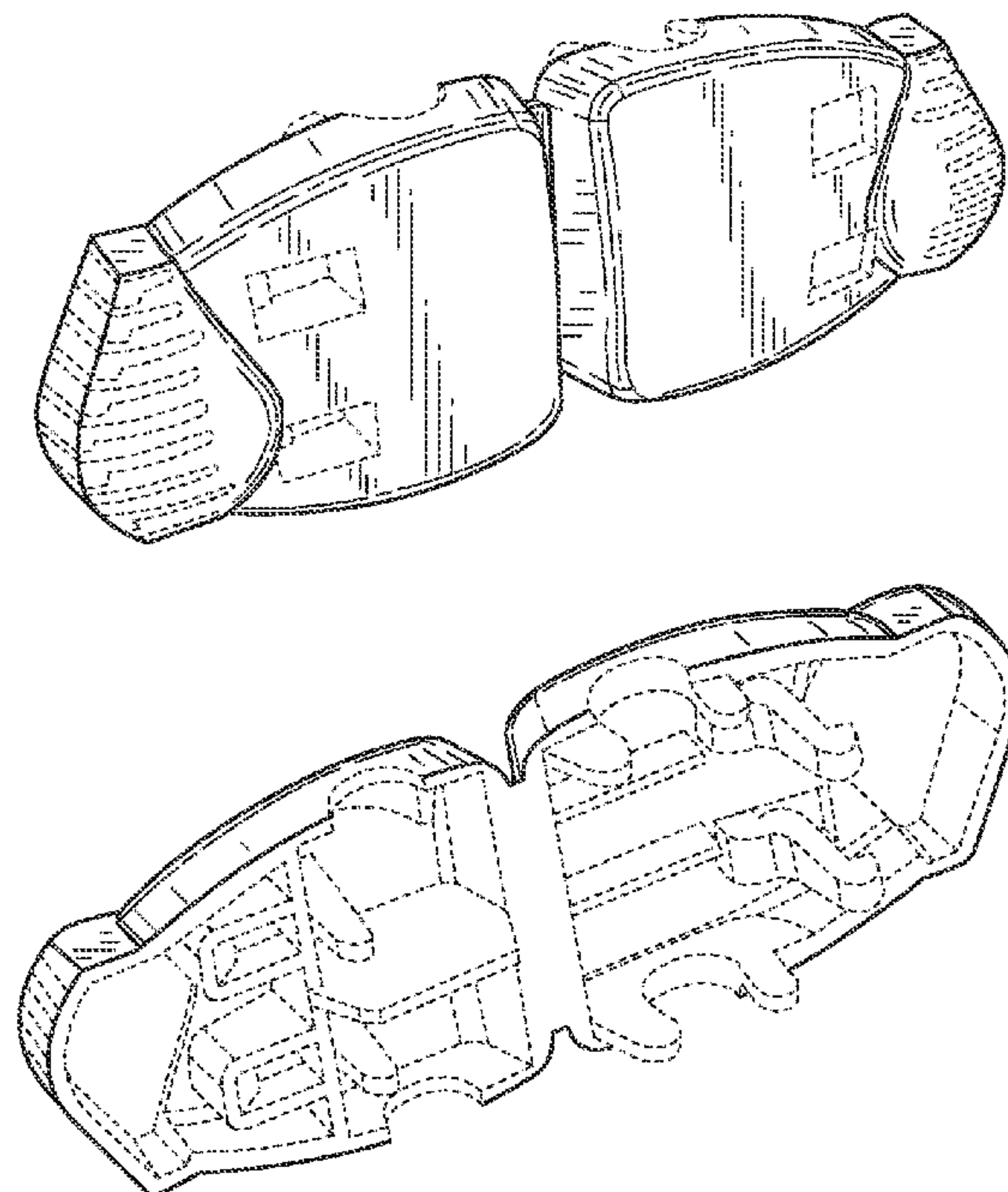
FIG. 7 is a top view of the medical liquid tubing clamp;

FIG. 8 is a bottom view of the medical liquid tubing clamp; and,

FIG. 9 is a perspective view of the medical liquid tubing clamp in a closed position.

The broken lines illustrate environmental structure of the medical liquid tubing clamp, which forms no part of the claimed design.

1 Claim, 4 Drawing Sheets



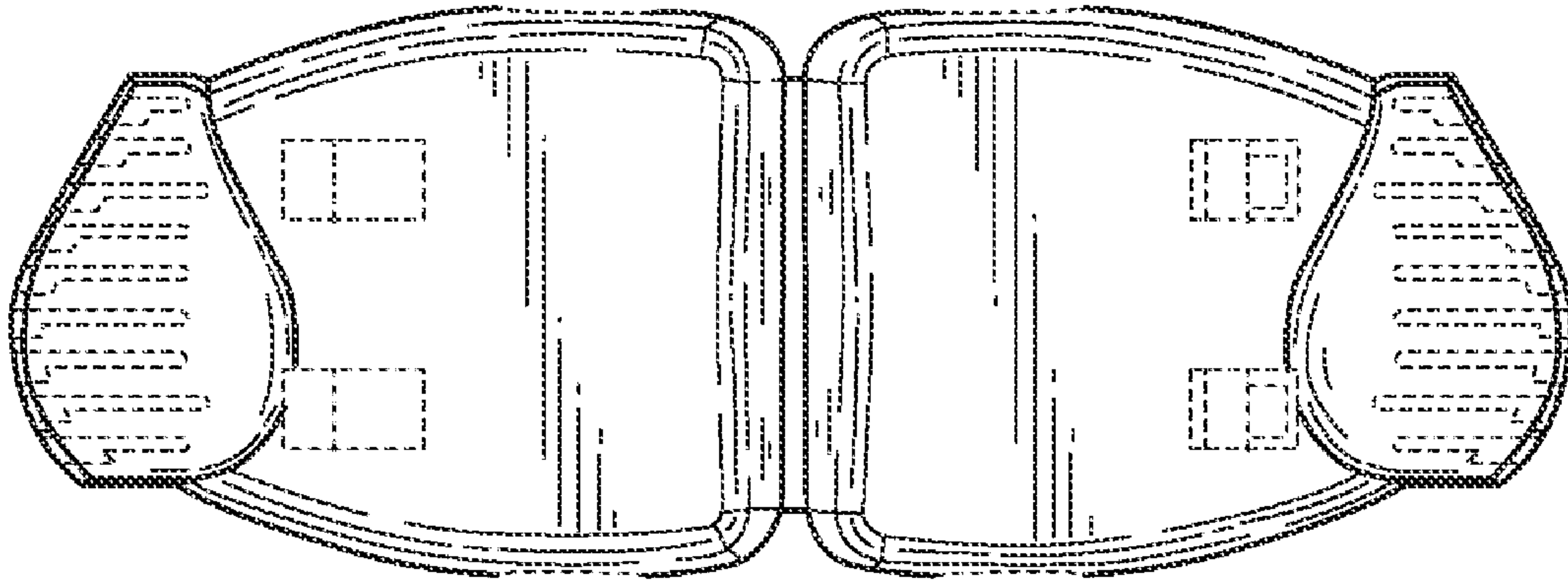


FIG. 1

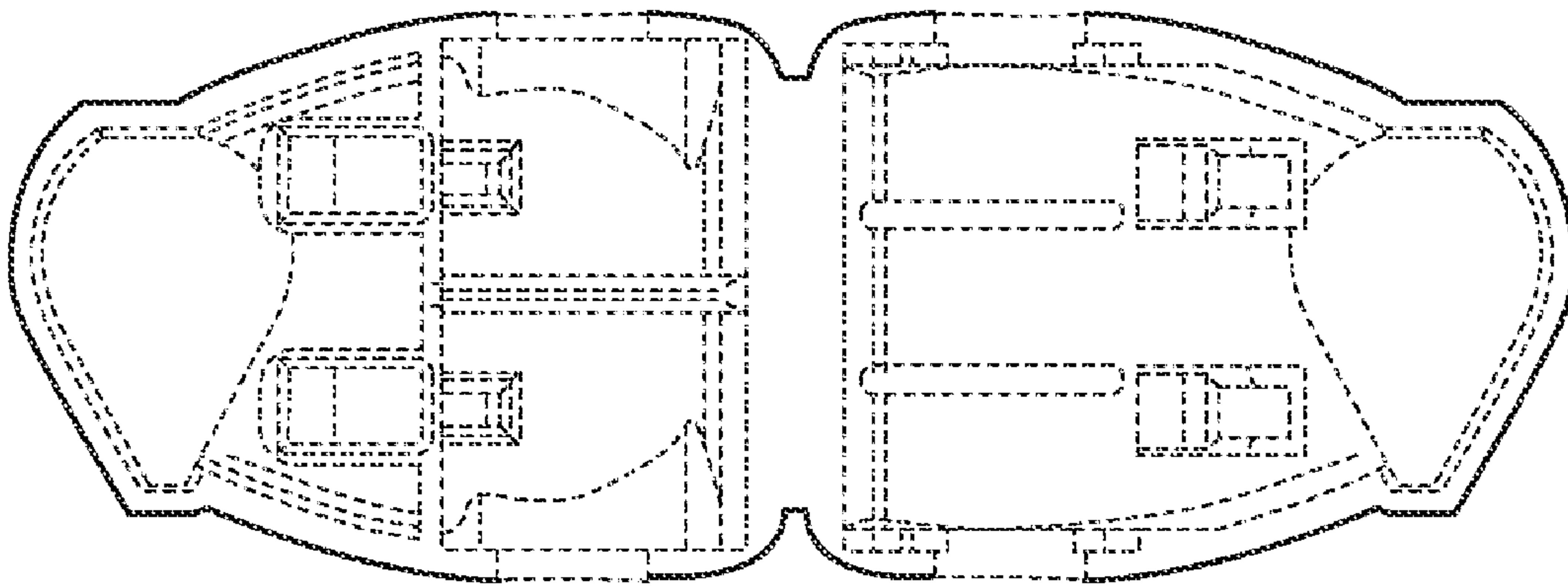


FIG. 2

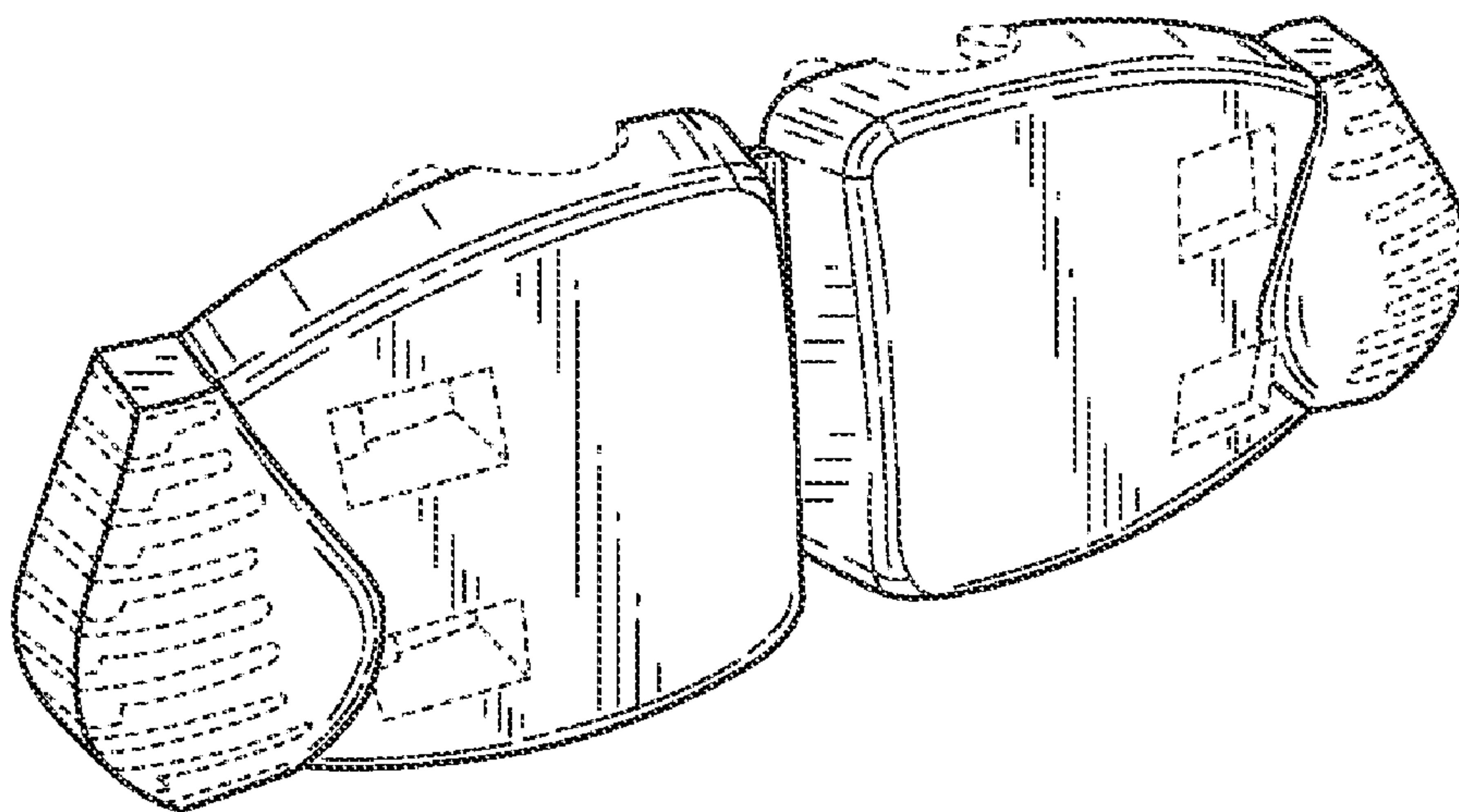


FIG.3

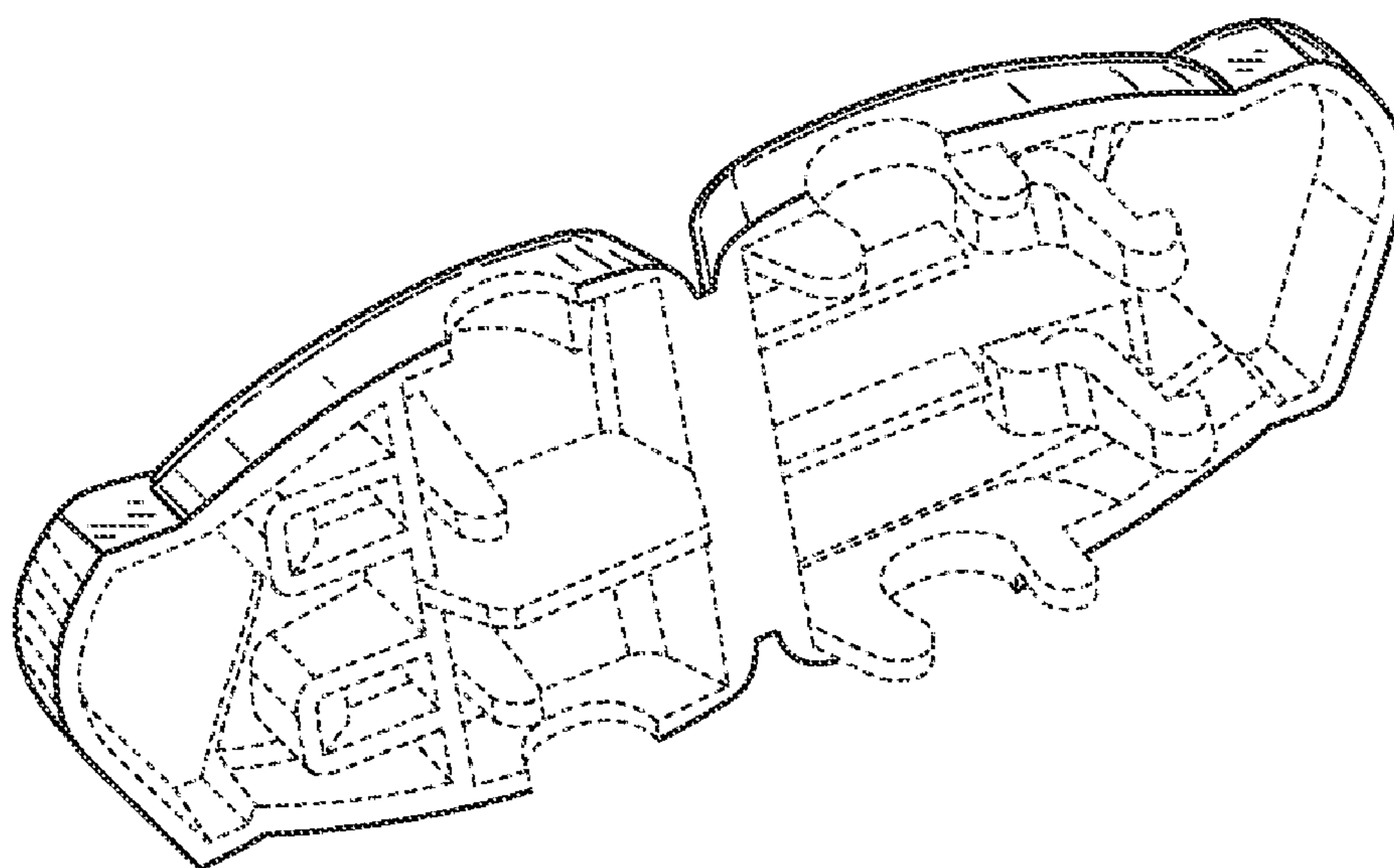


FIG.4

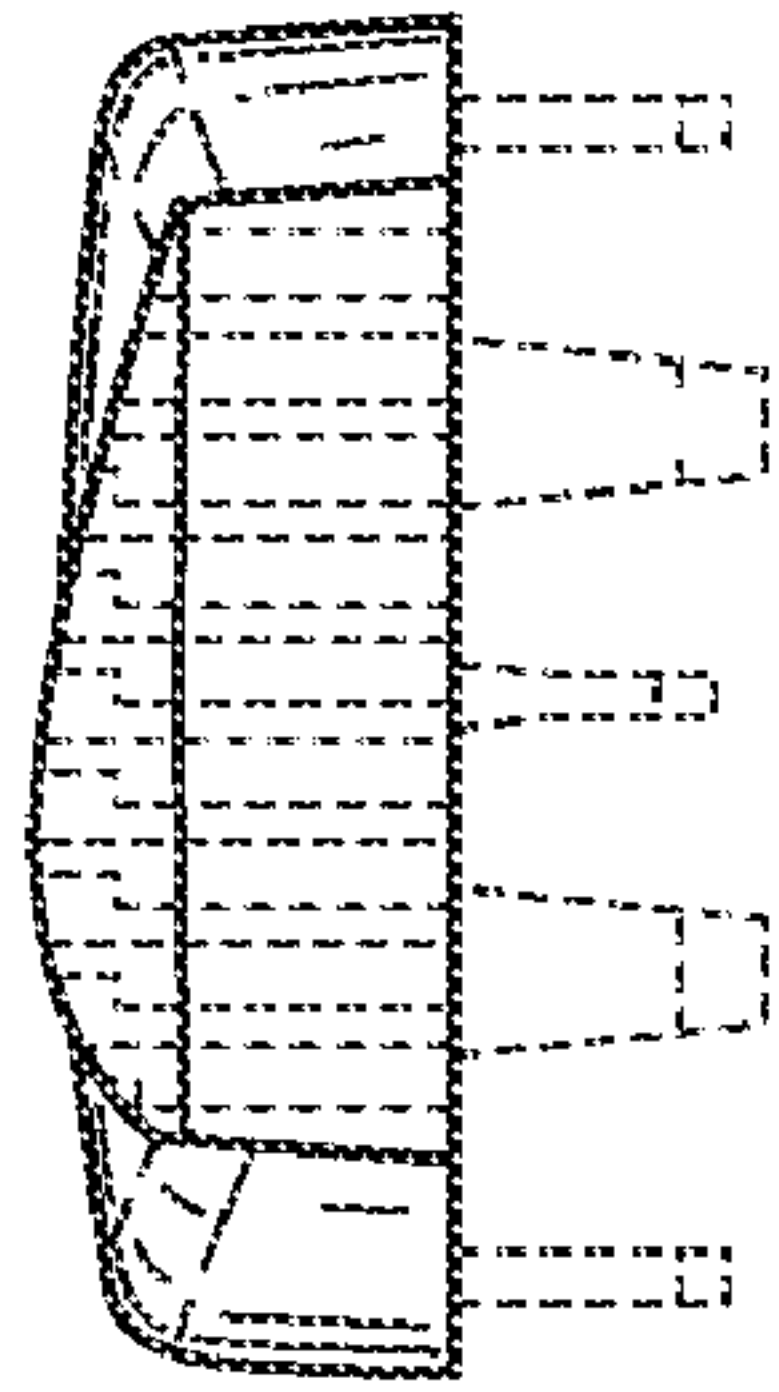


FIG. 5

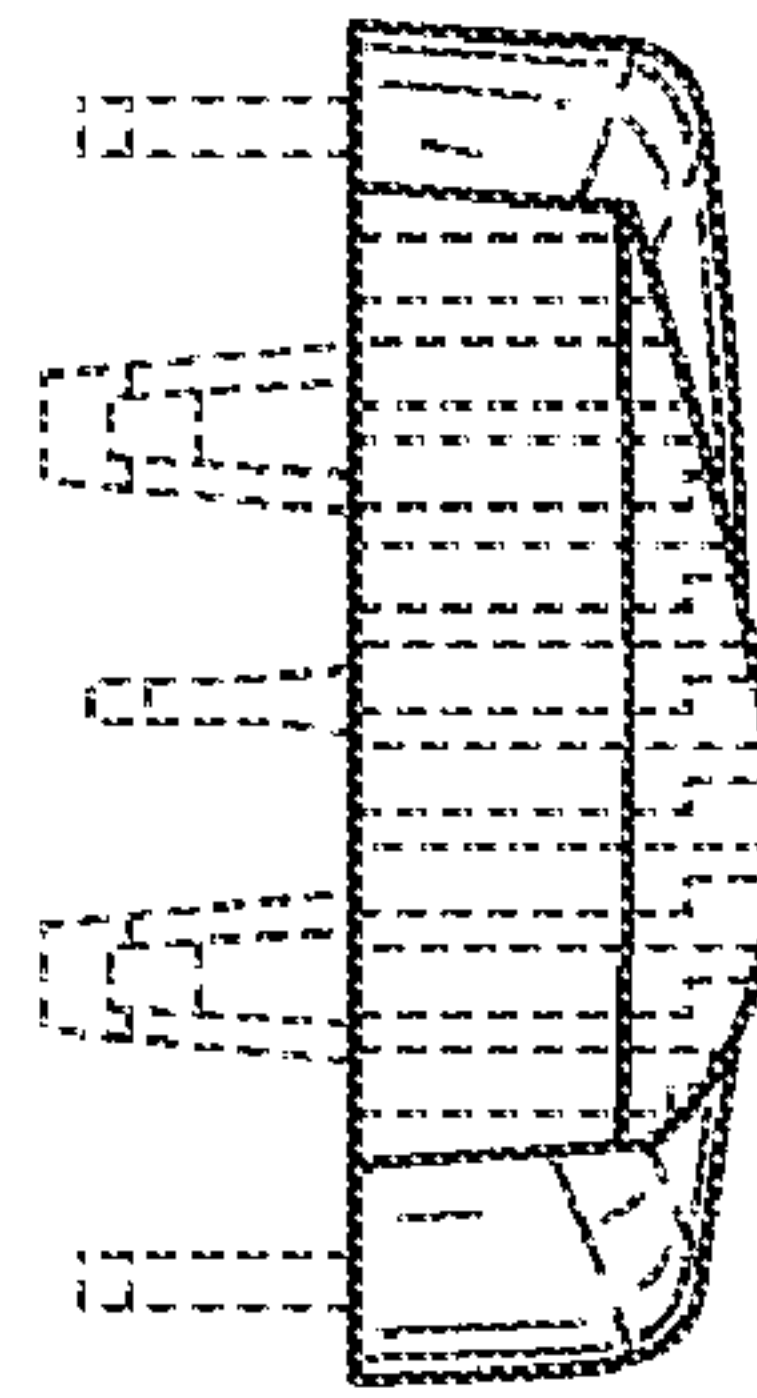


FIG. 6

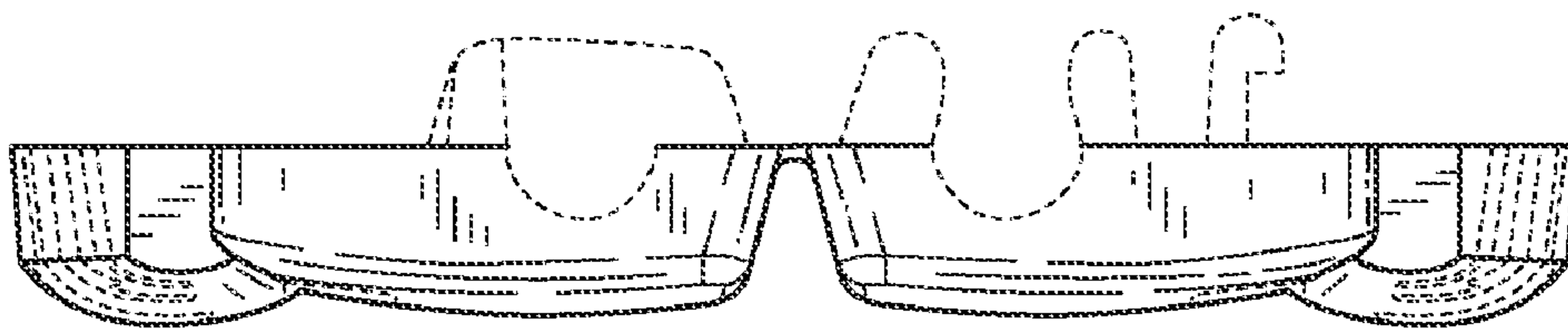


FIG. 7

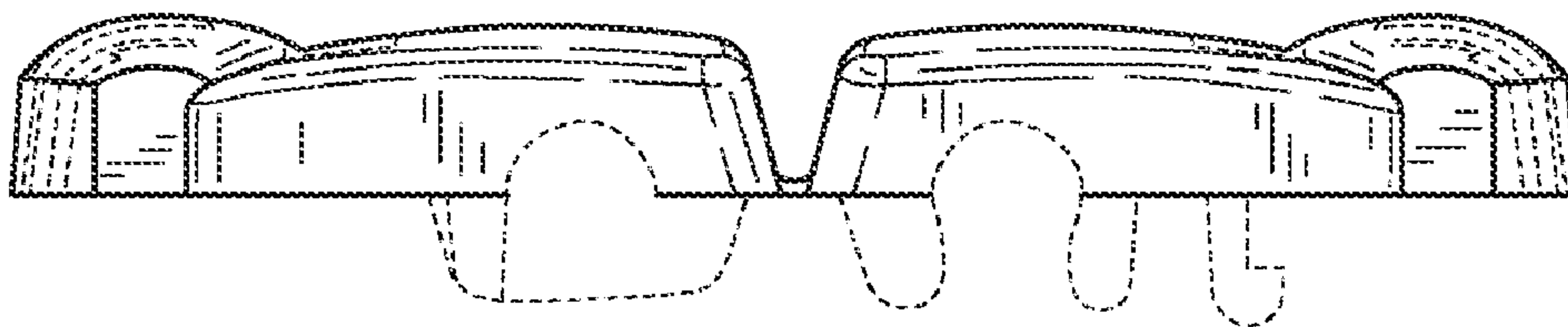


FIG. 8

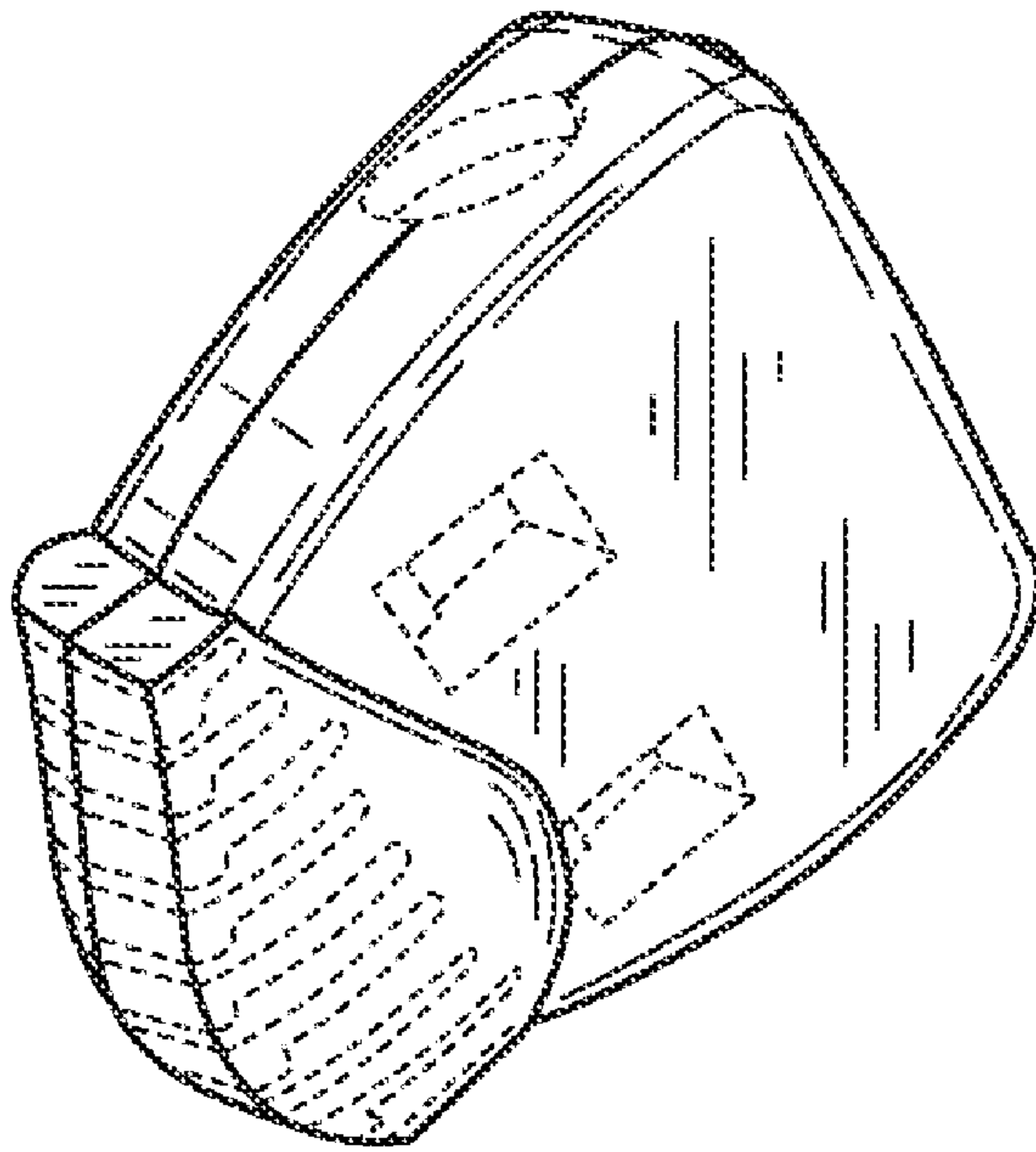


FIG.9