



US00D593679S

(12) **United States Design Patent**
Bartlett et al.

(10) **Patent No.:** **US D593,679 S**
(45) **Date of Patent:** **** Jun. 2, 2009**

(54) **PROXIMAL CONNECTOR FOR AN ENDOSCOPE ASSEMBLY**

(75) Inventors: **James Alastair Louis Bartlett**,
Abbeymead (GB); **Gary Victor Louis Warner**,
Malmesbury (GB); **Neil Brian Cant**,
Addeydale (GB)

(73) Assignee: **Q Park Medical Limited** (GB)

(**) Term: **14 Years**

(21) Appl. No.: **29/304,753**

(22) Filed: **Mar. 7, 2008**

(30) **Foreign Application Priority Data**

Sep. 17, 2007 (EM) 000793393

(51) **LOC (9) Cl.** **24-02**

(52) **U.S. Cl.** **D24/130**

(58) **Field of Classification Search** D24/129-130,
D24/132, 137-138; 600/132, 134, 174, 160,
600/131, 142, 459, 461, 453; 348/75-76
See application file for complete search history.

(56) **References Cited**

U.S. PATENT DOCUMENTS

4,261,345 A * 4/1981 Yamaguchi 600/132
D271,618 S * 11/1983 Nishigaki D24/138
D280,206 S * 8/1985 Ishii D16/134

5,616,135 A * 4/1997 Thorne et al. 604/192
5,928,200 A * 7/1999 Thorne et al. 604/195
6,024,727 A * 2/2000 Thorne et al. 604/195
D490,898 S * 6/2004 Hayamizu D24/138
D497,428 S * 10/2004 Hayamizu D24/138

* cited by examiner

Primary Examiner—T. Chase Nelson

Assistant Examiner—Eric L Goodman

(74) *Attorney, Agent, or Firm*—Mark J. Nahnsen; Barnes & Thornburg LLP

(57) **CLAIM**

The ornamental design for proximal connector for an endoscope assembly, as shown and described.

DESCRIPTION

FIG. 1 is a perspective view of a proximal connector for an endoscope assembly;

FIG. 2 is another perspective view of the proximal connector;

FIG. 3 is an enlarged perspective view of the proximal connector;

FIG. 4 is a front plan view of the proximal connector;

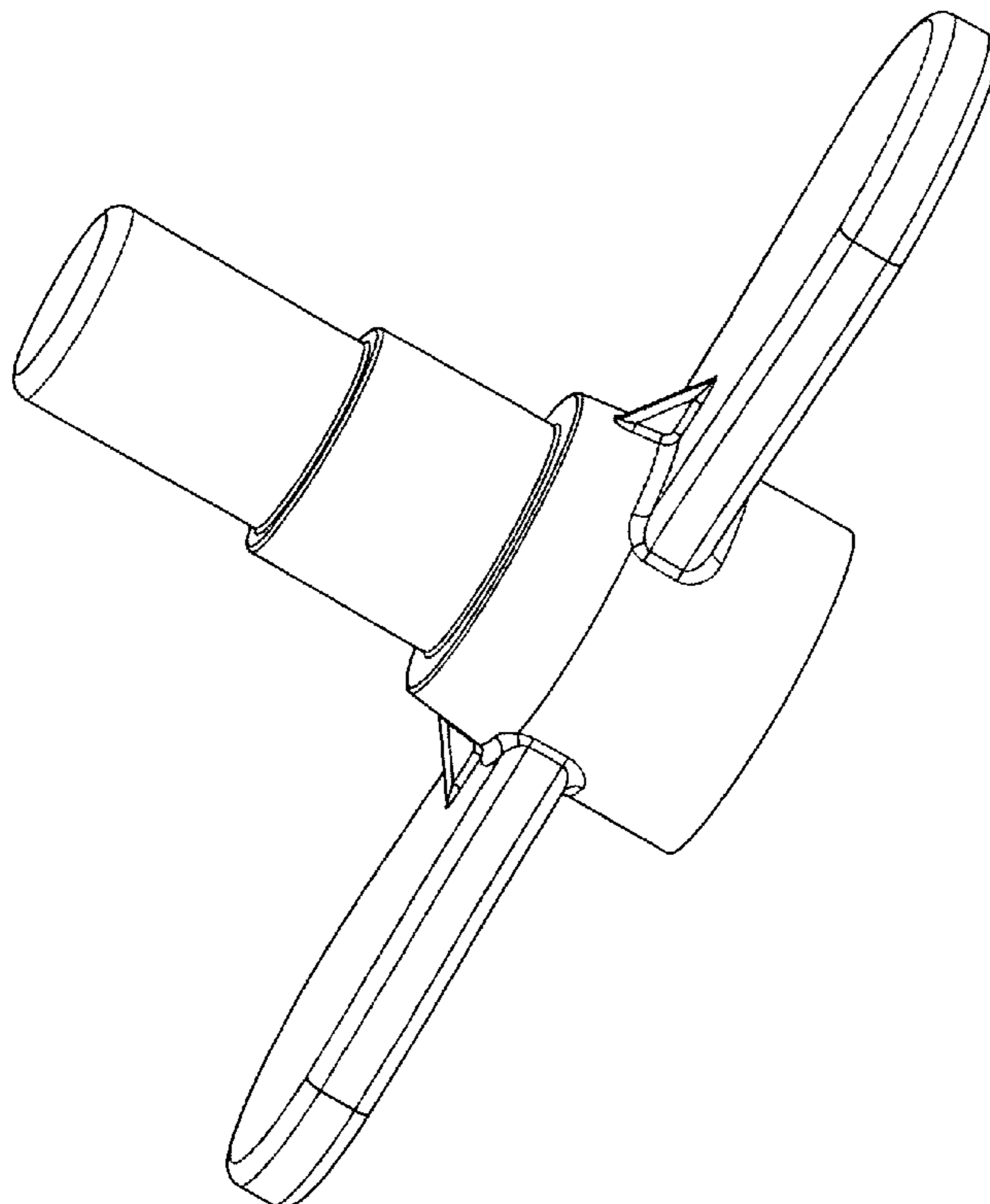
FIG. 5 is a side plan view of the proximal connector;

FIG. 6 is a top view of the proximal connector;

FIG. 7 is a bottom view of the proximal connector; and,

FIG. 8 is a perspective view of the proximal connector.

1 Claim, 8 Drawing Sheets



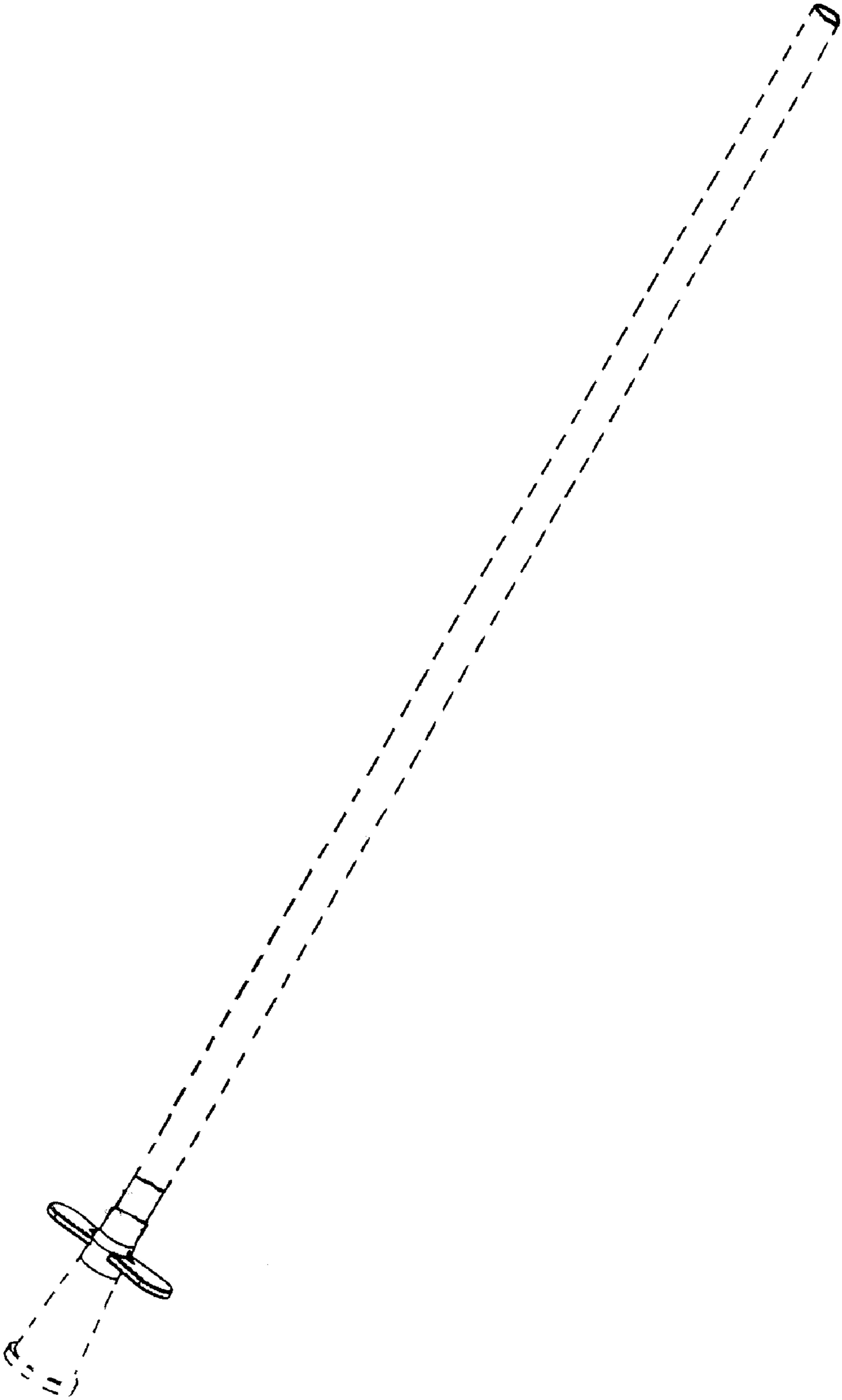


Figure 1

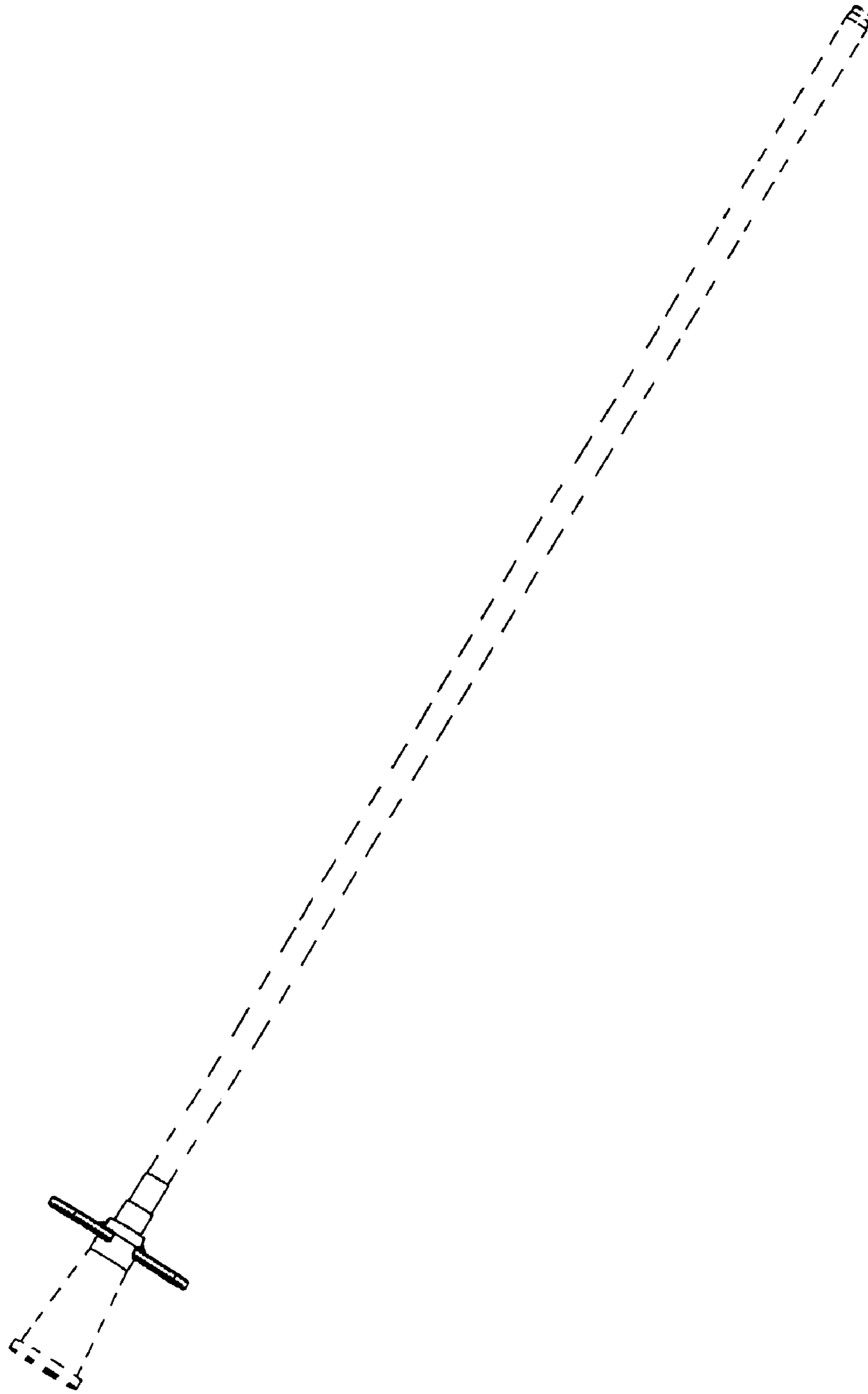


Figure 2

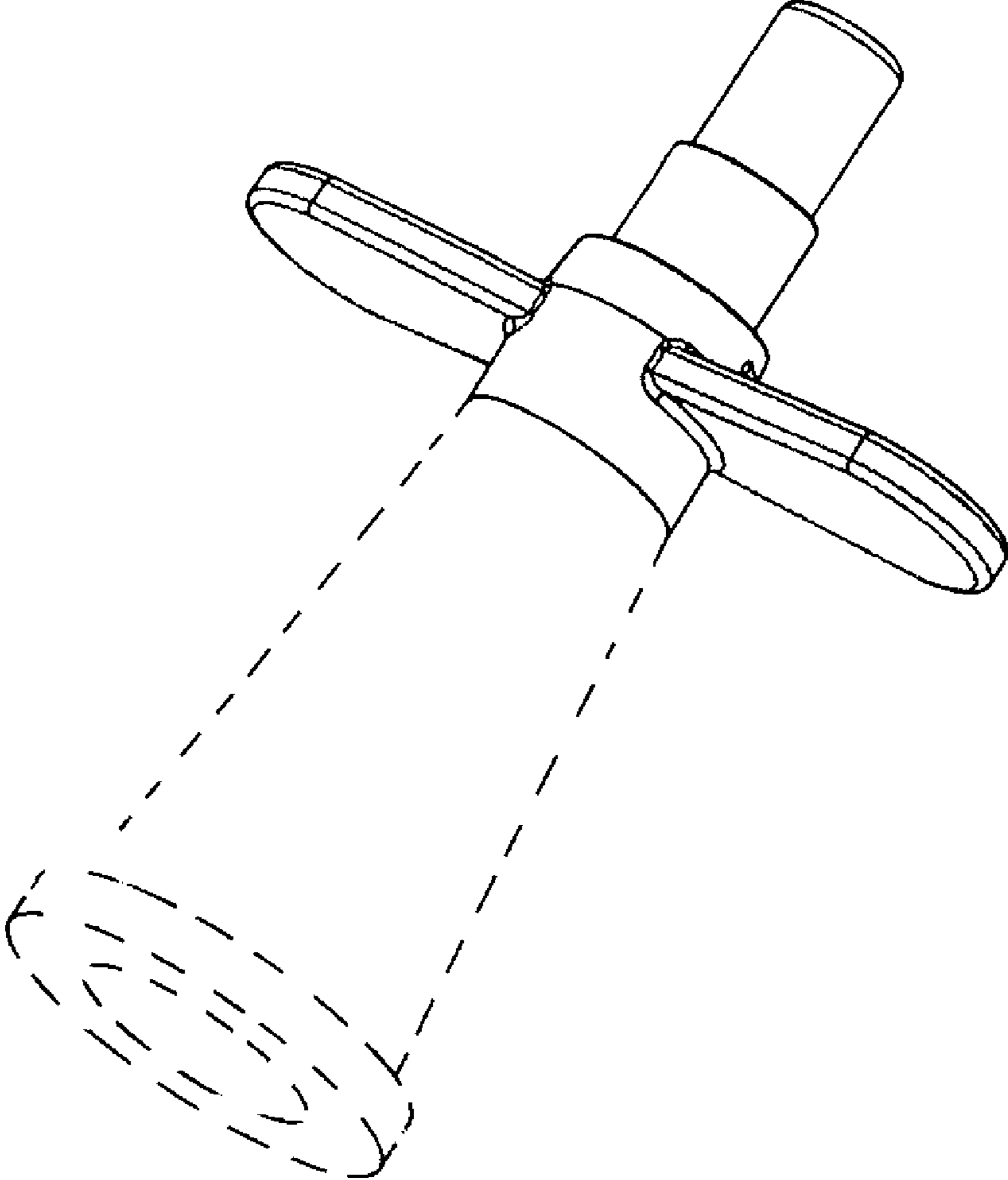


Figure 3

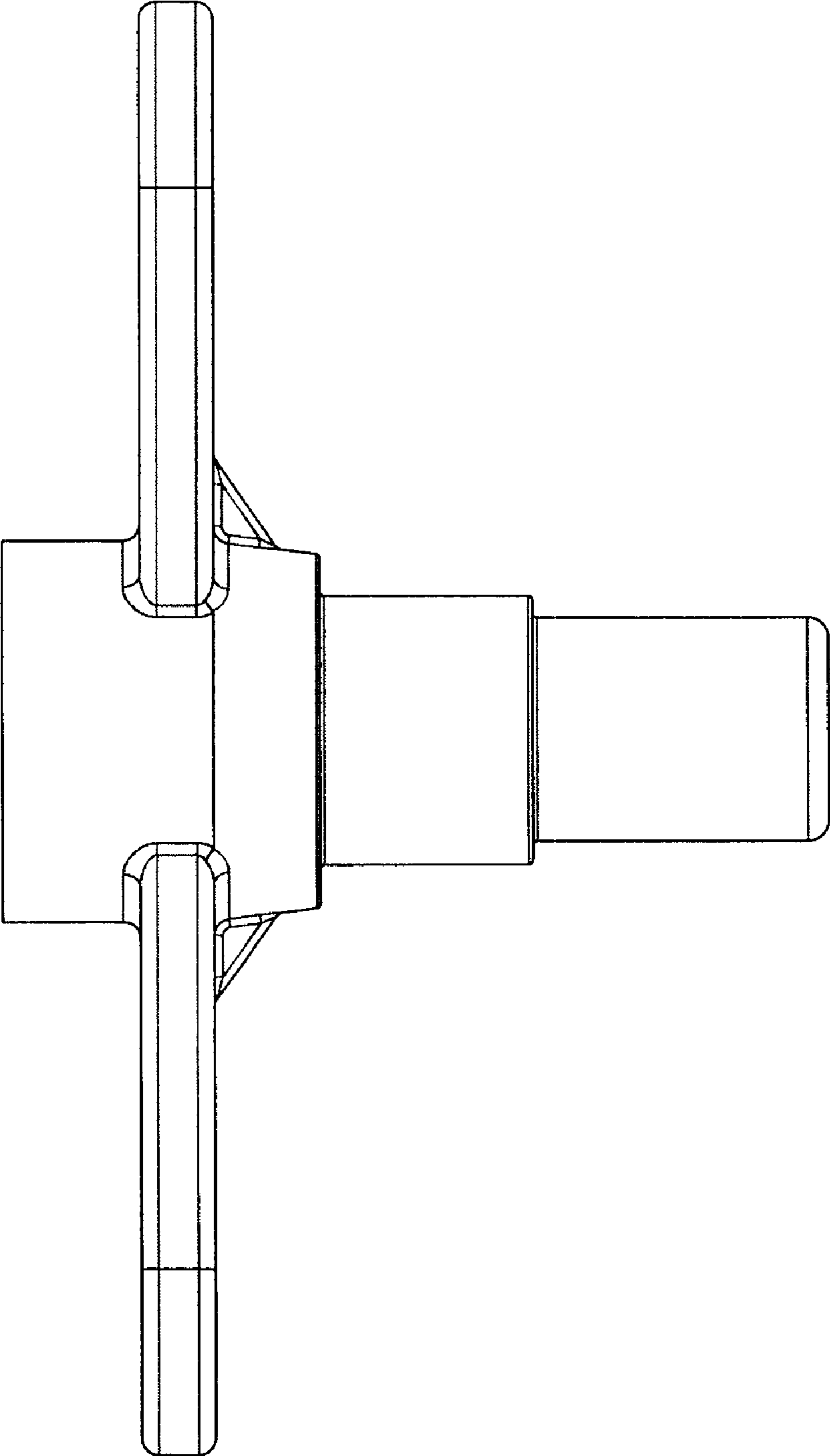


Figure 4

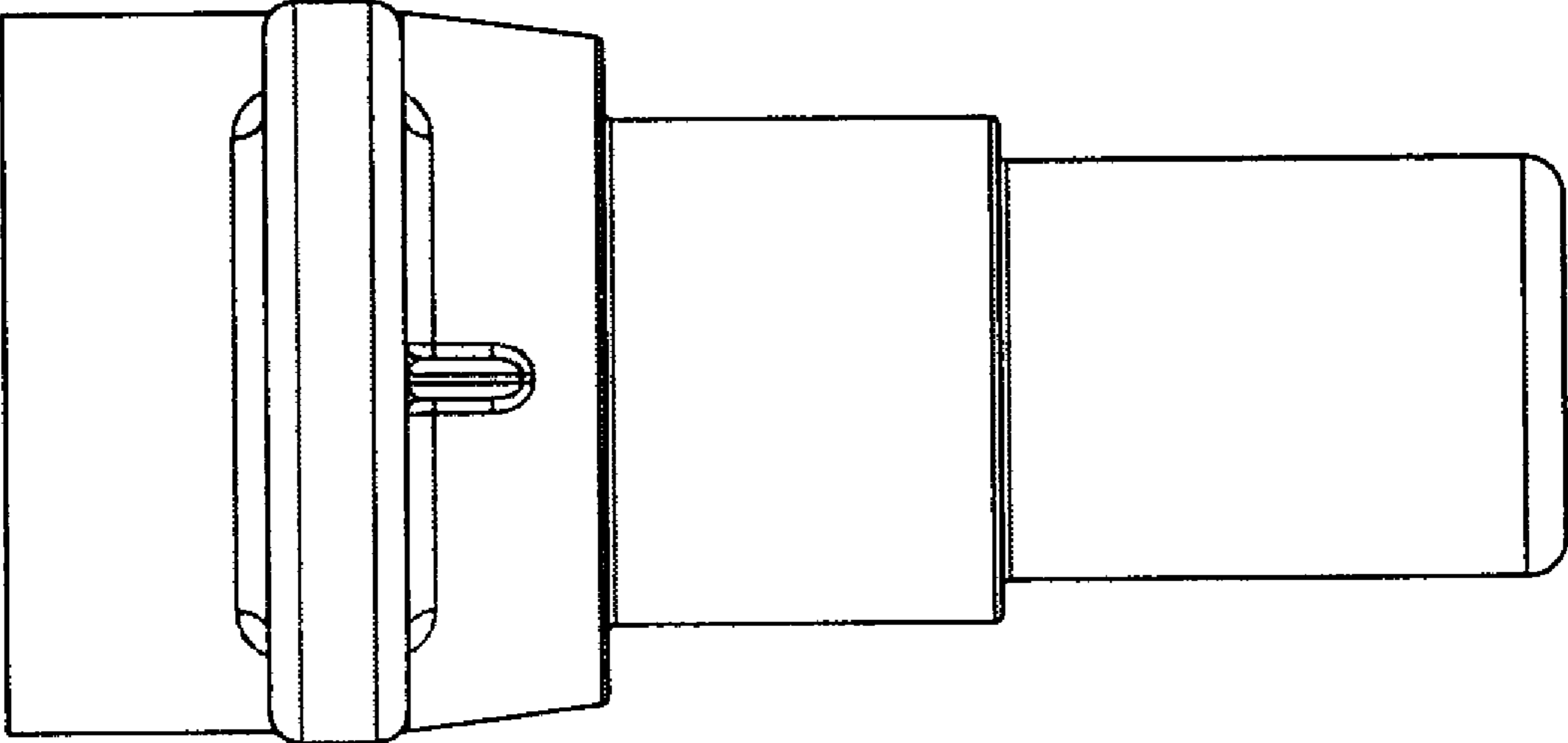


Figure 5

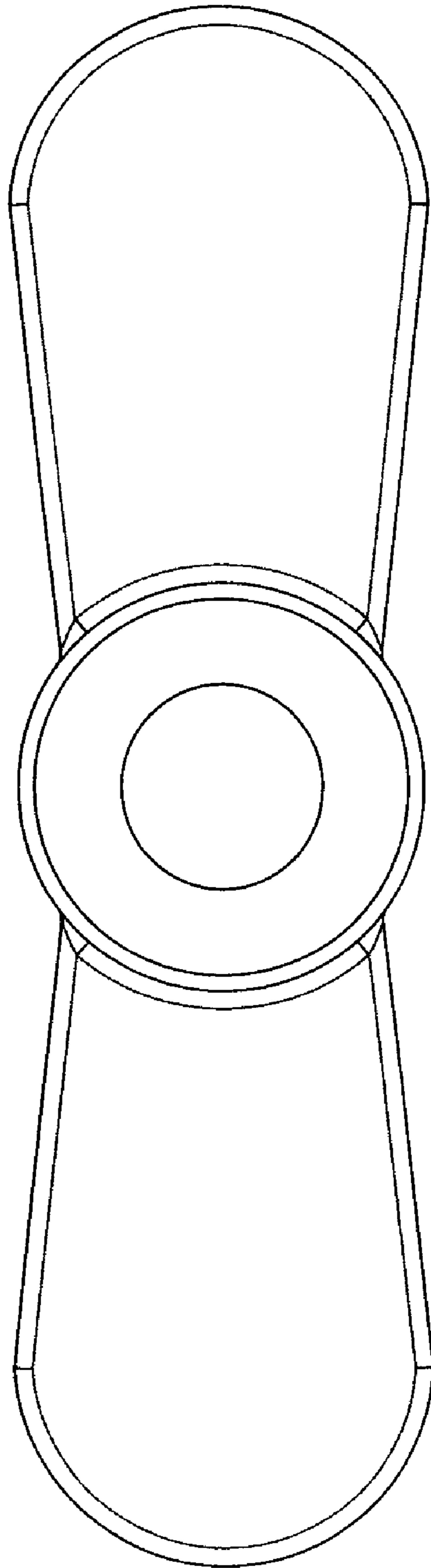


Figure 6

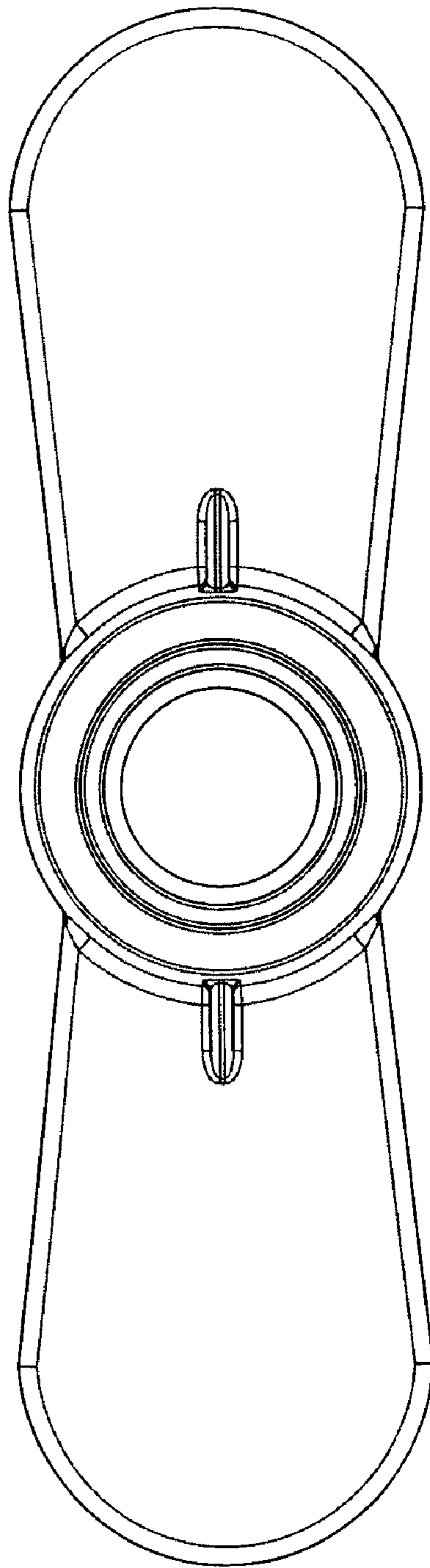


Figure 7

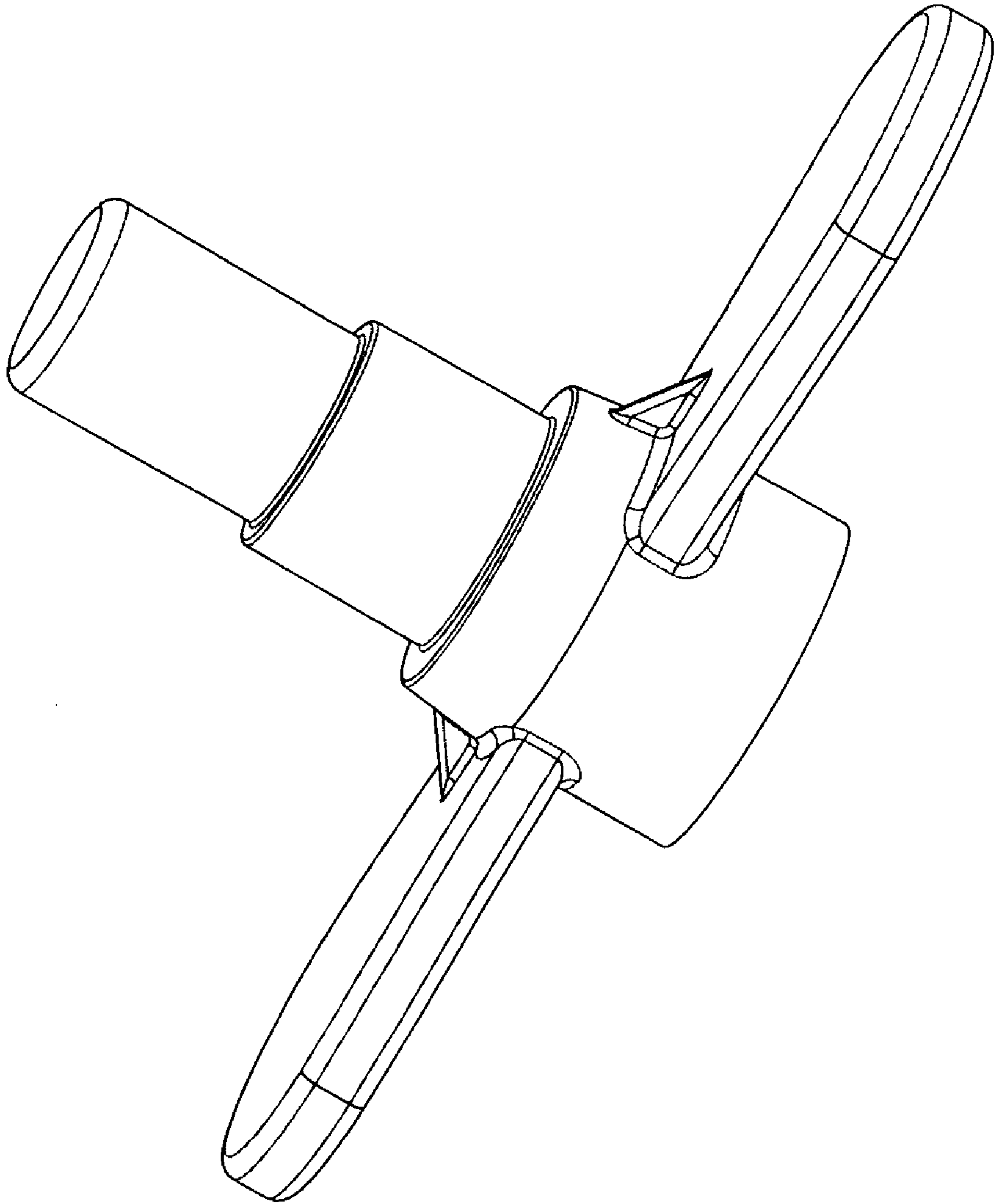


Figure 8