



US00D593677S

(12) **United States Design Patent**  
**Mudd et al.**

(10) **Patent No.:** **US D593,677 S**  
(45) **Date of Patent:** **\*\* Jun. 2, 2009**

(54) **INJECTION DEVICE**

(75) Inventors: **Christopher S. Mudd**, Goleta, CA (US);  
**Ahmet Tezel**, Goleta, CA (US)

(73) Assignee: **Allergan, Inc.**, Irvine, CA (US)

(\*\*) Term: **14 Years**

(21) Appl. No.: **29/320,140**

(22) Filed: **Jun. 20, 2008**

(51) **LOC (9) Cl.** ..... **24-02**

(52) **U.S. Cl.** ..... **D24/113**

(58) **Field of Classification Search** ..... D24/113,  
D24/112, 133, 114, 186, 104, 130, 108; 606/181,  
606/185; 604/232, 187

See application file for complete search history.

(56) **References Cited**

**U.S. PATENT DOCUMENTS**

4,108,177	A	8/1978	Pistor	
D256,160	S *	7/1980	Fujitaki et al.	D24/113
4,787,893	A	11/1988	Villette	
4,950,246	A	8/1990	Muller	
5,078,690	A *	1/1992	Ryan	604/187
5,137,514	A *	8/1992	Ryan	D24/113
5,368,572	A	11/1994	Shirota	
5,383,865	A	1/1995	Michel	
D363,777	S *	10/1995	Rees	D24/113
5,672,155	A	9/1997	Riley et al.	
5,690,618	A	11/1997	Smith et al.	
D404,484	S *	1/1999	Lahr et al.	D24/133
D406,337	S *	3/1999	Baust et al.	D24/133
D408,527	S *	4/1999	Coelho et al.	D24/108
5,911,729	A *	6/1999	Shikhman et al.	606/181
6,171,276	B1	1/2001	Lippe et al.	
D460,174	S *	7/2002	Gallagher	D24/113
6,582,405	B2	6/2003	Kawagishi et al.	
6,585,698	B1	7/2003	Packman et al.	
D478,986	S *	8/2003	Johnston et al.	D24/133
6,656,150	B2	12/2003	Hill et al.	
6,696,370	B2	2/2004	Jackson	

6,915,822	B2	7/2005	Krumm	
6,997,906	B2	2/2006	Langley et al.	
D536,785	S *	2/2007	Bacher et al.	D24/133
D545,428	S *	6/2007	Stammberger et al.	D24/113
7,226,450	B2	6/2007	Athanasίου et al.	
2005/0261693	A1 *	11/2005	Miller et al.	604/187
2007/0250010	A1	10/2007	Hohlfelder et al.	

**FOREIGN PATENT DOCUMENTS**

EP	293958	B1	12/1988
EP	567186	B1	10/1993
EP	1462134	A1	9/2004
EP	1859827	A1	11/2007
WO	WO93/02720	A1	2/1993
WO	WO94/15660	A1	7/1994
WO	WO97/36623	A1	10/1997
WO	WO2005/056088	A1	6/2005
WO	WO2006/090509	A1	8/2006
WO	WO2006/116997	A1	11/2006

\* cited by examiner

*Primary Examiner*—T. Chase Nelson  
*Assistant Examiner*—David G Muller  
(74) *Attorney, Agent, or Firm*—Linda A. Fox

(57) **CLAIM**

The ornamental design for an injection device, as shown and described.

**DESCRIPTION**

FIG. 1 is a perspective view of an injection device showing our new design.

FIG. 2 is a first side view thereof.

FIG. 3 is a second side view thereof.

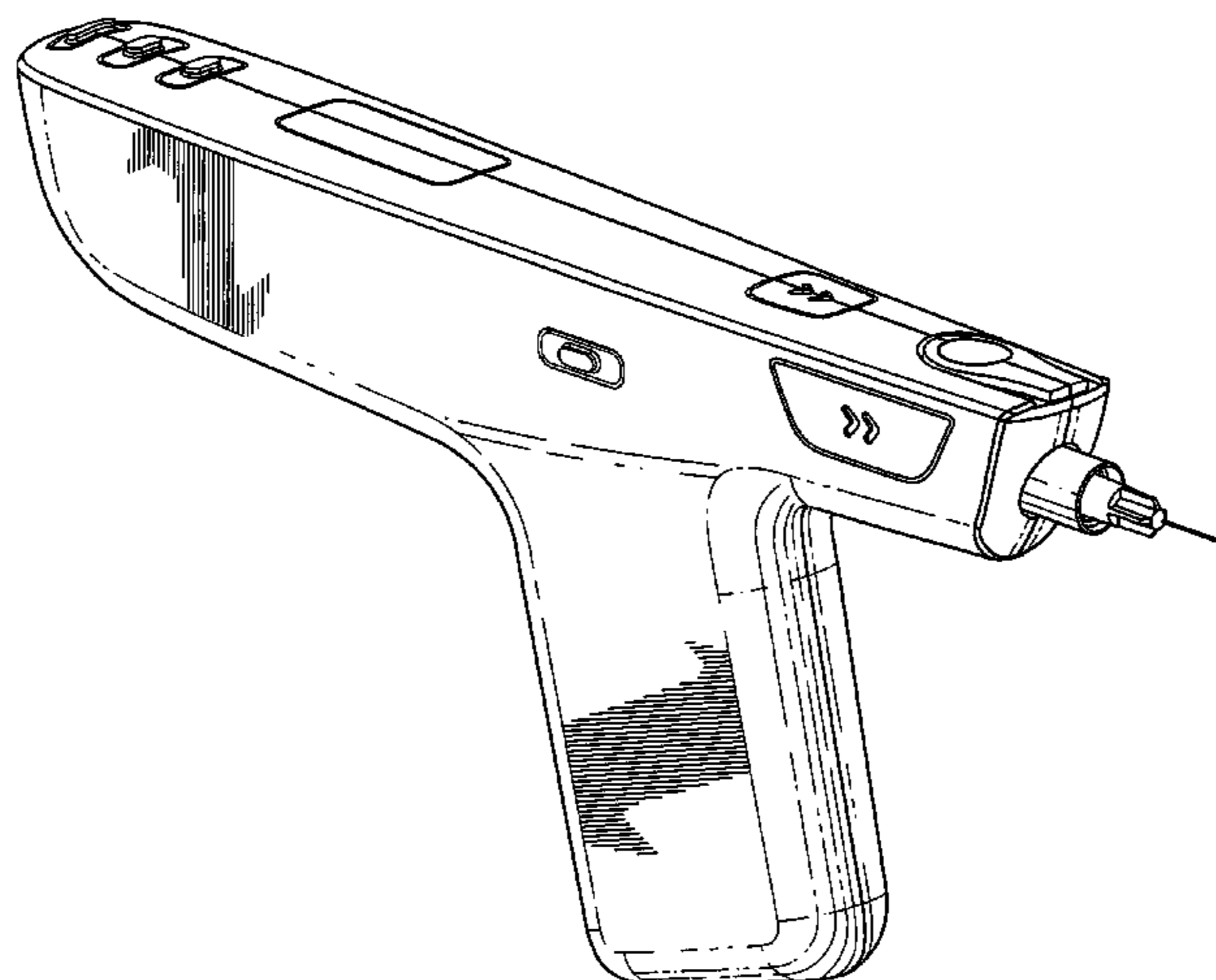
FIG. 4 is a top view thereof.

FIG. 5 is a bottom view thereof.

FIG. 6 is a front view thereof; and,

FIG. 7 is a back view thereof.

**1 Claim, 5 Drawing Sheets**



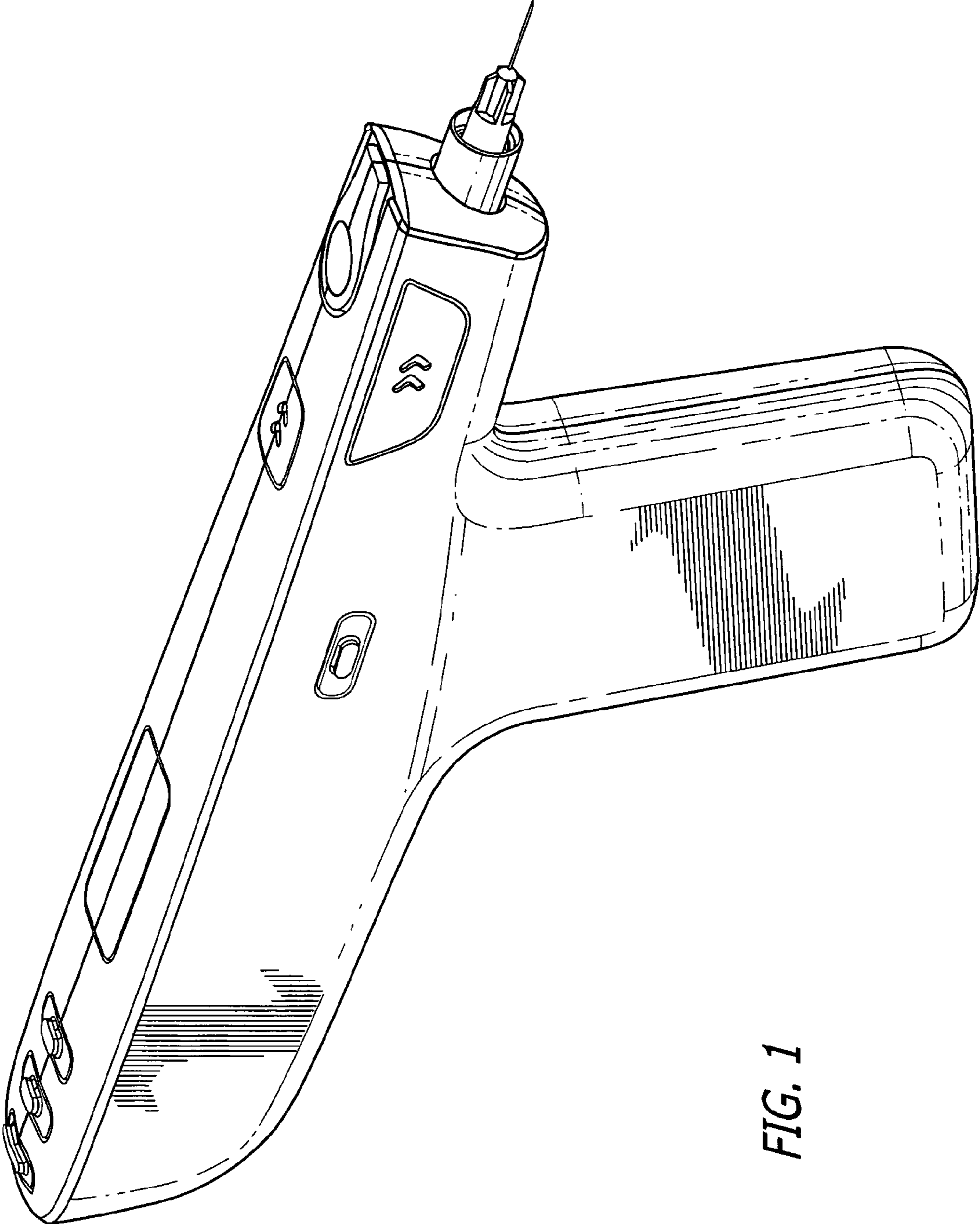


FIG. 1

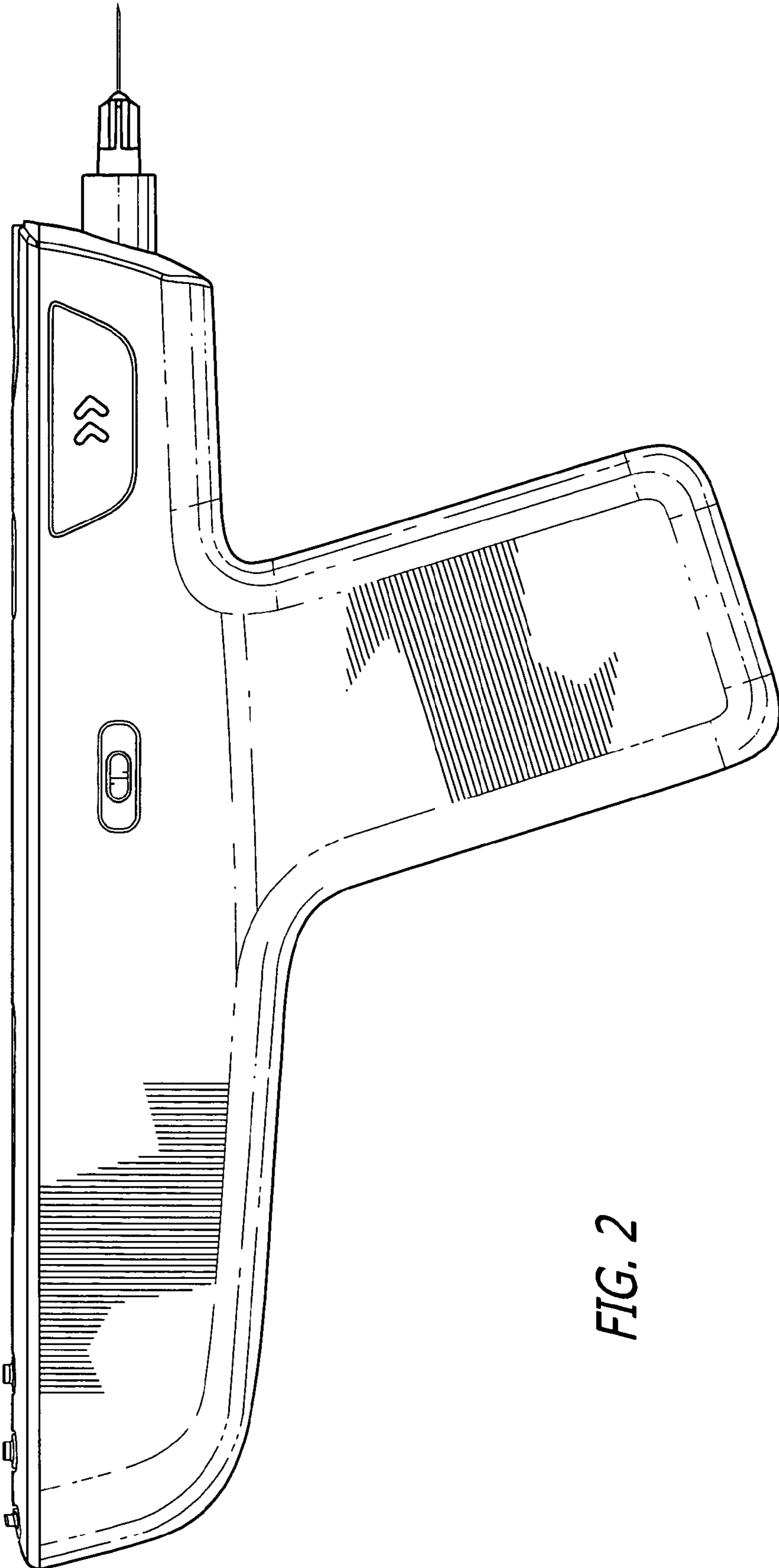


FIG. 2

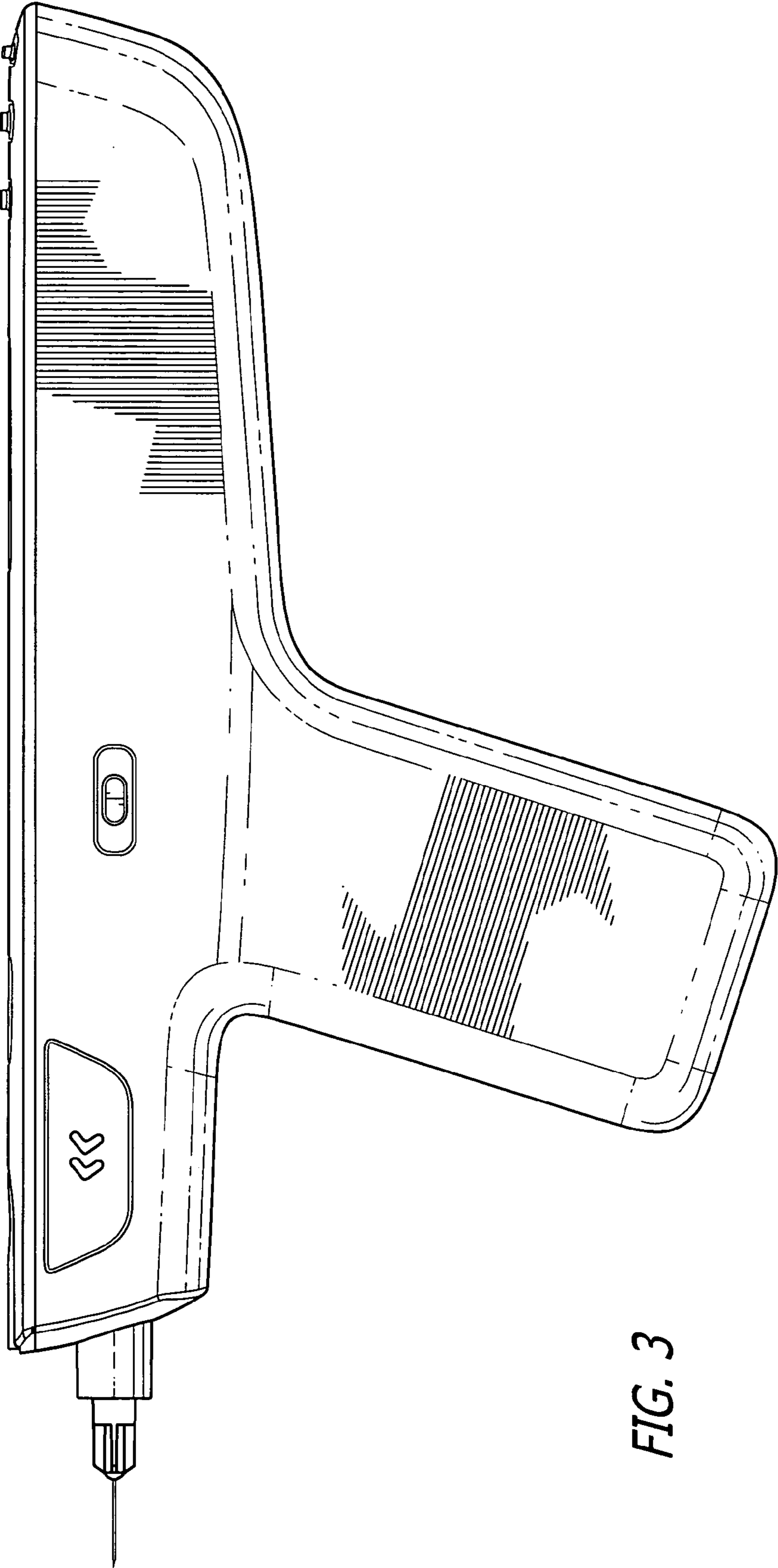


FIG. 3

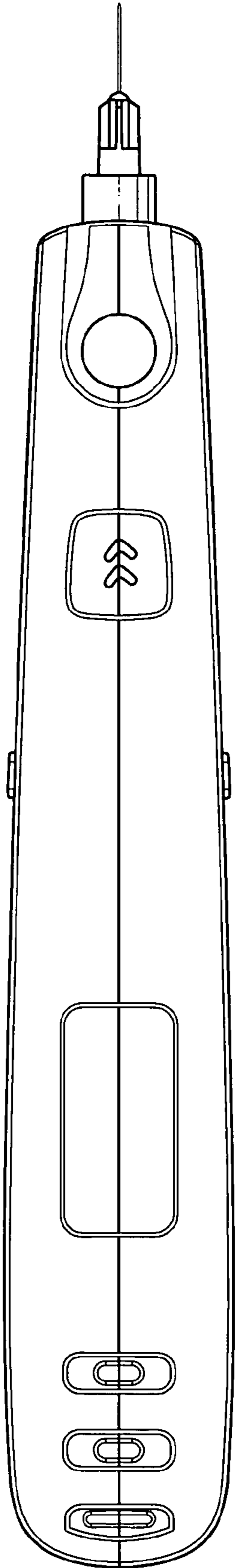


FIG. 4

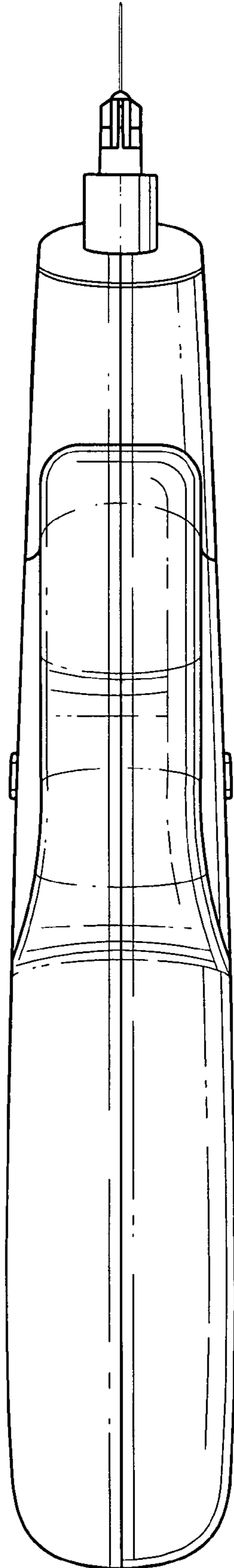


FIG. 5

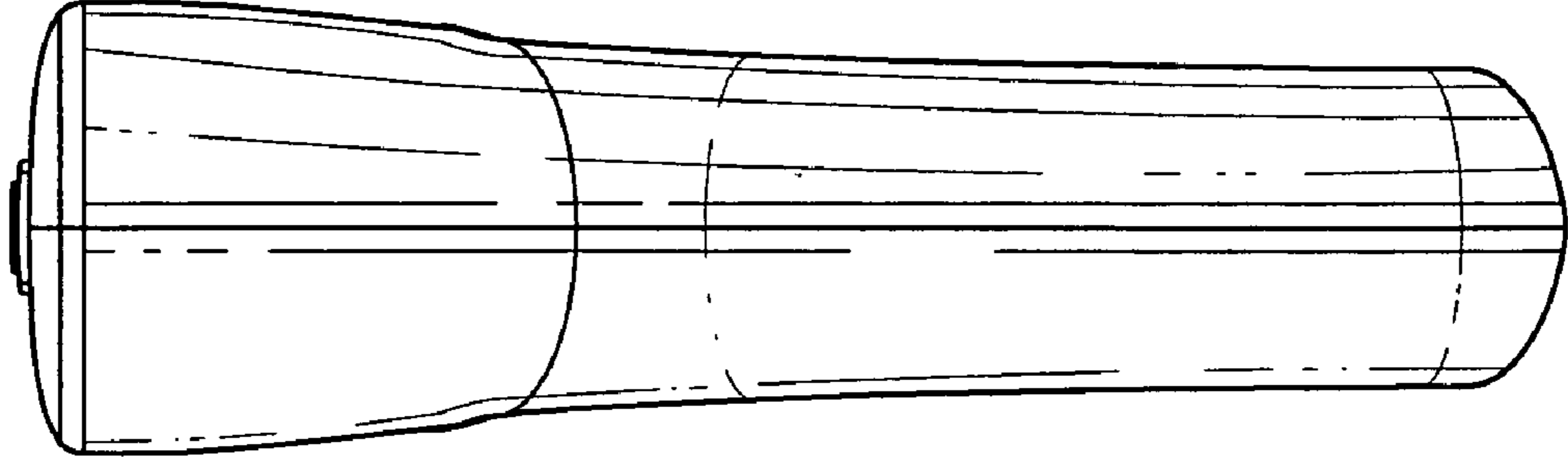


FIG. 7

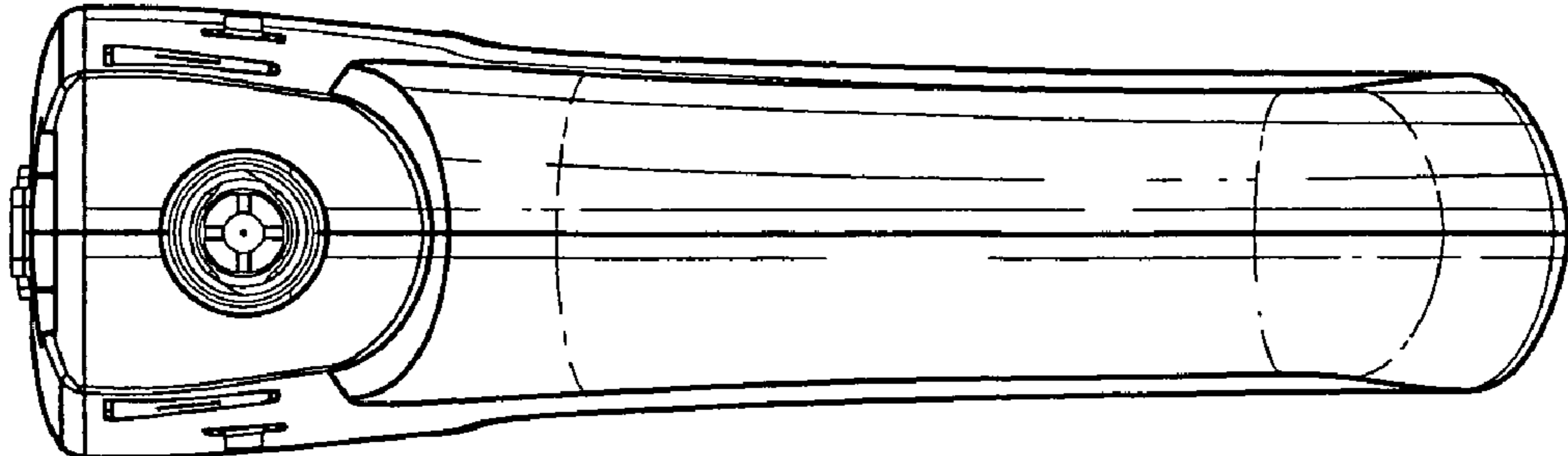


FIG. 6