



US00D593676S

(12) **United States Design Patent**
Locke et al.

(10) **Patent No.:** **US D593,676 S**
(45) **Date of Patent:** **** Jun. 2, 2009**

(54) **CANISTER FOR A REDUCED PRESSURE TREATMENT SYSTEM**

(75) Inventors: **Christopher Brian Locke**,
Bournemouth (GB); **Aidan Marcus Tout**,
Nomansland (GB)

(73) Assignee: **KCI Licensing, Inc.**, San Antonio, TX
(US)

(**) Term: **14 Years**

(21) Appl. No.: **29/285,591**

(22) Filed: **Apr. 2, 2007**

Related U.S. Application Data

(63) Continuation-in-part of application No. 29/285,568,
filed on Apr. 1, 2007.

(51) **LOC (9) Cl.** **24-02**

(52) **U.S. Cl.** **D24/111**

(58) **Field of Classification Search** D24/108,
D24/111-112, 129, 169, 186, 121; 604/313,
604/317, 327, 543, 640, 151-155, 30, 35,
604/902, 131, 73, 290

See application file for complete search history.

(56) **References Cited**

U.S. PATENT DOCUMENTS

- D353,667 S * 12/1994 Tsubota et al. D24/111
- D374,931 S * 10/1996 Cesaroni et al. D24/169
- D380,546 S * 7/1997 Clegg et al. D24/111
- 6,358,239 B1 * 3/2002 Rake et al. 604/890.1
- D469,176 S * 1/2003 Hall et al. D24/111

- D478,984 S * 8/2003 Hall et al. D24/111
- D546,440 S * 7/2007 Burnside D24/108
- D557,803 S * 12/2007 Muri et al. D24/111
- D565,177 S * 3/2008 Locke et al. D24/111
- 2004/0006319 A1 * 1/2004 Lina et al. 604/304

* cited by examiner

Primary Examiner—Ian Simmons

Assistant Examiner—Wan Laymon

(74) *Attorney, Agent, or Firm*—Sonnenschein Nath &
Rosenthal LLP

(57) **CLAIM**

The ornamental design for a canister for a reduced pressure treatment system, as shown and described.

DESCRIPTION

FIG. 1 is a top and right side perspective view of a canister for a reduced pressure treatment system showing our new design;

FIG. 2 is a top and left side perspective view thereof;

FIG. 3 is a top and rear perspective view of FIG. 1;

FIG. 4 is a top and rear perspective view of FIG. 2;

FIG. 5 is a top view thereof;

FIG. 6 is a bottom view thereof;

FIG. 7 is a right side view thereof;

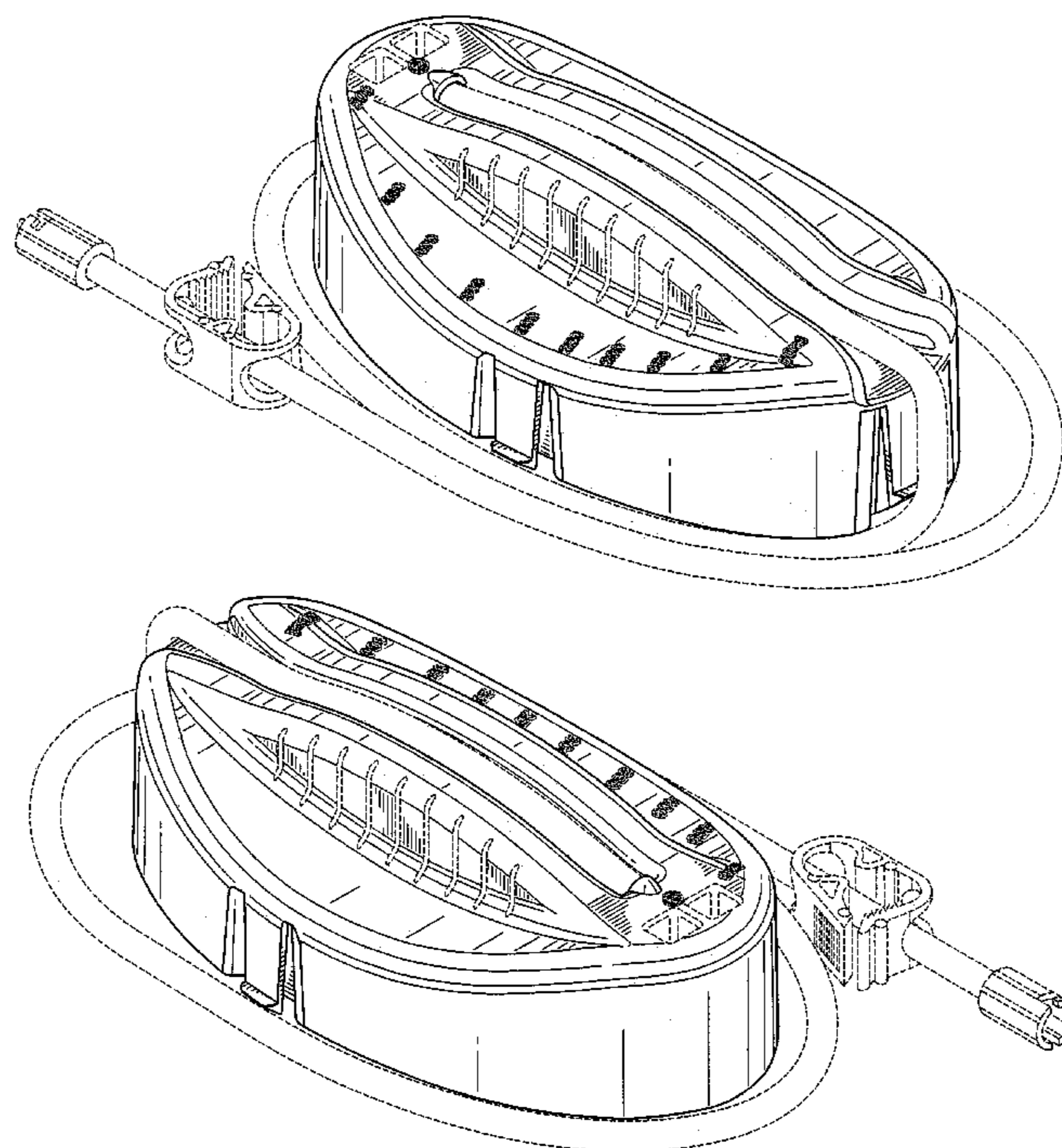
FIG. 8 is a left side view thereof;

FIG. 9 is a right end view thereof; and,

FIG. 10 is a left end view thereof.

The broken lines illustrated in the drawings are for illustrative purposes only and form no part of the claimed design.

1 Claim, 8 Drawing Sheets



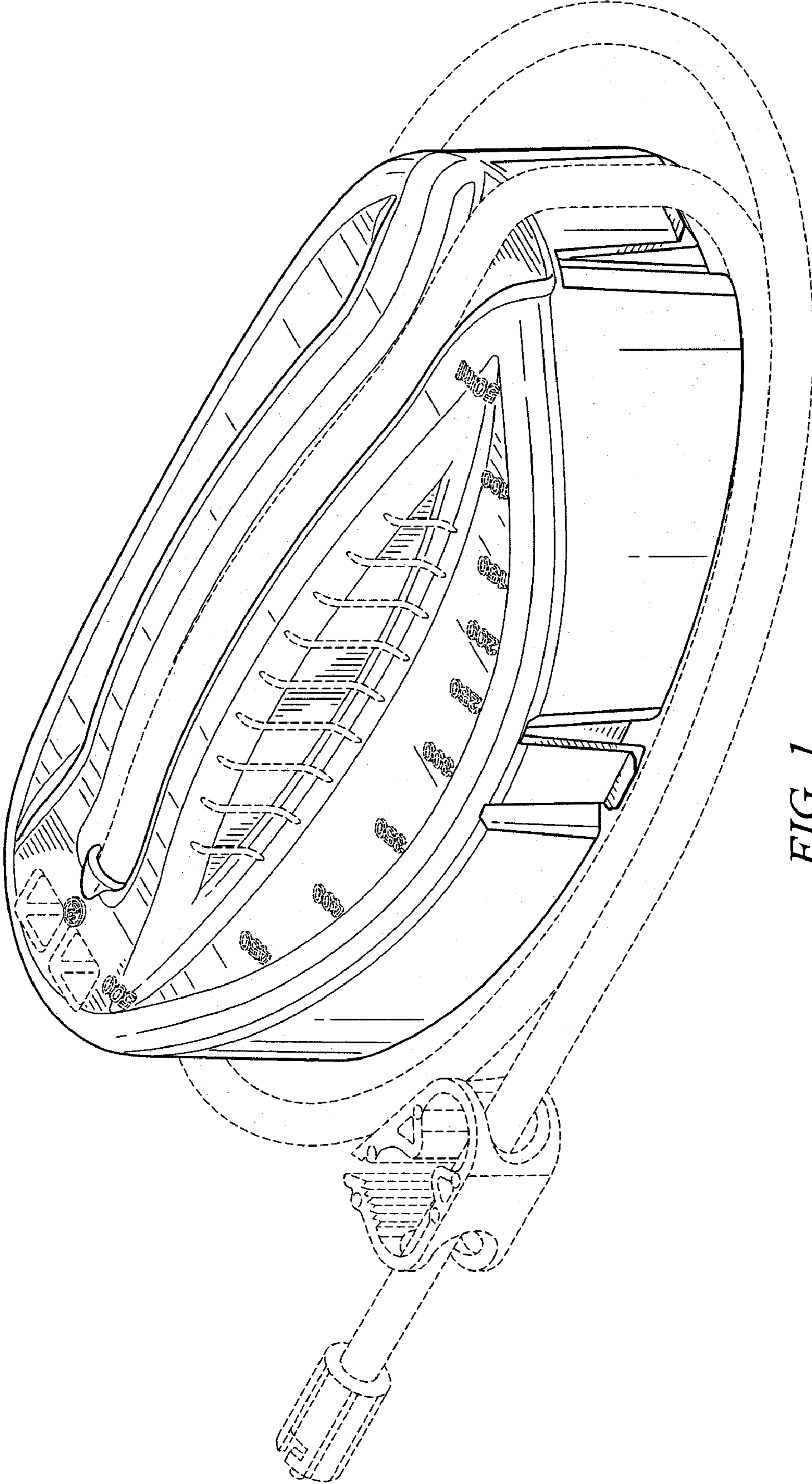
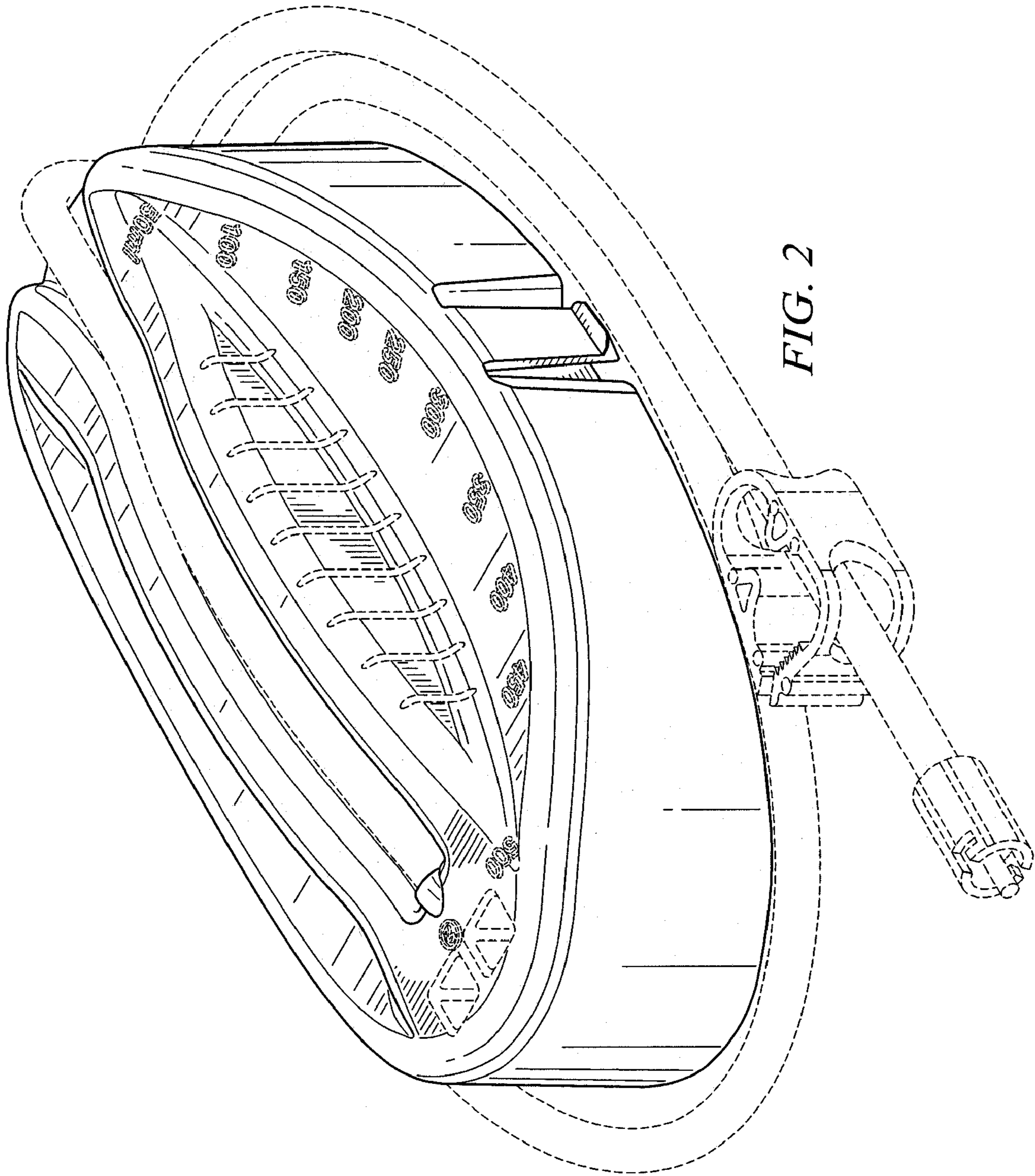
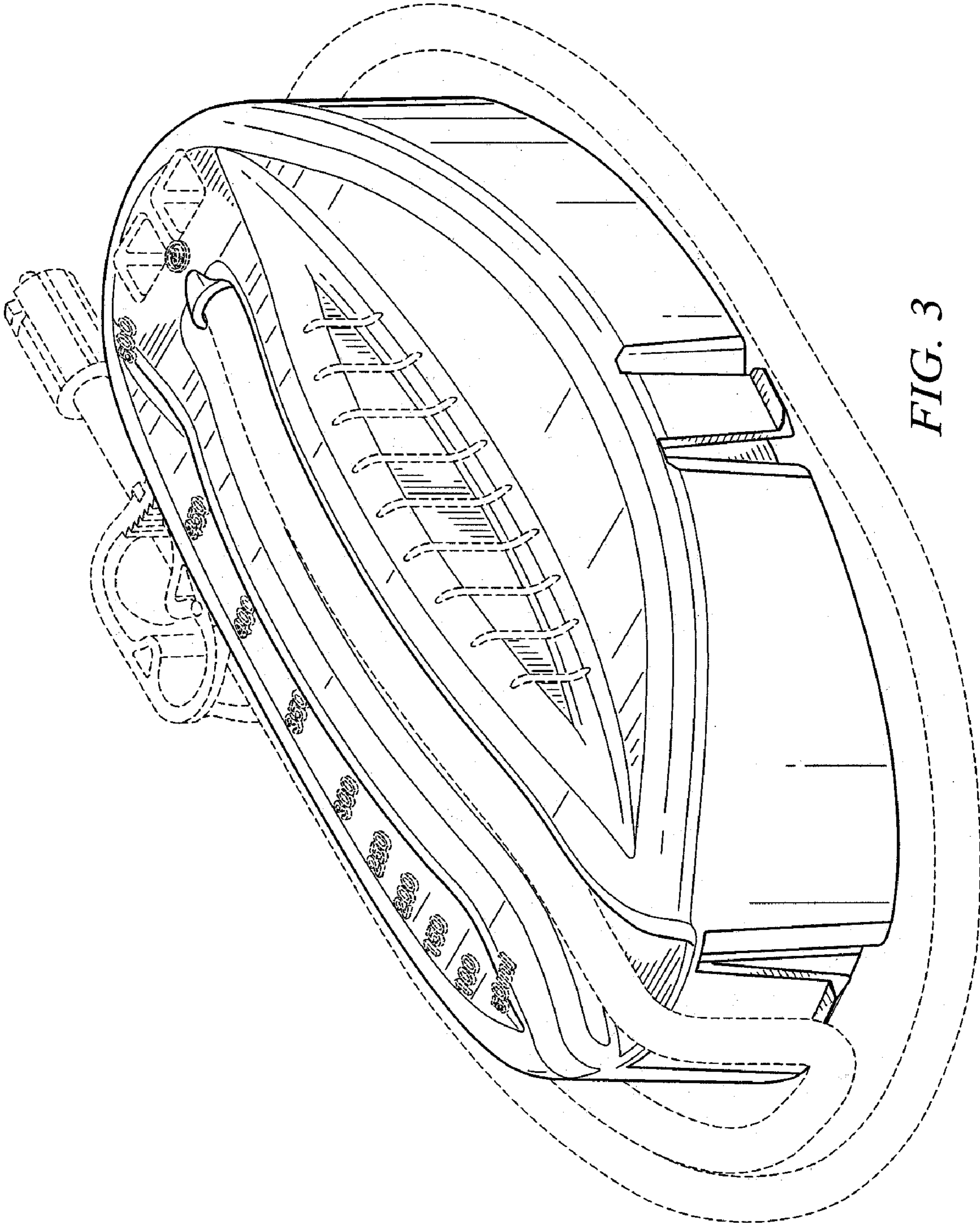


FIG. 1





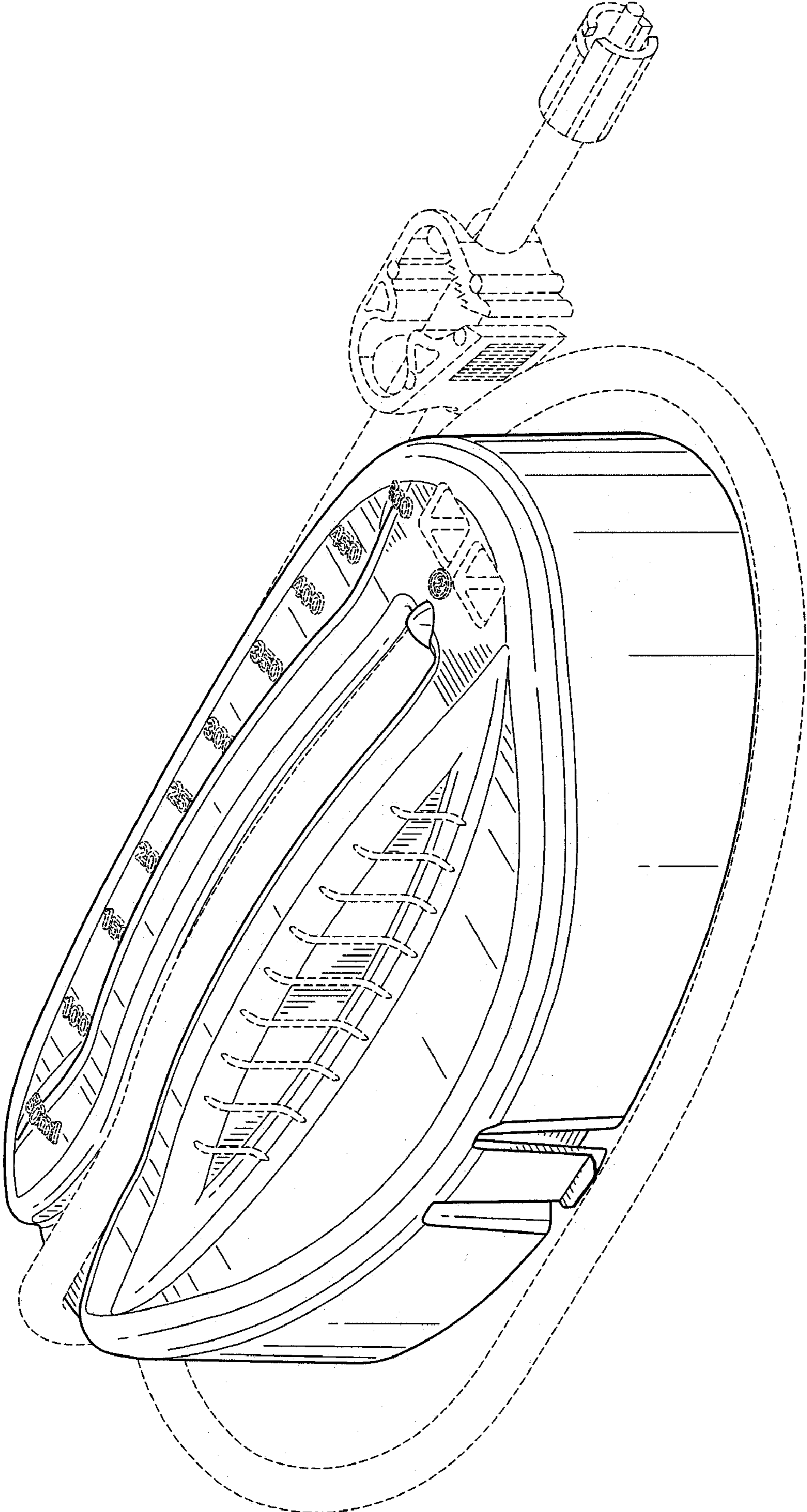
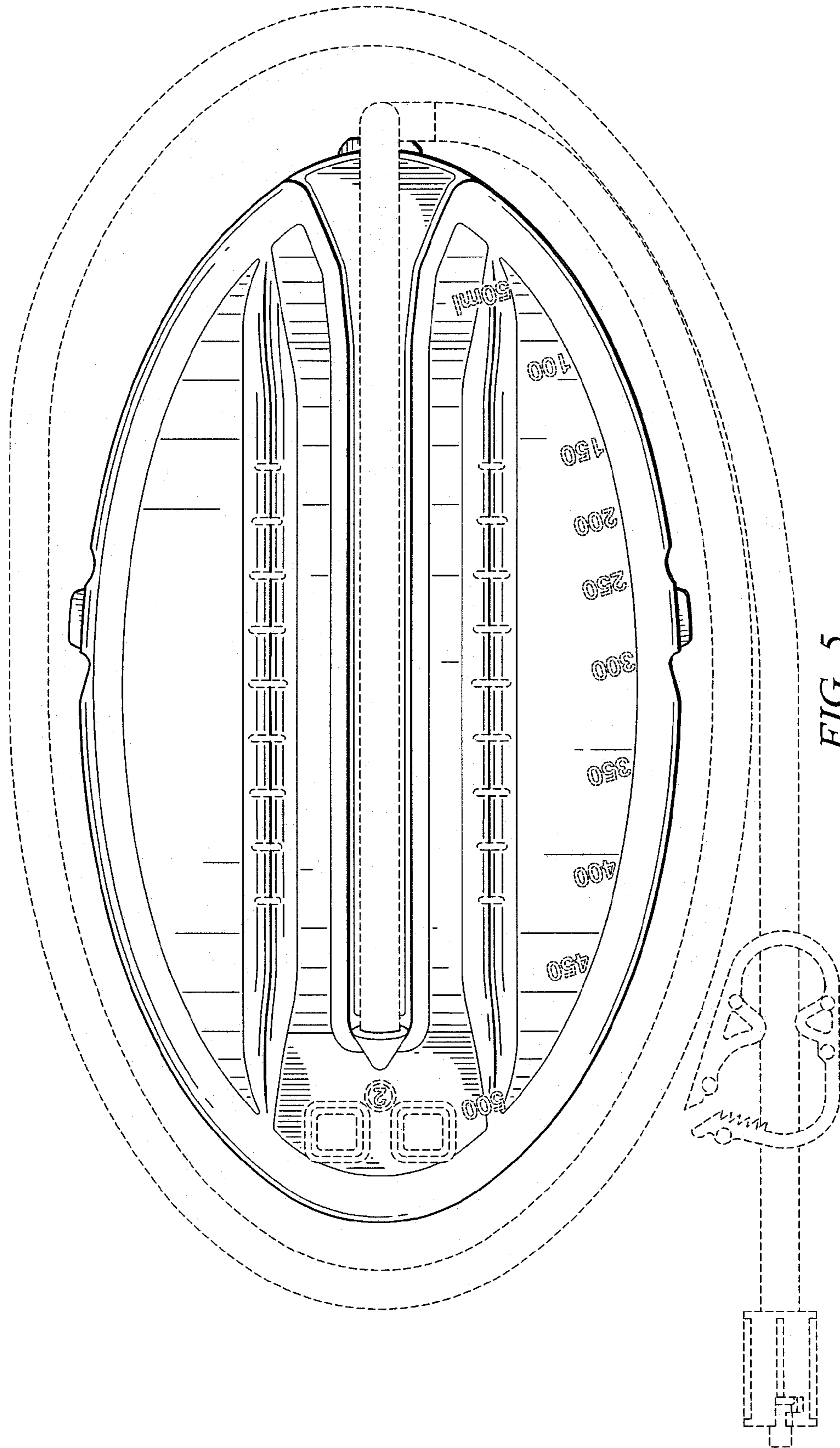


FIG. 4



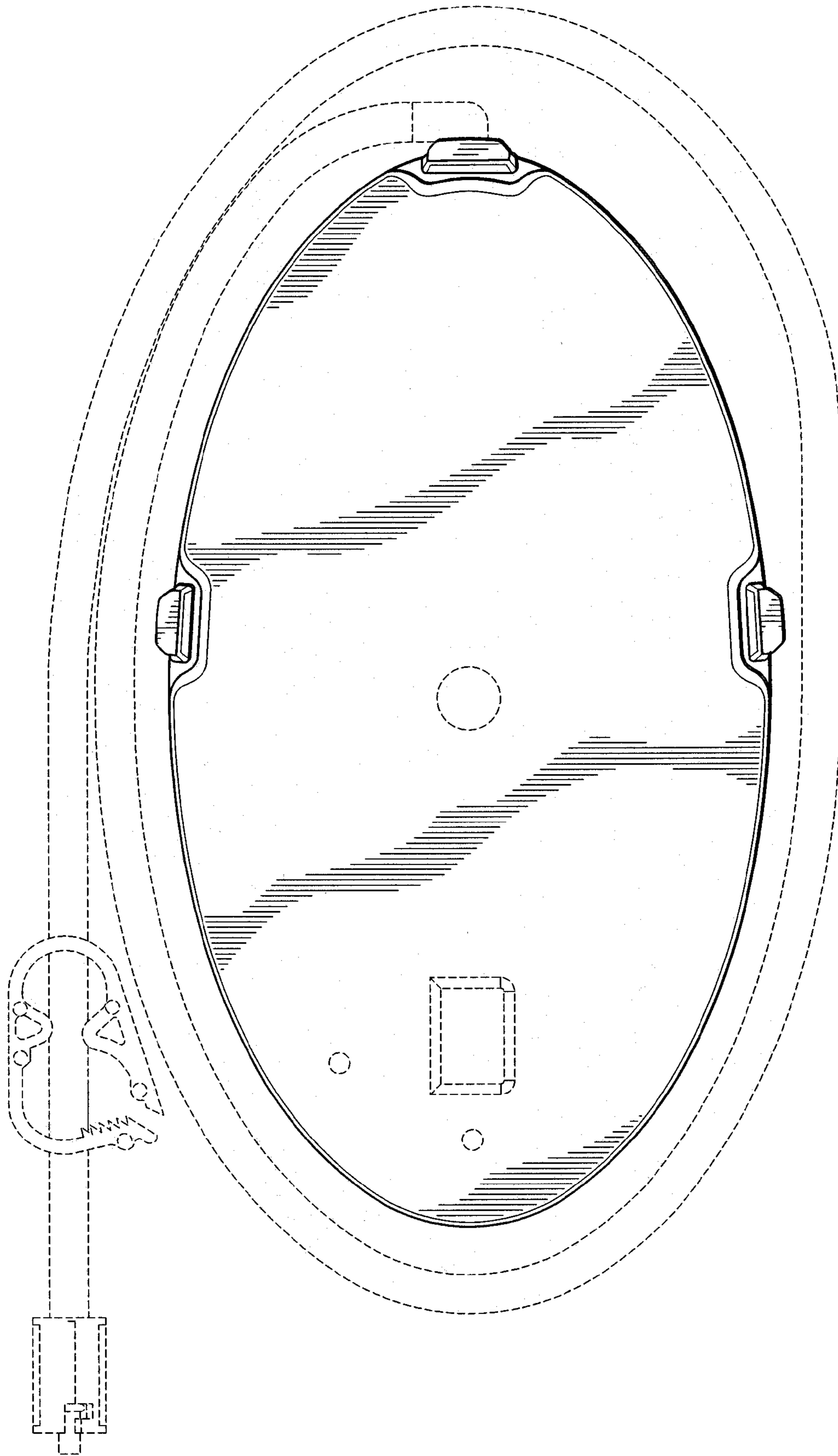


FIG. 6

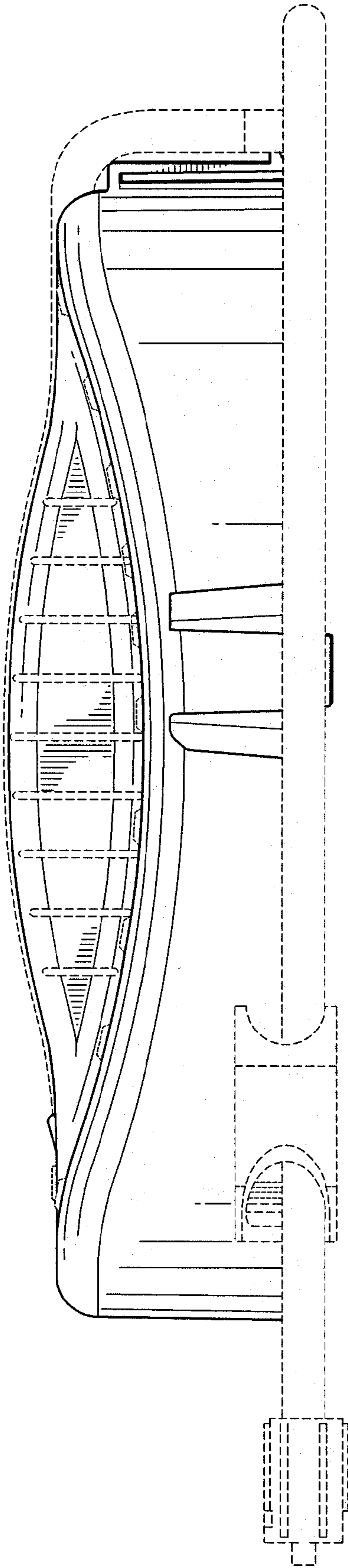


FIG. 7

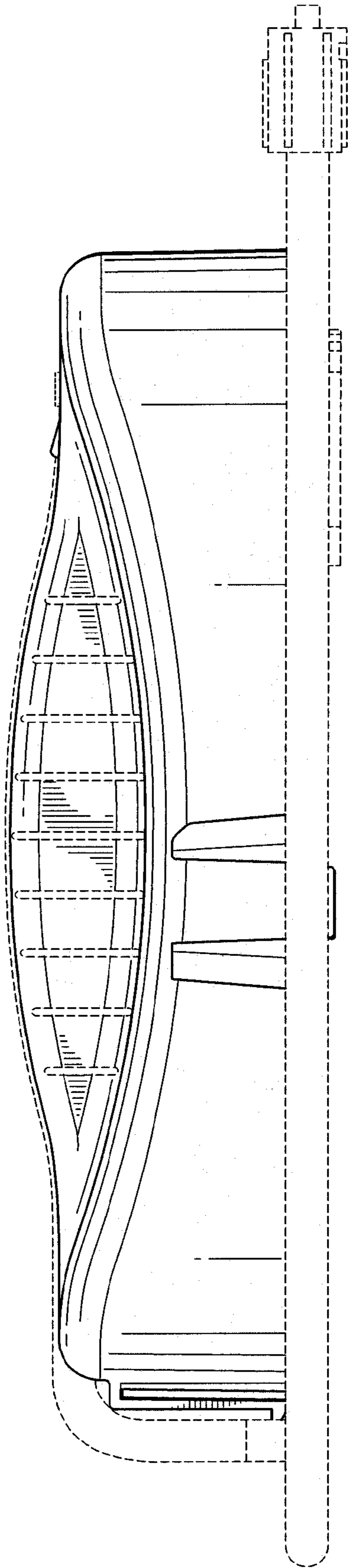


FIG. 8

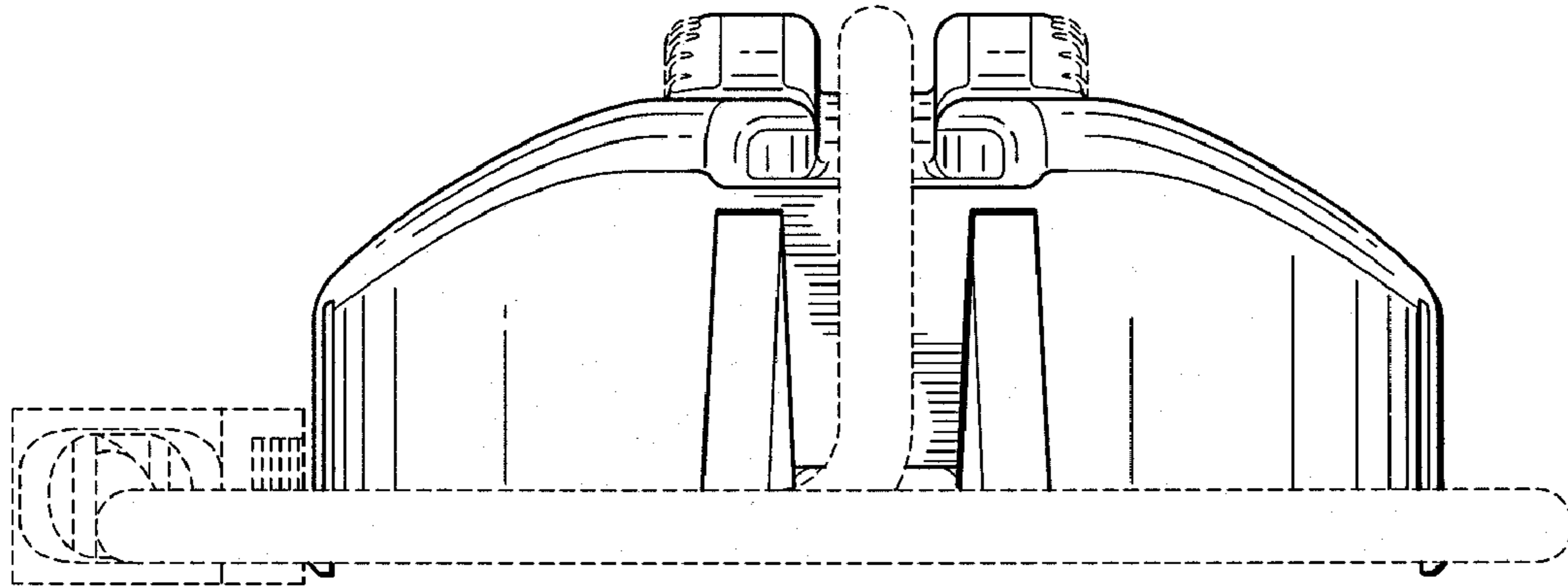


FIG. 9

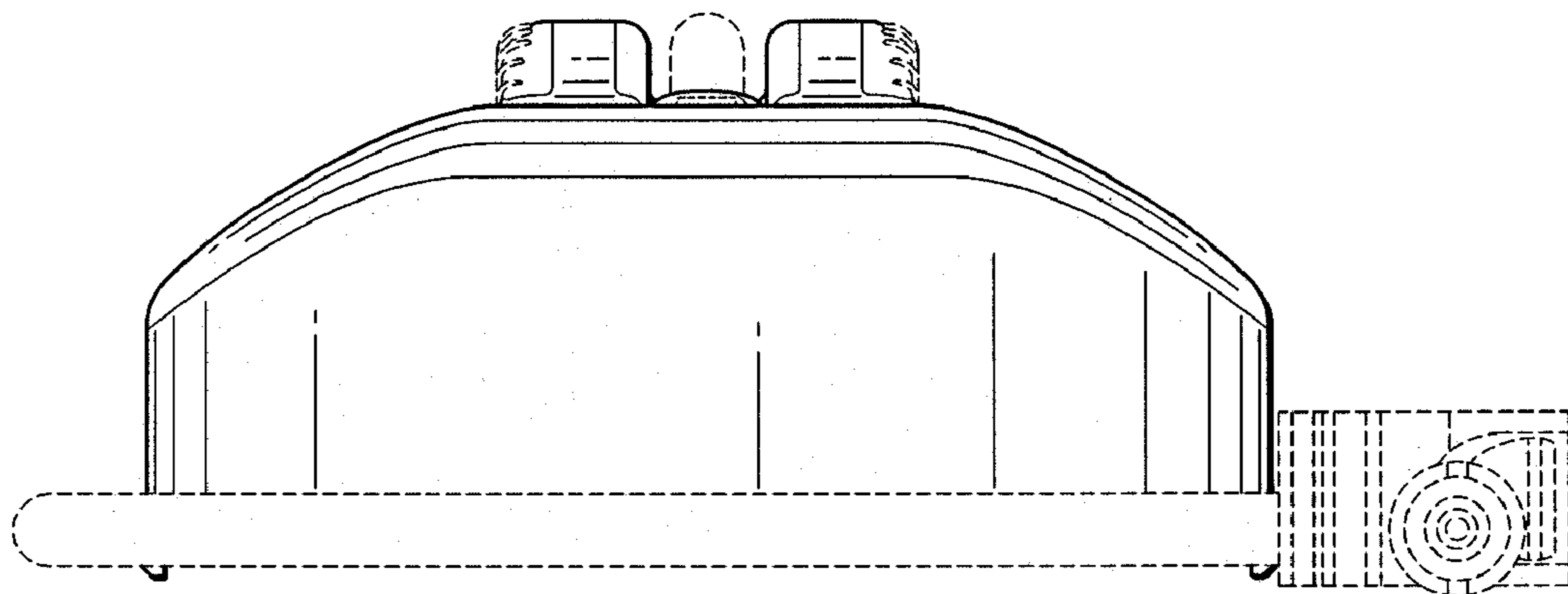


FIG. 10