



US00D593675S

(12) **United States Design Patent**
Brambilla et al.

(10) **Patent No.:** **US D593,675 S**
(45) **Date of Patent:** **** Jun. 2, 2009**

(54) **RESPIRATORY MASK**

(75) Inventors: **Enrico Brambilla**, Drummoyne (AU);
Renee Frances Doherty, Coogee (AU);
Philip John Gunning, North Rocks
(AU); **Michiel Kooij**, Camperdown
(AU); **Philip Rodney Kwok**, Chatswood
(AU)

(73) Assignee: **ResMed Limited**, Bella Vista (AU)

(**) Term: **14 Years**

(21) Appl. No.: **29/294,076**

(22) Filed: **Dec. 21, 2007**

(30) **Foreign Application Priority Data**

Jun. 22, 2007 (AU) 18715/2007

(51) **LOC (9) Cl.** **29-02**

(52) **U.S. Cl.** **D24/110.1**

(58) **Field of Classification Search** D24/110.1,
D24/110.4, 110.5, 164; 128/206.21, 204.18,
128/207.12, 207.13, 205.25, 206.26, 206.24,
128/207.11, 207.17

See application file for complete search history.

(56) **References Cited**

U.S. PATENT DOCUMENTS

D322,318 S 12/1991 Sullivan
5,570,689 A 11/1996 Starr et al.
D443,355 S * 6/2001 Gunaratnam et al. D24/110.4
D468,421 S * 1/2003 Smart D24/110.1
6,532,961 B1 * 3/2003 Kwok et al. 128/206.21

D486,907 S * 2/2004 Guney et al. D24/110.1
D495,992 S * 9/2004 Lim D24/110.1
7,159,587 B2 1/2007 Drew et al.
D576,271 S * 9/2008 Gunaratnam et al. D24/110.1
2008/0066757 A1 * 3/2008 Stallard et al. 128/205.25

* cited by examiner

Primary Examiner—Ian Simmons

Assistant Examiner—Christopher Lee

(74) *Attorney, Agent, or Firm*—Nixon & Vanderhye P.C.

(57) **CLAIM**

The ornamental design for a respiratory mask, as shown and described.

DESCRIPTION

FIG. 1 is a front perspective view of a respiratory mask according to an embodiment of my/our design;

FIG. 2 is a reverse perspective view thereof;

FIG. 3 is a front view thereof;

FIG. 4 is a rear view thereof;

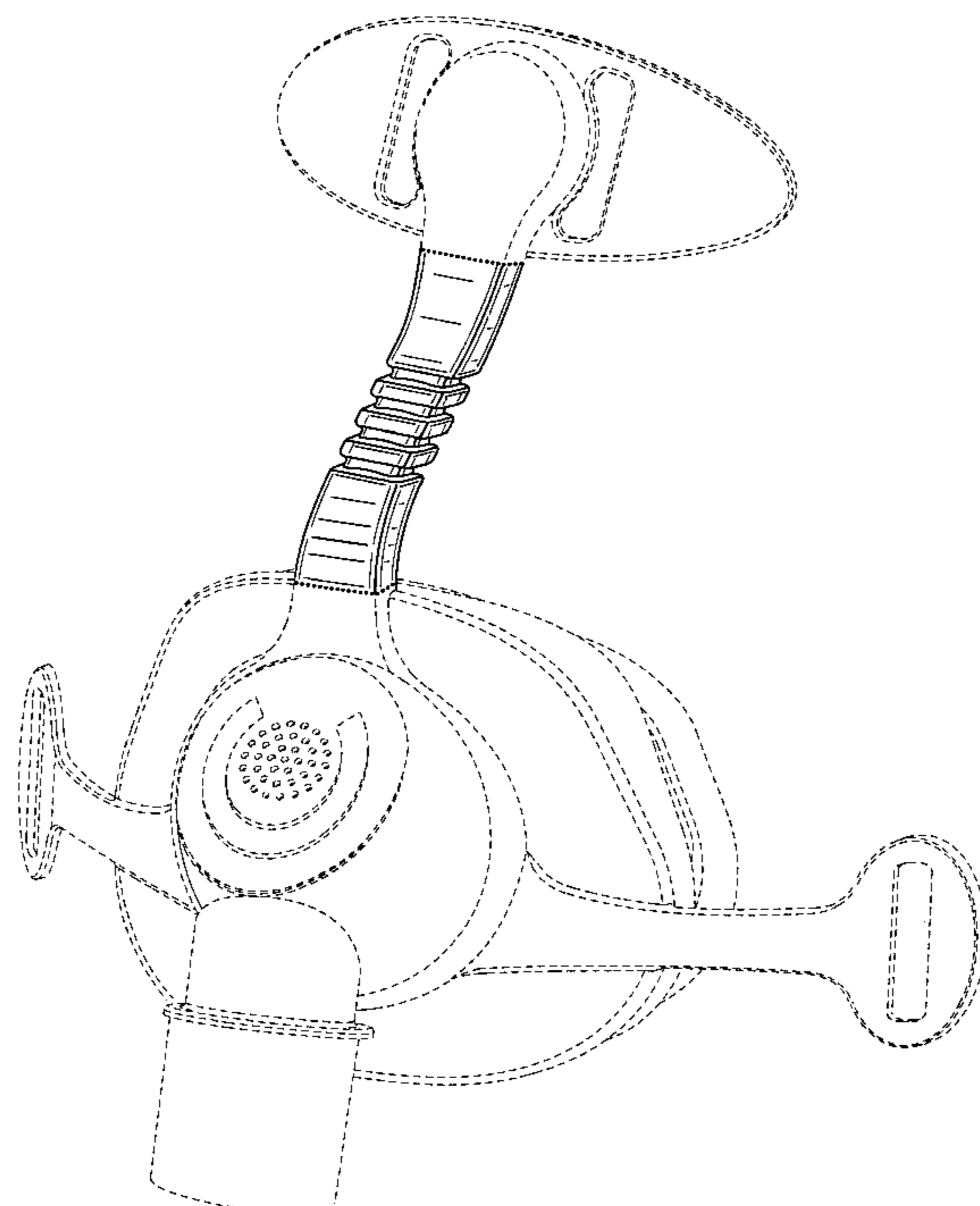
FIG. 5 is a top view thereof; and,

FIG. 6 is a right side view thereof, with the left side view being a mirror image.

Where included, broken lines showing environment or structure are for illustrative purposes and form no part of the claimed design.

Where included, dotted lines indicate the border between claimed and unclaimed subject matter and form no part of the claimed design.

1 Claim, 6 Drawing Sheets



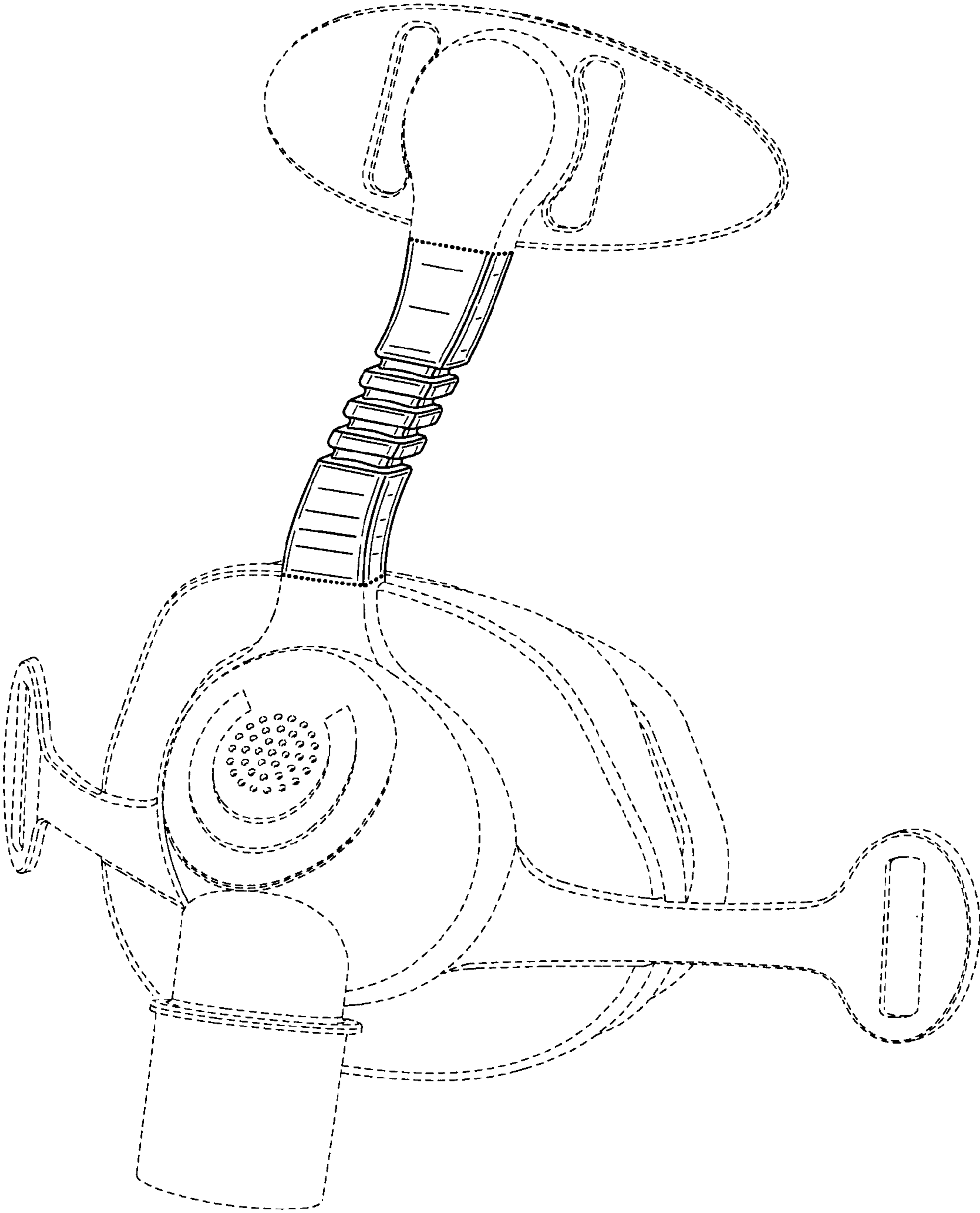


Figure 1

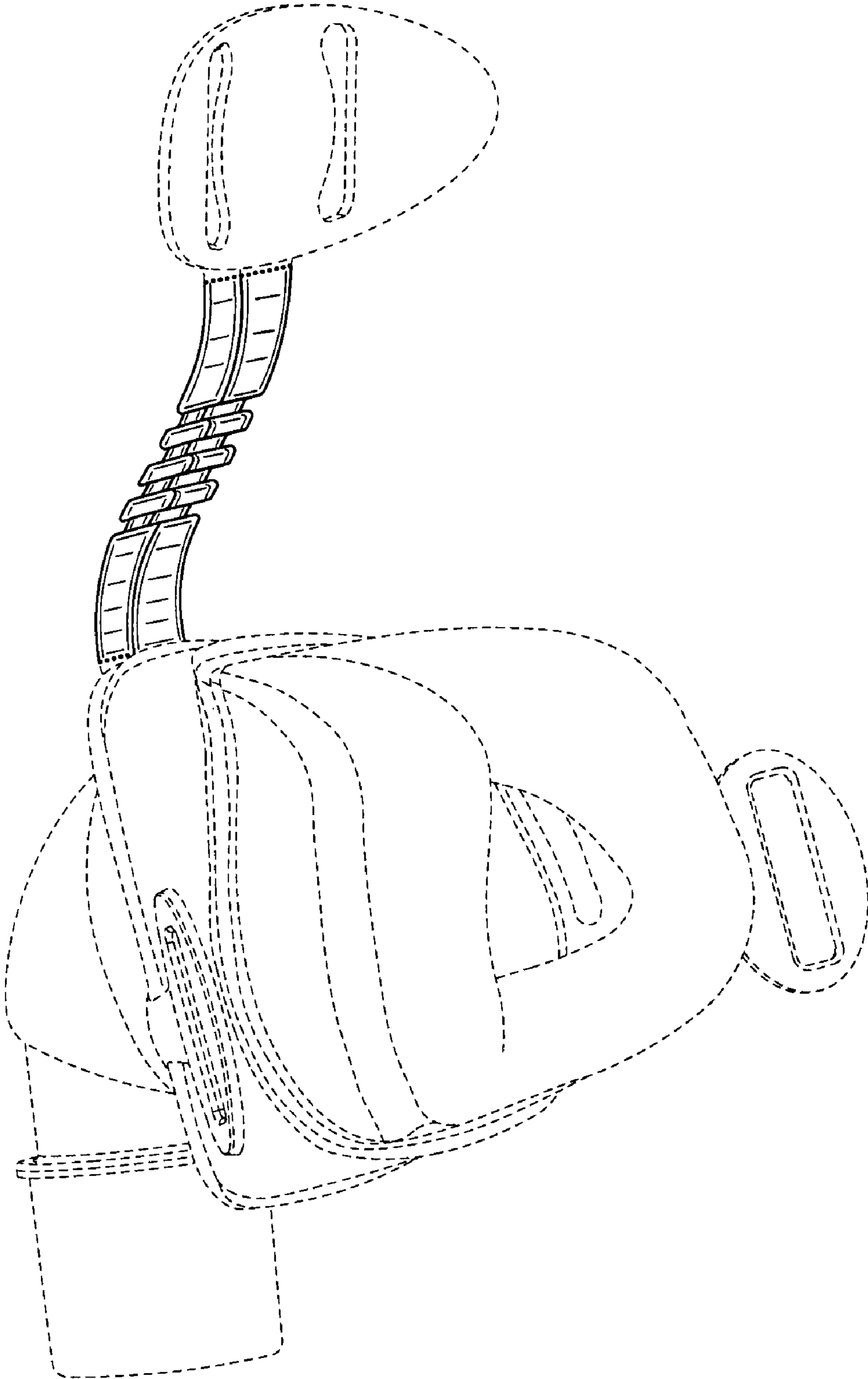


Figure 2

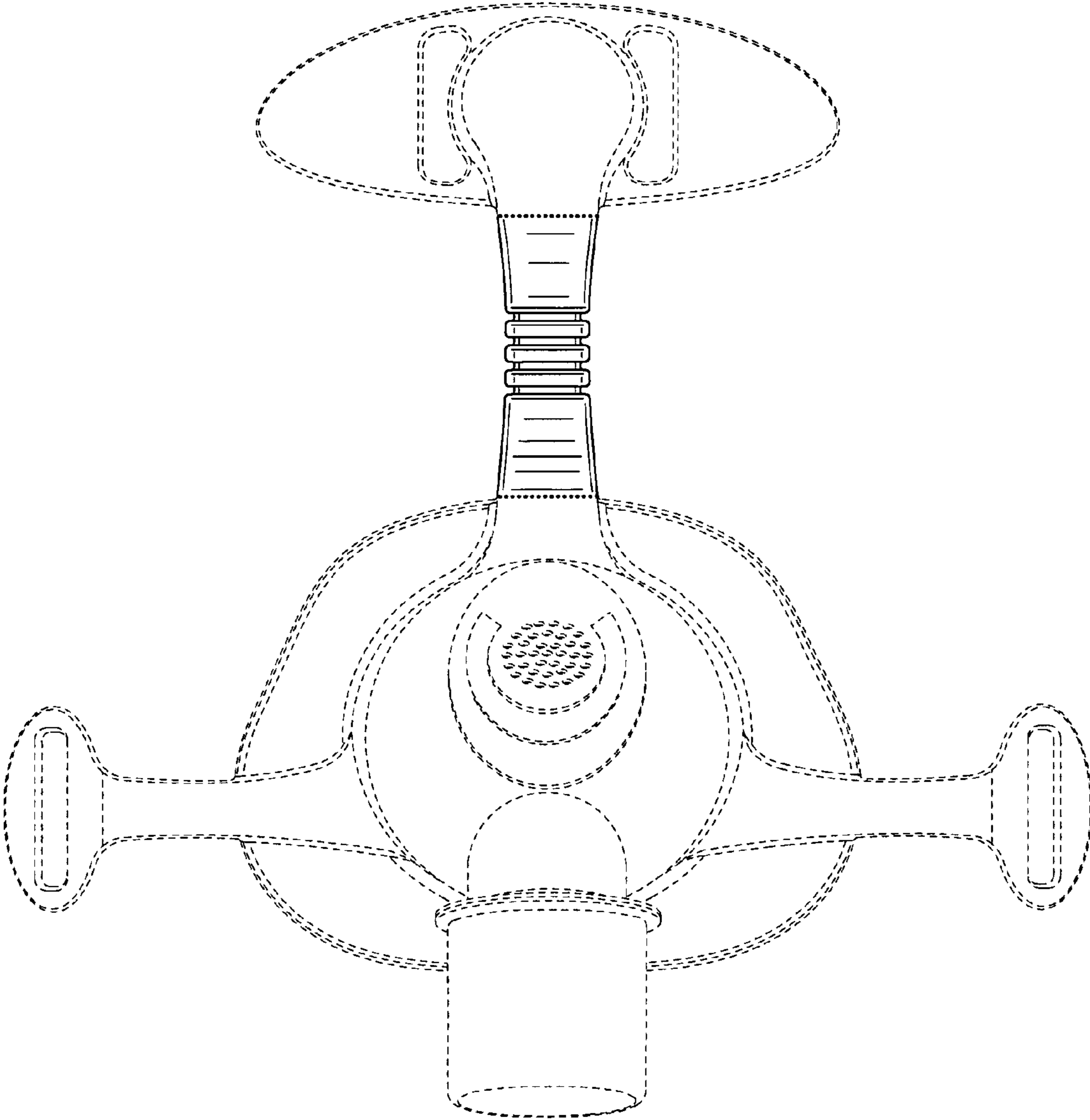


Figure 3

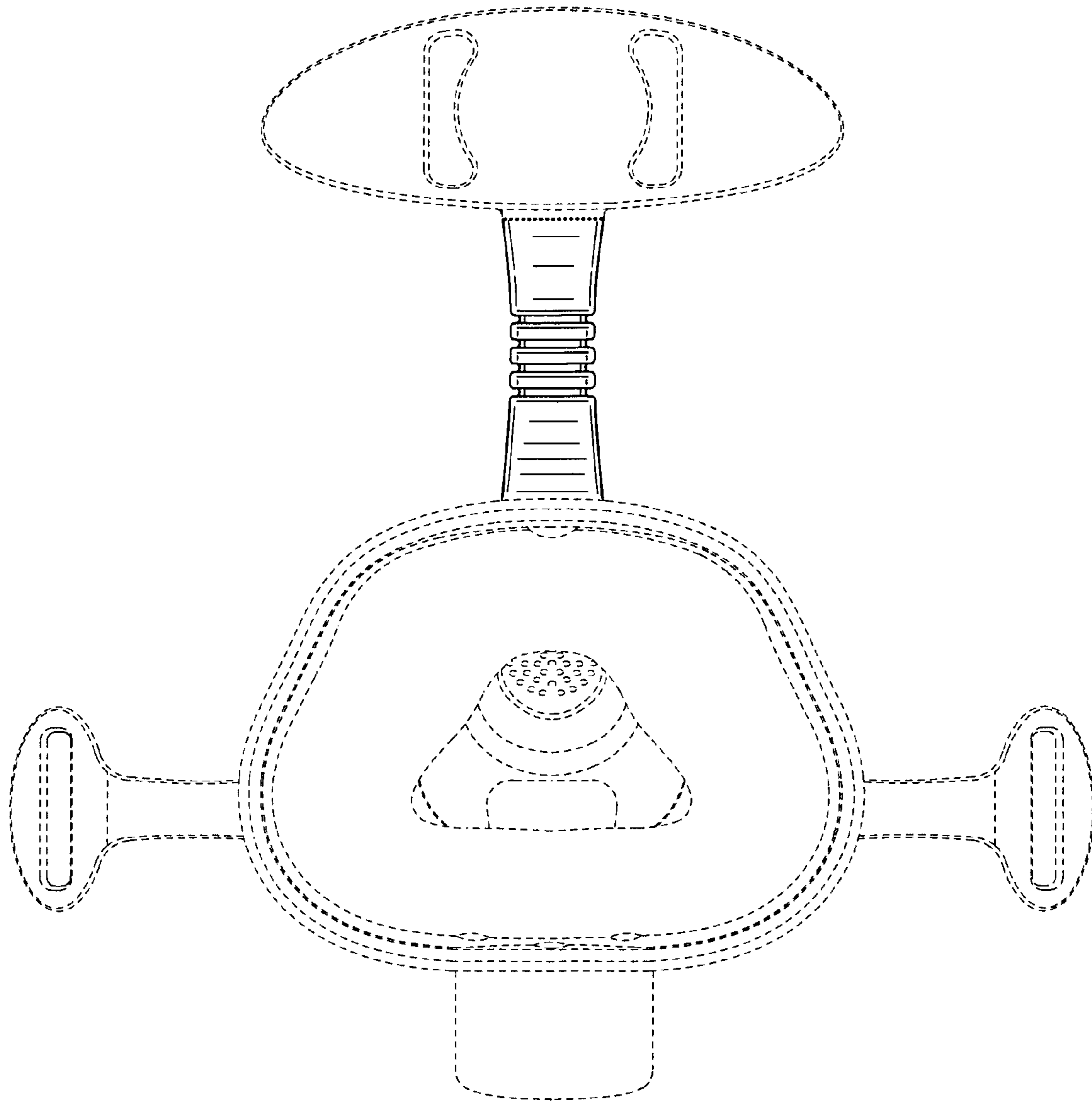


Figure 4

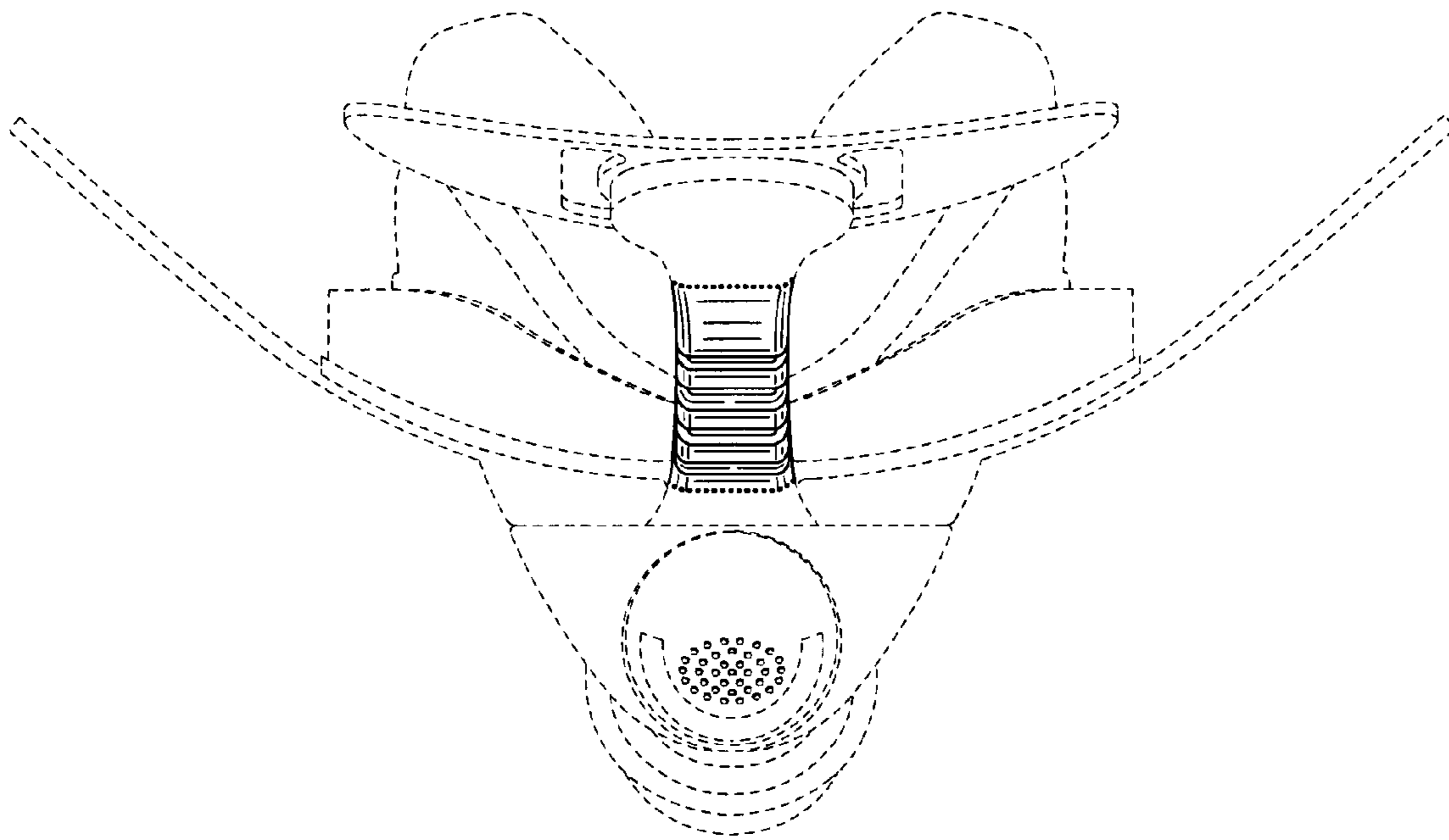


Figure 5

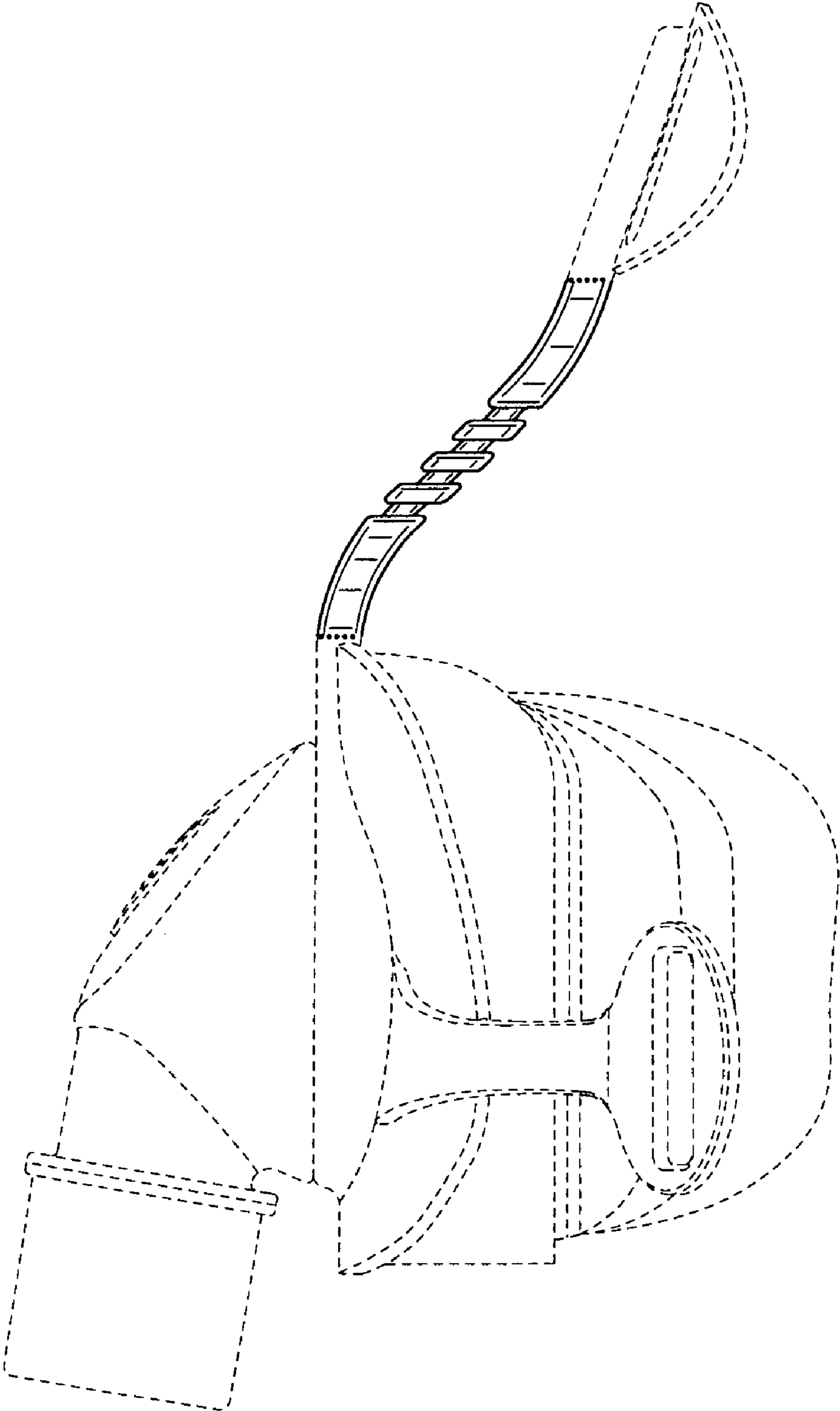


Figure 6