



US00D593674S

(12) **United States Design Patent**
Fedenia et al.

(10) **Patent No.:** **US D593,674 S**
(45) **Date of Patent:** **** *Jun. 2, 2009**

(54) **HANDLE FOR SURGICAL SUCTION-IRRIGATION DEVICE**
(75) Inventors: **Adam S. Fedenia**, Libertyville, IL (US);
Peter L. Visconti, Gurnee, IL (US);
Michael J. Milella, Jr., Schaumburg, IL (US)

(73) Assignee: **Allegiance Corporation**, McGaw Park, IL (US)

(*) Notice: This patent is subject to a terminal disclaimer.

(**) Term: **14 Years**

(21) Appl. No.: **29/239,159**

(22) Filed: **Sep. 27, 2005**

(51) **LOC (9) Cl.** **24-01**

(52) **U.S. Cl.** **D24/108; D24/133**

(58) **Field of Classification Search** D24/108–109,
D24/112, 138, 114, 144; 601/160–161; 600/131,
600/156; 604/33, 38, 118–119, 34, 39, 153,
604/161, 902, 250

See application file for complete search history.

(56) **References Cited**

U.S. PATENT DOCUMENTS

5,348,555 A * 9/1994 Zinnanti 604/33
5,447,494 A * 9/1995 Dorsey, III 604/118
5,607,391 A * 3/1997 Klinger et al. 604/33

6,652,488 B1 * 11/2003 Cover et al. 604/118
D548,327 S * 8/2007 Fedenia et al. D24/108
D548,328 S * 8/2007 Fedenia et al. D24/108
D553,242 S * 10/2007 Fedenia et al. D24/108
2007/0106204 A1 * 5/2007 Fedenia et al. 604/28
2007/0173760 A1 * 7/2007 Fedenia et al. 604/131

* cited by examiner

Primary Examiner—Ian Simmons

Assistant Examiner—Wan Laymon

(74) *Attorney, Agent, or Firm*—Arent Fox LLP

(57) **CLAIM**

The ornamental design for a handle for surgical suction-irrigation device, as shown and described.

DESCRIPTION

FIG. 1 is a perspective view of the handle for surgical suction-irrigation device showing our new design;

FIG. 2 is a right side view thereof;

FIG. 3 is a left side view thereof;

FIG. 4 is a top view thereof;

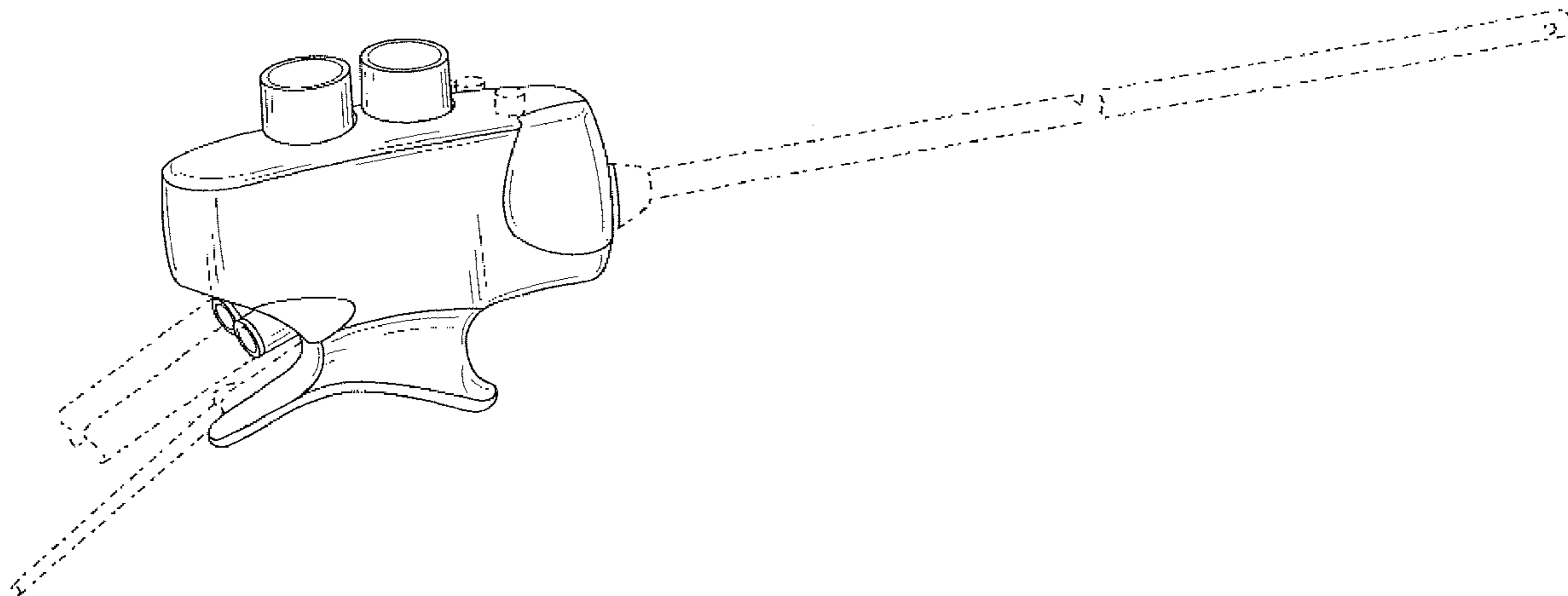
FIG. 5 is a bottom view thereof;

FIG. 6 is a front end view thereof; and,

FIG. 7 is a back end view thereof.

Portions of the drawings depicted using broken lines are for illustrative purposes only and do not form part of the claimed invention.

1 Claim, 4 Drawing Sheets



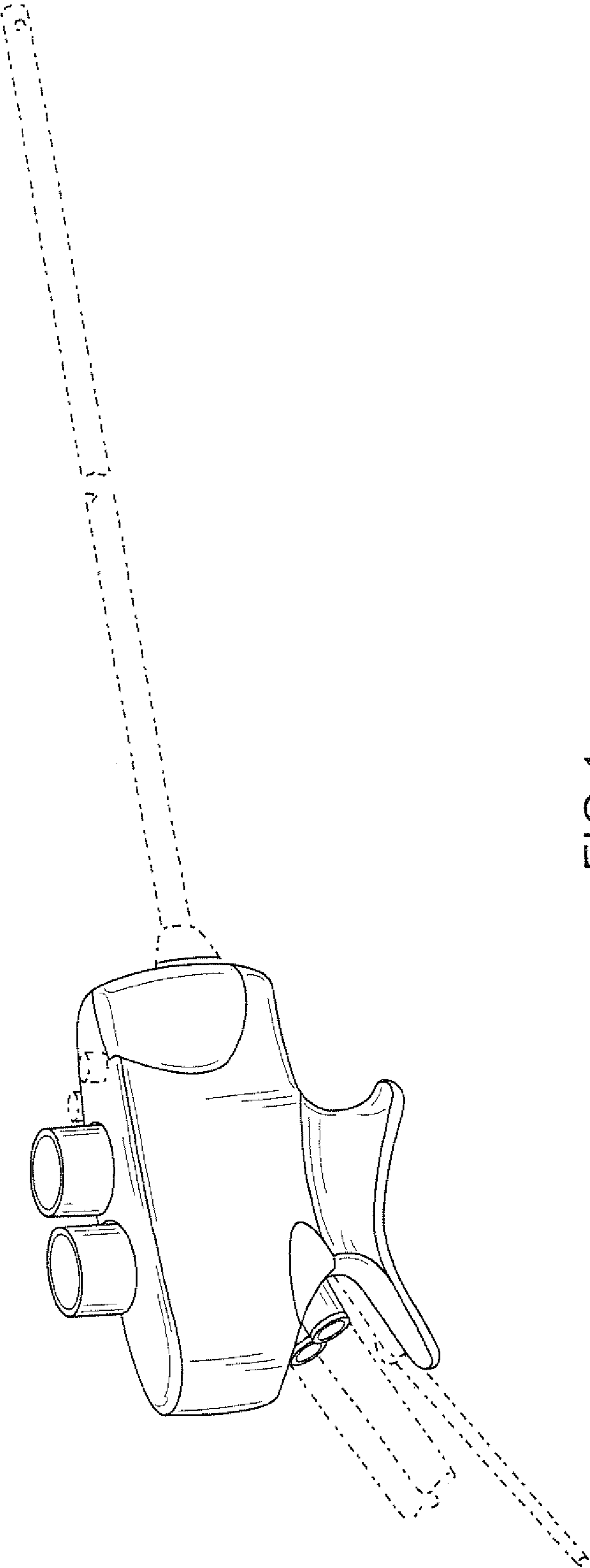


FIG.1

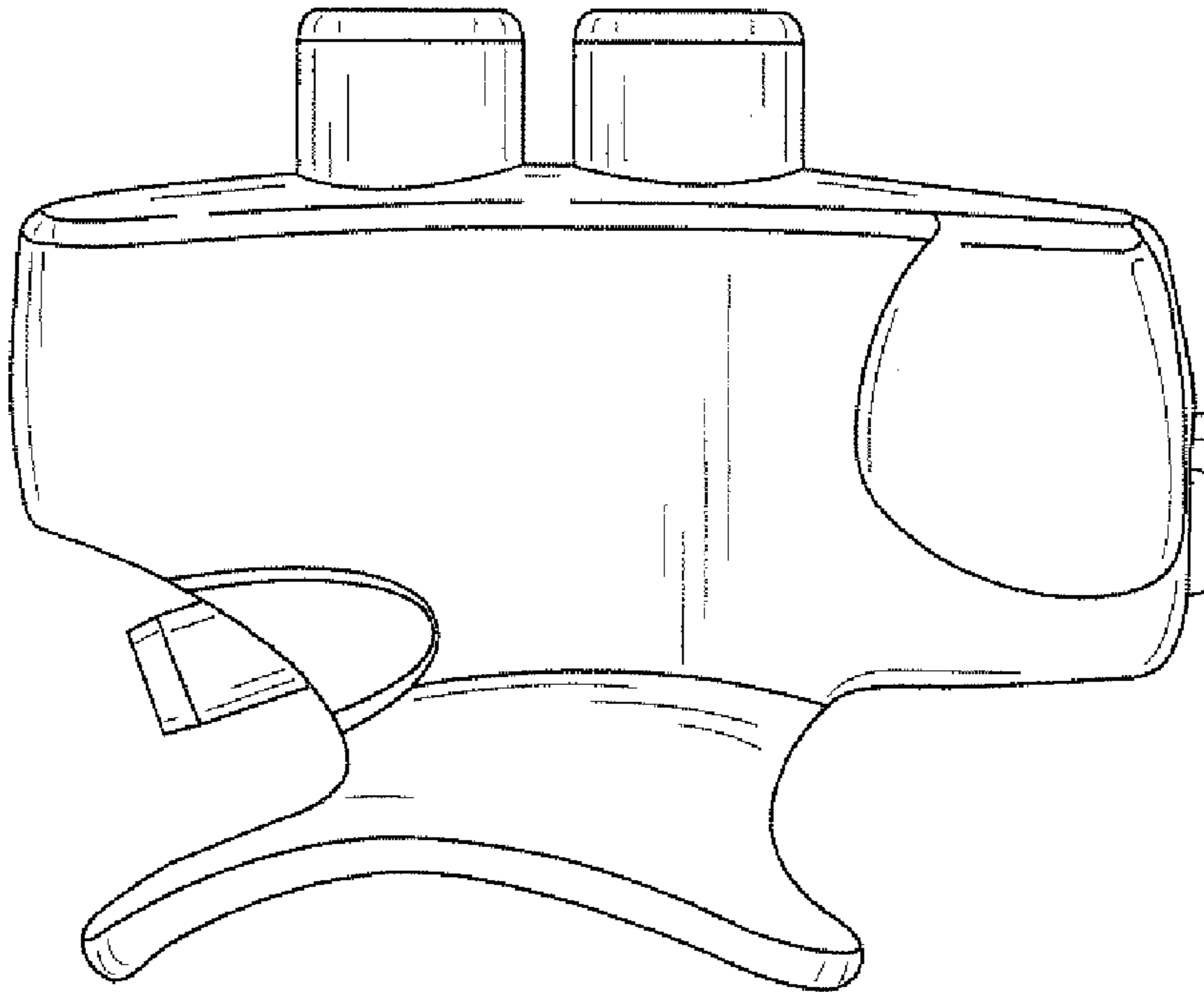


FIG. 2

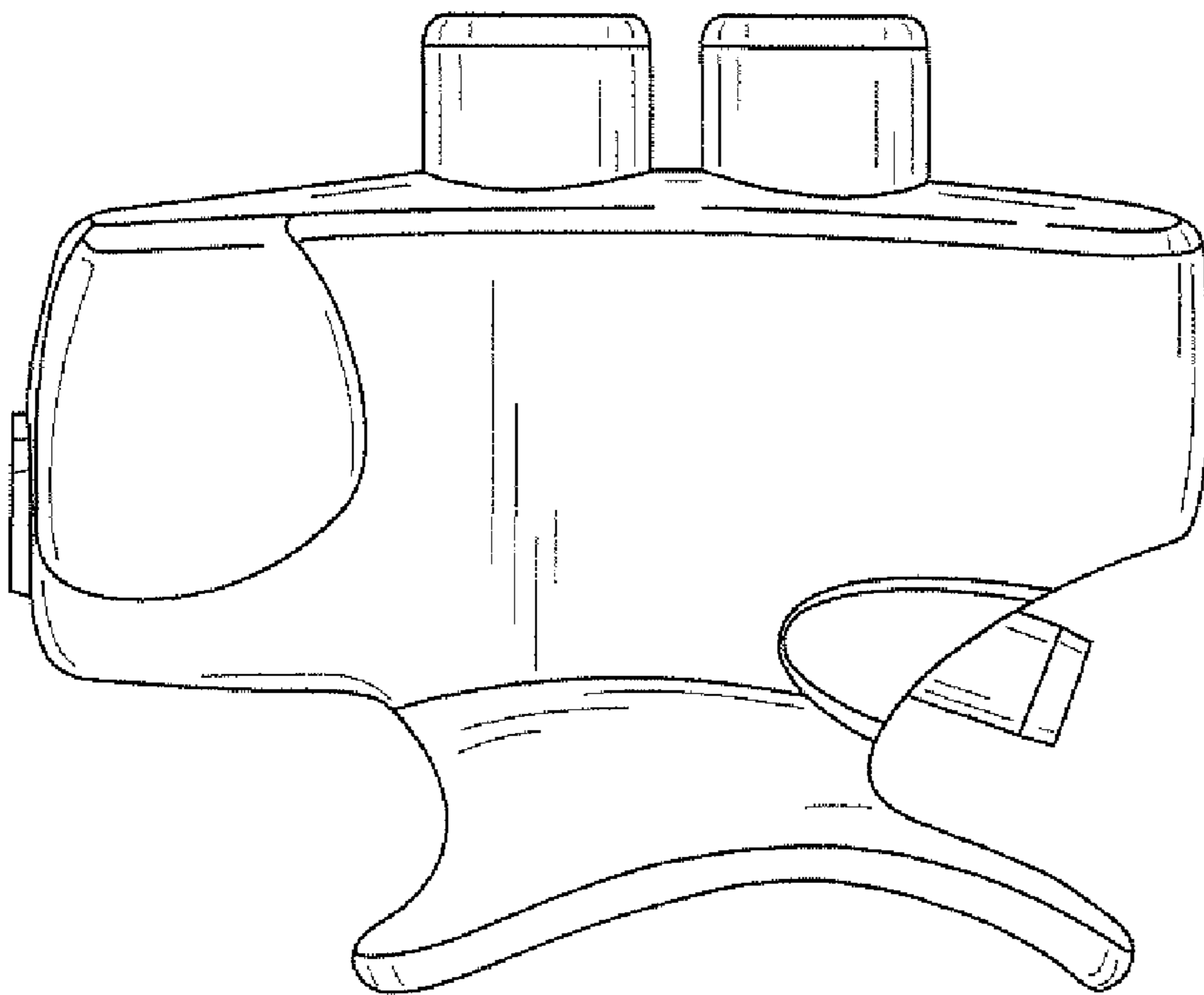


FIG. 3

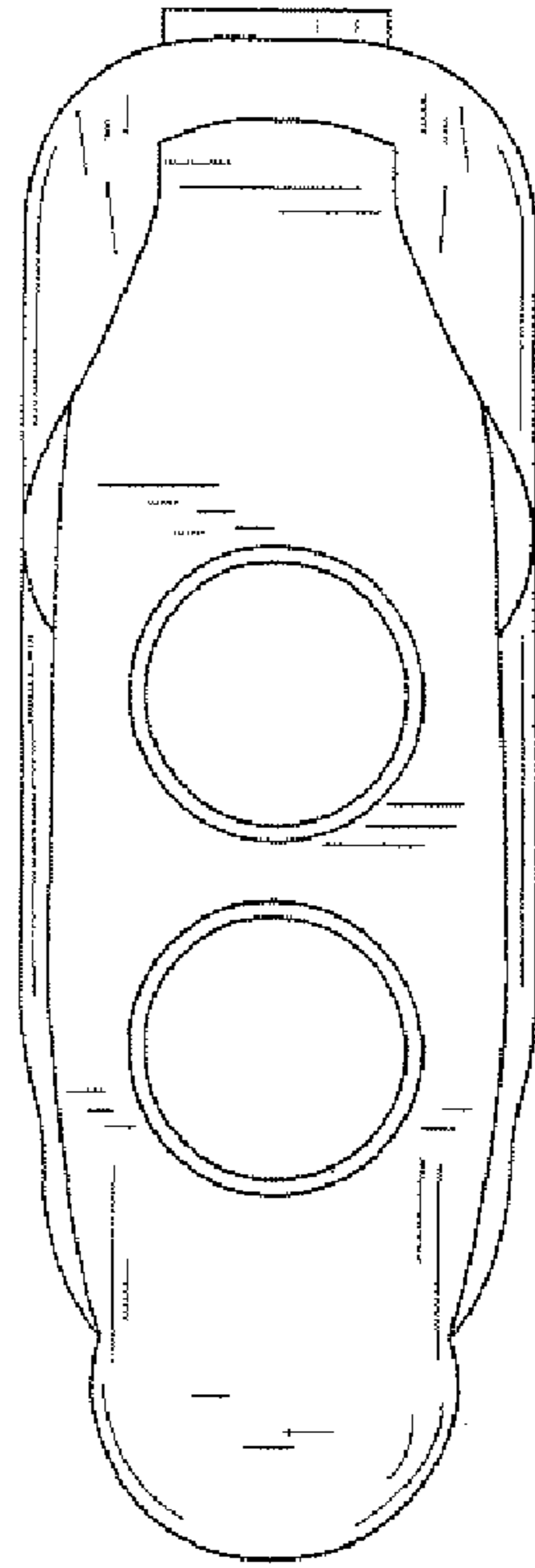


FIG. 4

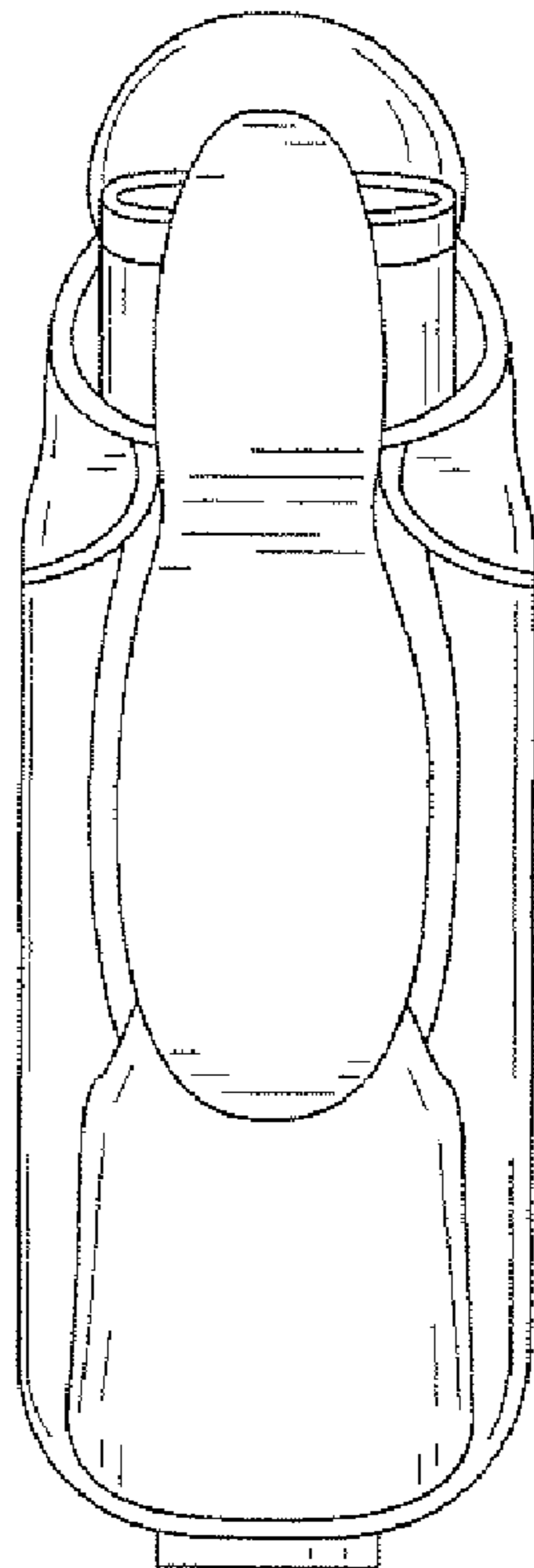


FIG. 5

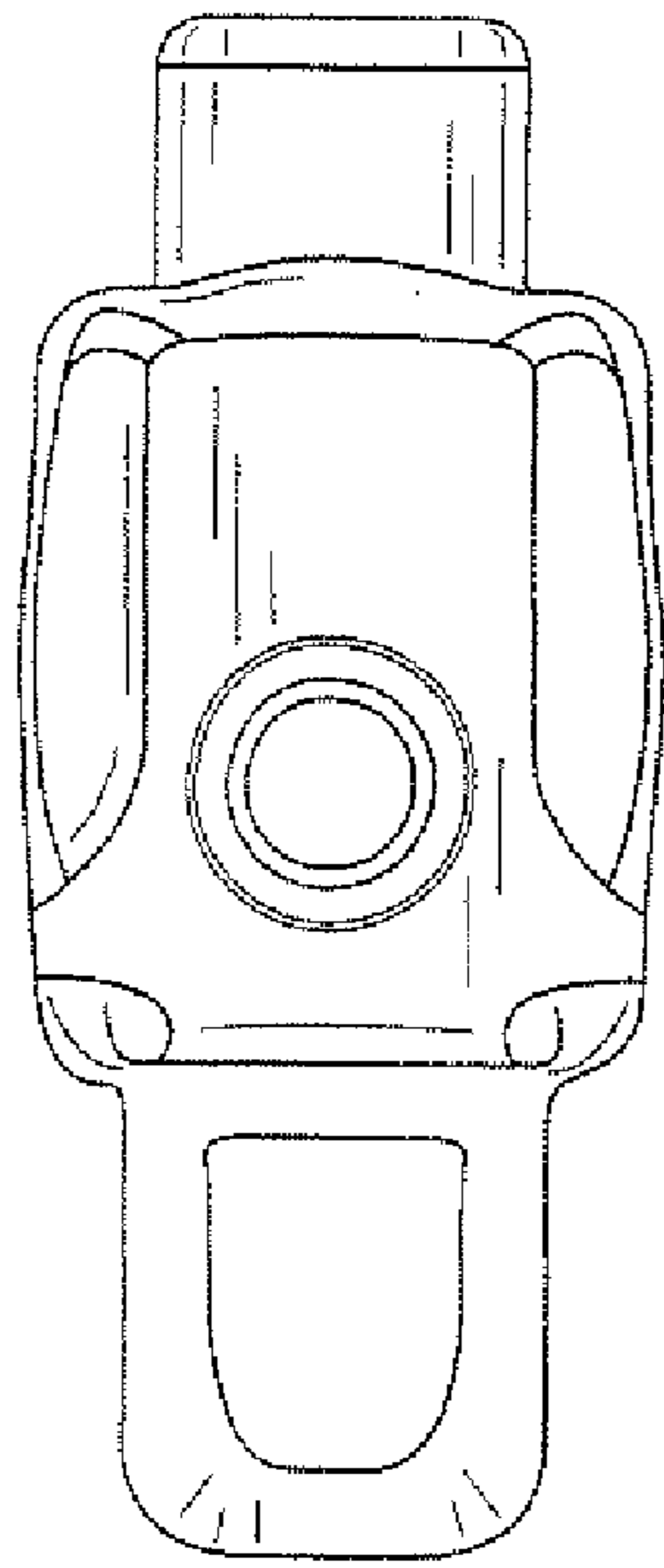


FIG. 6

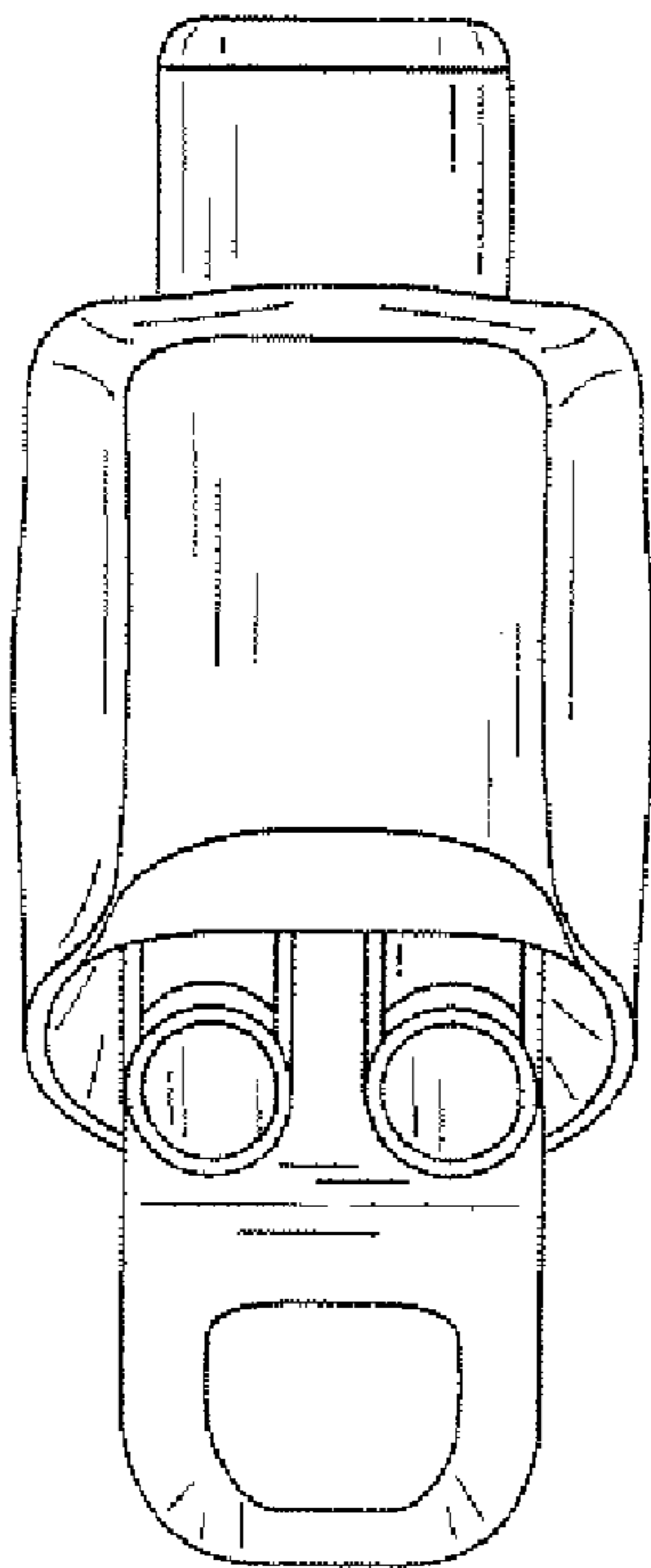


FIG. 7